



US00D824378S

(12) **United States Design Patent**
Sukphisit et al.

(10) **Patent No.:** **US D824,378 S**

(45) **Date of Patent:** **** Jul. 31, 2018**

(54) **COMBINED DASHBOARD MOUNT AND
HOLDER FOR MOBILE DEVICES**

(71) Applicant: **IOTTIE, INC.**, New York, NY (US)
(72) Inventors: **Phisitsuk Paul Sukphisit**, Englewood,
NJ (US); **Jeremy Leeds-Frank**, Glen
Head, NY (US)
(73) Assignee: **IOTTIE, INC.**, New York, NY (US)
(**) Term: **15 Years**
(21) Appl. No.: **29/569,463**

(22) Filed: **Jun. 28, 2016**
(51) **LOC (11) Cl.** **14-03**
(52) **U.S. Cl.**
USPC **D14/253**
(58) **Field of Classification Search**
USPC D14/251–253, 447, 451, 452, 440, 434,
D14/458, 432, 439, 457, 460, 238.1, 140,
D14/142, 149, 217, 148, 140.8, 140.11,
D14/209.1, 151, 140.9, 250, 238;
D13/107, 108; D12/415, 223, 114, 420,
D12/417, 407, 177; D3/218;
D16/242–245, 250, 237, 203, 214, 219;
D6/675, 672, 673, 675.4, 553, 676, 310,
D6/406.3, 406.4, 406.5, 406.6, 407, 567,
D6/300, 682.3; 248/459, 460; 224/483
CPC B60R 2011/0008; B60R 11/02; B60R
11/0241; B60R 11/0258; B60R 11/0252;
B60R 2011/0294; F16M 11/00; F16M
11/04; F16M 11/041; F16M 11/02; F16M
11/06; F16M 13/00; H04M 1/02; H04M
1/04; H04M 1/11; H04M 1/12; A47F
7/022; B62J 11/00; H05K 7/00; G03B
17/56

See application file for complete search history.

(56) **References Cited**

U.S. PATENT DOCUMENTS

D560,592	S	*	1/2008	Brassard	D12/415
D645,462	S	*	9/2011	Choi	D14/253
D655,282	S	*	3/2012	Richter	D14/253
D657,783	S	*	4/2012	Mo	D14/251
D704,199	S	*	5/2014	Byun	D14/447
D709,066	S	*	7/2014	Byun	D14/253
D715,790	S	*	10/2014	Conomos	D14/253
D733,116	S	*	6/2015	Aspinall	D14/253
D738,873	S	*	9/2015	Kim	D14/253
D748,615	S	*	2/2016	Lee	D14/251
D765,549	S	*	9/2016	Khodapanah	D12/114
D778,713	S	*	2/2017	McSweyn	D12/415
2012/0168581	A1	*	7/2012	Cheng	F16M 11/041 248/206.2

* cited by examiner

Primary Examiner — Janice Hallmark
(74) *Attorney, Agent, or Firm* — Lucas & Mercanti, LLP

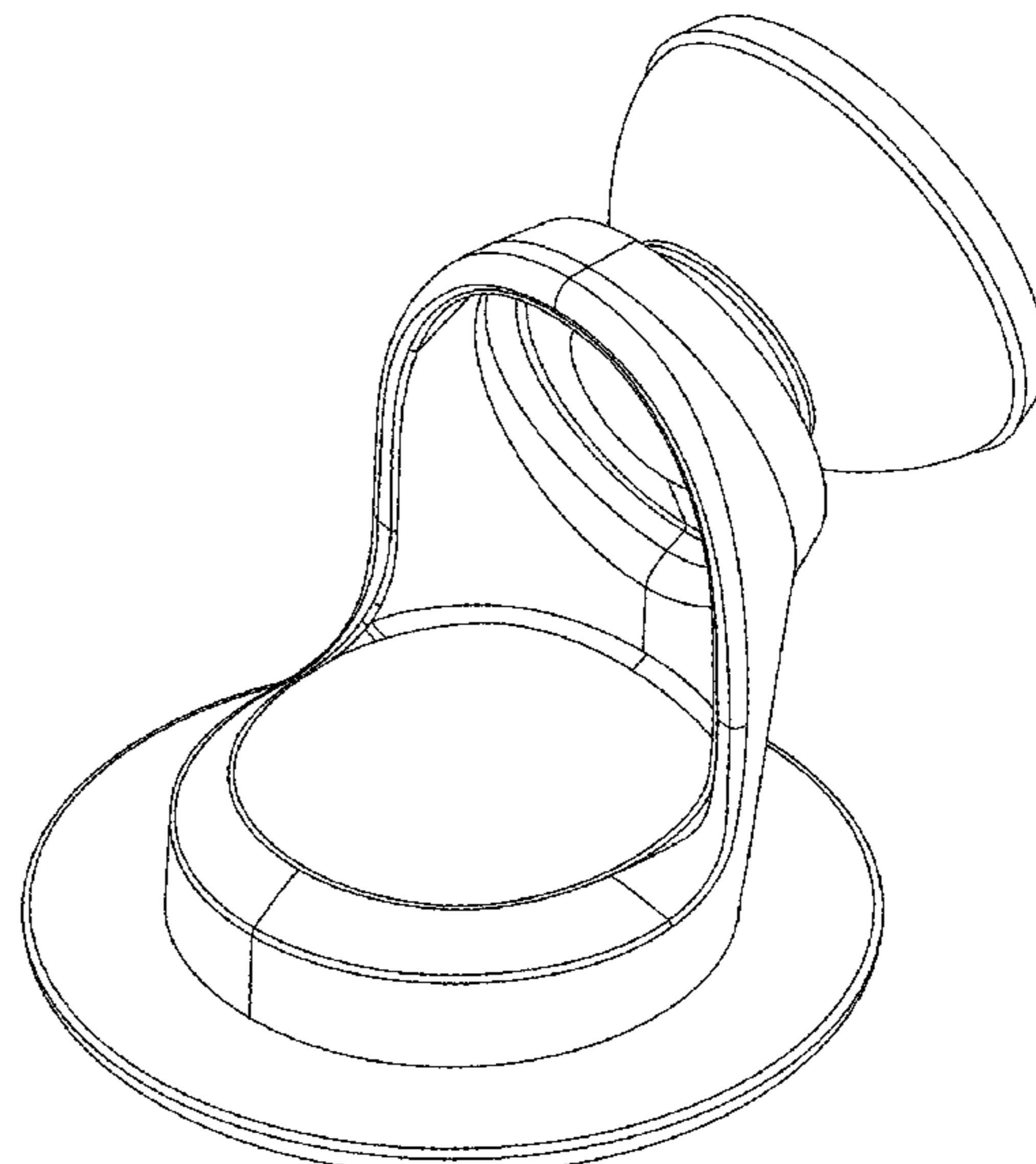
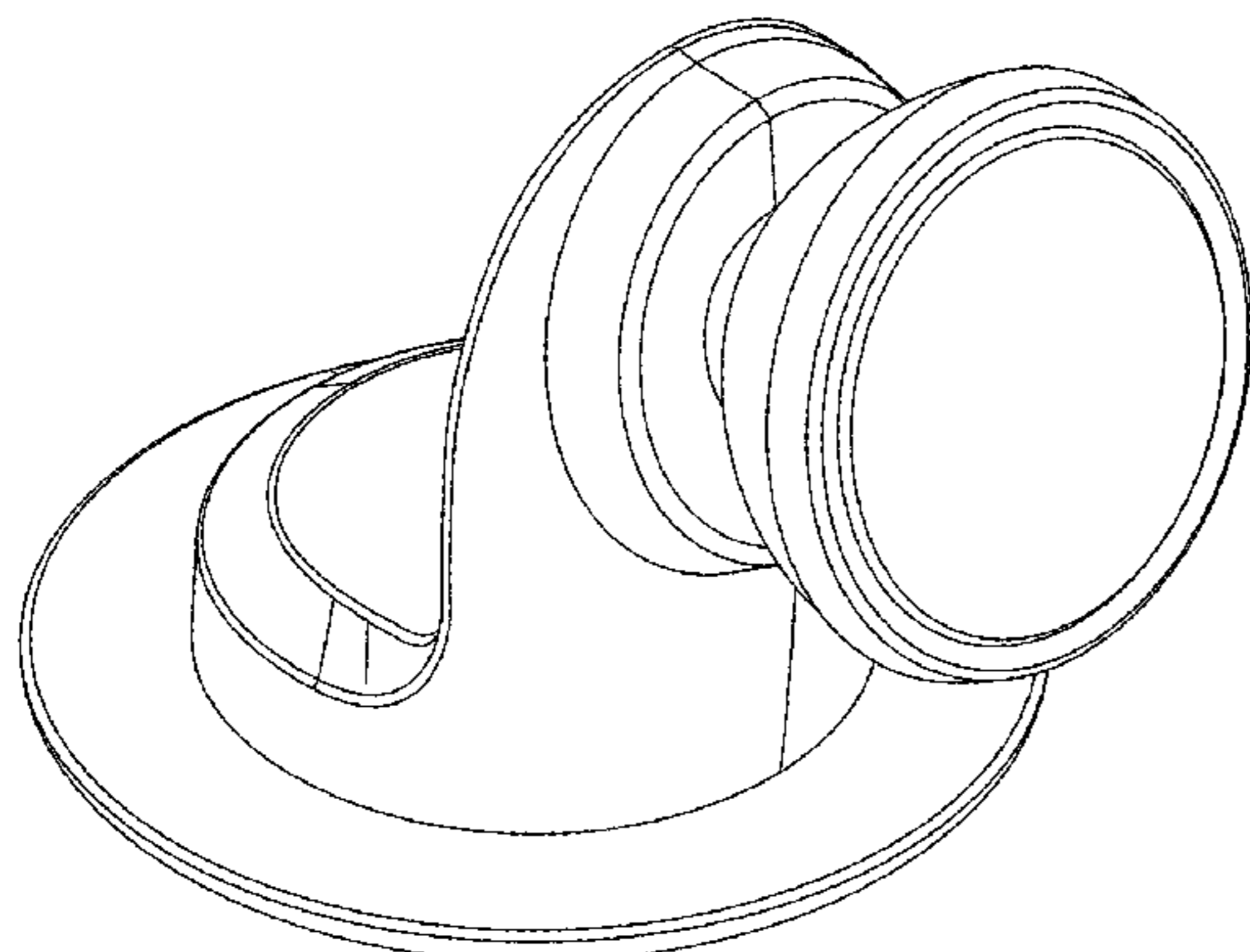
(57) **CLAIM**

The ornamental design for combined dashboard mount and holder for mobile devices, as shown and described.

DESCRIPTION

FIG. 1 is a front isometric view of a combined dashboard mount and holder for mobile devices showing our new design;
FIG. 2 is a rear isometric view thereof;
FIG. 3 is a top view thereof;
FIG. 4 is a front view thereof;
FIG. 5 is a rear view thereof;
FIG. 6 is a left side view thereof;
FIG. 7 is a right side view thereof; and,
FIG. 8 is a bottom view thereof.
The broken lines in the drawings depict parts of the combined dashboard mount and holder for mobile devices that form no part of the claimed design.

1 Claim, 8 Drawing Sheets



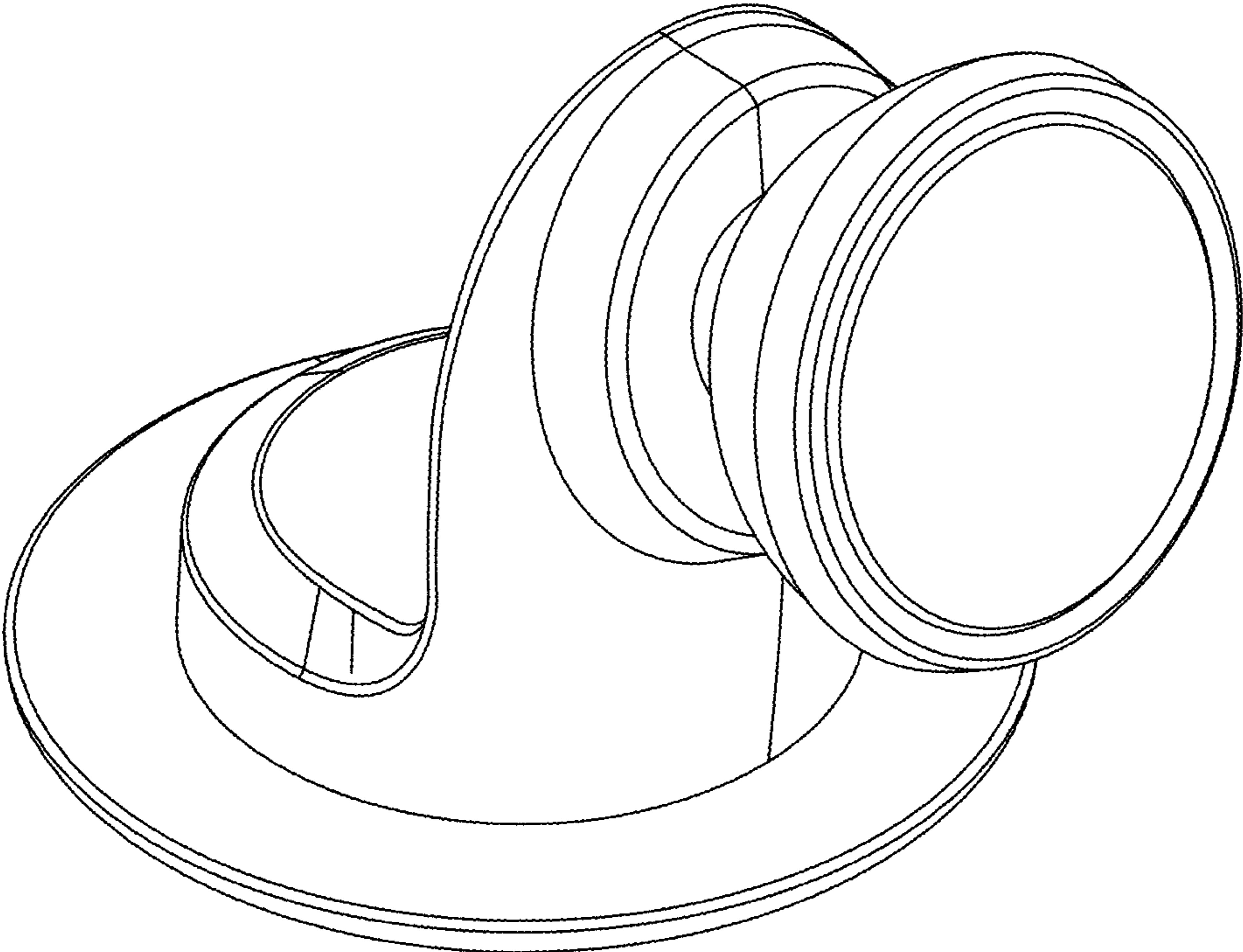


FIG. 1

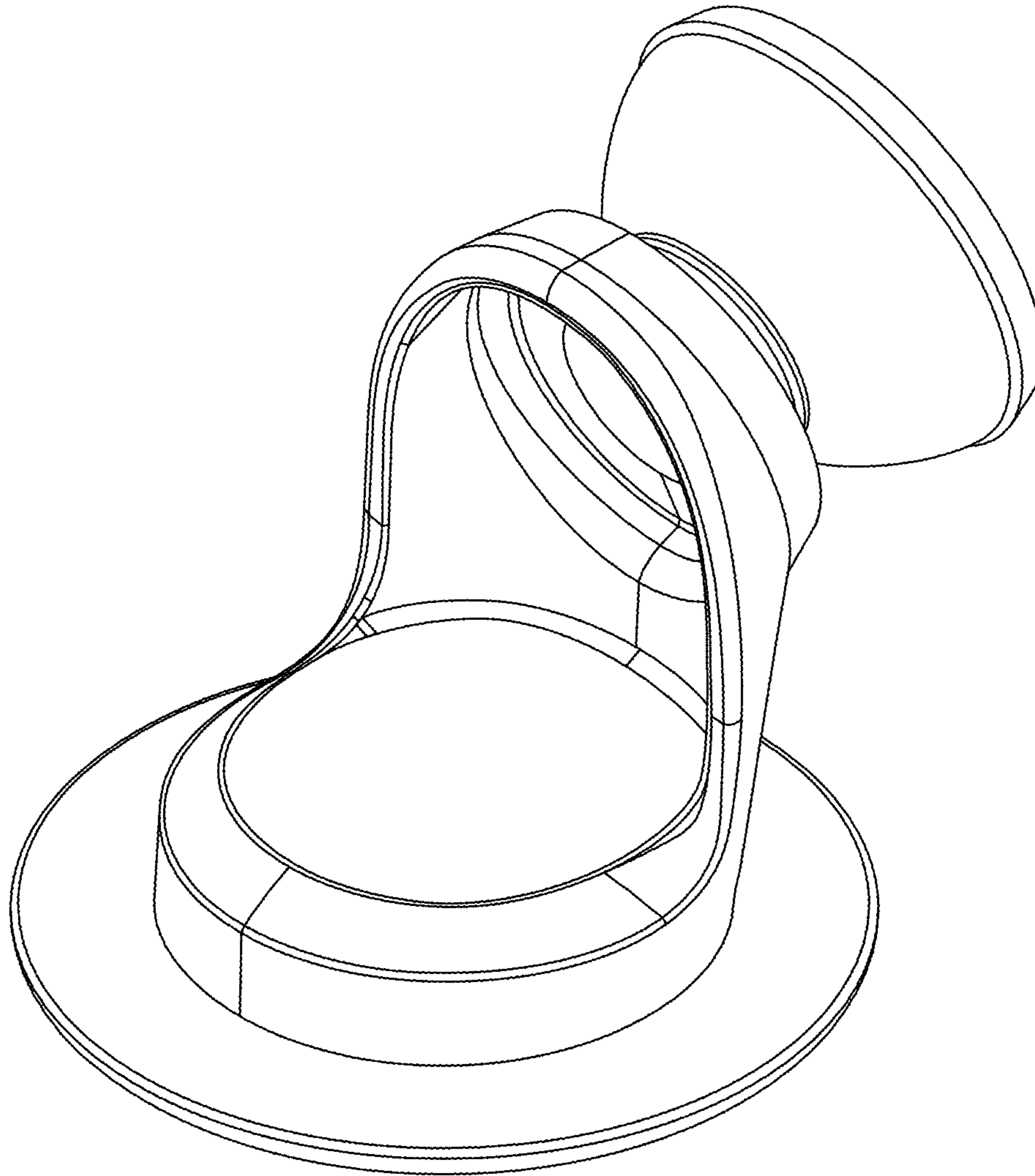


FIG. 2

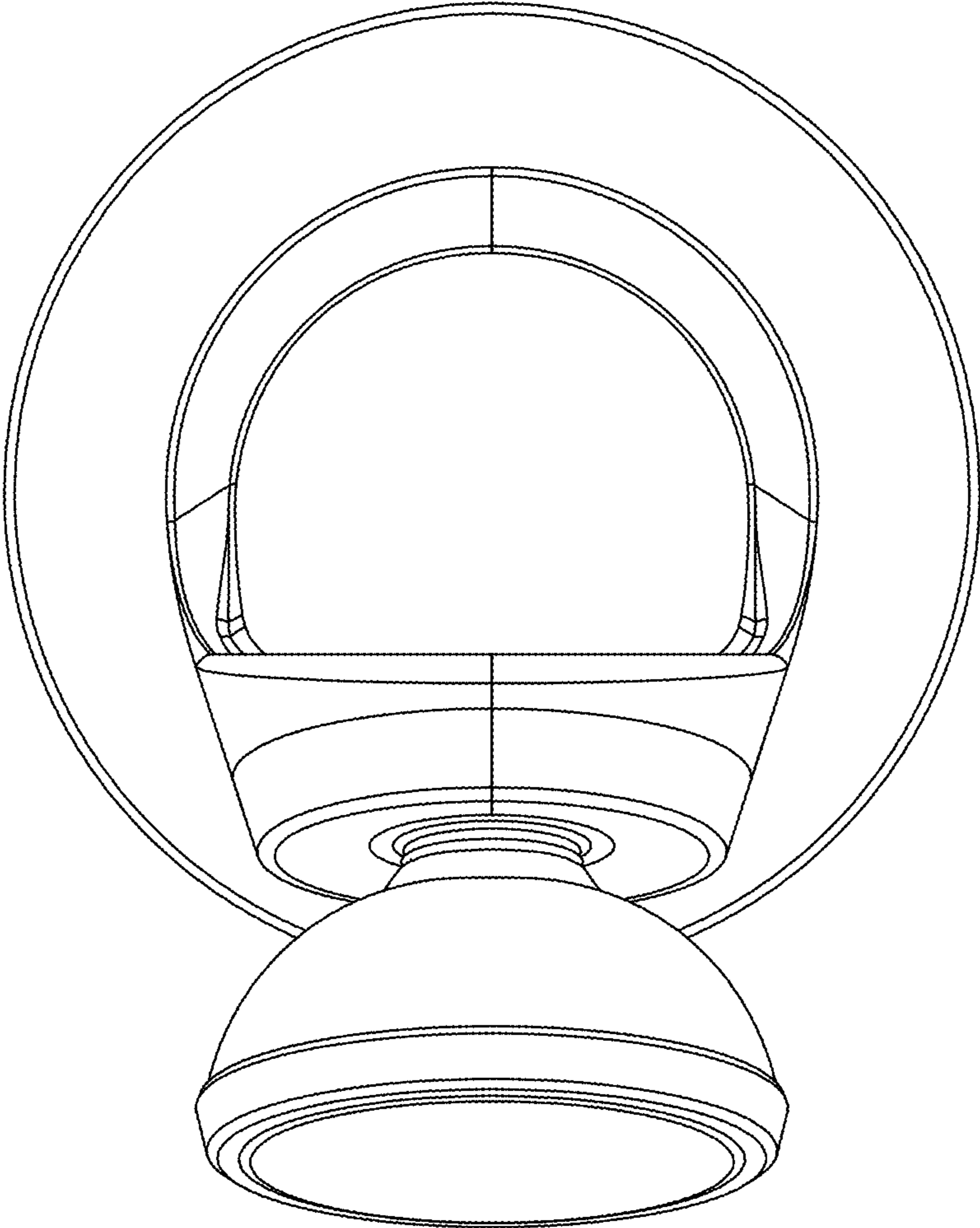


FIG. 3

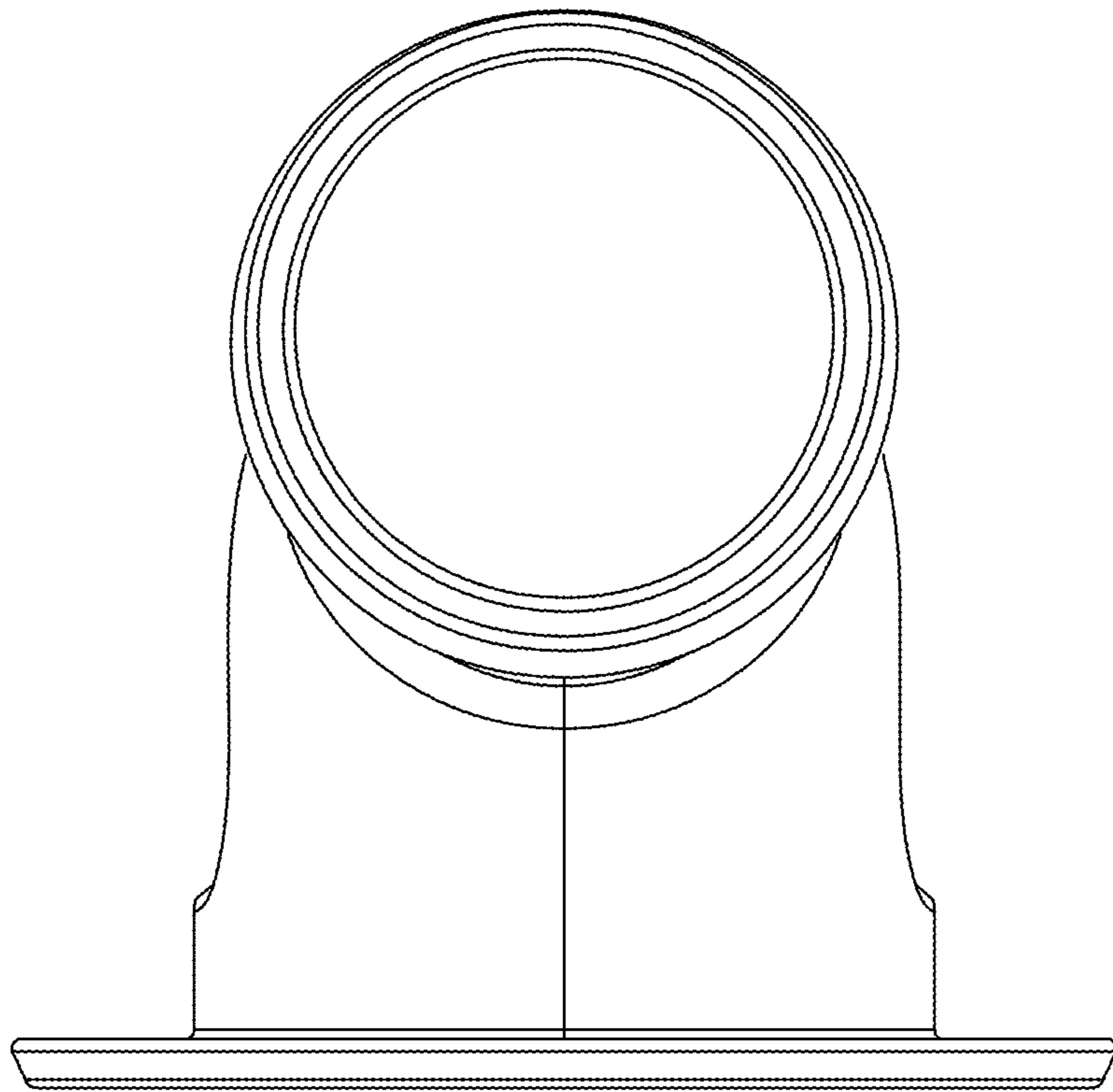


FIG. 4

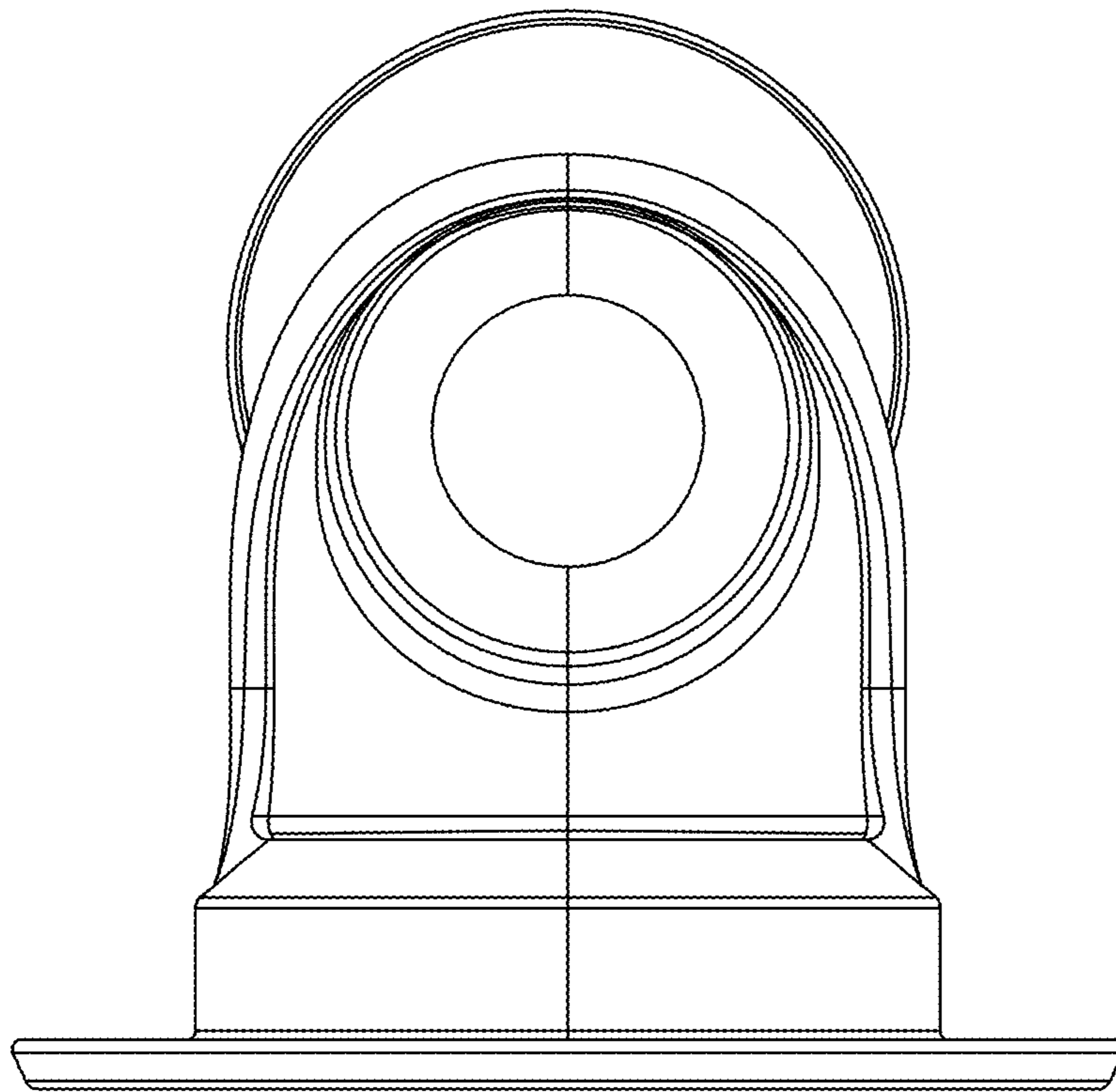


FIG. 5

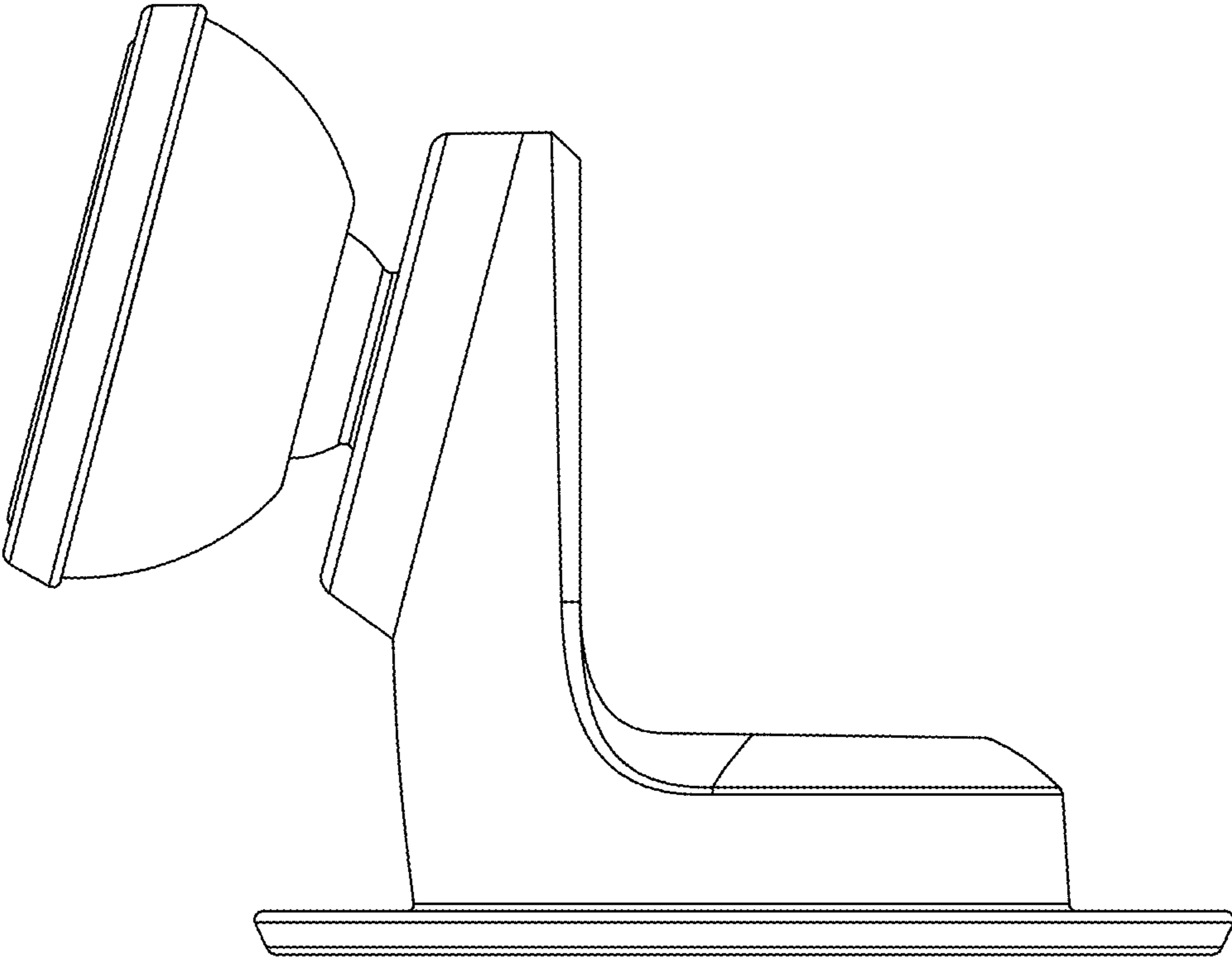


FIG. 6

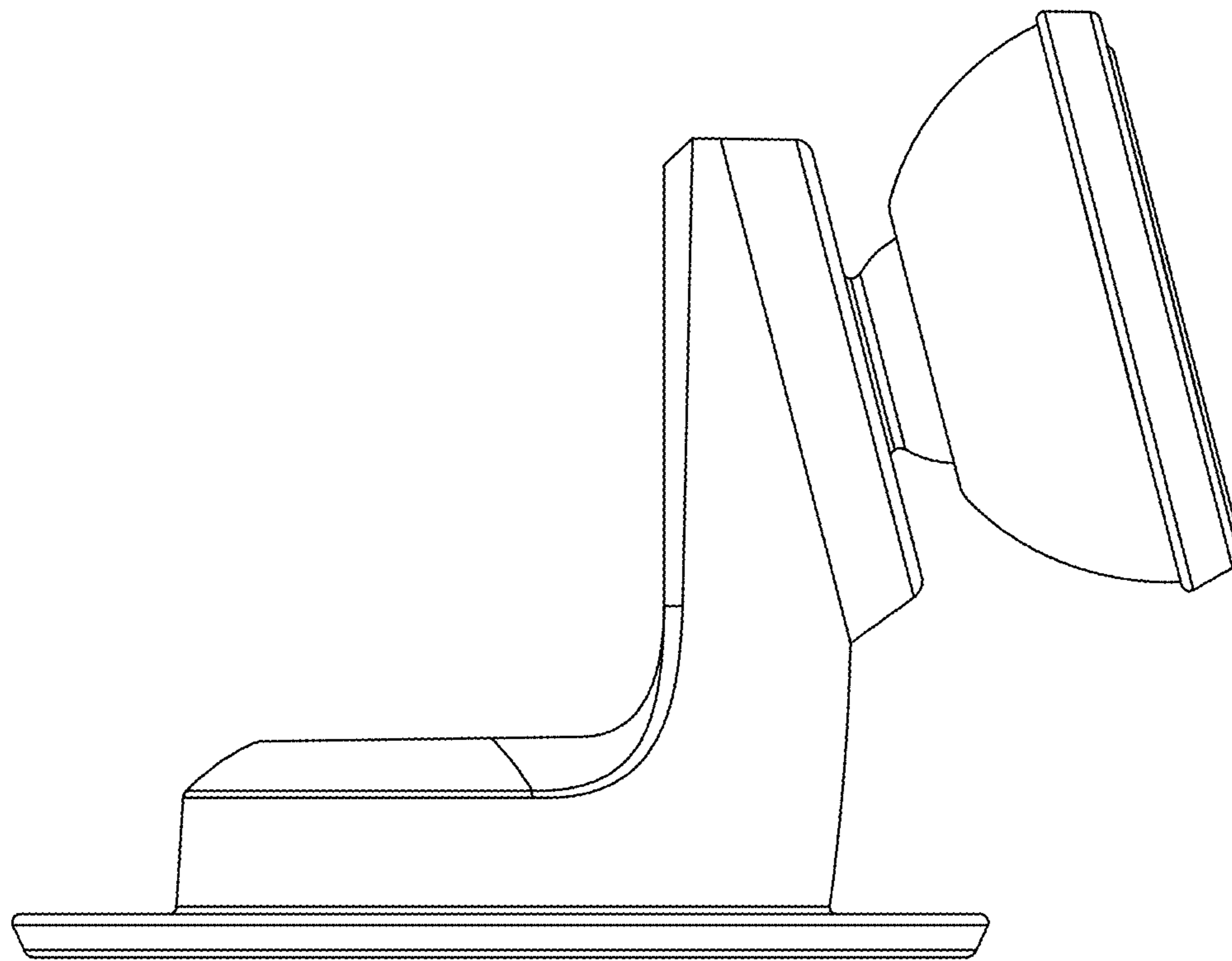


FIG. 7

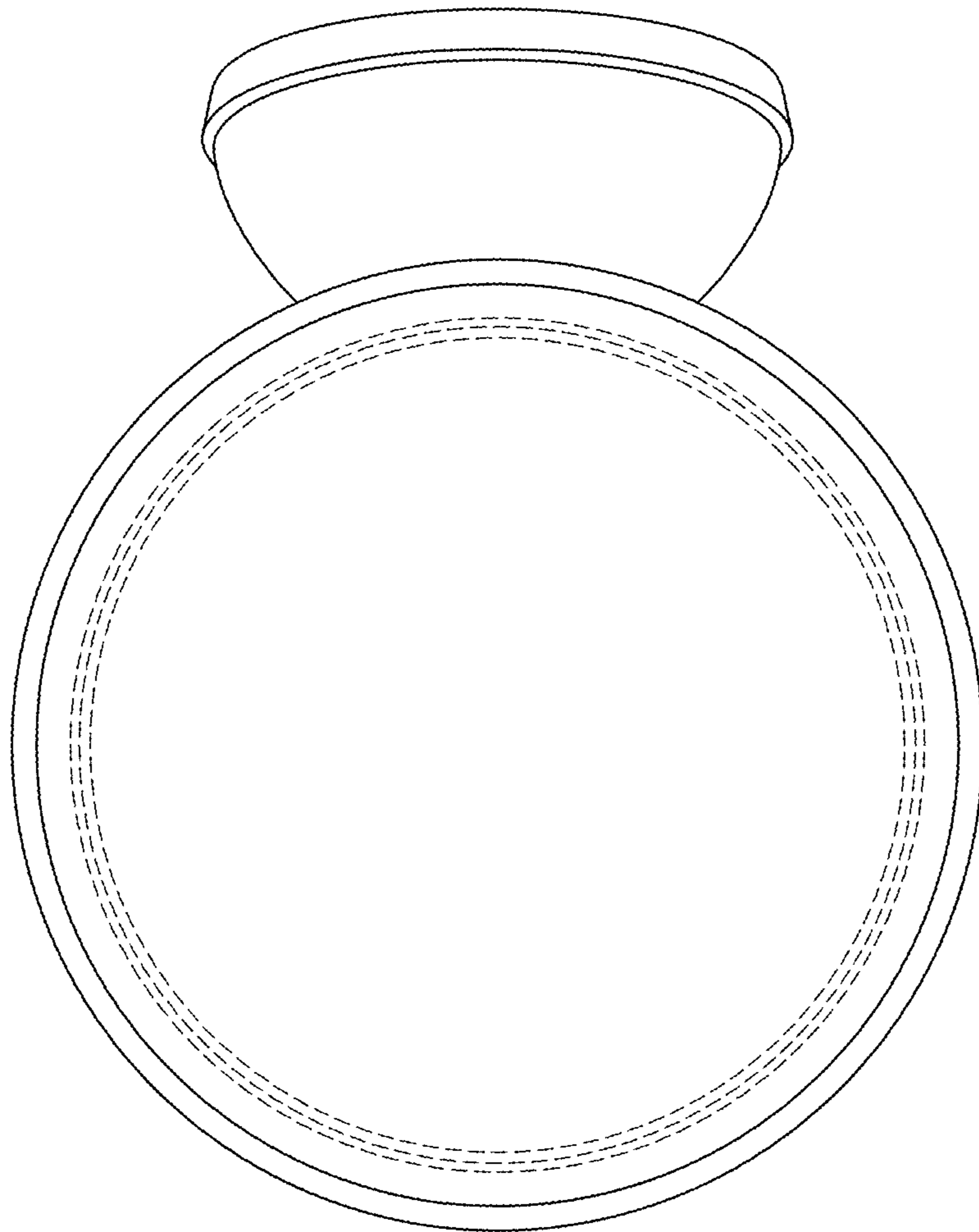


FIG. 8