



US00D824377S

(12) **United States Design Patent**
Kim et al.

(10) **Patent No.:** **US D824,377 S**
(45) **Date of Patent:** **** Jul. 31, 2018**

- (54) **CASE FOR ELECTRONIC COMMUNICATIONS DEVICE**
- (71) Applicants: **Dae-Young Kim**, Seoul (KR); **Bum Joon Lee**, Seoul (KR)
- (72) Inventors: **Dae-Young Kim**, Seoul (KR); **Bum Joon Lee**, Seoul (KR)
- (73) Assignee: **SPIGEN KOREA CO., LTD.**, Seoul (KR)
- (**) Term: **15 Years**
- (21) Appl. No.: **29/575,546**
- (22) Filed: **Aug. 25, 2016**
- (51) **LOC (11) Cl.** **14-03**
- (52) **U.S. Cl.**
USPC **D14/250**
- (58) **Field of Classification Search**
USPC D14/238.1, 440, 203.3–203.7, 217, 240, D14/447, 250, 248, 251–253; D3/201,
(Continued)

(56) **References Cited**

U.S. PATENT DOCUMENTS

- D88,029 S * 10/1932 Willheim D5/63
 - D88,231 S * 11/1932 Katzman D5/56
- (Continued)

OTHER PUBLICATIONS

“Iphone 7 Case Slim Armor.” <http://www.spigen.com/collections/iphone-7/products/iphone-7-case-slim-armor-1?variant=25562477185>, Downloaded Aug. 26, 2016. 3Page.

Primary Examiner — Carla J Wright

(74) *Attorney, Agent, or Firm* — Heedong Chae; Lucem, PC

(57) **CLAIM**

The ornamental design for a case for electronic communications device, as shown and described.

DESCRIPTION

FIG. 1 is a front perspective view of a case for electronic communications device showing my new design;

FIG. 2 is a rear perspective view thereof;
 FIG. 3 is a front elevational view thereof;
 FIG. 4 is a rear elevational view thereof;
 FIG. 5 is a left side elevational view thereof;
 FIG. 6 is a right side elevational view thereof;
 FIG. 7 is a top plan view thereof;
 FIG. 8 is a bottom plan view thereof;
 FIG. 9 is a rear perspective view thereof, showing the environmental support leg in an extended configuration;
 FIG. 10 is an exploded front perspective view thereof, showing the inner shell and outer frame separated for clarity of disclosure;
 FIG. 11 is an exploded rear perspective view thereof, showing the inner shell and outer frame separated for clarity of disclosure;
 FIG. 12 is a front perspective view of the inner shell component of the case shown separately for clarity of disclosure;
 FIG. 13 is a rear perspective view of the inner shell component of the case shown separately for clarity of disclosure;
 FIG. 14 is a front perspective view of the environmental support leg shown separately for clarity of disclosure;
 FIG. 15 is a rear perspective view of the environmental support leg shown separately for clarity of disclosure;
 FIG. 16 is a front perspective view of the outer frame component of the case shown separately for clarity of disclosure; and,
 FIG. 17 is a rear perspective view of the outer frame component of the case shown separately for clarity of disclosure.

The case for electronic communications device, in which the claimed design is embodied, consists of an inner shell and outer frame. The claim is directed to the ornamental appearance of the case for electronic communications device in its entirety and does not extend to the ornamental appearance of the individual components of the case for electronic communications device. The broken lines throughout the drawings depict environmental subject matter that forms no part of the claimed design. The interior of the case shown in FIGS. 1, 3, and 10 forms no part of the claimed design.

1 Claim, 17 Drawing Sheets

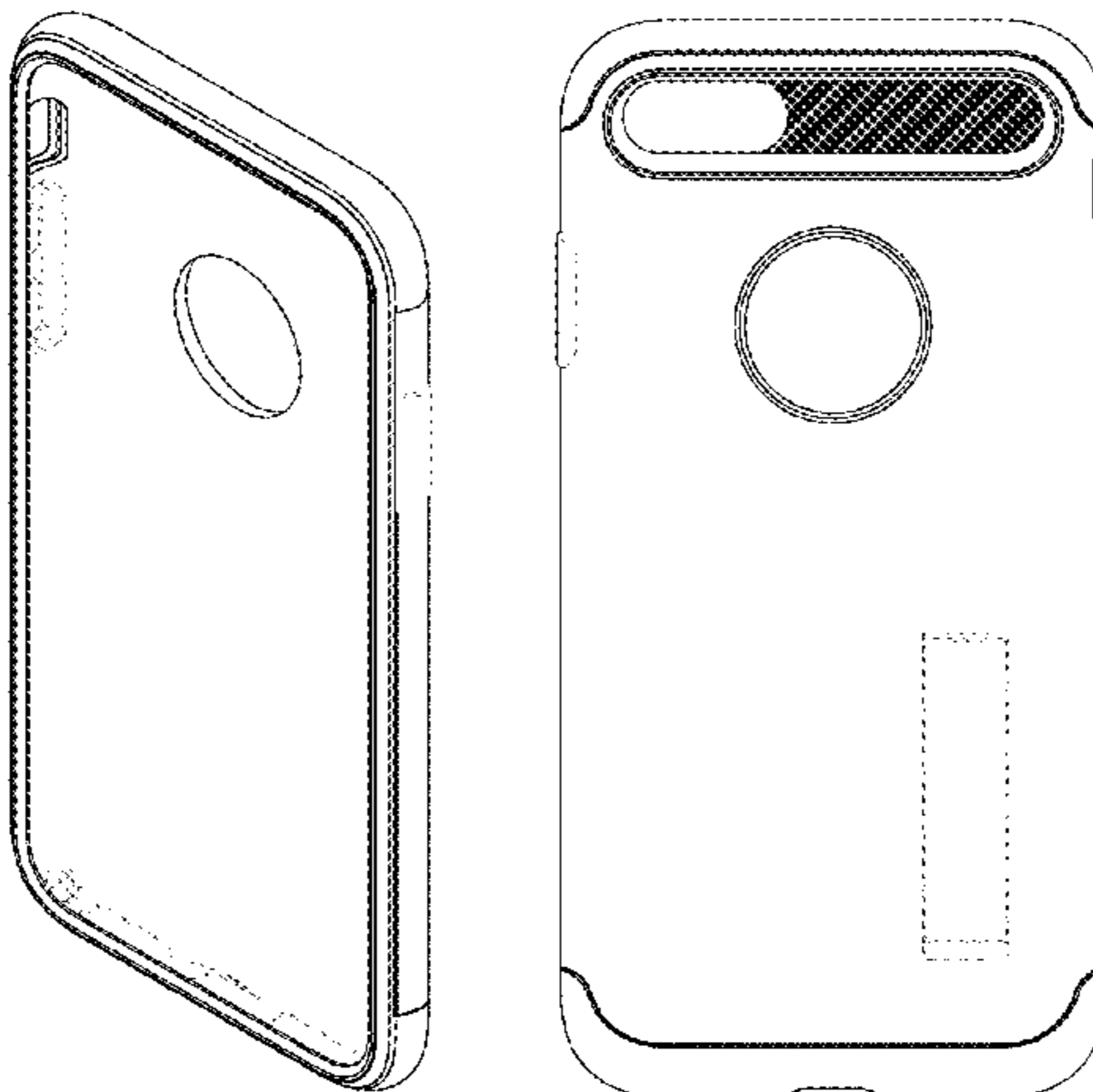


FIG. 1

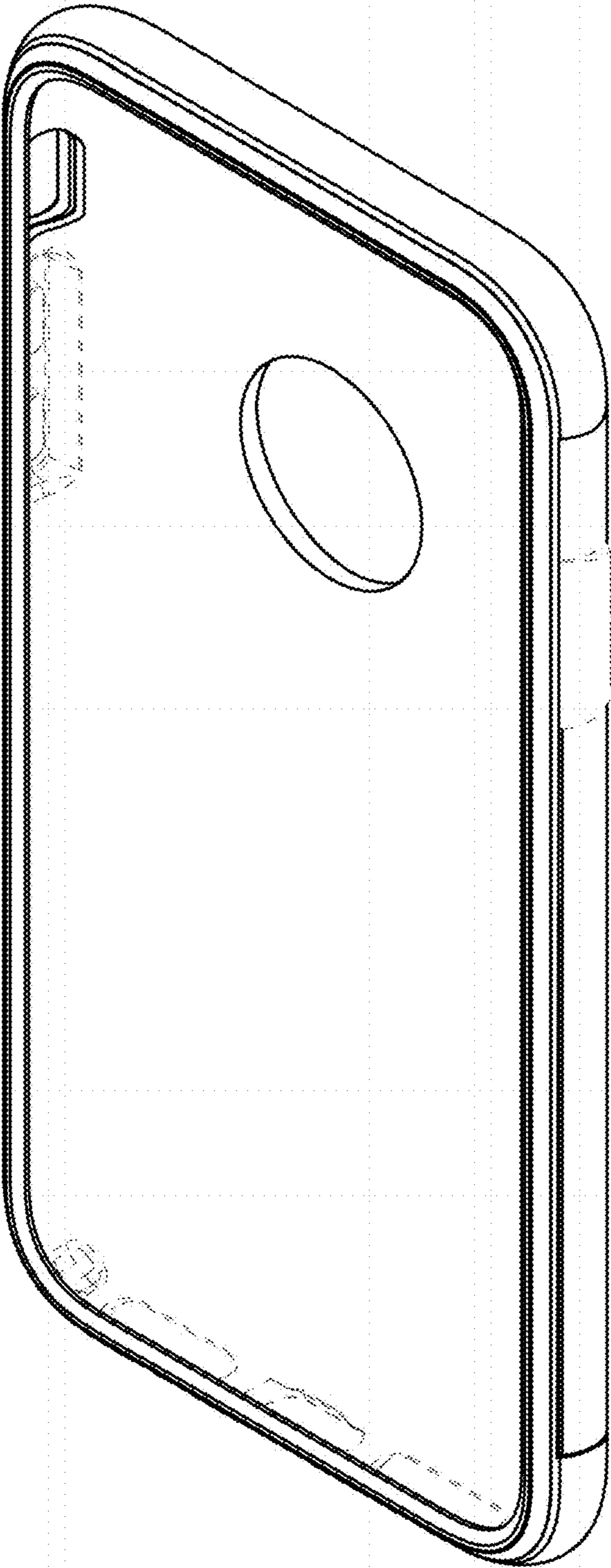


FIG. 2

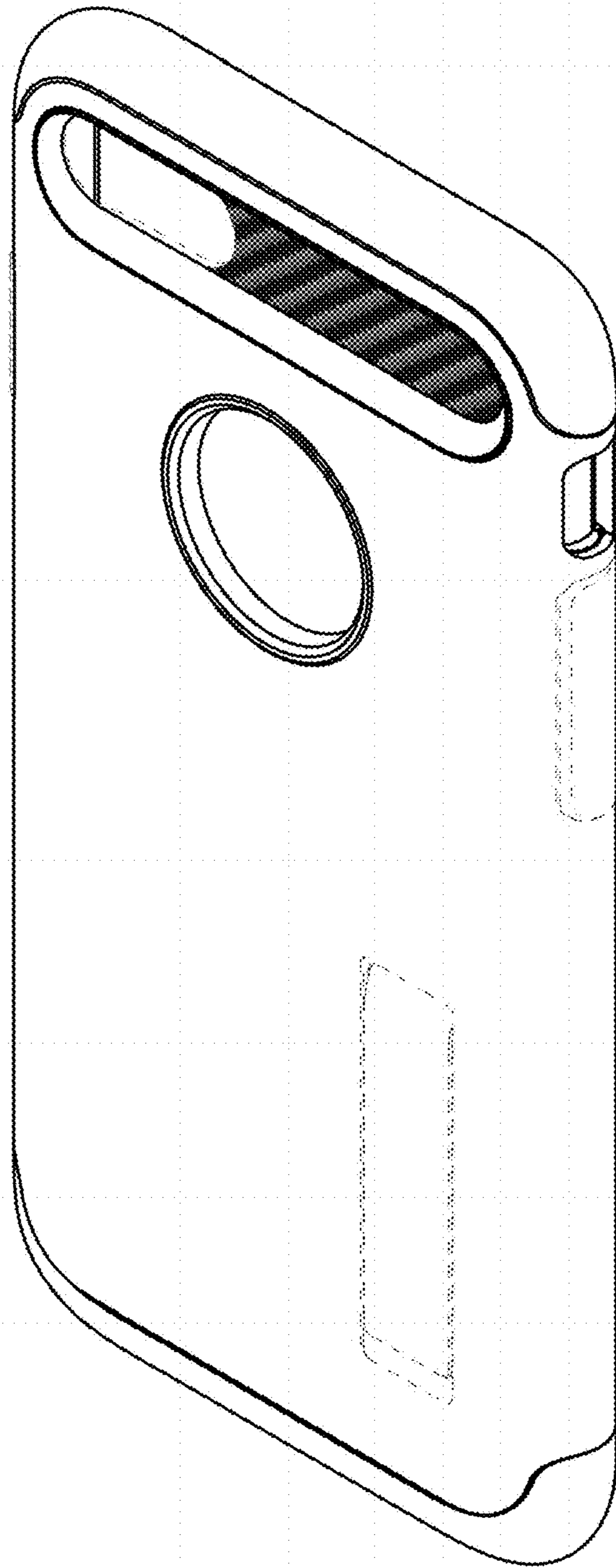


FIG. 3

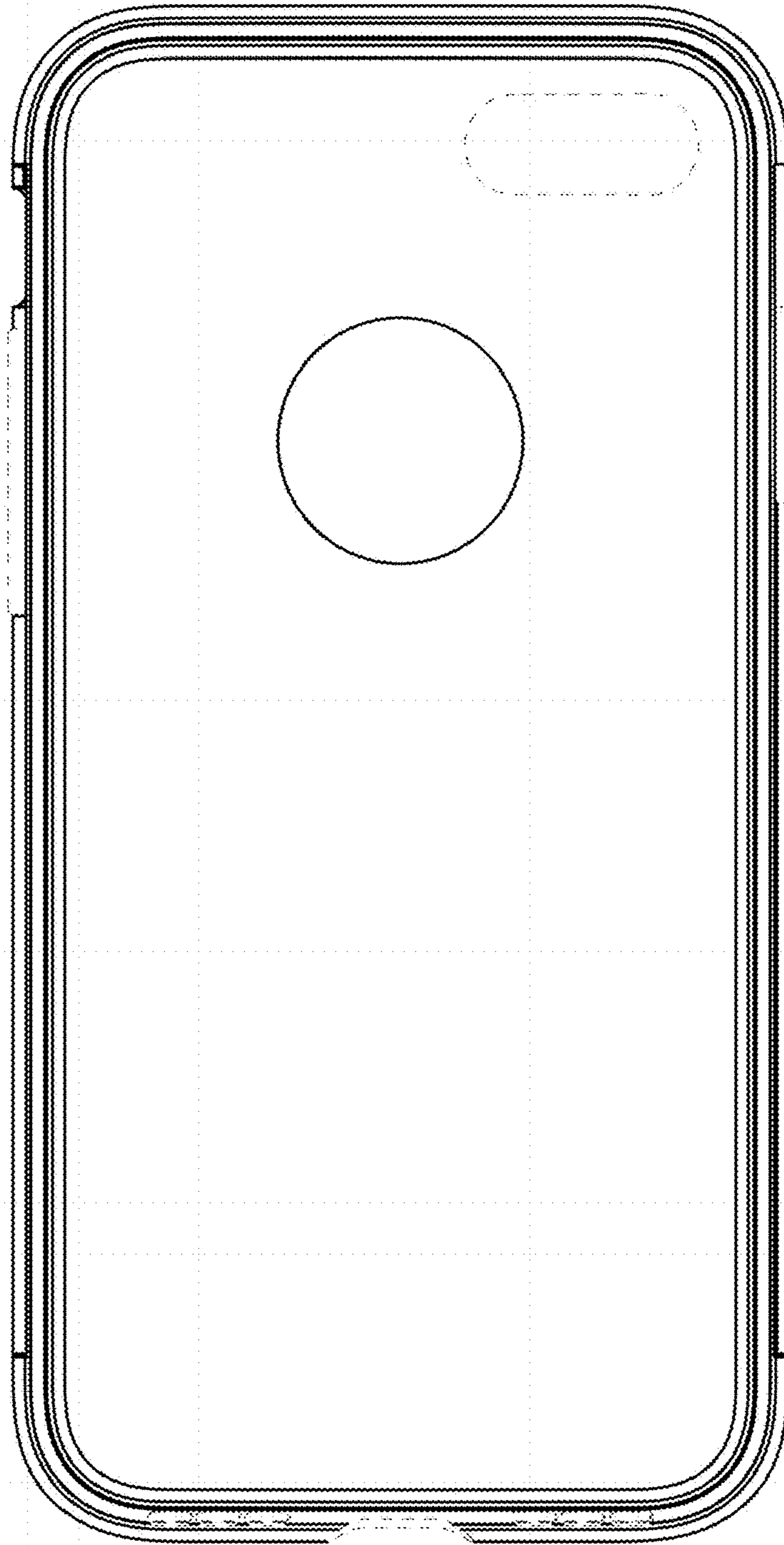


FIG. 4

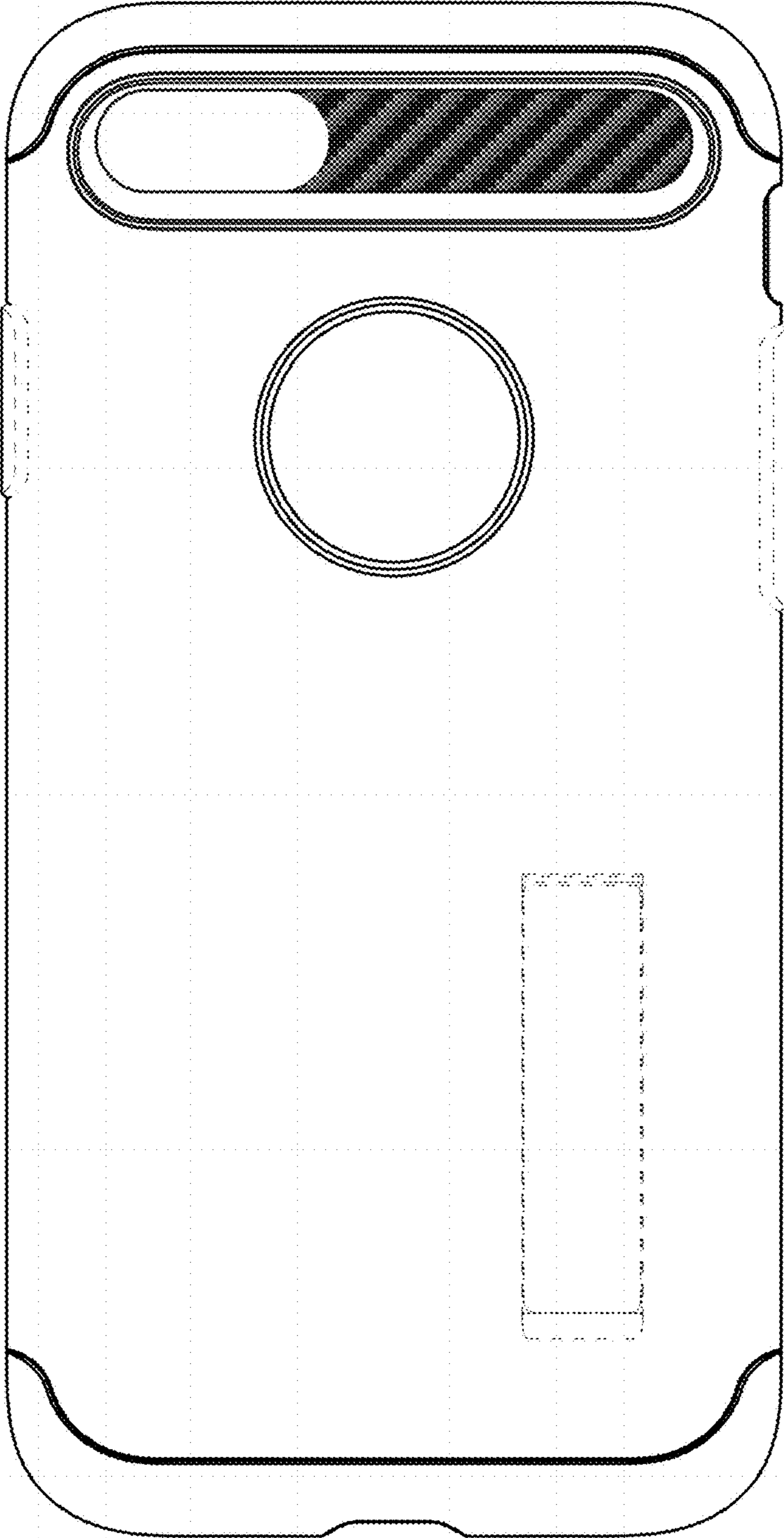


FIG. 5

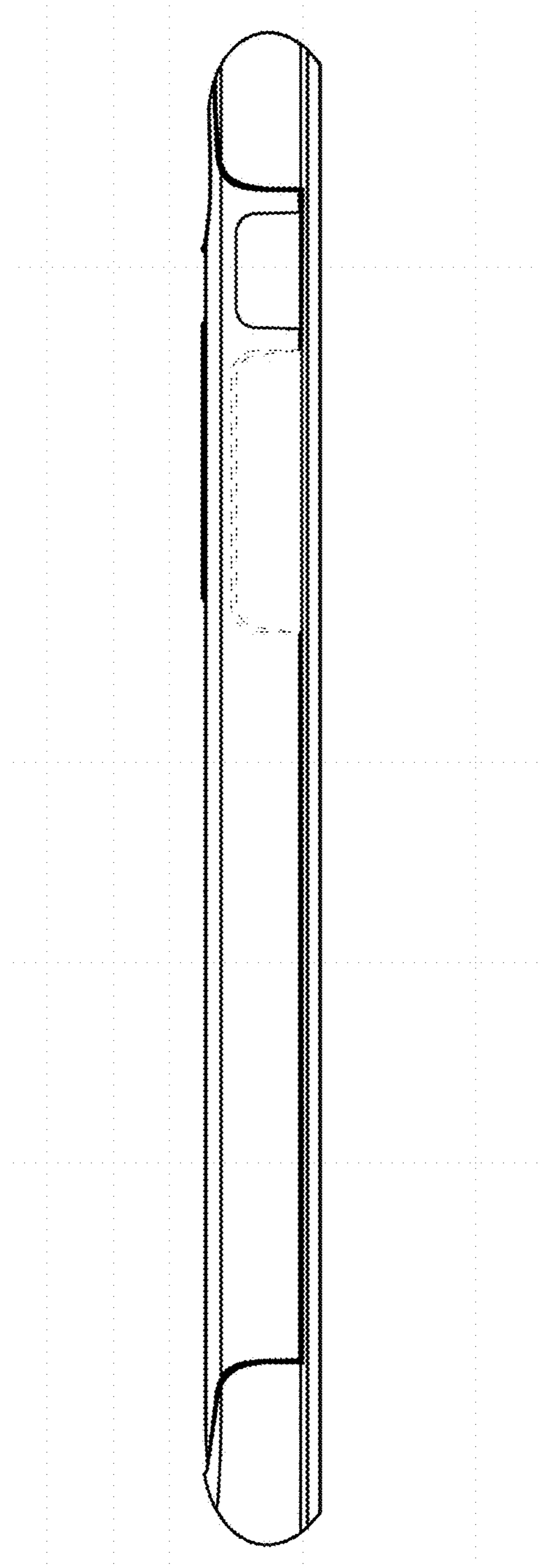


FIG. 6

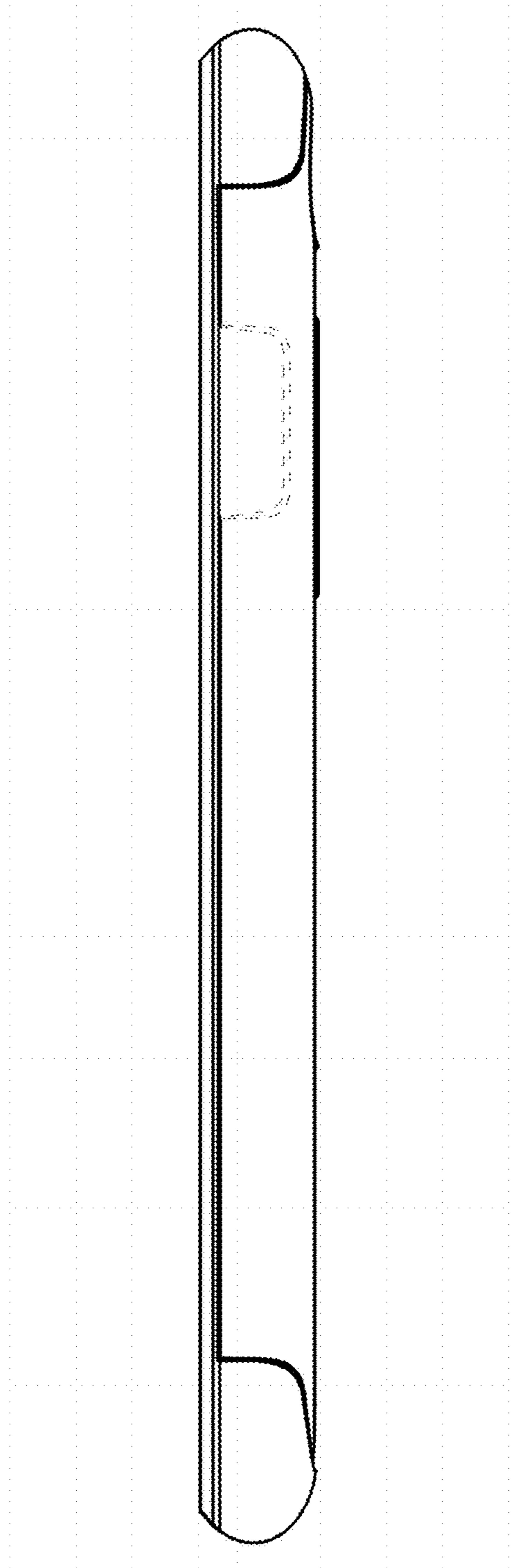


FIG. 7

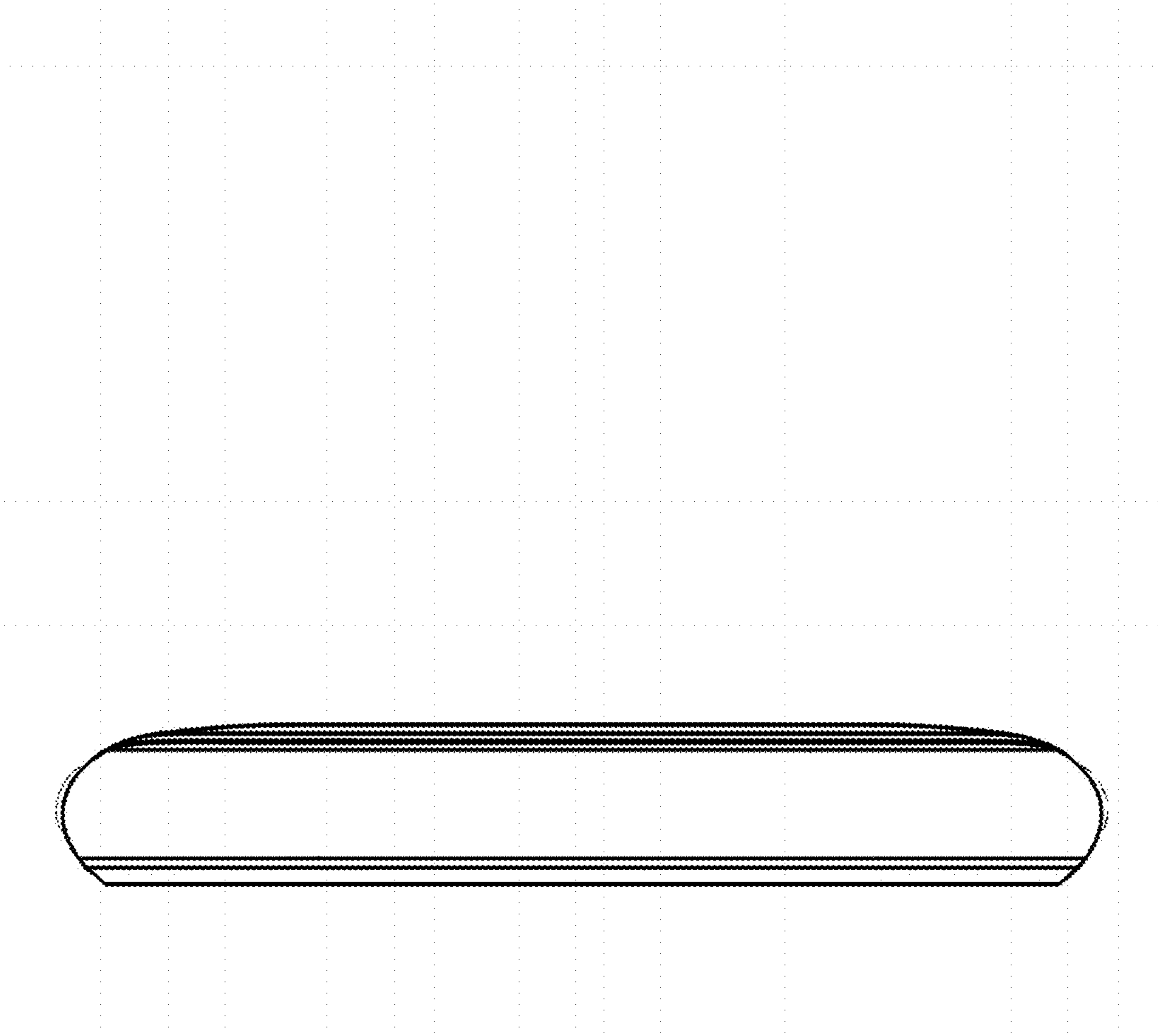


FIG. 8

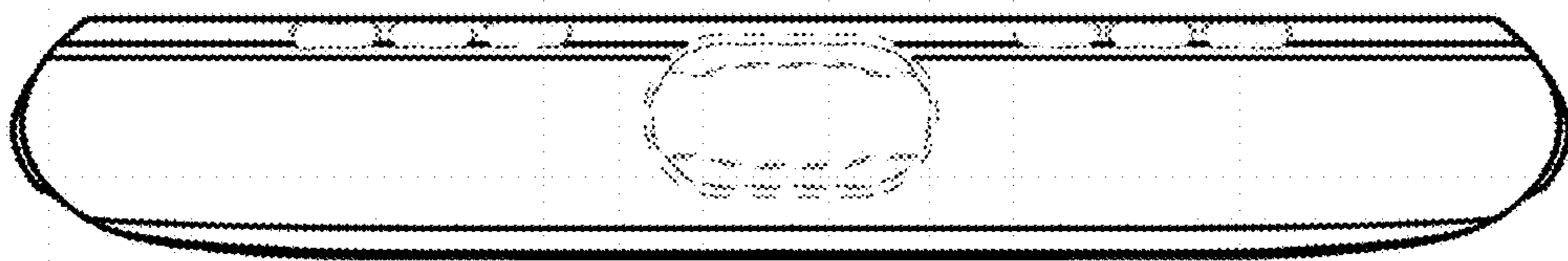


FIG. 9

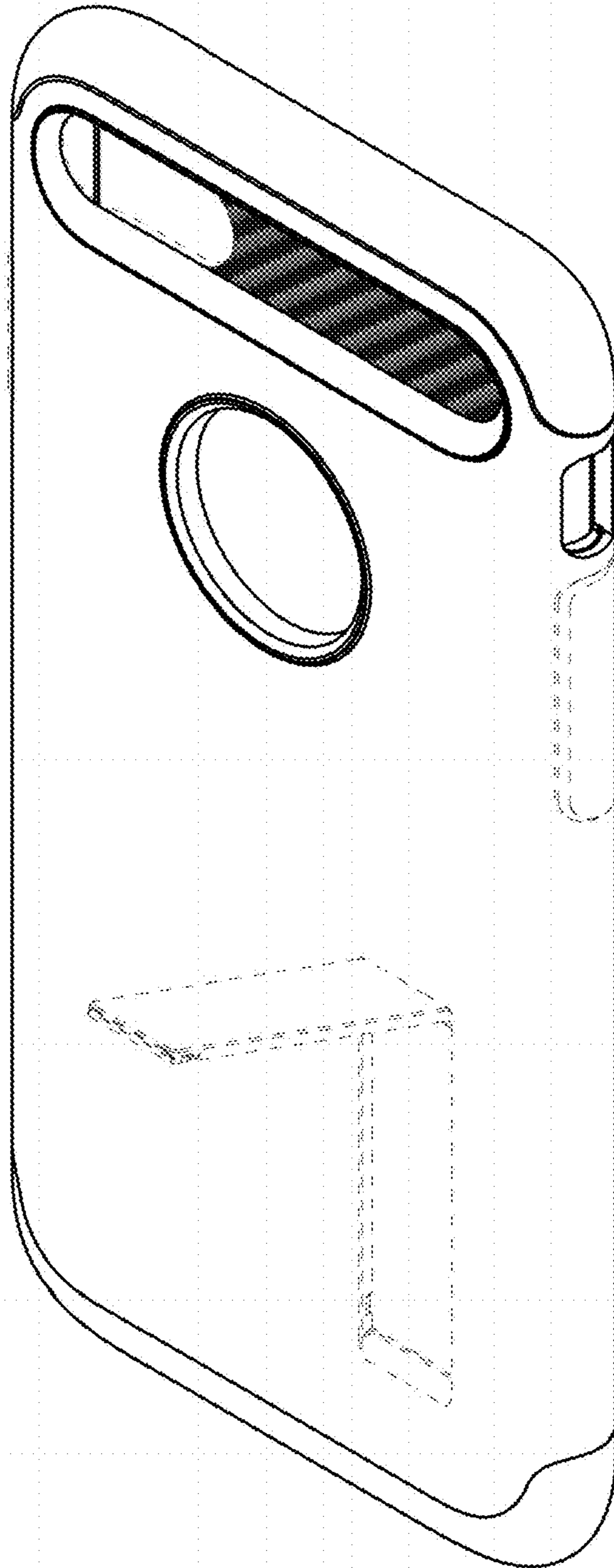


FIG. 10

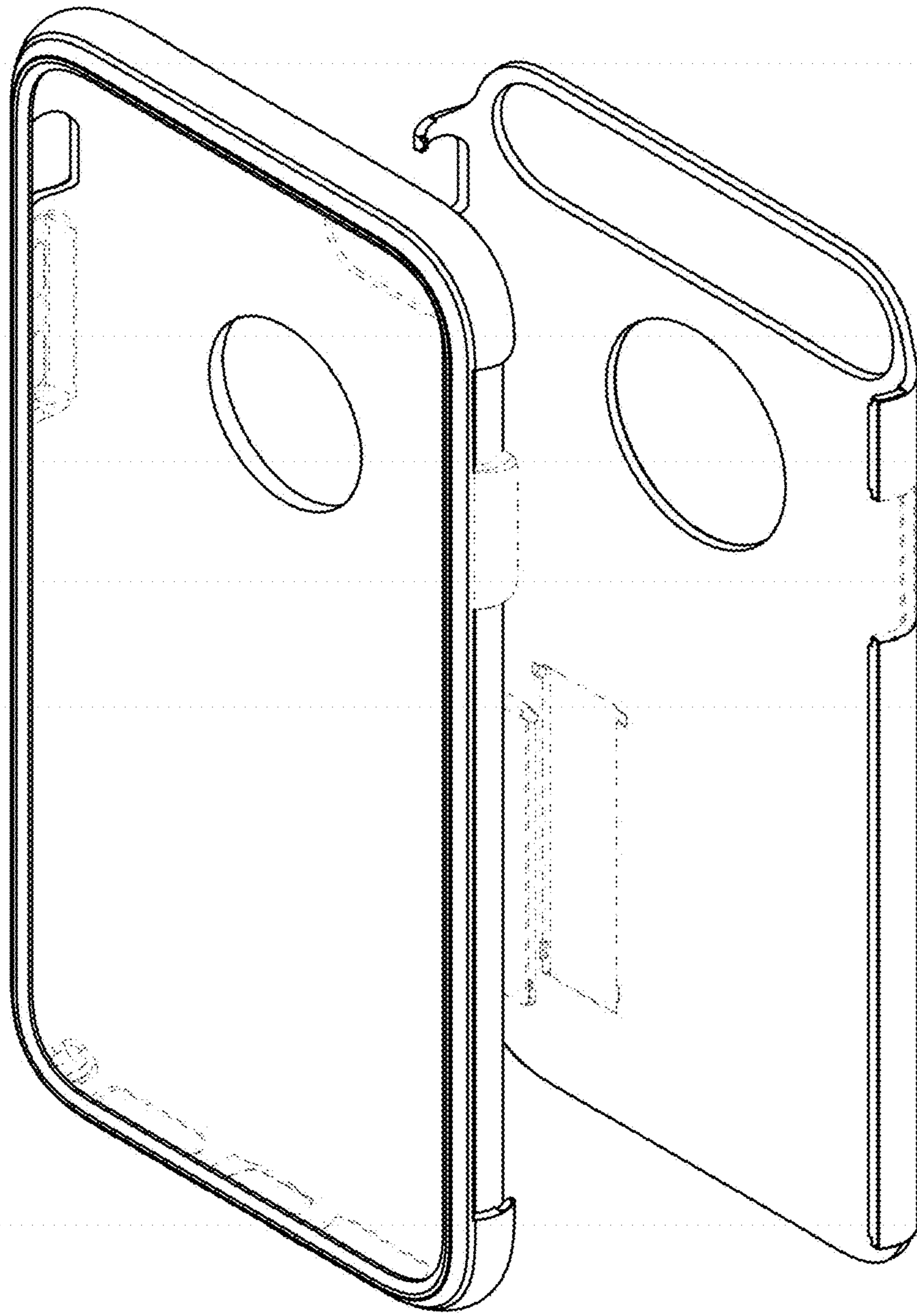


FIG. 11

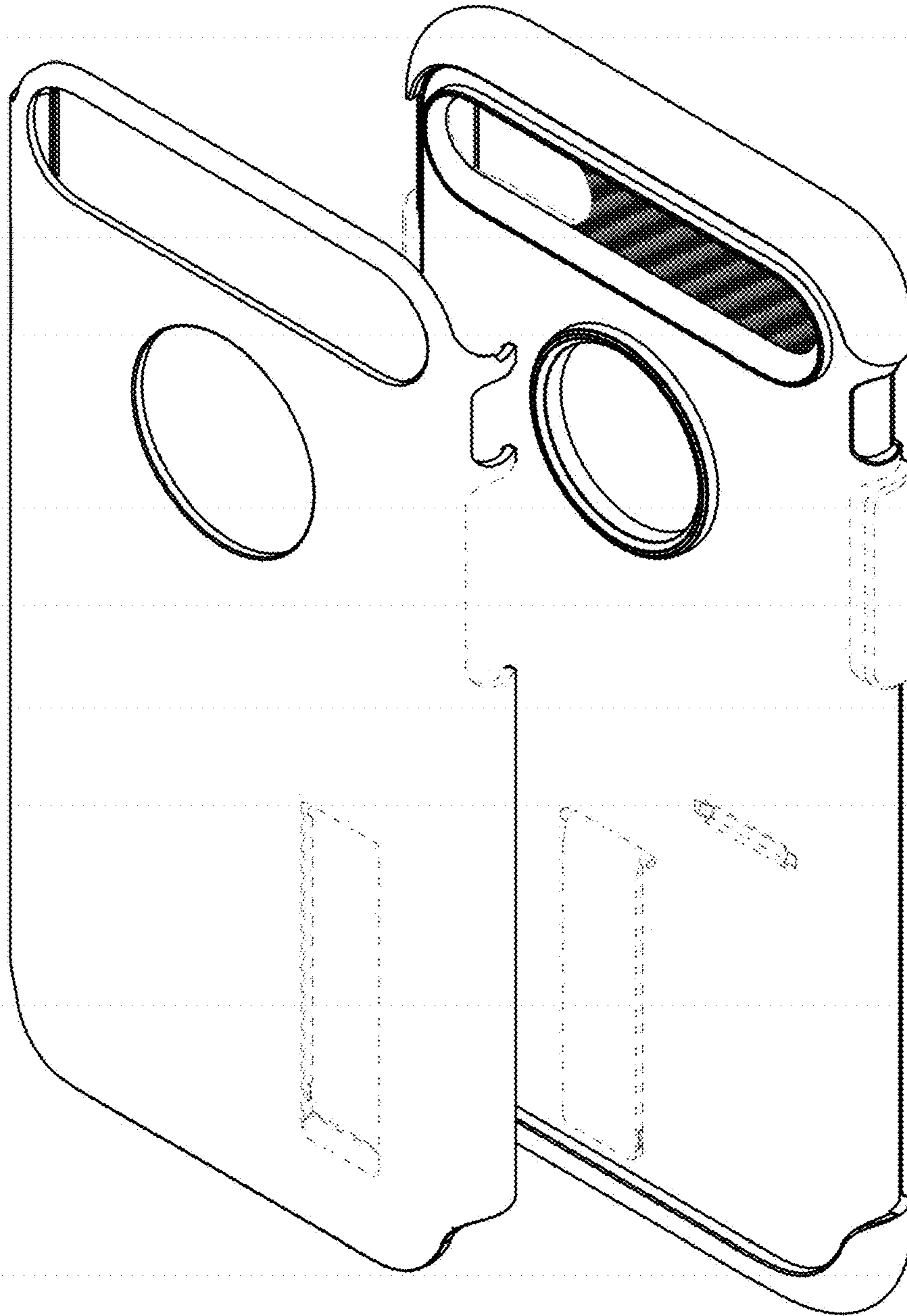


FIG. 12

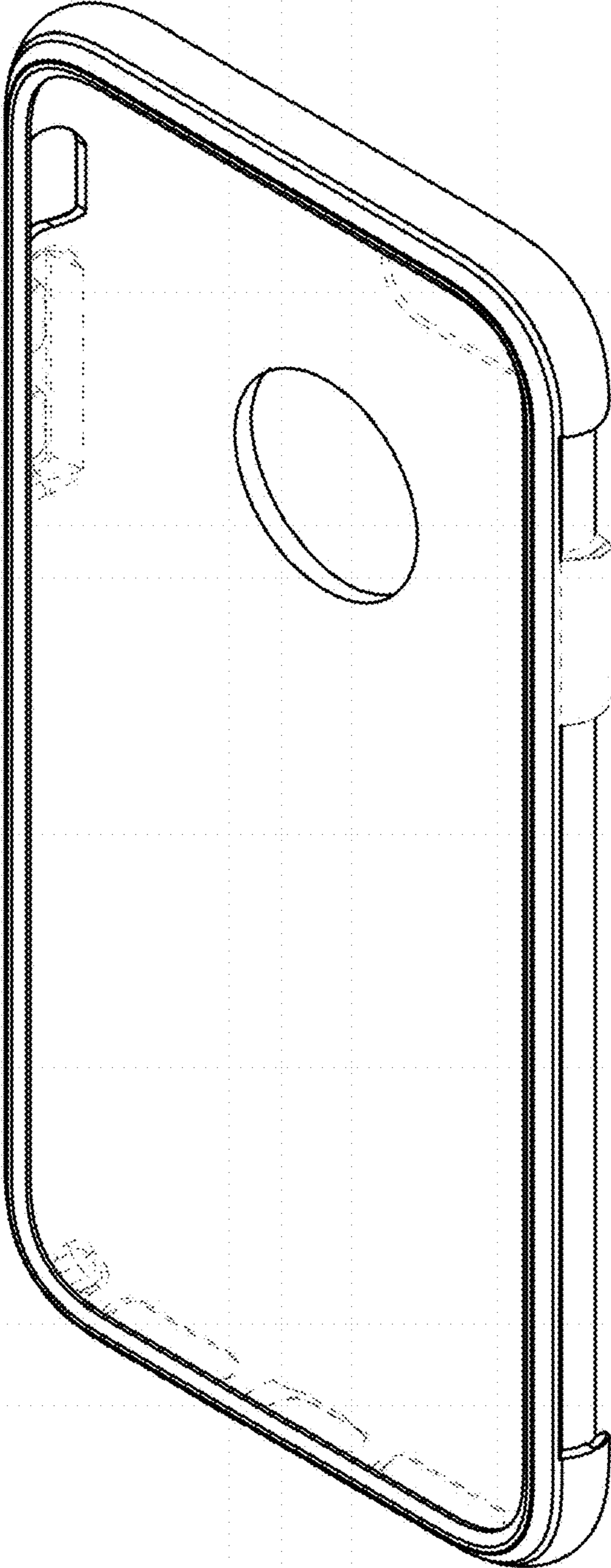


FIG. 13

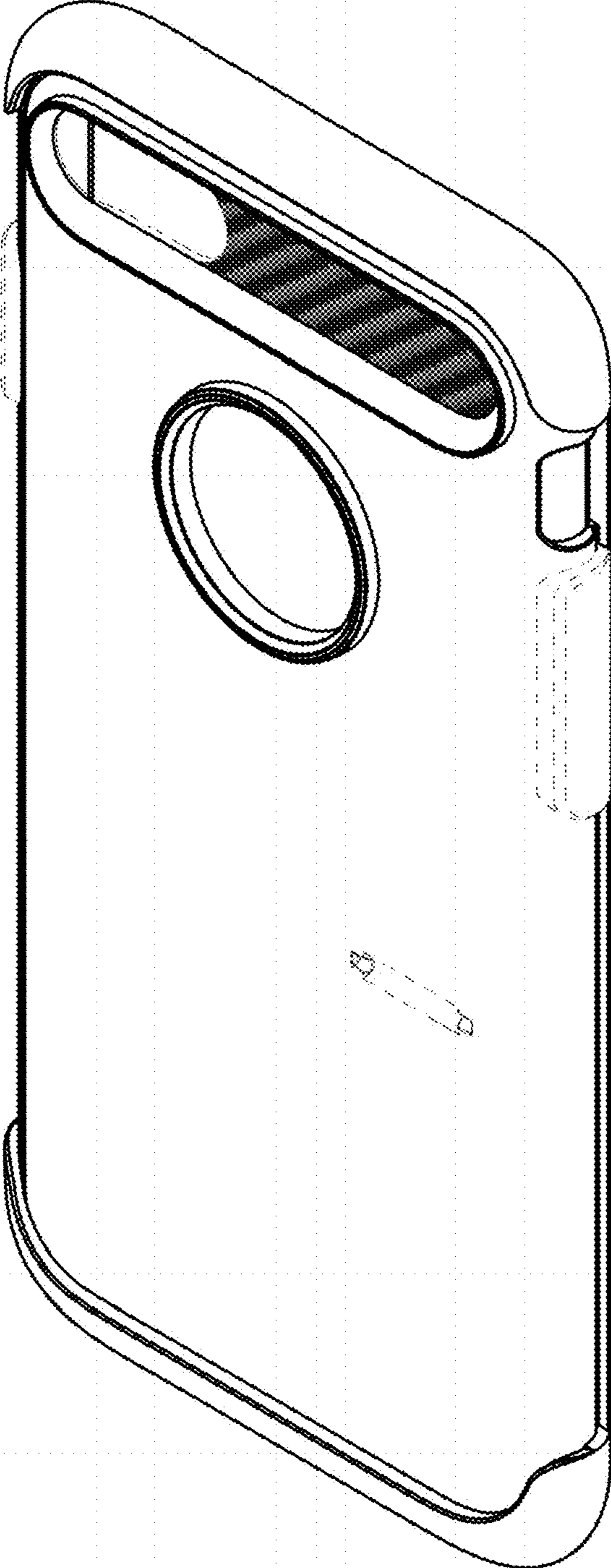


FIG. 14

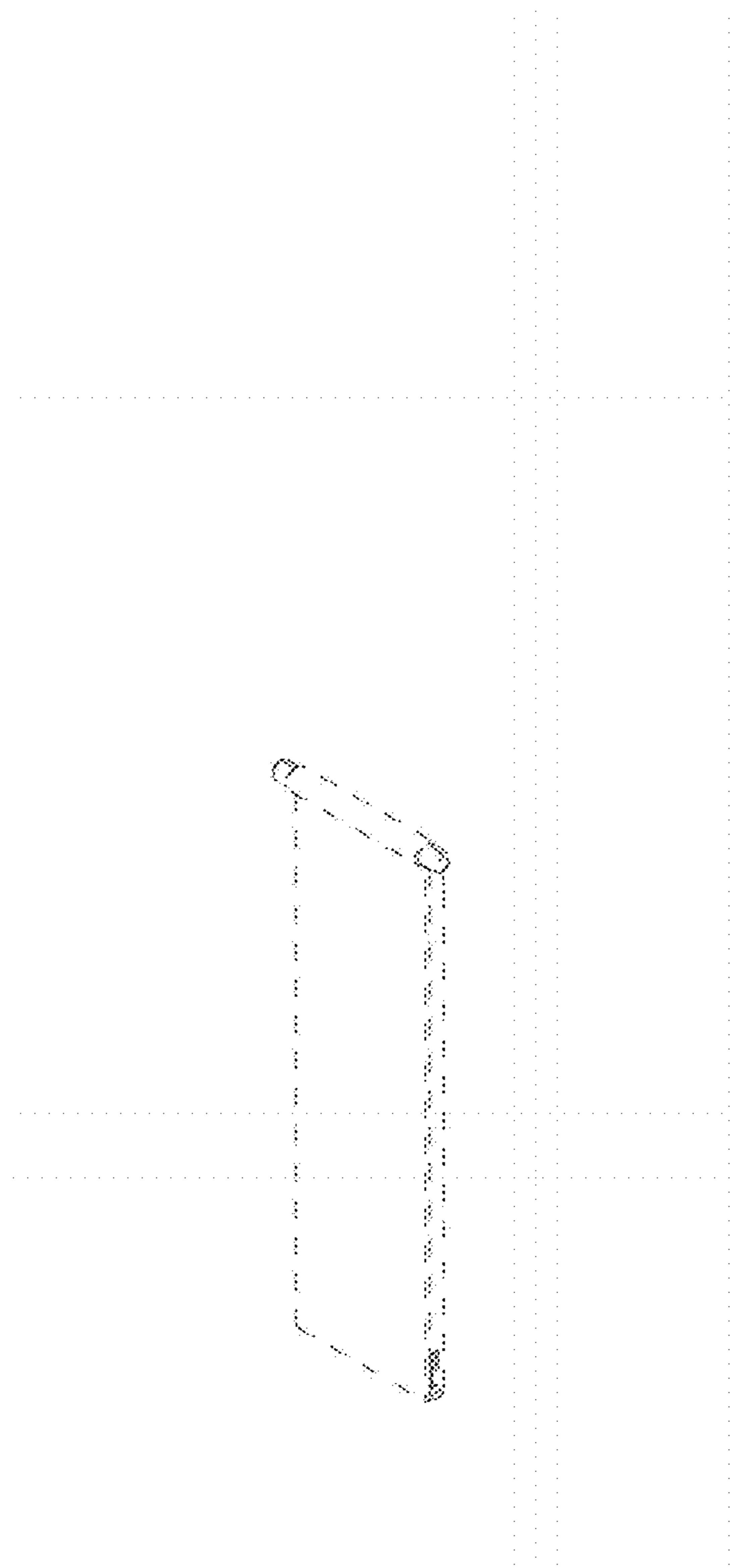


FIG. 15

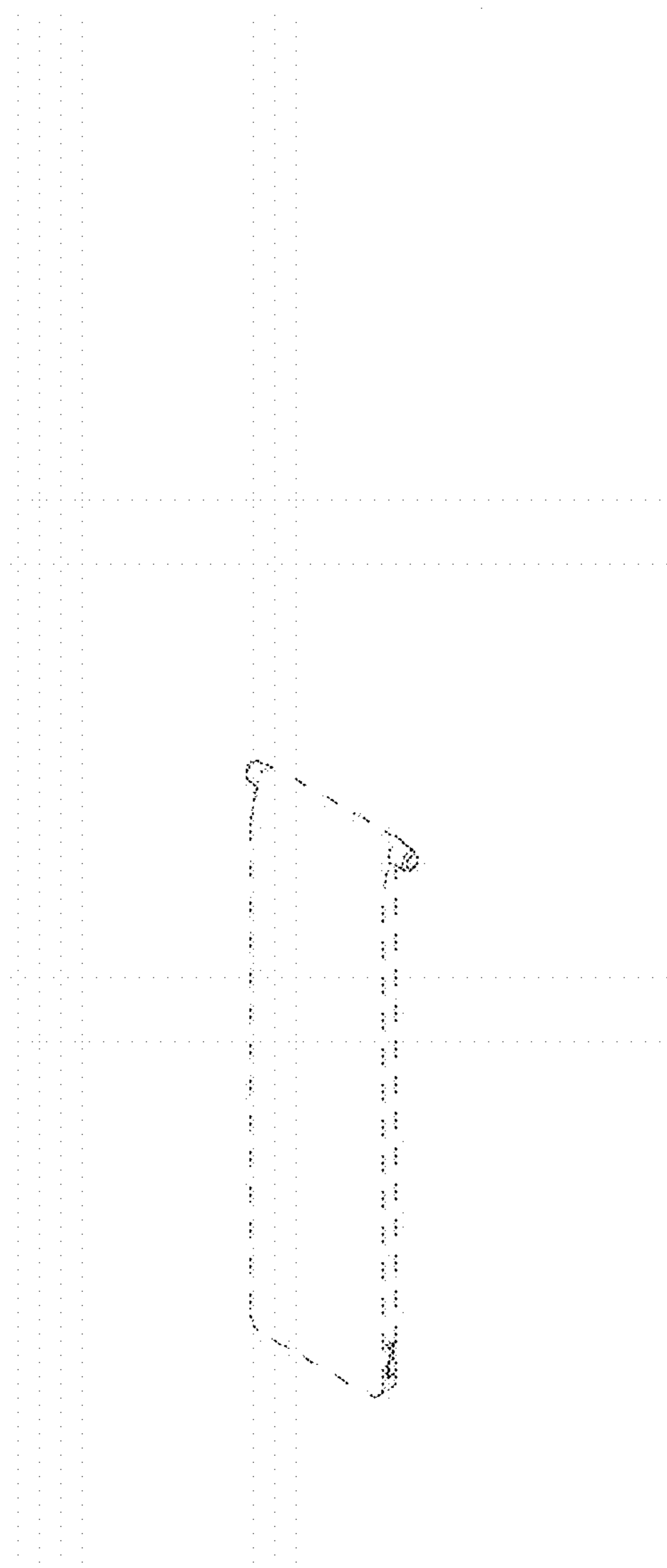


FIG. 16

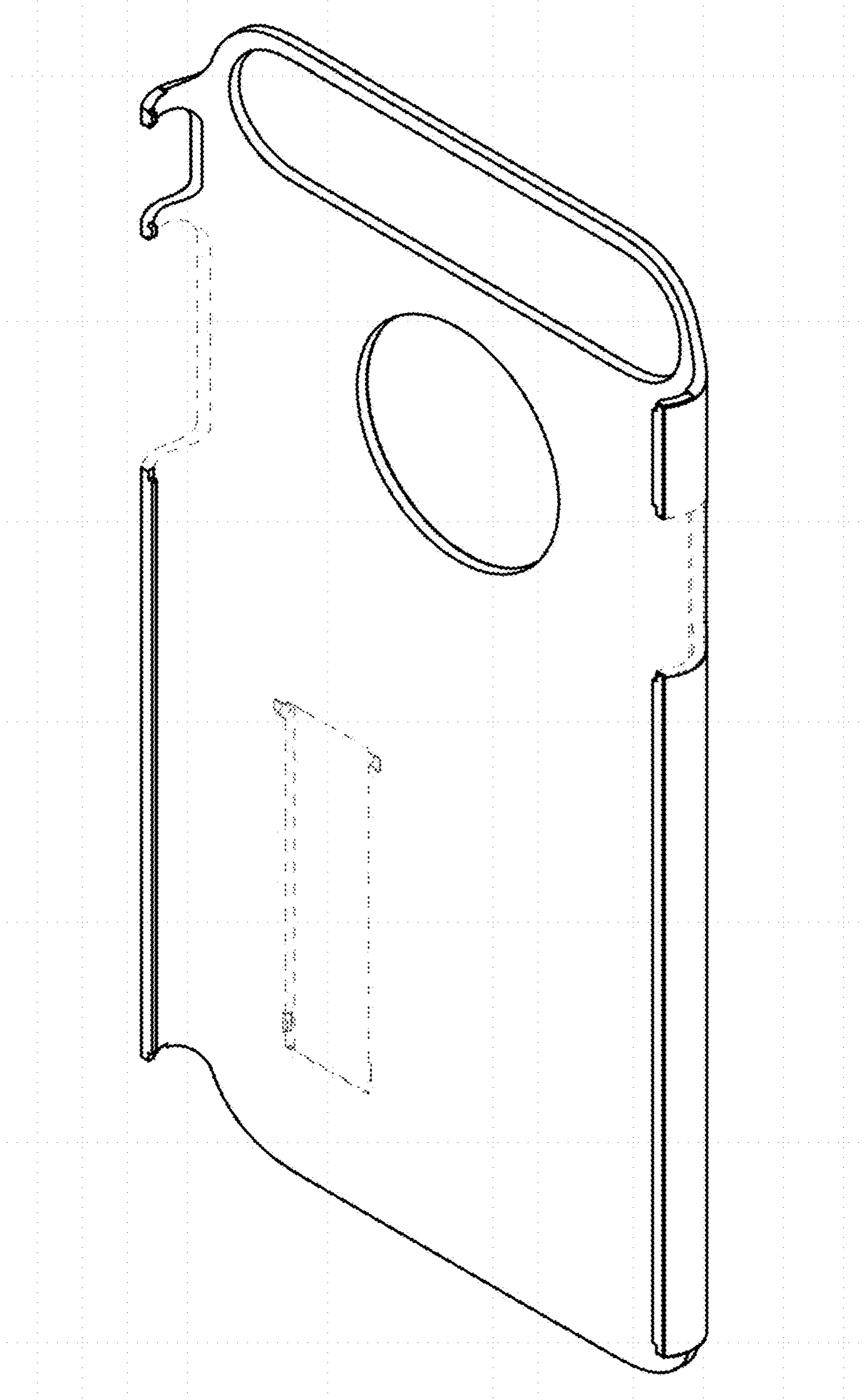


FIG. 17

