



US00D824370S

(12) **United States Design Patent**
Nicolas et al.

(10) **Patent No.:** **US D824,370 S**
(45) **Date of Patent:** **** Jul. 31, 2018**

- (54) **LOUDSPEAKER INCLUDING MOUNTING BRACKET**
- (71) Applicant: **Bosch Security Systems, Inc.**, Fairport, NY (US)
- (72) Inventors: **Edgar Nicolas**, St. Cloud, MN (US);
Darin Stephenson, Montrose, MN (US)
- (73) Assignees: **Bosch Security Systems, Inc.**, Fairport, NY (US); **Robert Bosch GmbH**, Stuttgart (DE)
- (**) Term: **15 Years**
- (21) Appl. No.: **29/605,411**
- (22) Filed: **May 25, 2017**
- (51) **LOC (11) Cl.** **14-01**
- (52) **U.S. Cl.**
USPC **D14/221; D14/209**
- (58) **Field of Classification Search**
USPC D14/204, 218, 172, 210–216, 209.1, 496, D14/497, 137, 168, 181, 185, 188, 299, D14/203.1–203.8, 221; 181/143, 147, 181/148, 150, 153, 157, 198, 199, 166, 181/144; 381/300–303, 306, 332, 333, 381/336, 345, 361–364, 370, 386–388; 455/344–351; 84/609–614, 634–638; 434/307 A, 307 R, 309, 318; 352/1, 6–10
CPC H04R 1/02; H04R 1/023; H04R 1/026; H04R 1/30; H04R 3/00; H04R 9/06; H04R 11/02; H04R 19/02
See application file for complete search history.

- D336,474 S * 6/1993 Hall D14/214
- 5,502,772 A * 3/1996 Felder H04R 1/20
181/199
- 6,721,434 B2 * 4/2004 Polk, Jr. G06F 1/1605
381/307
- 6,845,840 B2 * 1/2005 Cowan F16M 13/02
181/150
- D517,046 S * 3/2006 Lam D14/209
- D710,332 S * 8/2014 Baird D14/221
- D714,259 S * 9/2014 Galler D14/221

(Continued)

Primary Examiner — Prabhakar Deshmukh
(74) *Attorney, Agent, or Firm* — Kelly McGlashen;
Maginot Moore & Beck LLP

(57) **CLAIM**

The ornamental design for a loudspeaker including mounting bracket, as shown and described.

DESCRIPTION

FIG. 1 is a front perspective view of a loudspeaker including mounting bracket showing our new design;
 FIG. 2 is an enlargement of the portion of FIG. 1 that is encircled by a dash-dot-dash line labeled as FIG. 2;
 FIG. 3 is a top plan view thereof;
 FIG. 4 is a bottom plan view thereof;
 FIG. 5 is a front elevational view thereof;
 FIG. 6 is an enlargement of the portion of FIG. 5 that is encircled by a dash-dot-dash line labeled as FIG. 6;
 FIG. 7 is a rear elevational view thereof;
 FIG. 8 is a right side elevational view thereof;
 FIG. 9 is an enlargement of the portion of FIG. 8 that is encircled by a dash-dot-dash line labeled as FIG. 9;
 FIG. 10 is a left side elevational view thereof; and,
 FIG. 11 is an enlargement of the portion of FIG. 8 that is encircled by a dash-dot-dash line labeled as FIG. 11.

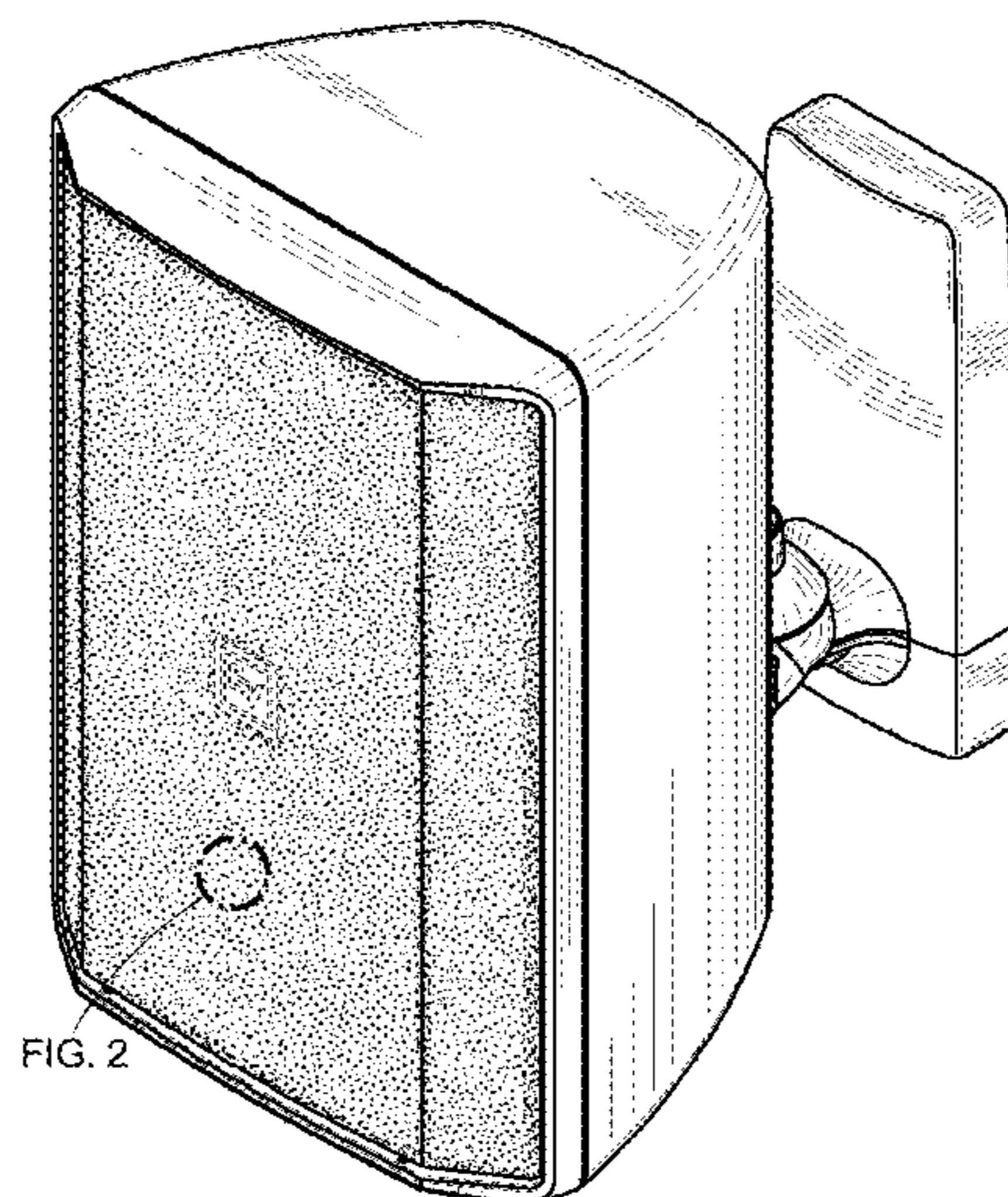
In the drawings, broken lines represent the environment of the design and form no part of the design. The dash-dot-dash reference lines in FIGS. 1, 5, 8, and 11 form no part of the claimed design.

1 Claim, 6 Drawing Sheets

(56) **References Cited**

U.S. PATENT DOCUMENTS

- 4,130,174 A * 12/1978 Ostrander H04R 1/025
181/146
- 4,325,529 A * 4/1982 Seebinger F16B 2/08
248/218.4



(56)

References Cited

U.S. PATENT DOCUMENTS

8,837,767 B2 * 9/2014 Stewart H04R 1/345
248/292.13
D764,444 S * 8/2016 Sulzer D14/210

* cited by examiner

FIG. 1

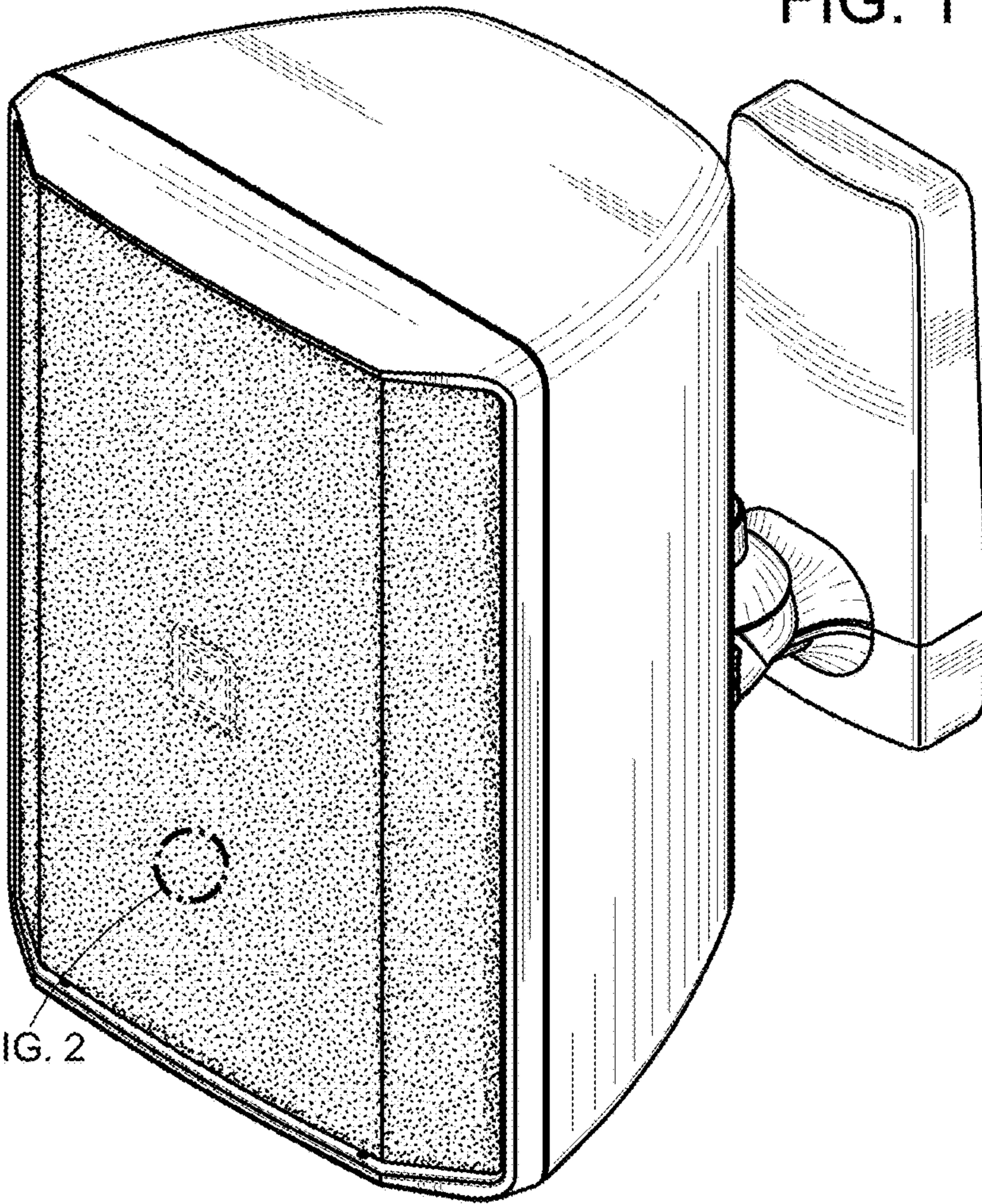


FIG. 2

FIG. 2

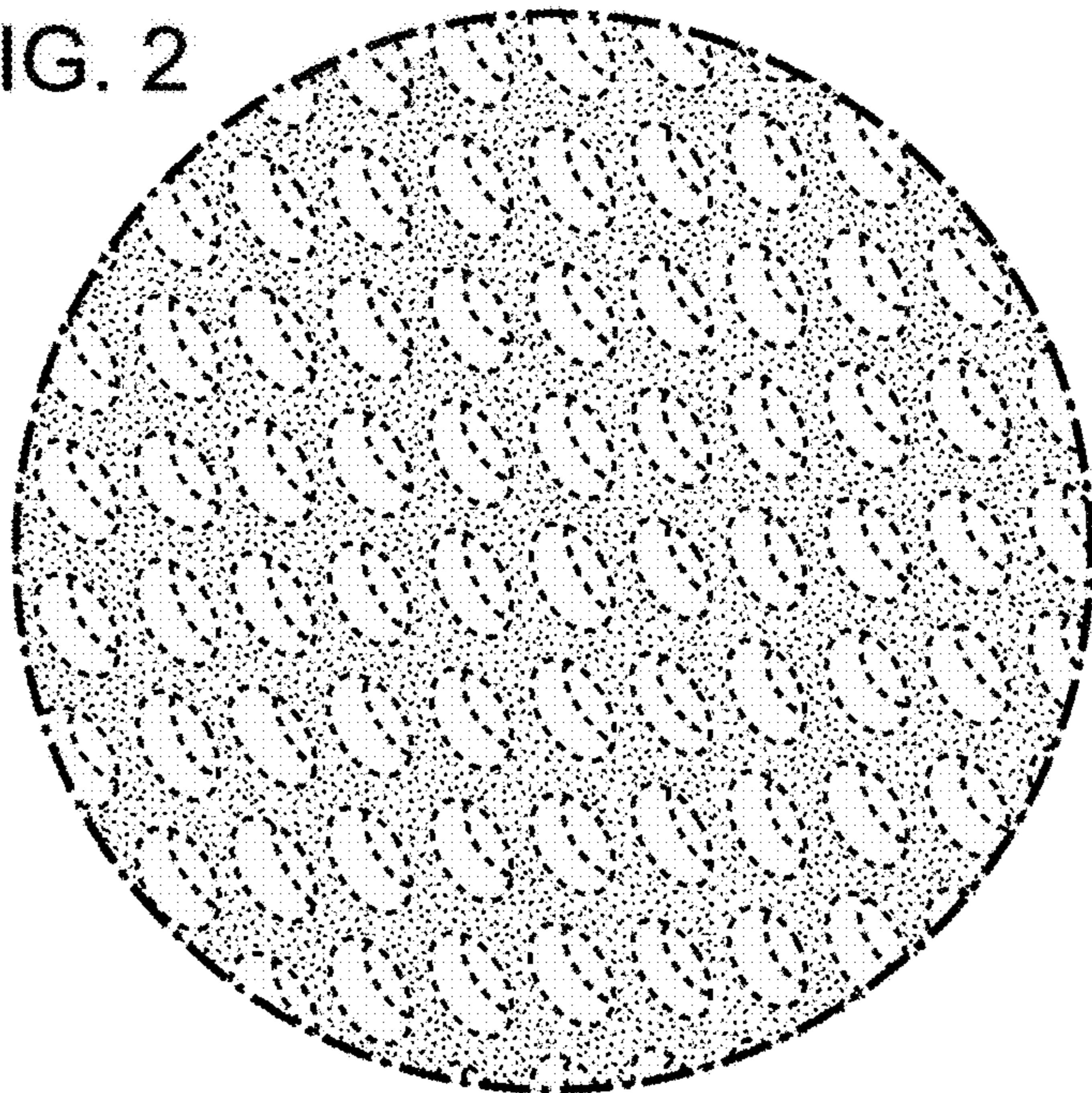


FIG. 3

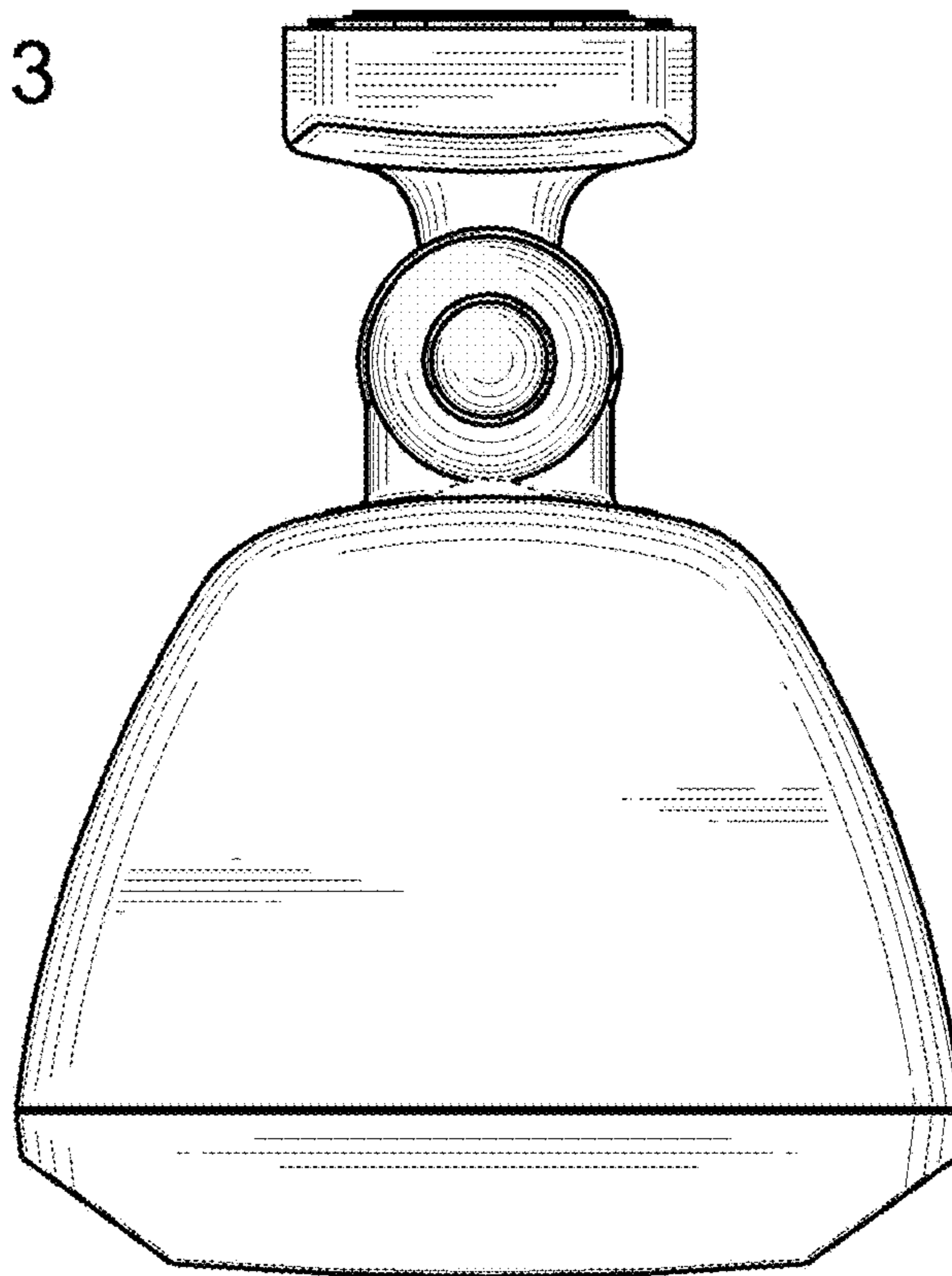


FIG. 4

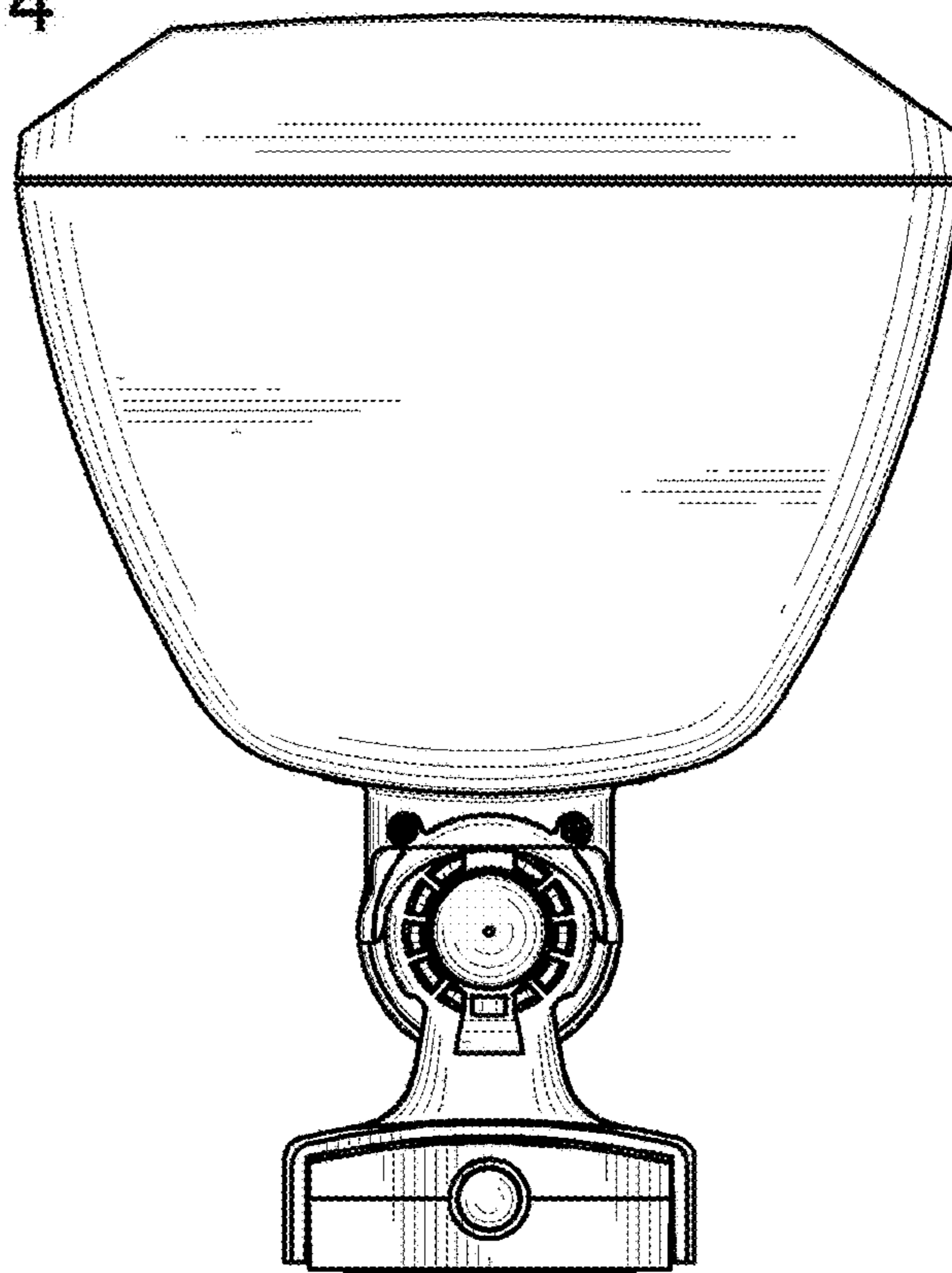


FIG. 5

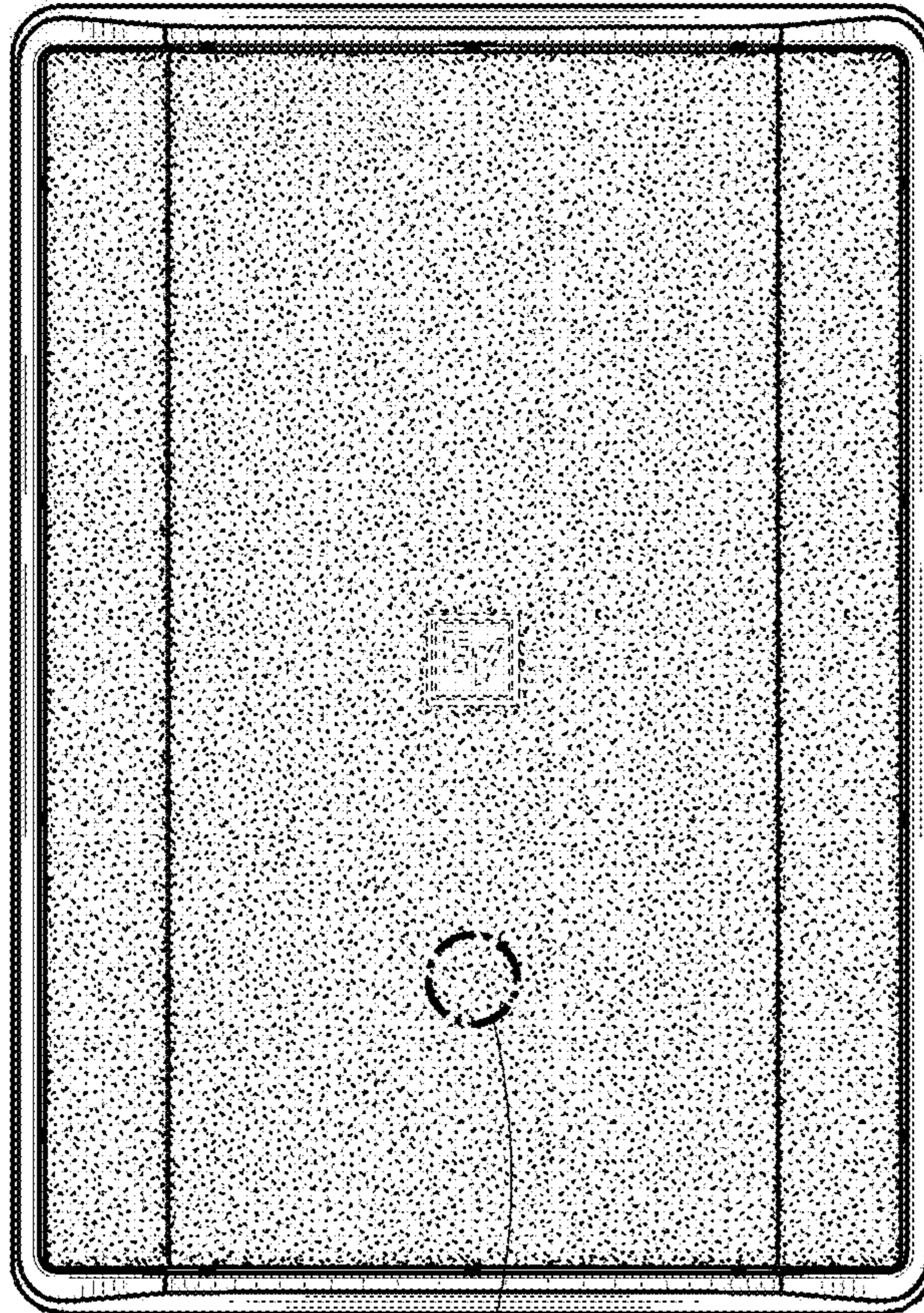


FIG. 6

FIG. 6

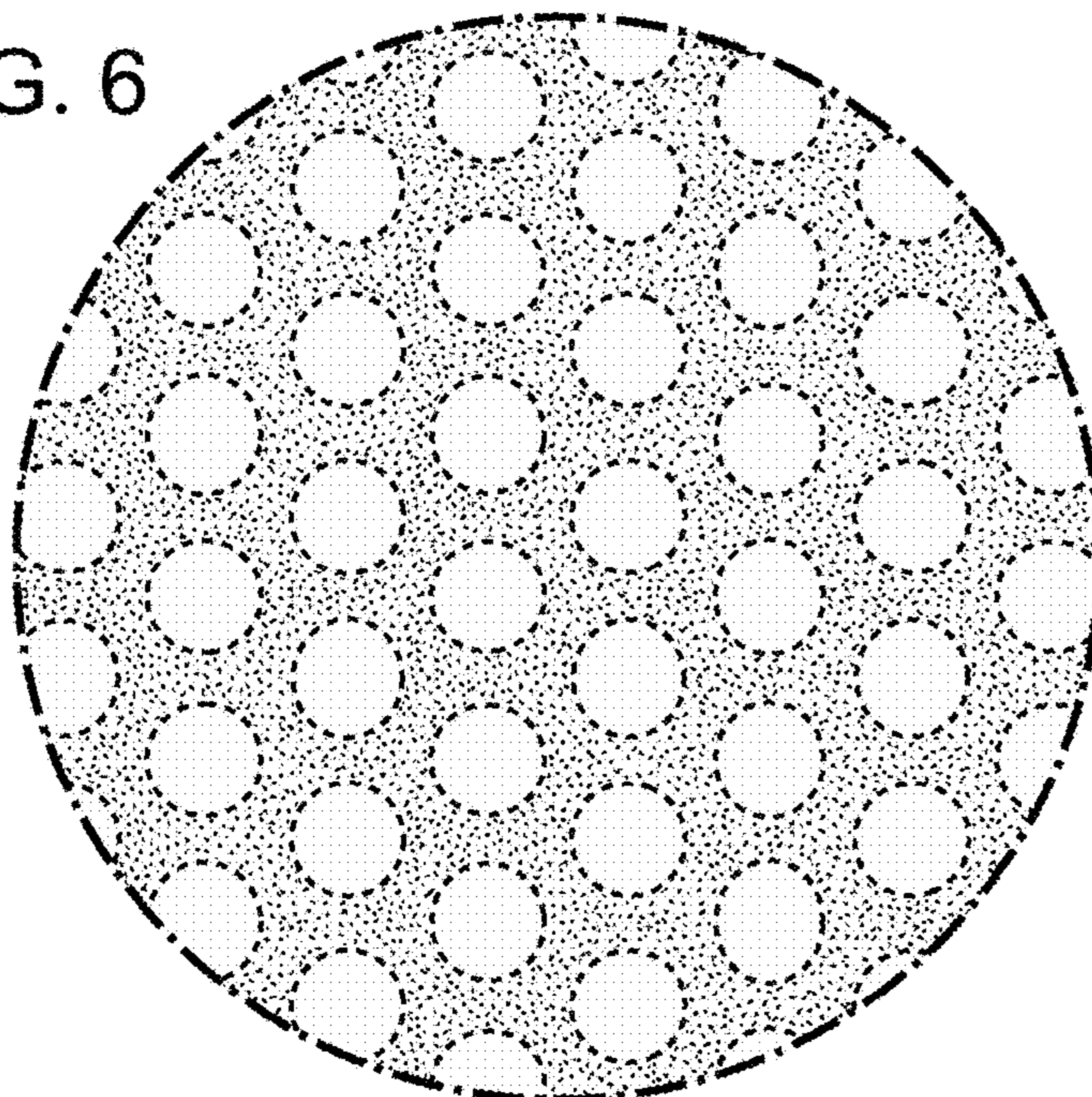


FIG. 7

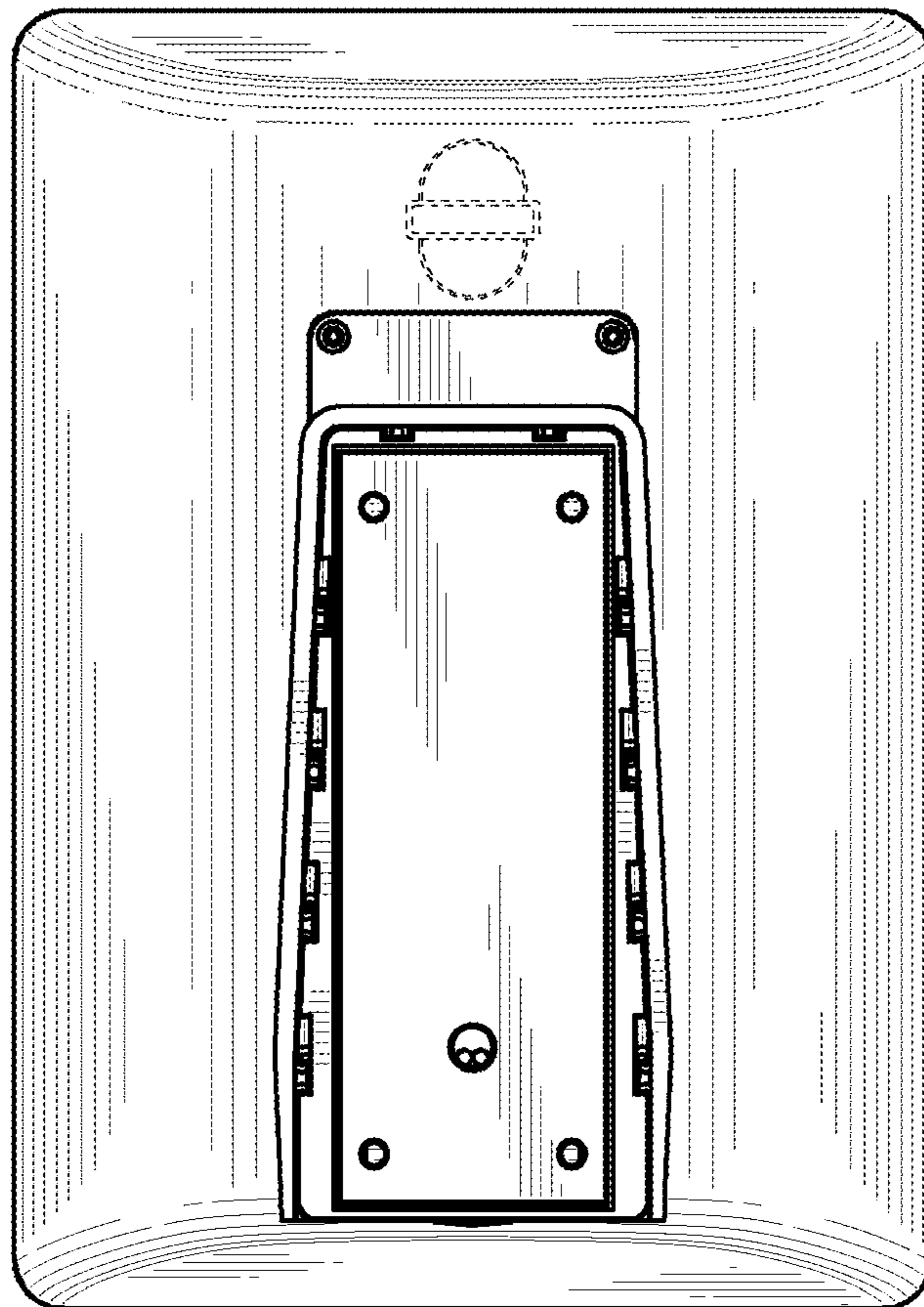


FIG. 8

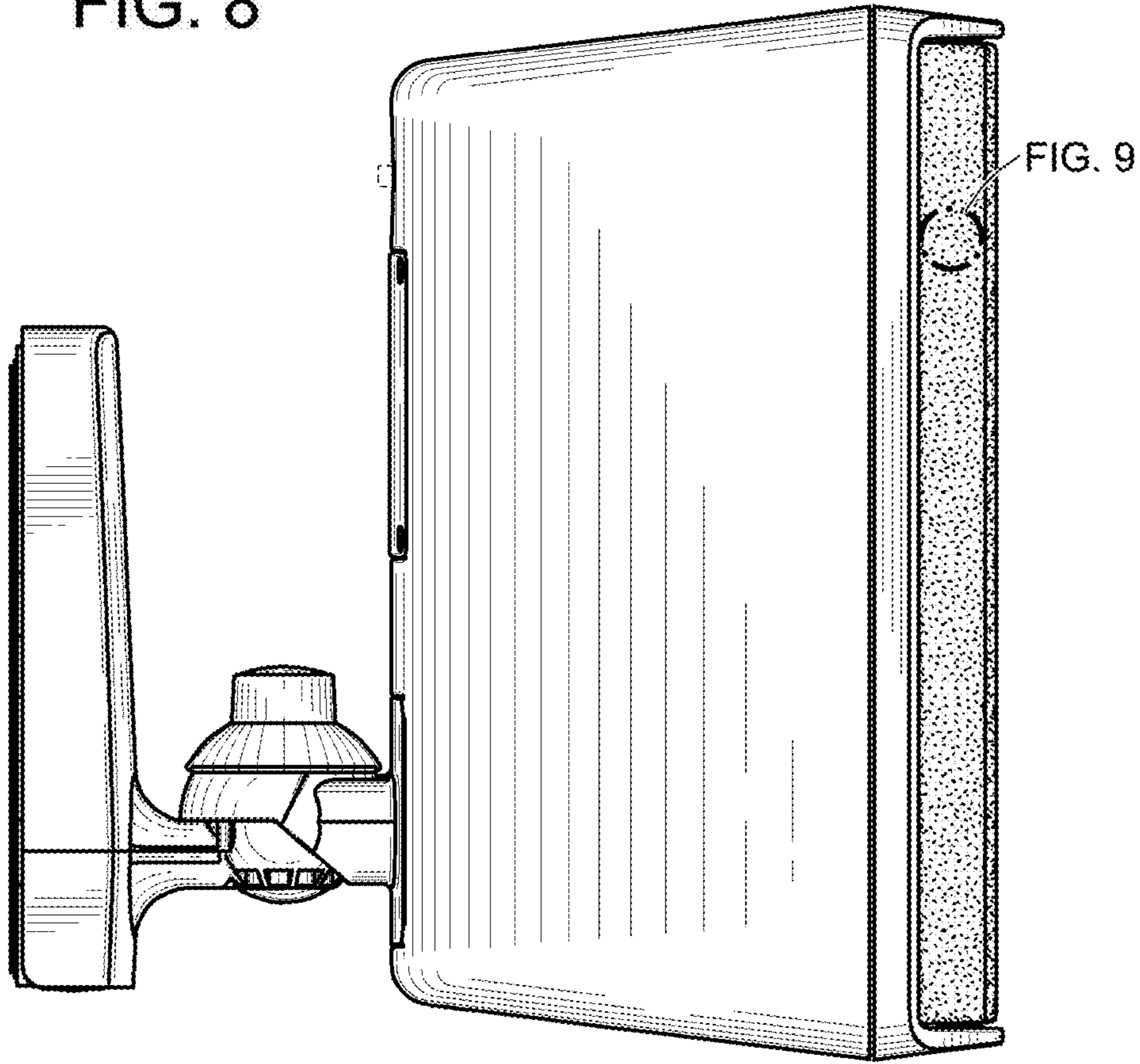


FIG. 9

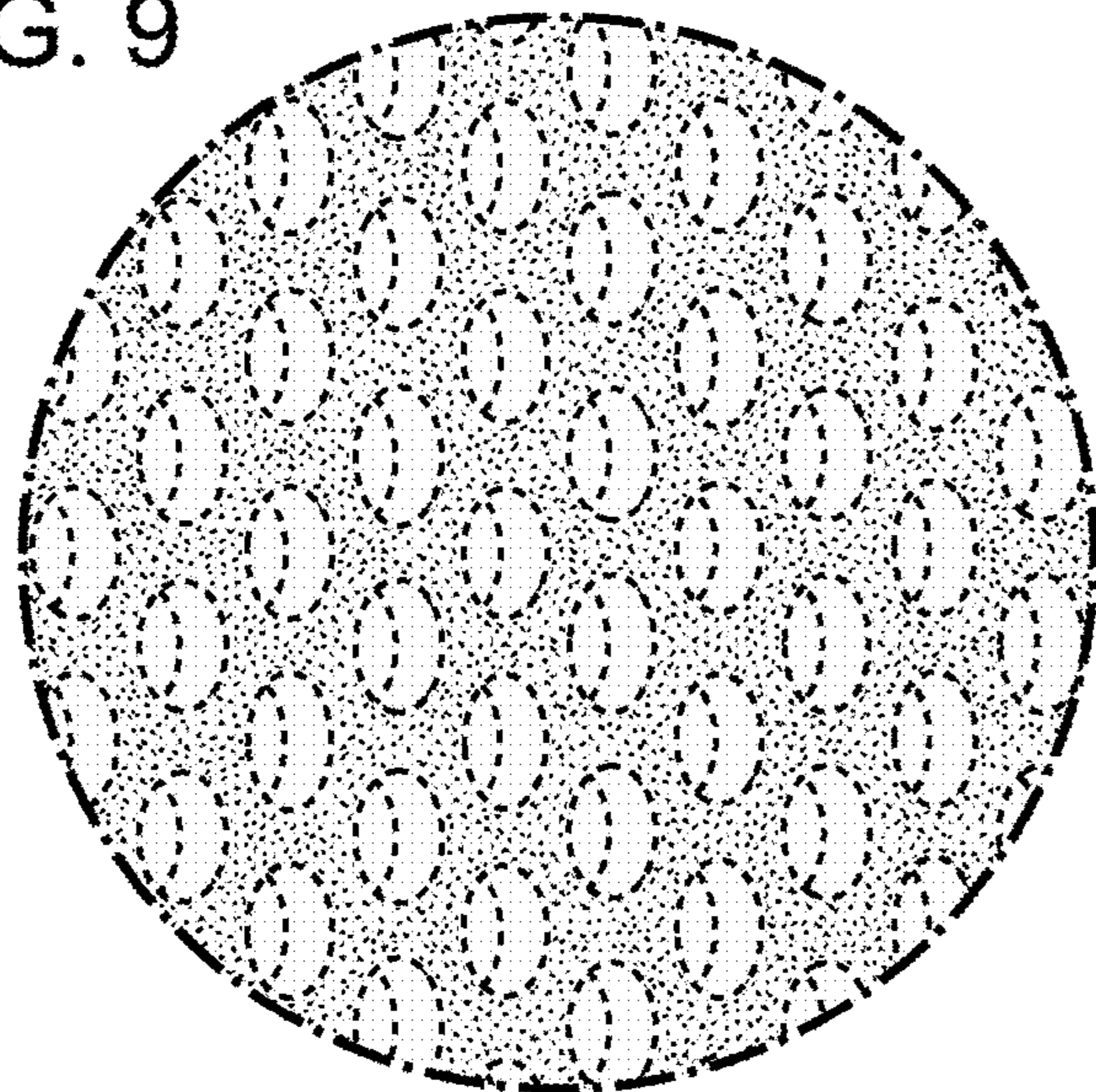


FIG. 10

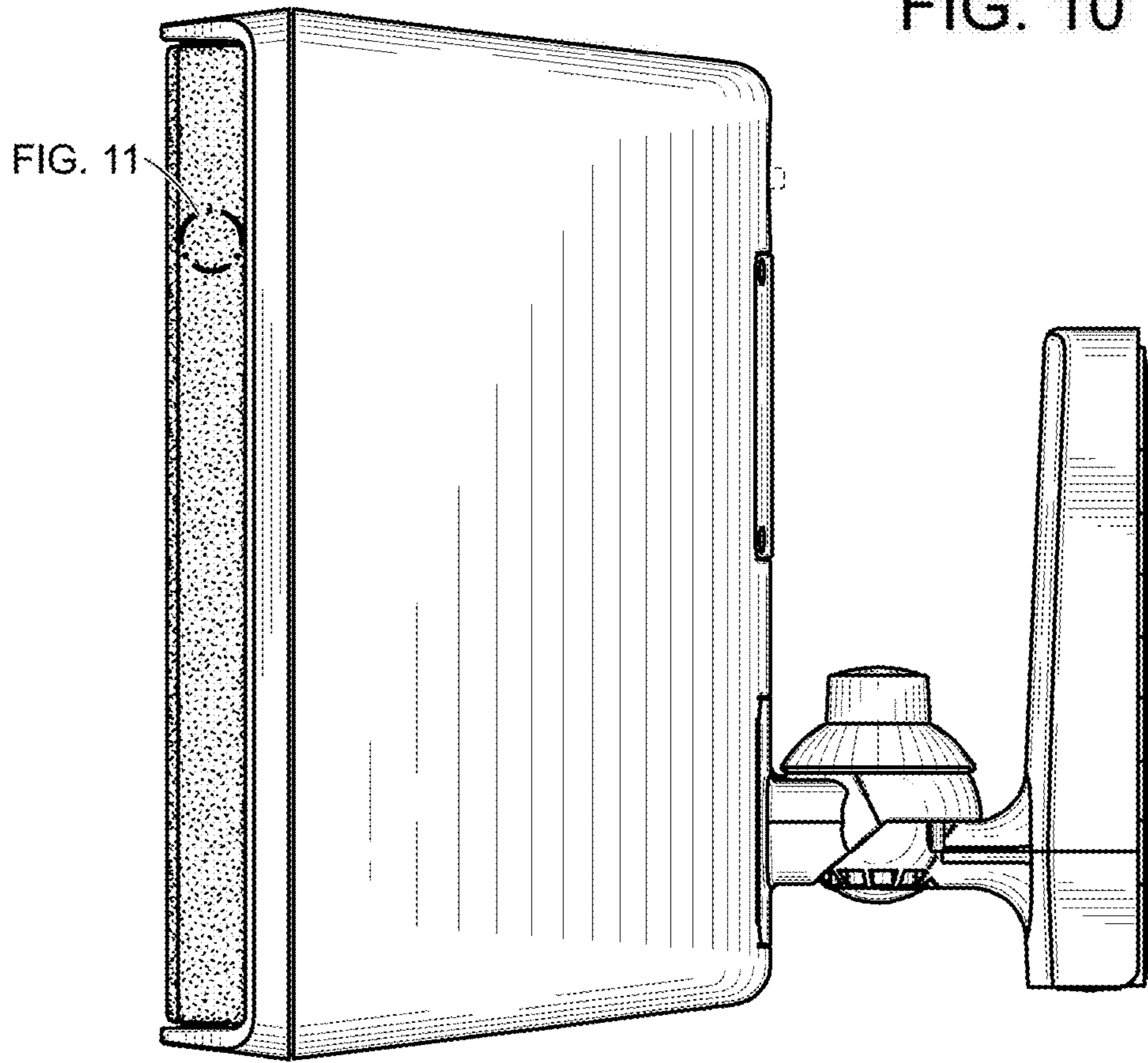


FIG. 11

