



US00D824368S

(12) **United States Design Patent**
Kacin et al.

(10) **Patent No.:** **US D824,368 S**
(45) **Date of Patent:** **** Jul. 31, 2018**

- (54) **REMOTE CONTROL FOR A COMPUTING DEVICE**
- (71) Applicant: **LARC Networks, Inc.**, Los Altos, CA (US)
- (72) Inventors: **Martin Kacin**, Los Altos Hills, CA (US); **Steve Eckland**, Palo Alto, CA (US); **Robert Alexander Garrow, Jr.**, Los Altos Hills, CA (US); **Kirk Lynn Reistroffer**, Fremont, CA (US)

D458,911 S * 6/2002 Kataoka D14/129
 D493,198 S * 7/2004 Starkel D21/386
 D500,297 S * 12/2004 Chan D14/143
 D514,556 S * 2/2006 Rising D14/300
 (Continued)

FOREIGN PATENT DOCUMENTS

CN 303479521 * 12/2015
 CN 303520646 * 12/2015
 (Continued)

OTHER PUBLICATIONS

Amazon.com : LED Cube: 16-inch LOFTEK Shape Light, reviews 2017, <https://www.amazon.com/LED-Cube-Rechargeable-Cordless-Decorative/dp/B00GOJDB...> site visited Oct. 16, 2017.*
 (Continued)

- (73) Assignee: **LARC Networks, Inc.**, Los Altos, CA (US)
- (**) Term: **15 Years**
- (21) Appl. No.: **29/566,123**
- (22) Filed: **May 26, 2016**
- (51) **LOC (11) Cl.** **14-03**
- (52) **U.S. Cl.**
USPC **D14/218**
- (58) **Field of Classification Search**
USPC D14/218, 225, 204-206, 454; D13/168; D10/49; D21/333
CPC .. H04N 7/17318; H04R 1/083; G06F 1/1628; G06F 3/01; G06F 3/16
See application file for complete search history.

Primary Examiner — Eric L Goodman
Assistant Examiner — John R Yeh
 (74) *Attorney, Agent, or Firm* — Fenwick & West LLP

(57) **CLAIM**

We claim the ornamental design for a remote control for a computing device.

DESCRIPTION

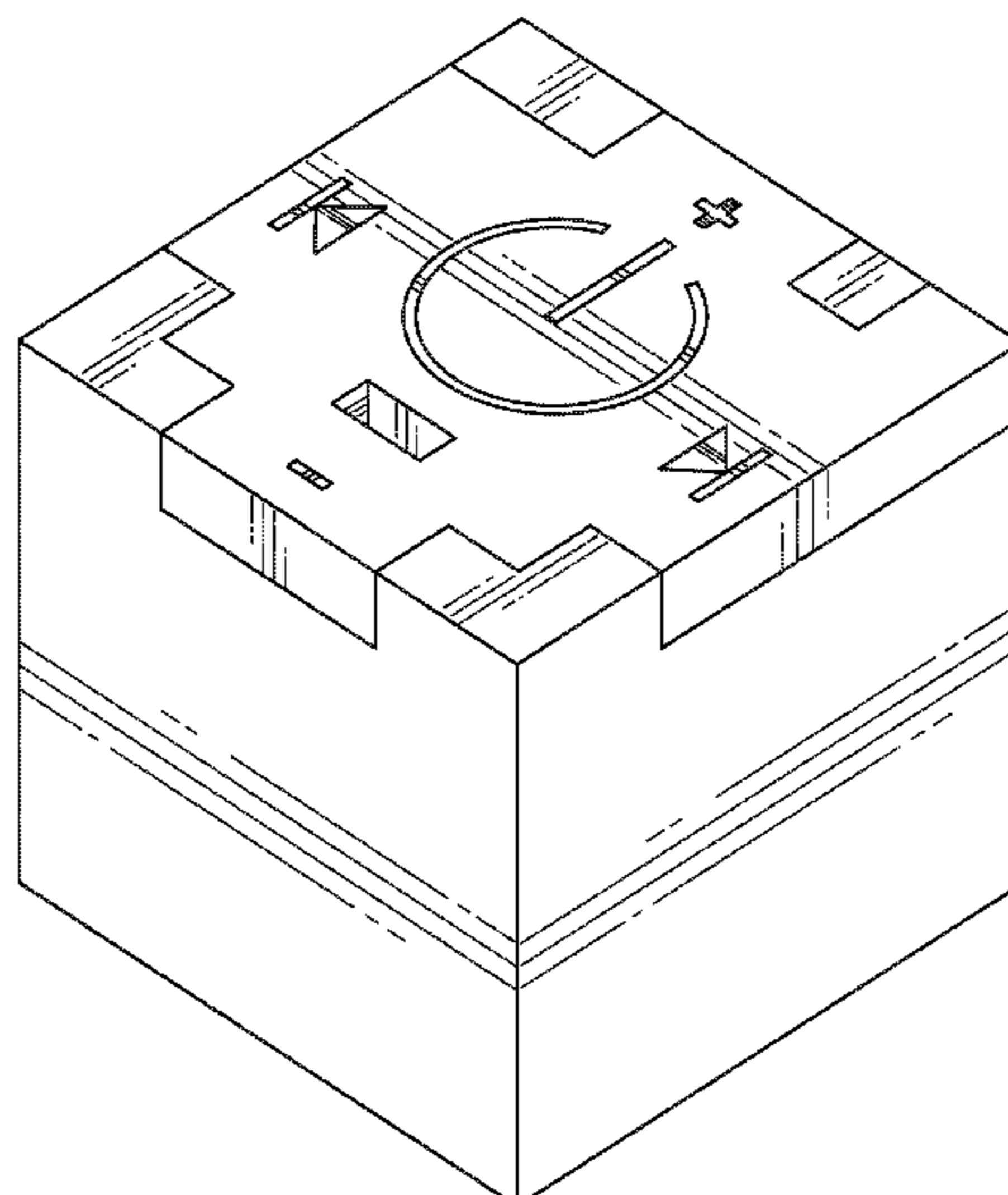
FIG. 1 is a perspective view for a remote control for a computing device;
 FIG. 2 is a second perspective view thereof;
 FIG. 3 is a top view thereof;
 FIG. 4 is a bottom view thereof;
 FIG. 5 is a rear view thereof;
 FIG. 6 is a front view thereof;
 FIG. 7 is a left side view thereof; and,
 FIG. 8 is a right side view thereof.
 The broken lines illustrate portions of the remote control for a computing device which form no part of the claimed design.

(56) **References Cited**

U.S. PATENT DOCUMENTS

1,527,051 A * 2/1925 Longan G09B 19/00
211/1
3,579,859 A * 5/1971 Malenge A63F 9/06
40/437
D311,177 S * 10/1990 Peters, III D14/308
5,908,265 A * 6/1999 Mostkoff E02B 3/046
405/29
6,172,665 B1 * 1/2001 Bullister G06F 3/0213
345/163
D449,525 S * 10/2001 Sturgess D9/432

1 Claim, 8 Drawing Sheets



(56)

References Cited

U.S. PATENT DOCUMENTS

D554,625 S * 11/2007 Kato D14/218
 D561,168 S * 2/2008 Song D14/188
 D567,625 S * 4/2008 Mattson D8/307
 D577,713 S * 9/2008 Kim D14/218
 D598,906 S * 8/2009 Chiba D14/240
 D600,217 S * 9/2009 Gandini D13/168
 D601,583 S * 10/2009 Andre D14/496
 D623,657 S * 9/2010 Fitzmaurice D14/488
 D632,265 S * 2/2011 Choi D13/168
 D648,186 S * 11/2011 Pourian D19/67
 D648,298 S * 11/2011 Pierce D14/138 G
 D649,148 S * 11/2011 Gengoux D14/300
 D678,218 S * 3/2013 Sheen D13/168
 D701,496 S * 3/2014 Namminga D13/168
 D711,463 S * 8/2014 Costabeber D14/300
 D737,154 S * 8/2015 Jacoby D10/50
 D749,666 S * 2/2016 Ahdoot D14/218
 D754,109 S * 4/2016 Kelly D14/240
 D755,132 S * 5/2016 Kashimoto D13/168
 D755,733 S * 5/2016 Ikegaya D13/168
 D755,735 S * 5/2016 Kashimoto D13/168
 D763,204 S * 8/2016 Ikegaya D13/168
 D764,418 S * 8/2016 Kashimoto D13/168
 D766,998 S * 9/2016 Kao D15/122
 D771,596 S * 11/2016 Gelderen D14/218
 D772,221 S * 11/2016 Kacin D14/308
 D772,224 S * 11/2016 Kacin D14/308
 D779,242 S * 2/2017 Kacin D6/682.5

D781,250 S * 3/2017 Cartwright D13/168
 D784,960 S * 4/2017 Gassner D14/218
 D785,365 S * 5/2017 Newlin D6/526
 D794,672 S * 8/2017 Hirai D14/489
 2007/0029397 A1* 2/2007 Mueller F24F 11/30
 236/46 C
 2007/0097115 A1* 5/2007 Ok G06F 3/04815
 345/419
 2009/0121905 A1* 5/2009 Griffin, Jr. G08C 17/02
 341/35
 2013/0190087 A1* 7/2013 Somarajapuram A63F 13/10
 463/32

FOREIGN PATENT DOCUMENTS

EM 000909346-0001 * 4/2009
 RU 00074047 * 2/2010
 WO WO D0676670-005 * 10/2006

OTHER PUBLICATIONS

Black Magic Cube Shape Smart Wifi Remote Control, ebay update
 Mar. 21, 2018, <https://www.ebay.com/itm/1-Pc-Black-Magic-Cube-Shape-Smart-Wifi-Remote-Control-In...> site visited Mar. 25, 2018
 (Year: 2018).*
 SpeedCubeShop | QiYi WuQue 4x4 review, date Dec. 18, 2016,
<https://speedcubeshop.com/blogs/karls-cube-corner/qiyi-wuque-4x4-review>, site visited Mar. 25, 2018 (Year: 2016).*

* cited by examiner

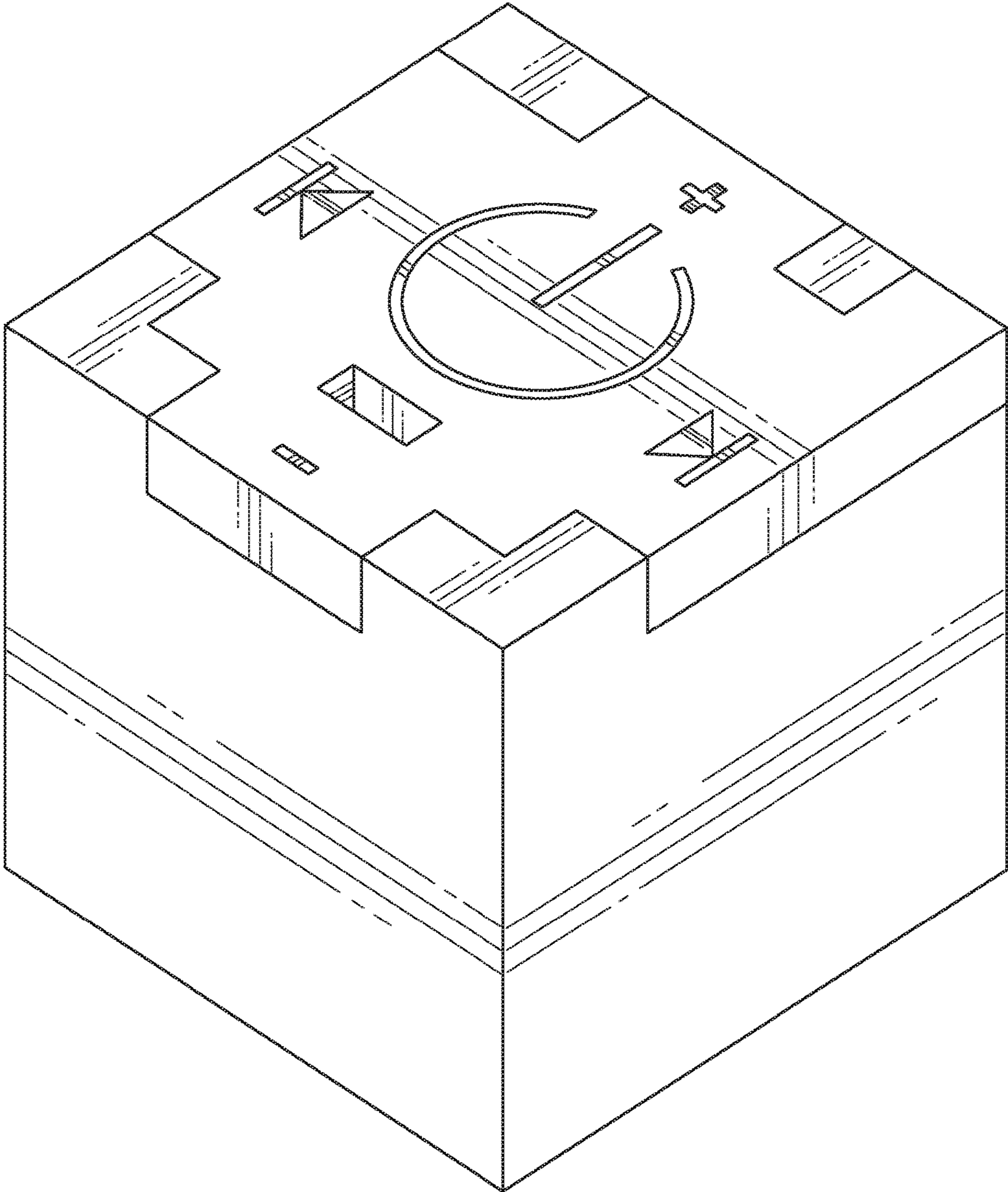


FIG. 1

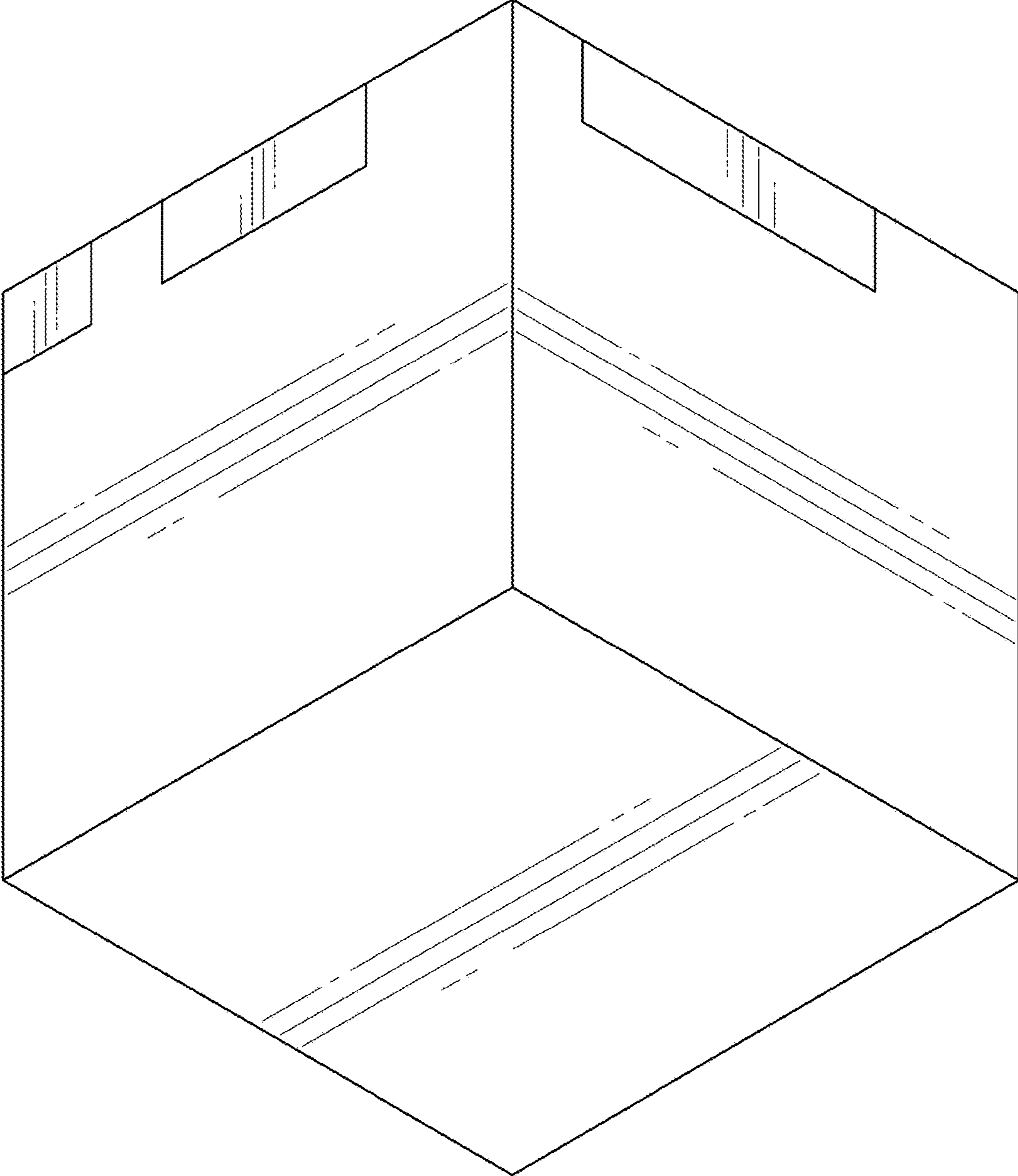


FIG. 2

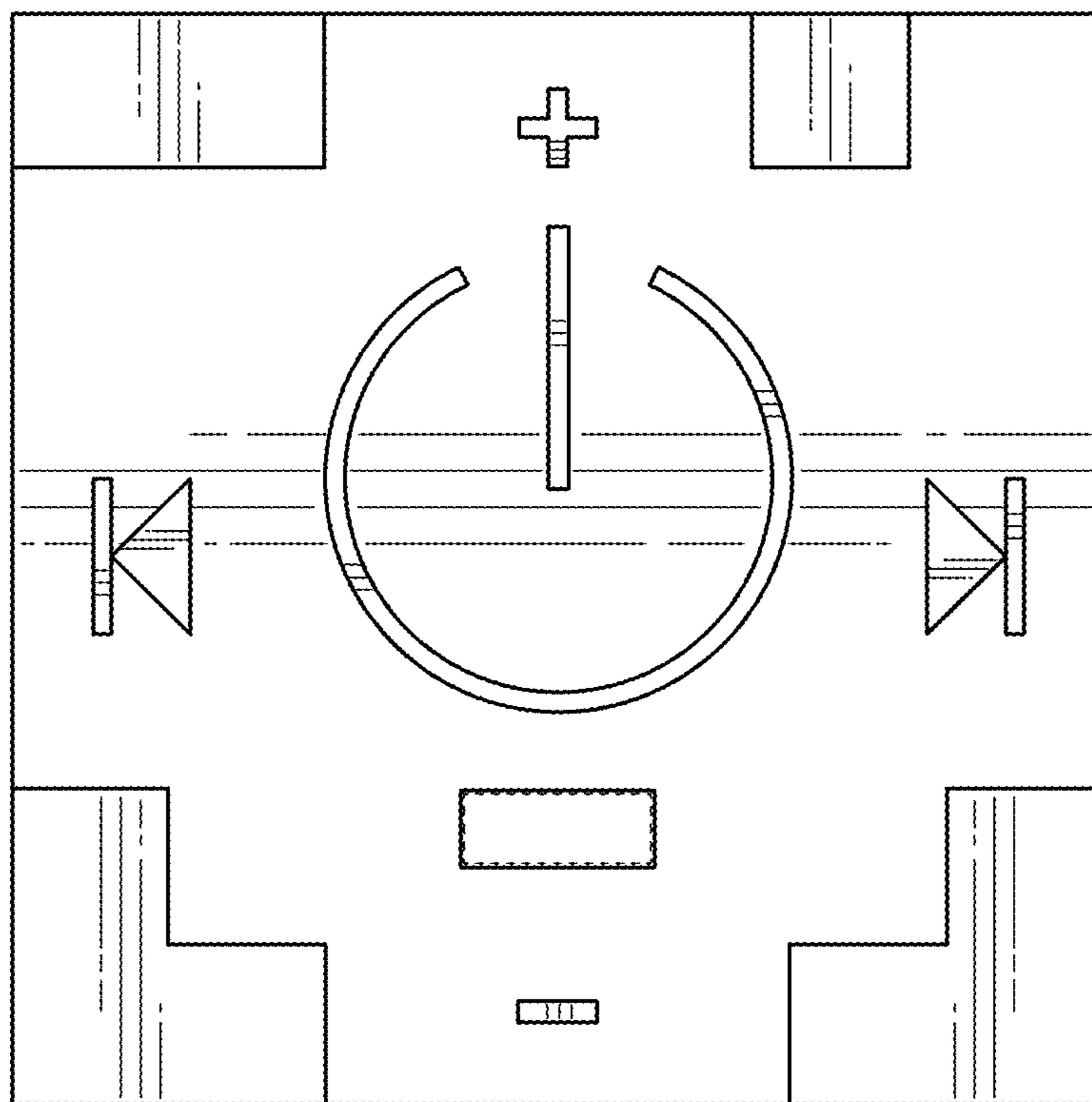


FIG. 3

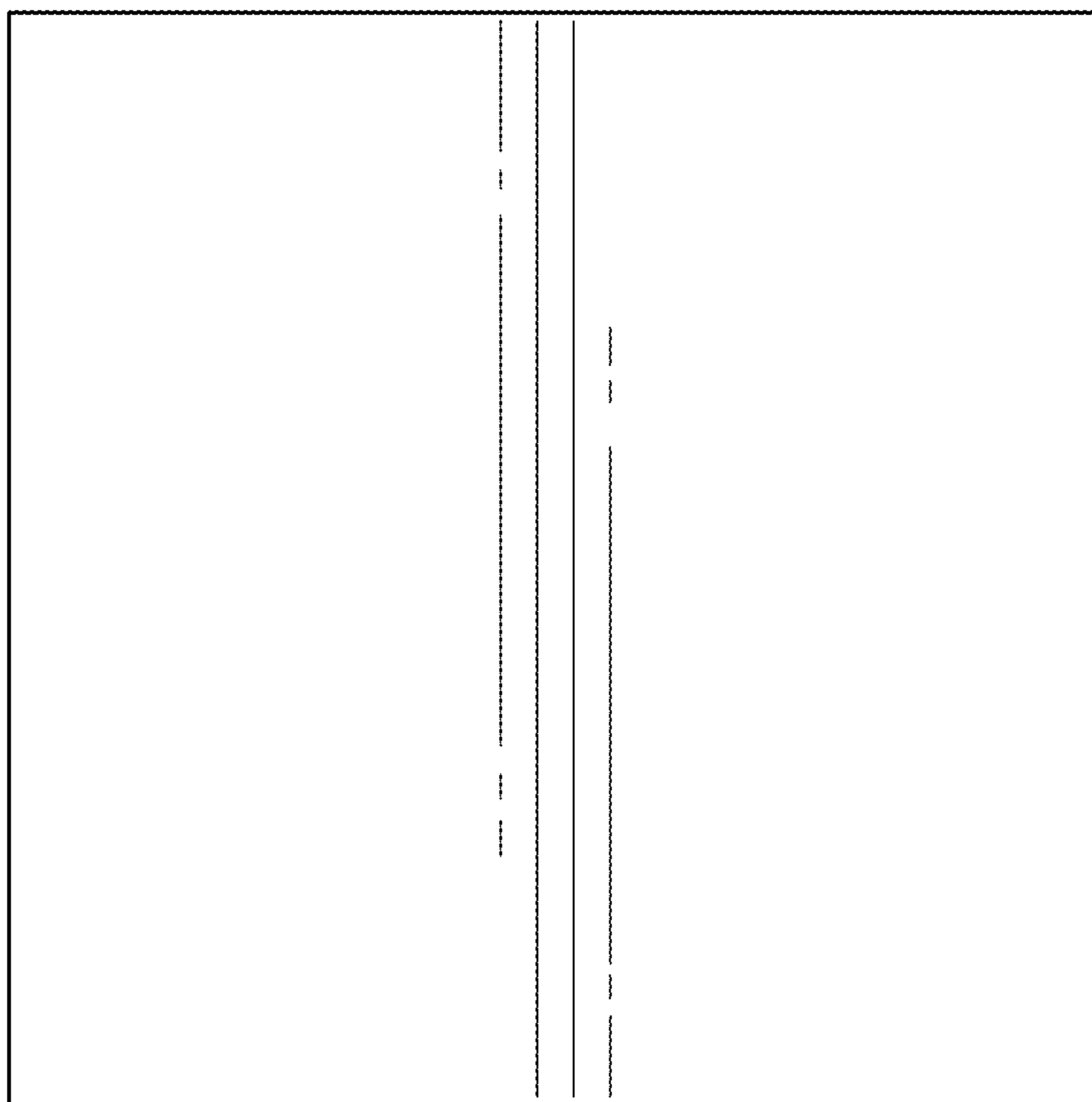


FIG. 4

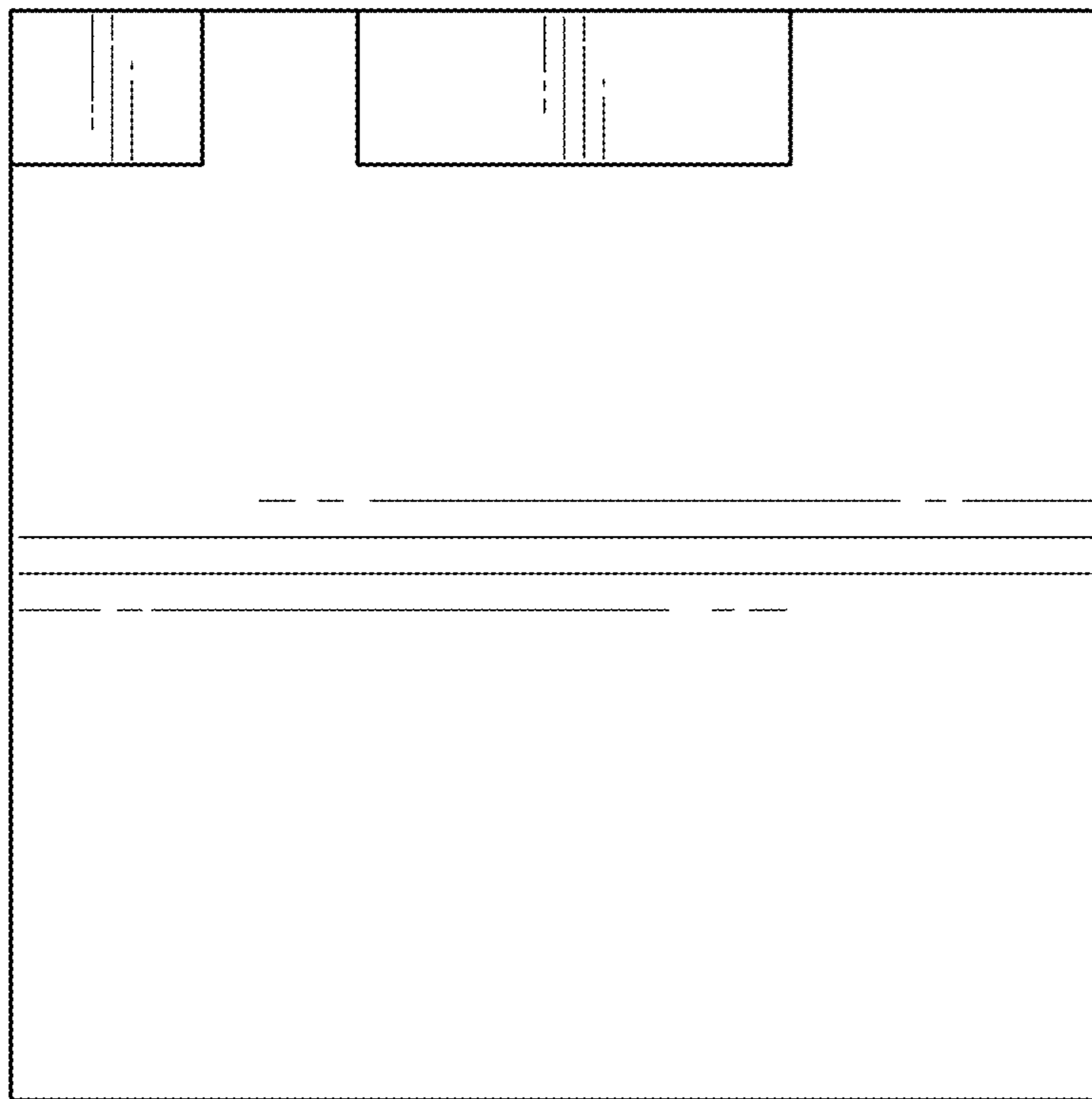


FIG. 5

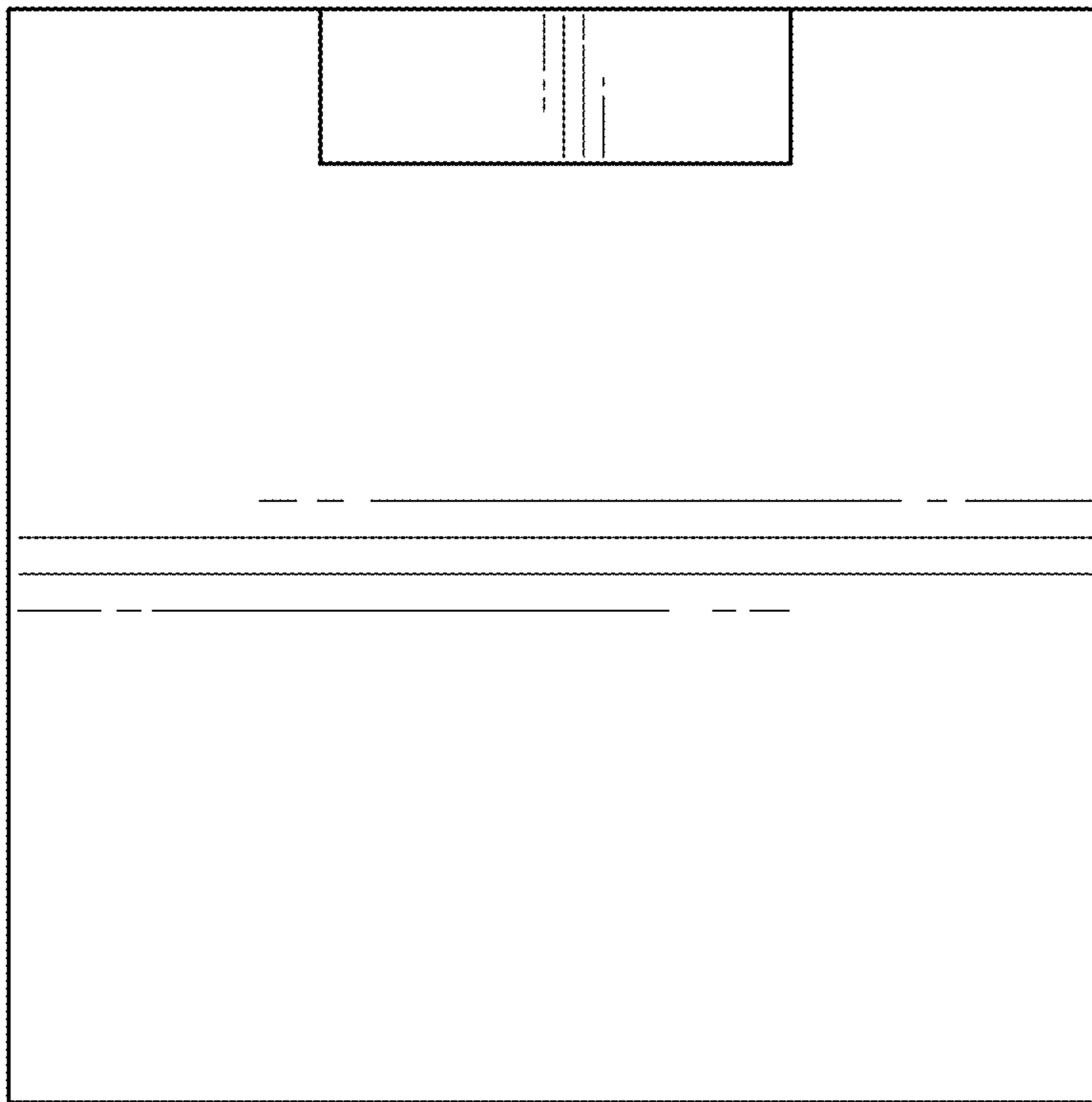


FIG. 6

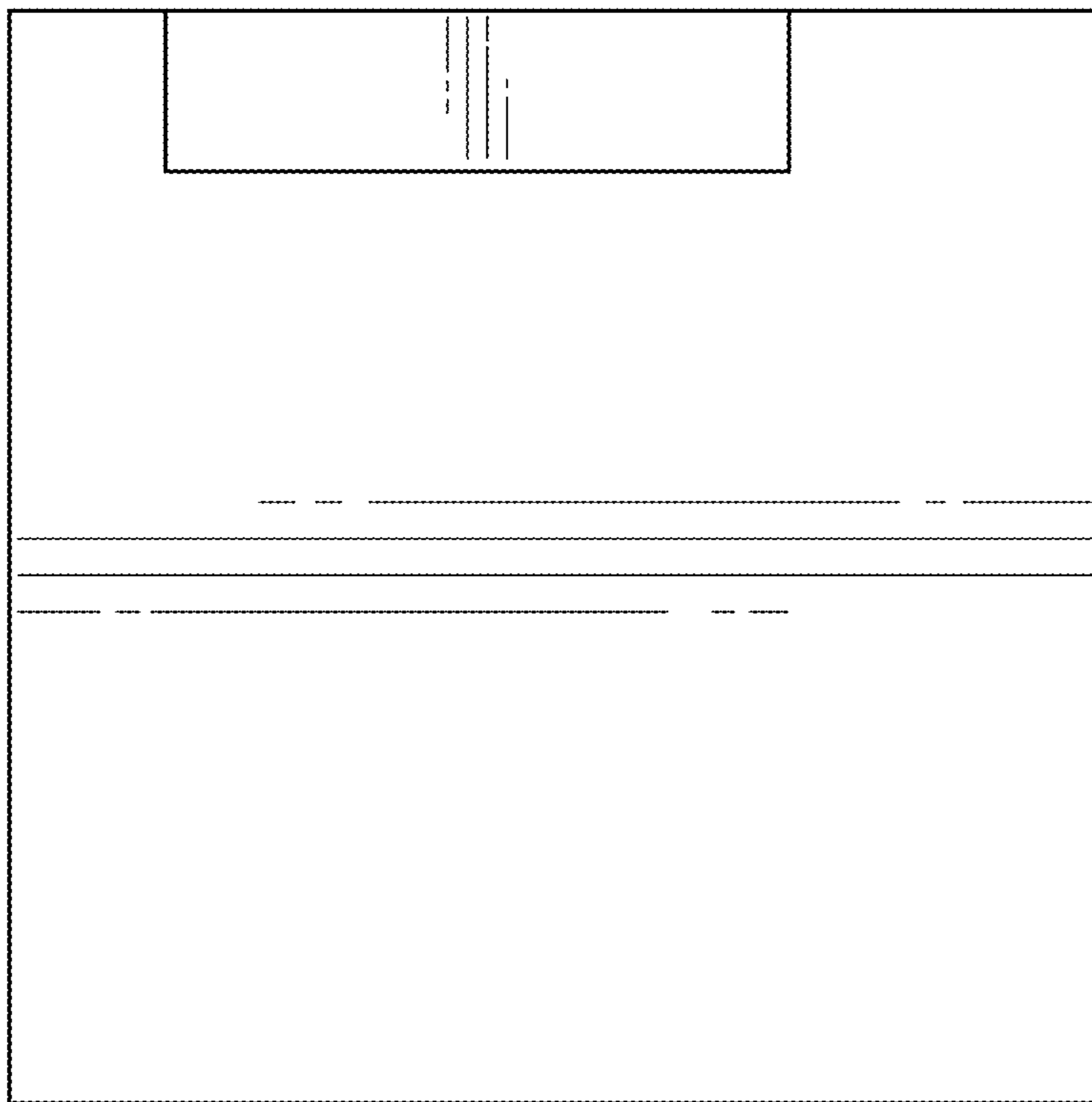


FIG. 7

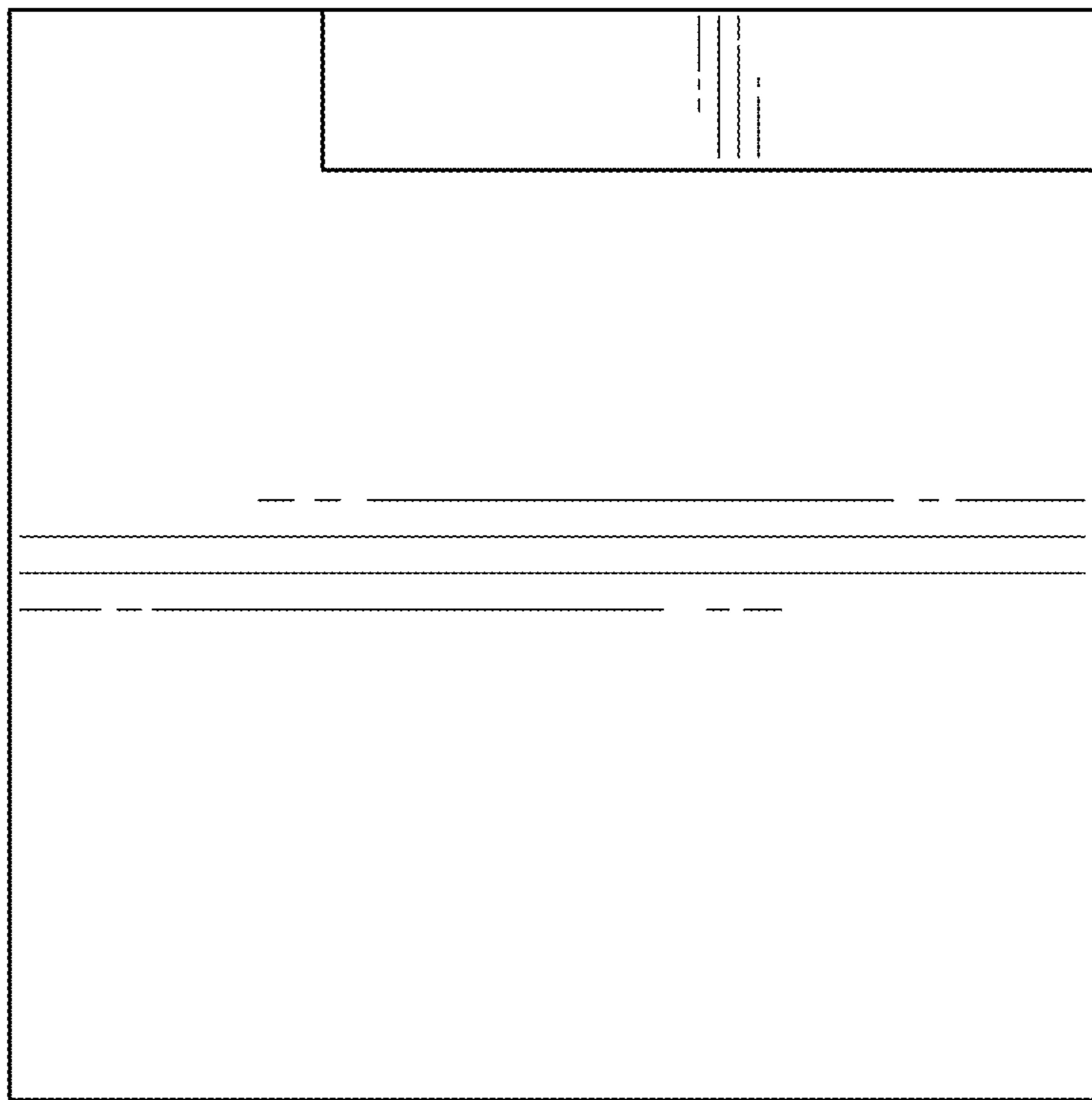


FIG. 8