



US00D824366S

(12) **United States Design Patent**  
**Luo et al.**

(10) **Patent No.:** **US D824,366 S**  
(45) **Date of Patent:** **\*\* Jul. 31, 2018**

- (54) **LOUDSPEAKER BOX**
- (71) Applicant: **Shenzhen Aozhuo Linghang Co., Ltd.**,  
Shenzhen, Guangdong (CN)
- (72) Inventors: **Jia Luo**, Guang Dong (CN); **Xi Chen**,  
Guang Dong (CN)
- (\*\*) Term: **15 Years**
- (21) Appl. No.: **29/550,175**
- (22) Filed: **Dec. 30, 2015**
- (51) **LOC (11) Cl.** ..... **14-01**
- (52) **U.S. Cl.**  
USPC ..... **D14/216**
- (58) **Field of Classification Search**  
USPC ..... D14/168, 188, 194, 195, 196, 204, 210,  
D14/211, 212, 213, 214, 215, 216  
CPC ..... B60R 11/0217; G06F 1/1688; G10K 9/22;  
G10K 11/004; H03F 1/327; H04M 1/03;  
H04M 1/035; H04N 5/642; H04N  
21/4852; H04S 3/00; H04S 7/30; H04R  
1/02; H04R 1/06; H04R 1/021; H04R  
1/025; H04R 1/026; H04R 1/028; H04R  
1/105; H04R 1/323; H04R 1/403; H04R  
1/2803; H04R 1/2834; H04R 5/02; H04R  
7/20; H04R 9/06; H04R 9/025; H04R  
2201/021; H04R 2400/00; H04R 2400/07;  
H04R 2499/11; H04R 2499/13; H04R  
2499/15  
See application file for complete search history.

(56) **References Cited**

**U.S. PATENT DOCUMENTS**

D287,853 S *	1/1987	Siegel .....	D14/194
D351,596 S *	10/1994	Pierotti .....	D14/188
D389,139 S *	1/1998	Oross .....	D14/137
D396,722 S *	8/1998	Benedetti .....	D14/194
D418,137 S *	12/1999	Zeitman .....	D14/194
D442,940 S *	5/2001	Huthmaker .....	D14/192
D481,374 S *	10/2003	Lee .....	D14/188
D485,823 S *	1/2004	Tong .....	D14/196

D496,345 S *	9/2004	Shively .....	D14/188
D524,292 S *	7/2006	Tyneski .....	D14/216
D535,284 S *	1/2007	Peng .....	D14/188
D539,782 S *	4/2007	Lee .....	D14/188
D548,721 S *	8/2007	Lee .....	D14/188

(Continued)

**OTHER PUBLICATIONS**

CNET—B&O Play by Bang & Olufsen, announced Apr. 28, 2017 [online], [site visited Jun. 28, 2017]. Available from internet, URL: <<https://www.cnet.com/products/b-o-play-by-bang-olufsen-beoplay-p2/preview/>>.\*

(Continued)

*Primary Examiner* — Keli L Hill  
*Assistant Examiner* — Karra S Johnson

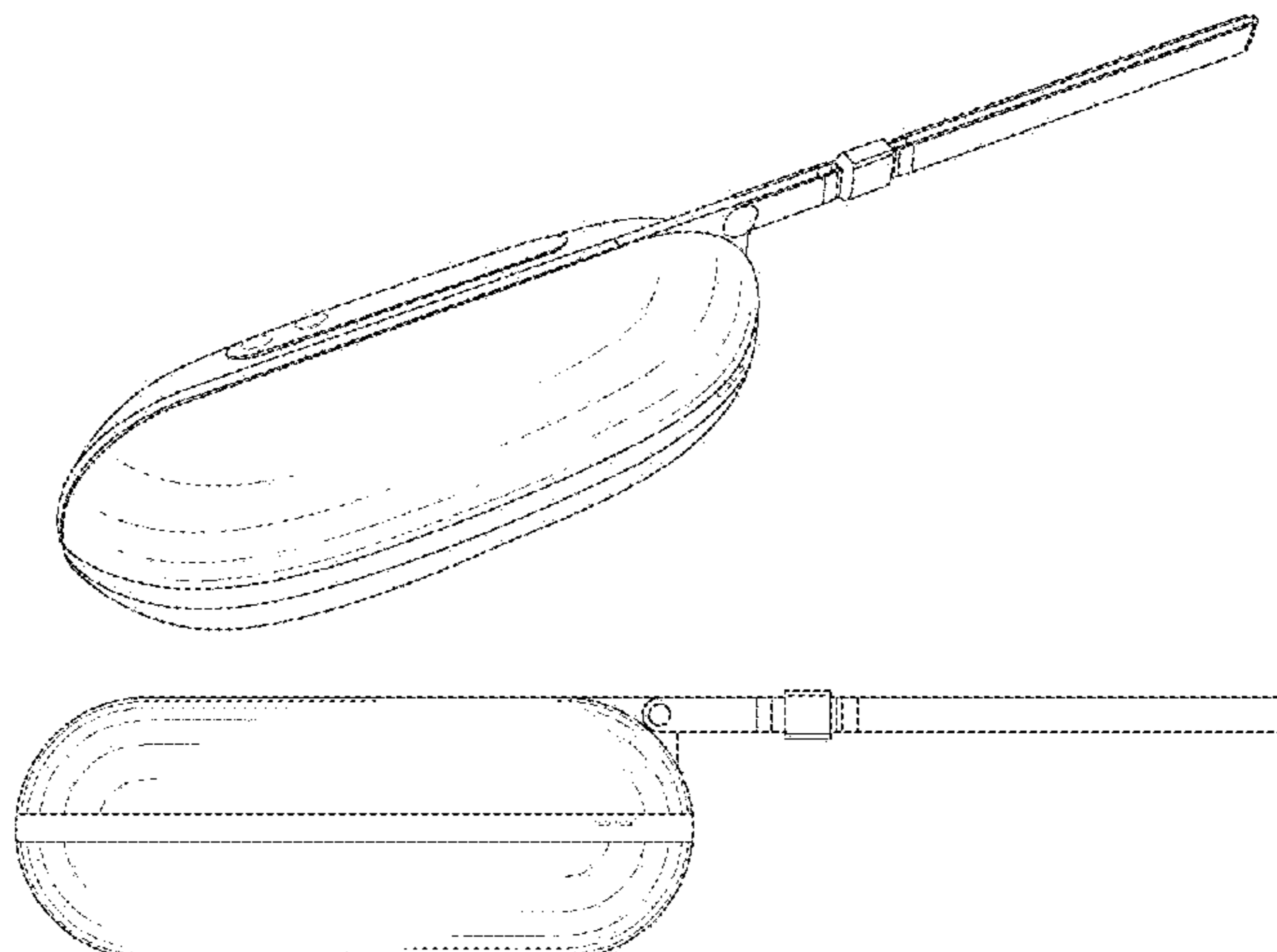
(57) **CLAIM**

The ornamental design for a loudspeaker box, as shown and described.

**DESCRIPTION**

FIG. 1 is a perspective view of a loudspeaker box embodying our new design.  
FIG. 2 is a top view thereof.  
FIG. 3 is a bottom view thereof.  
FIG. 4 is a right side view thereof.  
FIG. 5 is a left side view thereof.  
FIG. 6 is a back view thereof.  
FIG. 7 is a front view thereof; and,  
FIG. 8 is another left view thereof, with a lanyard portion shown disconnected from a body section.  
Broken lines are used to illustrate features of the loudspeaker box which form no part of the claimed design. In the loudspeaker box, broken lines showing the two circular shapes near the top of the loudspeaker box, the two elongated shapes on the left side of the loudspeaker box, and the bottom surface of the loudspeaker box form no part of the claimed design.

**1 Claim, 7 Drawing Sheets**



(56)

**References Cited**

U.S. PATENT DOCUMENTS

D551,668	S	*	9/2007	Newby	.....	D14/433
D560,211	S	*	1/2008	Kim	.....	D14/216
D587,269	S	*	2/2009	Keeports	.....	D14/188
D646,280	S	*	10/2011	Yano	.....	D14/188
D664,146	S	*	7/2012	Hoehn	.....	D14/433
D716,755	S	*	11/2014	Yong	.....	D14/188
D718,741	S	*	12/2014	Lui	.....	D14/216

OTHER PUBLICATIONS

Amazon—Honstek K5 Portable Speaker, announced Nov. 8, 2016 [online], [site visited Jun. 28, 2017]. Available from internet, URL: <<https://www.amazon.com/Honstek-K5-Portable-Bluetooth-Light-weight-Waterproof/dp/B01MSIX4H0>>.\*

\* cited by examiner

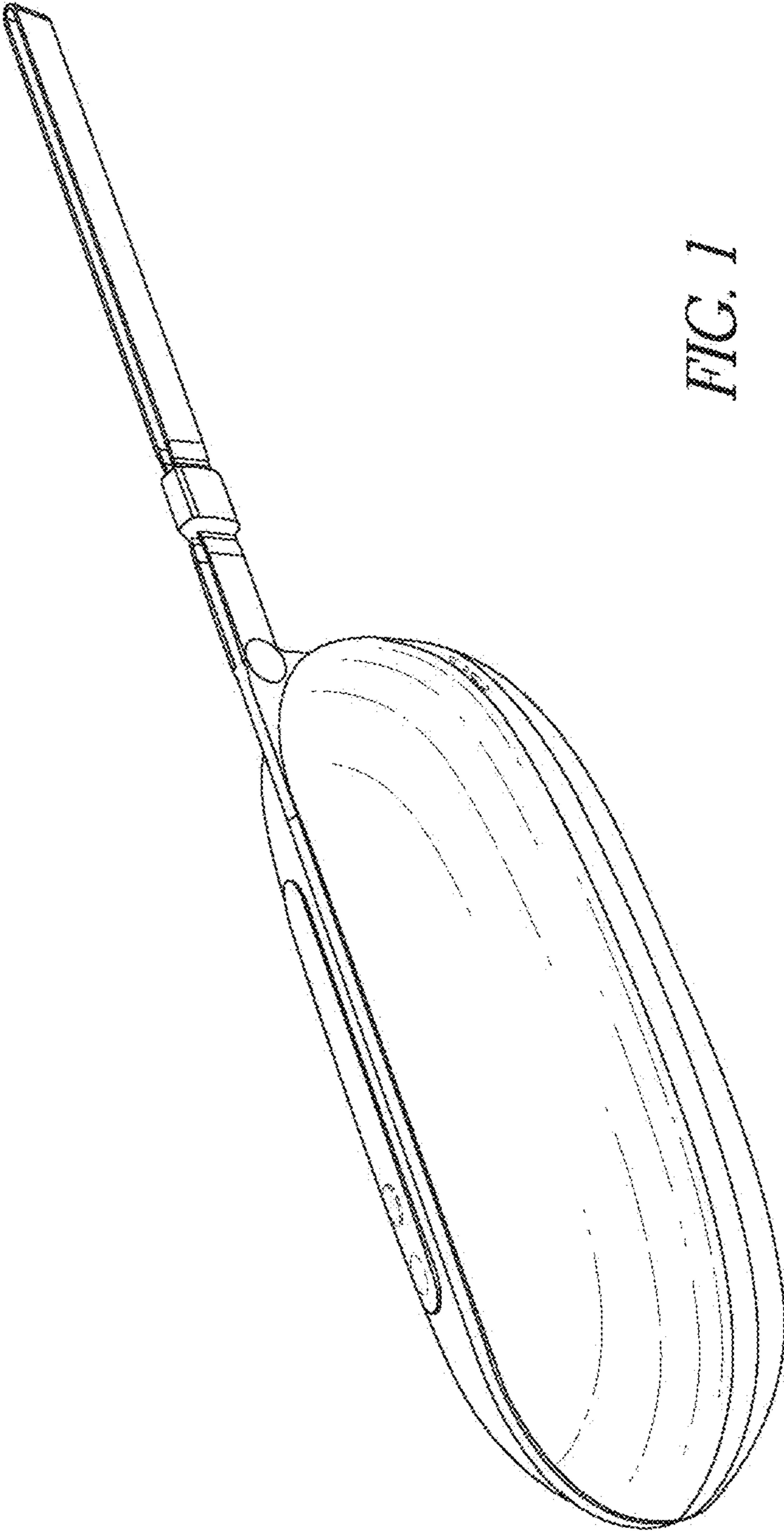


FIG. 1

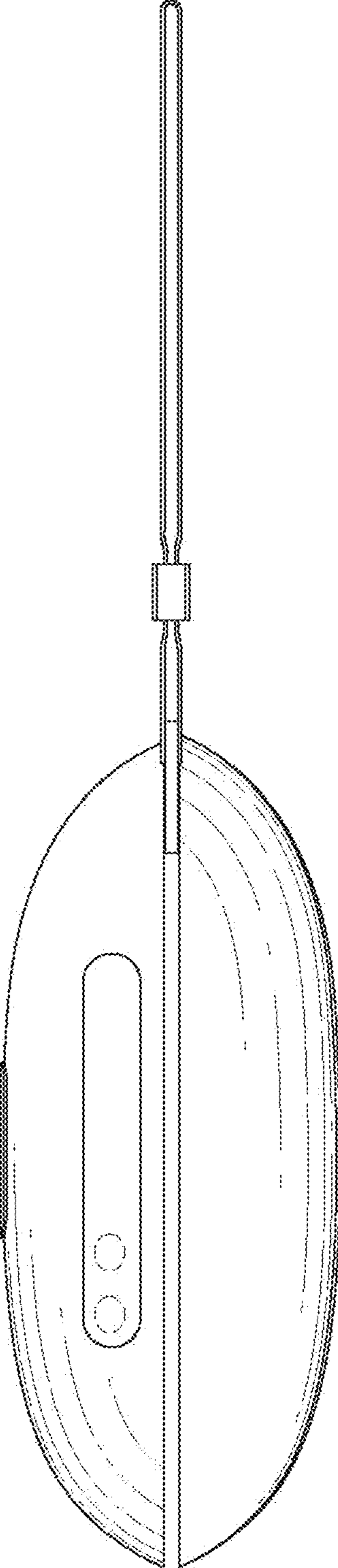


FIG. 2

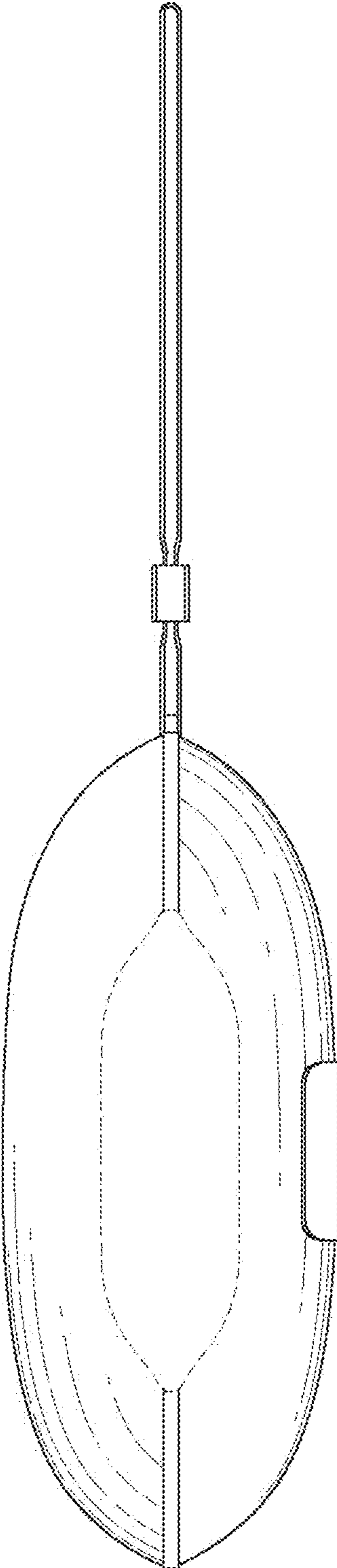


FIG. 3

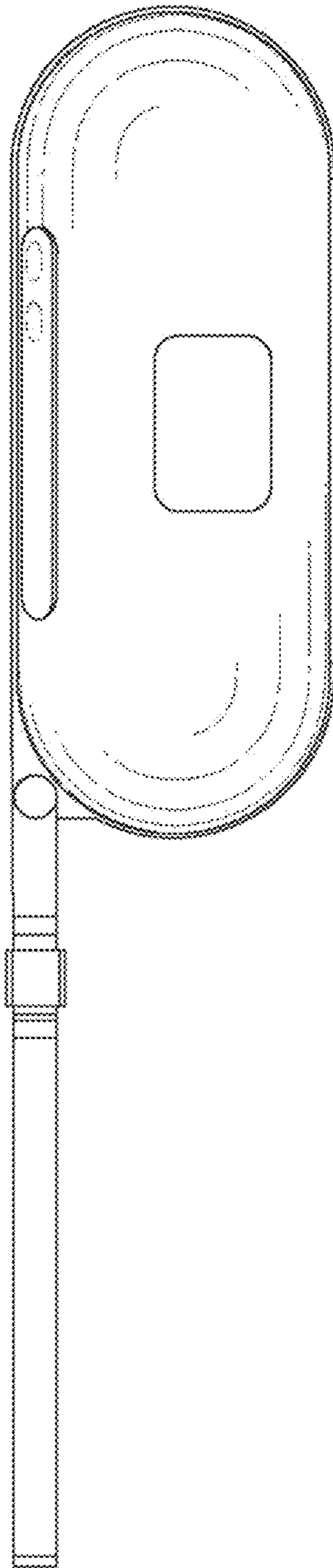


FIG. 4

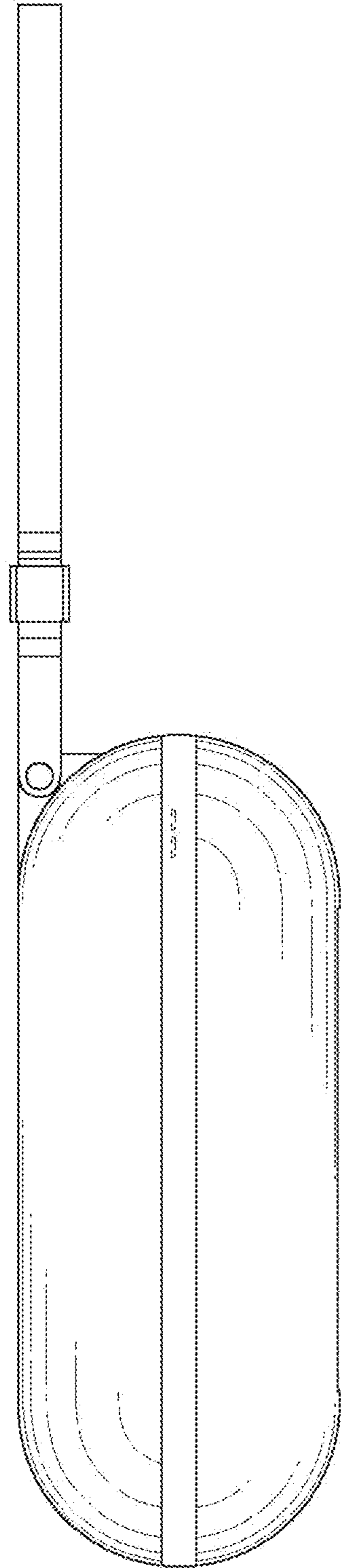


FIG. 5

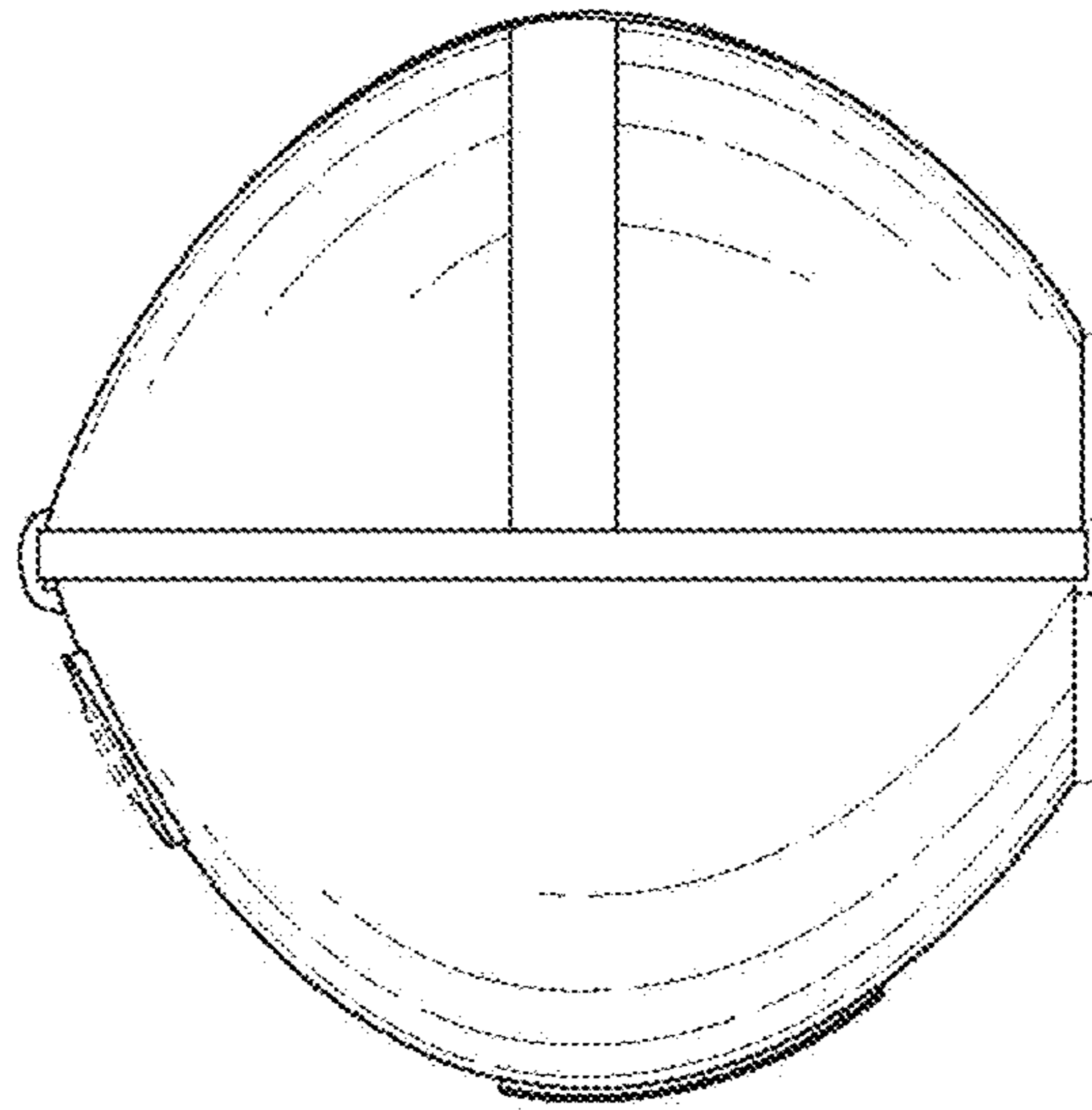


FIG. 7

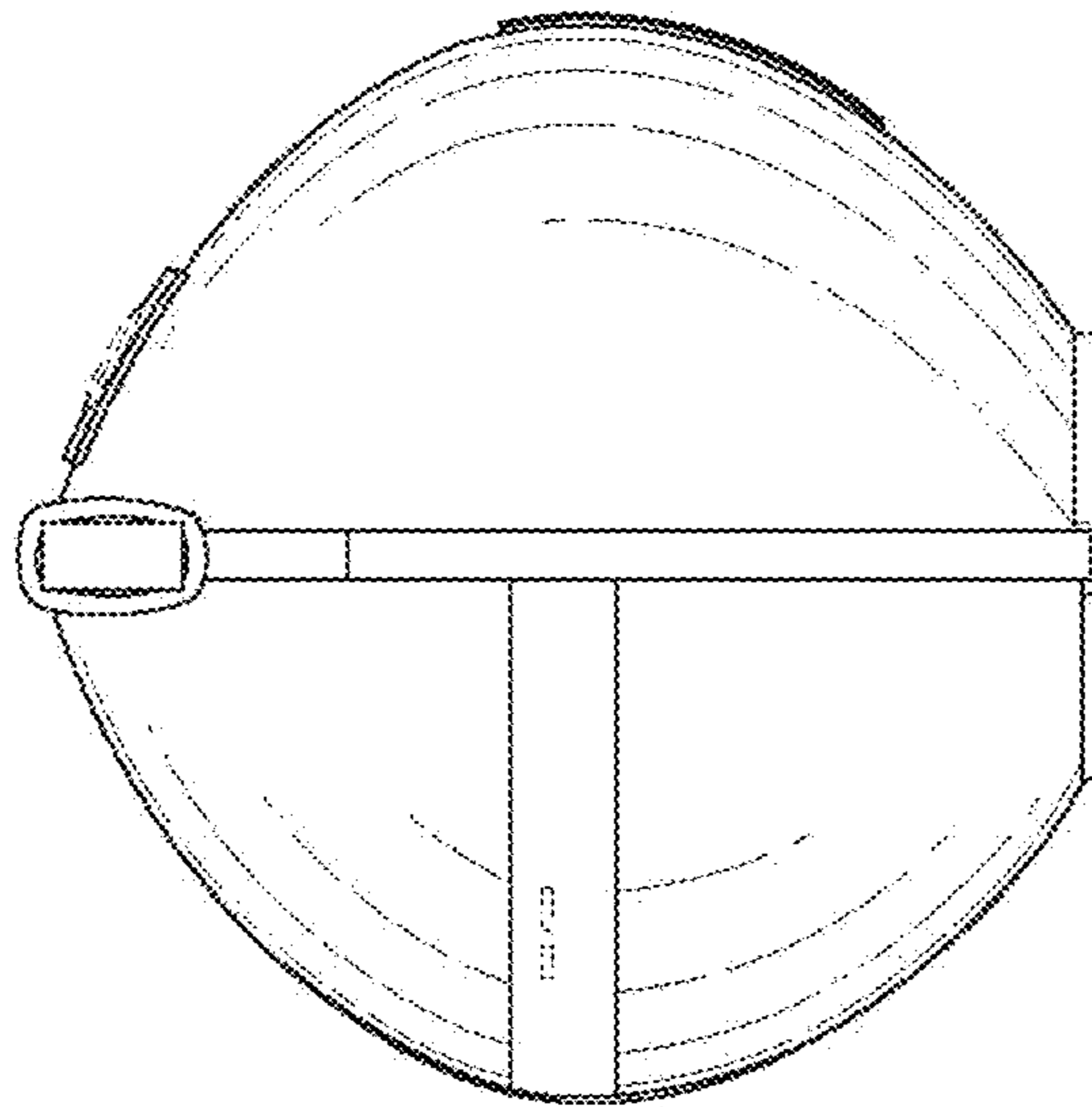


FIG. 6



FIG. 8

