



US00D824359S

(12) **United States Design Patent**
Czaniecki

(10) **Patent No.:** **US D824,359 S**
(45) **Date of Patent:** **** Jul. 31, 2018**

(54) **HEADPHONE**

(71) Applicant: **Harman International Industries, Incorporated**, Northridge, CA (US)

(72) Inventor: **Rafal Czaniecki**, Shenzhen (CN)

(73) Assignee: **Harman International Industries, Incorporated**, Northridge, CA (US)

(**) Term: **15 Years**

(21) Appl. No.: **29/592,110**

(22) Filed: **Jan. 26, 2017**

Related U.S. Application Data

(63) Continuation-in-part of application No. 29/576,111, filed on Aug. 31, 2016.

(51) **LOC (11) Cl.** **14-01**

(52) **U.S. Cl.**
USPC **D14/205; D14/223**

(58) **Field of Classification Search**
USPC D14/223, 205; 181/129, 130, 135;
381/380, 381, 328, 330; 455/90.3, 575.1,
455/569.1; 379/430, 431
CPC H04R 1/10; H04R 25/00; H04R 25/02;
H04R 1/1016; H04R 1/1066; H04R
5/033; H04R 5/0335
See application file for complete search history.

(56) **References Cited**

U.S. PATENT DOCUMENTS

D318,670 S	7/1991	Taniguchi	
D326,655 S	6/1992	Iribe	
5,222,151 A	6/1993	Nagayoshi et al.	
5,410,608 A *	4/1995	Lucey	H04R 1/083 381/360
6,122,369 A	9/2000	Hwang et al.	
6,222,151 B1	4/2001	Ziolkowski et al.	
D473,217 S	4/2003	Rivera	

D539,782 S	4/2007	Lee	
D567,217 S	4/2008	Kamo et al.	
D569,841 S *	5/2008	Chung	D14/205
D576,154 S *	9/2008	Ledbetter	D14/223
D587,681 S	3/2009	Yanai	
D594,441 S *	6/2009	Lee	D14/205
D598,894 S *	8/2009	Masuda	D14/205
D599,778 S *	9/2009	Ando	D14/205
D605,628 S	12/2009	Ando	
D614,168 S *	4/2010	Rogers	D14/206

(Continued)

Primary Examiner — Paula Allen Greene

(74) *Attorney, Agent, or Firm* — Plumsea Law Group, LLC

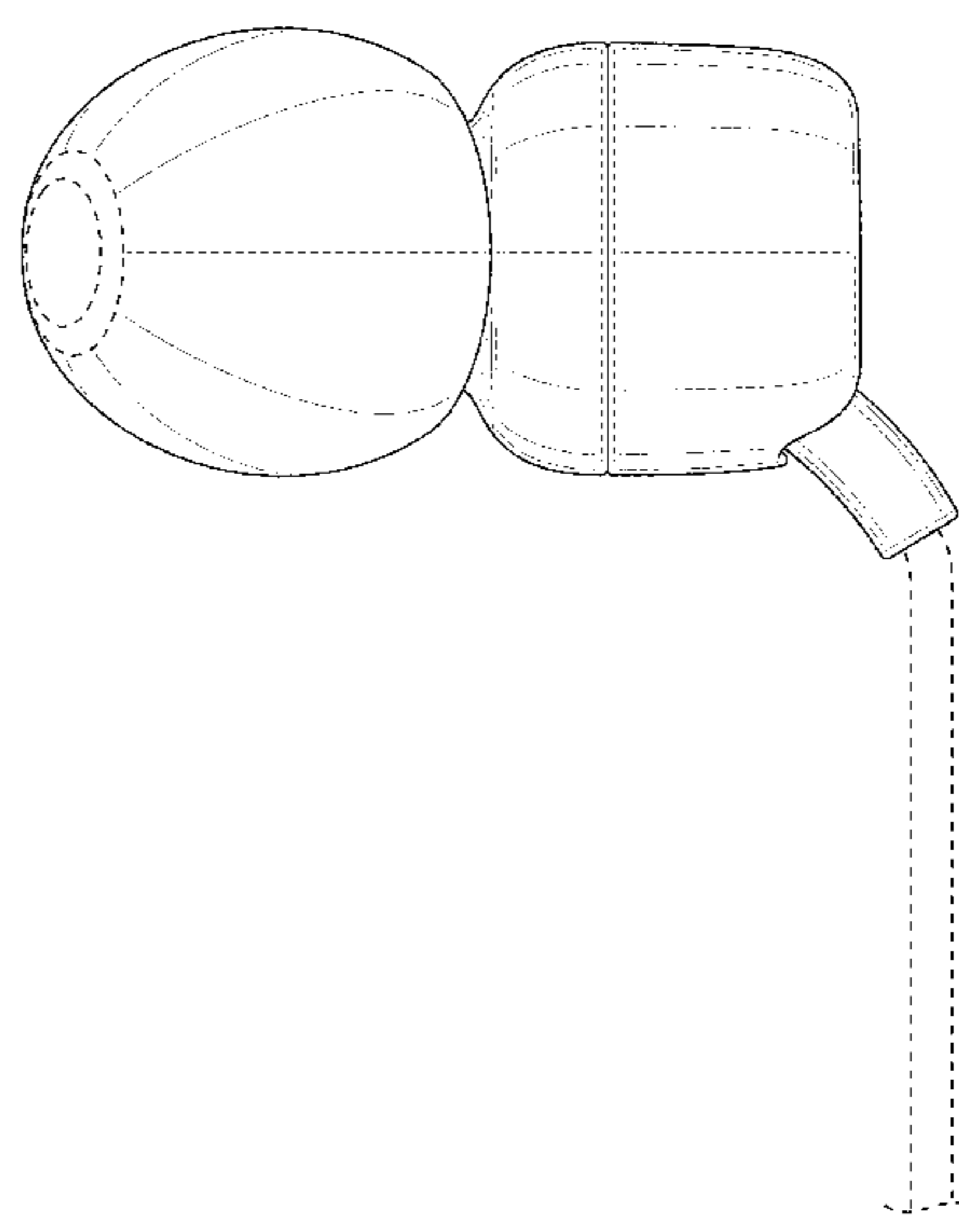
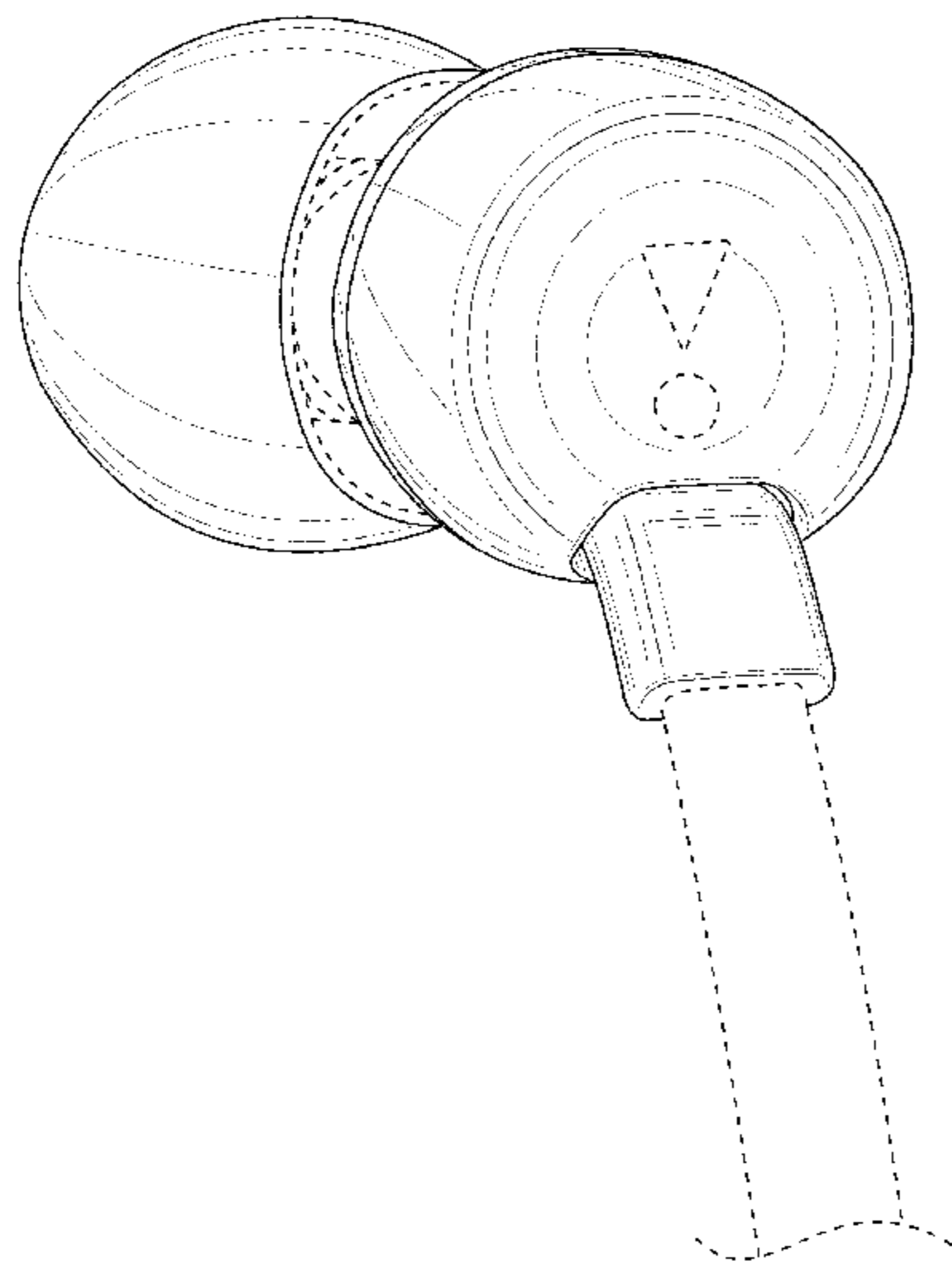
(57) **CLAIM**

The ornamental design for a headphone, as shown and described.

DESCRIPTION

FIG. 1 is a perspective view of a headphone showing the new design;
 FIG. 2 is a front elevational view thereof;
 FIG. 3 is a rear elevational view thereof;
 FIG. 4 is a side elevational view of one side thereof;
 FIG. 5 is a side elevational view of the opposite side thereof;
 FIG. 6 is a top plan view thereof;
 FIG. 7 is a bottom plan view thereof;
 FIG. 8 is a perspective view of an opposite-handed embodiment of the headphone of FIG. 1;
 FIG. 9 is a front elevational view thereof;
 FIG. 10 is a rear elevational view thereof;
 FIG. 11 is a side elevational view of one side thereof;
 FIG. 12 is a side elevational view of the opposite side thereof;
 FIG. 13 is a top plan view thereof; and,
 FIG. 14 is a bottom plan view thereof.
 The broken lines and unshaded areas form no part of the claimed design.

1 Claim, 14 Drawing Sheets



(56)

References Cited

U.S. PATENT DOCUMENTS

D618,209 S 6/2010 Andre et al.
 D627,764 S 11/2010 Tsai et al.
 7,920,902 B2 4/2011 Carroll
 D651,589 S 1/2012 Fischer
 D653,242 S 1/2012 Katsuraku et al.
 D654,056 S * 2/2012 Hoggarth D14/205
 D656,922 S * 4/2012 Massaro D14/223
 D666,581 S * 9/2012 Perez D14/223
 8,290,193 B2 * 10/2012 Pang H04R 1/1033
 381/370
 D674,904 S 1/2013 Aunio
 D680,102 S * 4/2013 Chen D14/223
 D685,764 S * 7/2013 Coulter D14/205
 D698,750 S 2/2014 Yoon
 D699,226 S 2/2014 Yoon
 8,731,227 B2 * 5/2014 Hwang H04R 1/1091
 181/135
 8,743,533 B2 6/2014 Stanley
 8,761,430 B2 * 6/2014 Zimmerman A44C 15/0015
 381/374
 D711,356 S * 8/2014 Yang D14/223
 D712,371 S 9/2014 Henning
 D726,145 S 4/2015 Hsieh et al.

D727,871 S * 4/2015 Orbach D14/205
 D728,528 S 5/2015 Akana et al.
 D743,381 S 11/2015 Pi et al.
 D746,792 S * 1/2016 Kim D14/205
 D767,532 S 9/2016 Jen
 D776,635 S * 1/2017 Chang D14/205
 D777,138 S * 1/2017 Fletcher D14/205
 D780,155 S * 2/2017 Levine D14/205
 D782,997 S 4/2017 Shin et al.
 D782,998 S 4/2017 Shin et al.
 D795,225 S * 8/2017 Sumii D14/223
 D804,445 S * 12/2017 Golnik D14/205
 D806,059 S * 12/2017 Ott D14/223
 2008/0166003 A1 7/2008 Hankey et al.
 2009/0238395 A1 9/2009 Jubelirer et al.
 2011/0110552 A1 * 5/2011 Pang H04R 1/1033
 381/374
 2011/0176700 A1 * 7/2011 Hashimoto H04R 1/1016
 381/380
 2012/0170790 A1 * 7/2012 Pang H04R 1/1033
 381/384
 2013/0170692 A1 * 7/2013 Kaneko H04R 1/1016
 381/380
 2015/0382099 A1 * 12/2015 Chu H04R 1/2811
 381/370

* cited by examiner

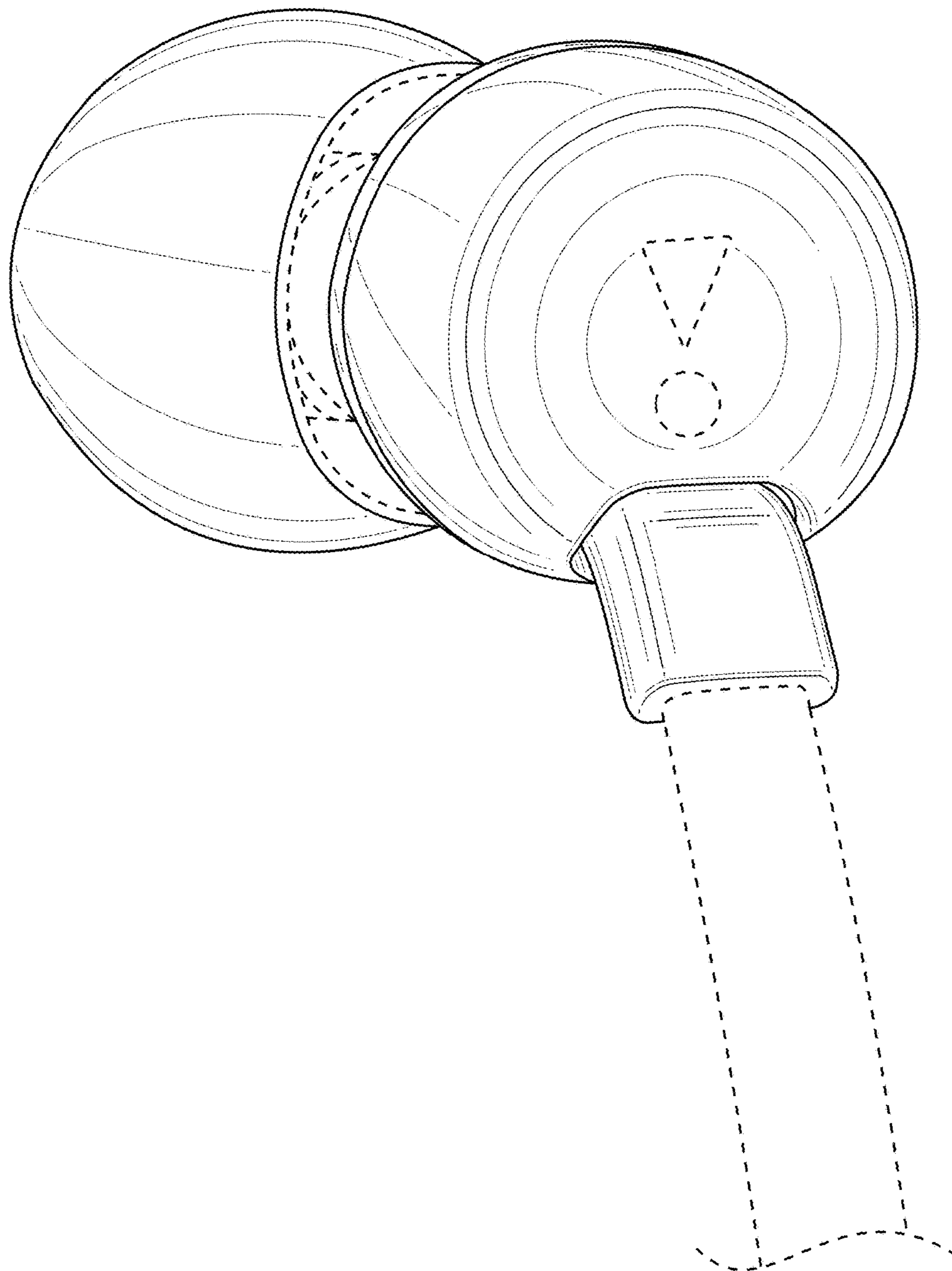


FIG. 1

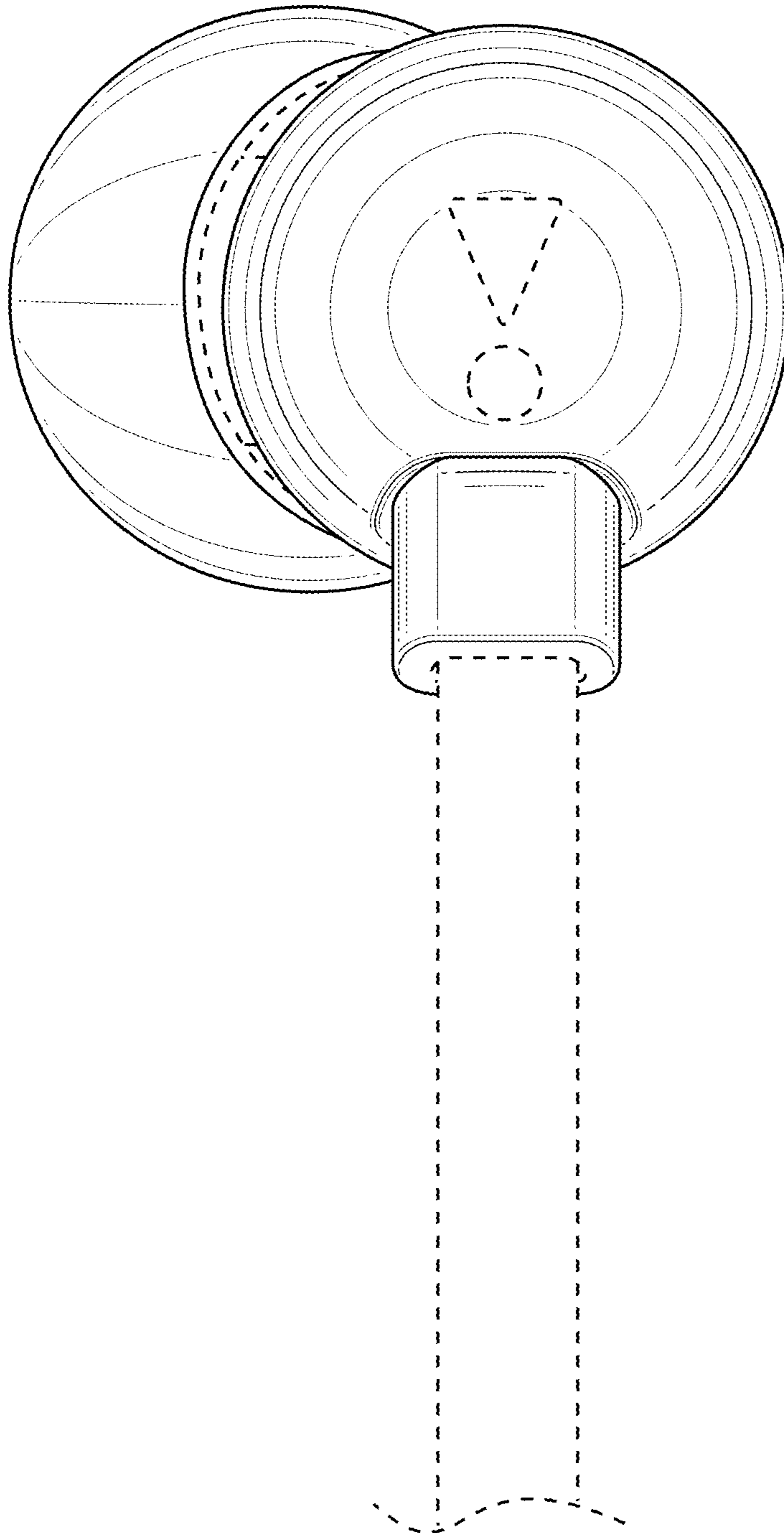


FIG. 2

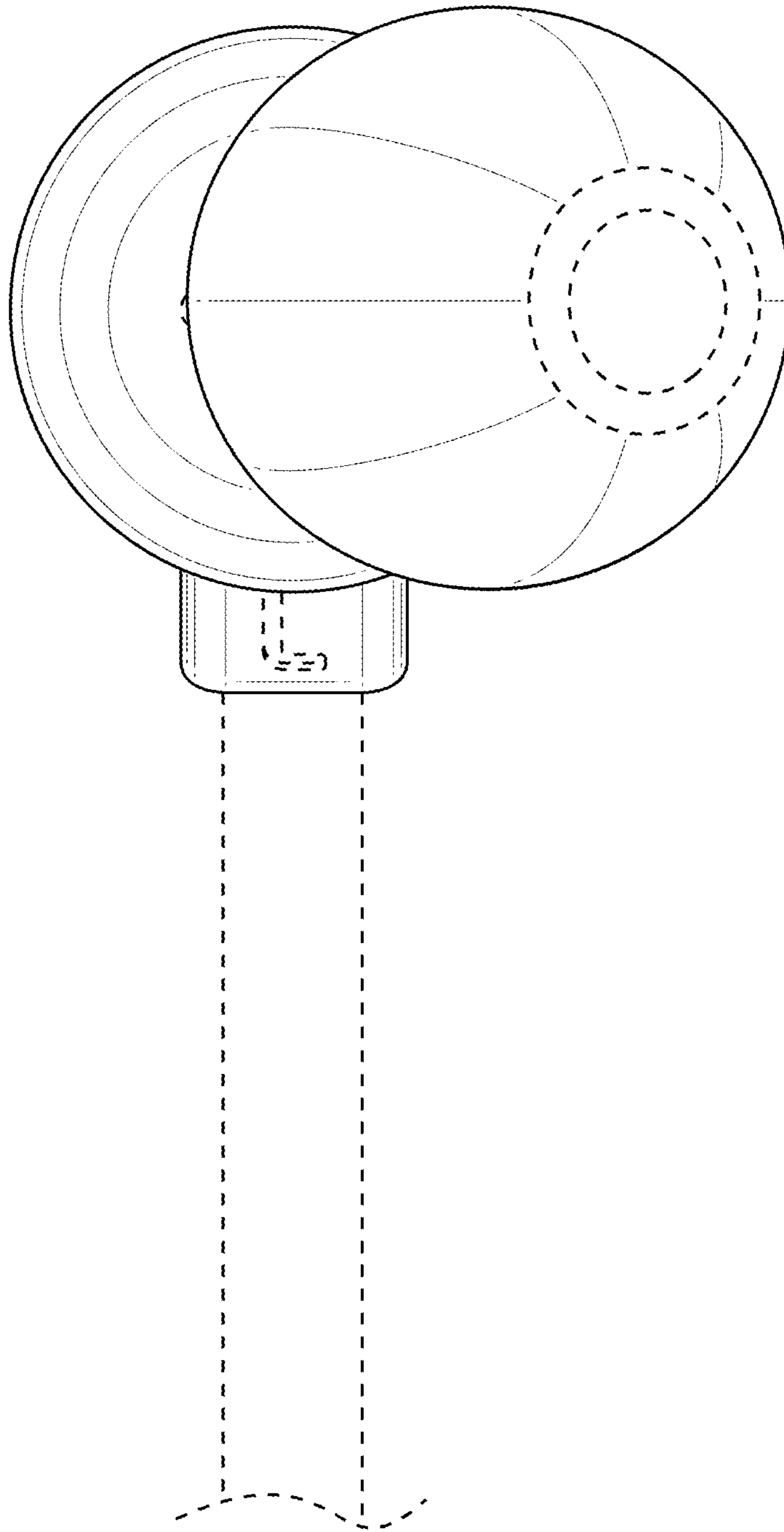


FIG. 3

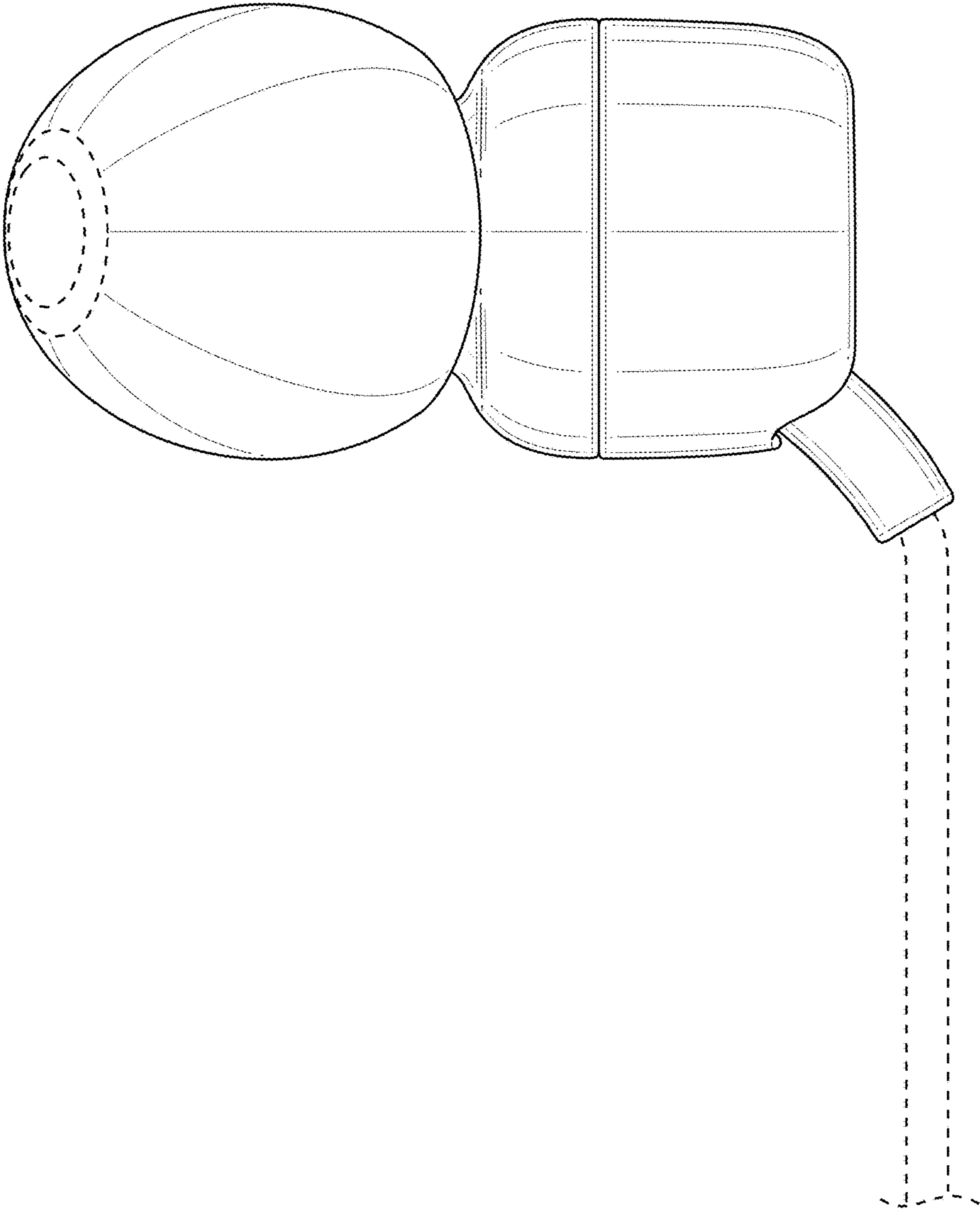


FIG. 4

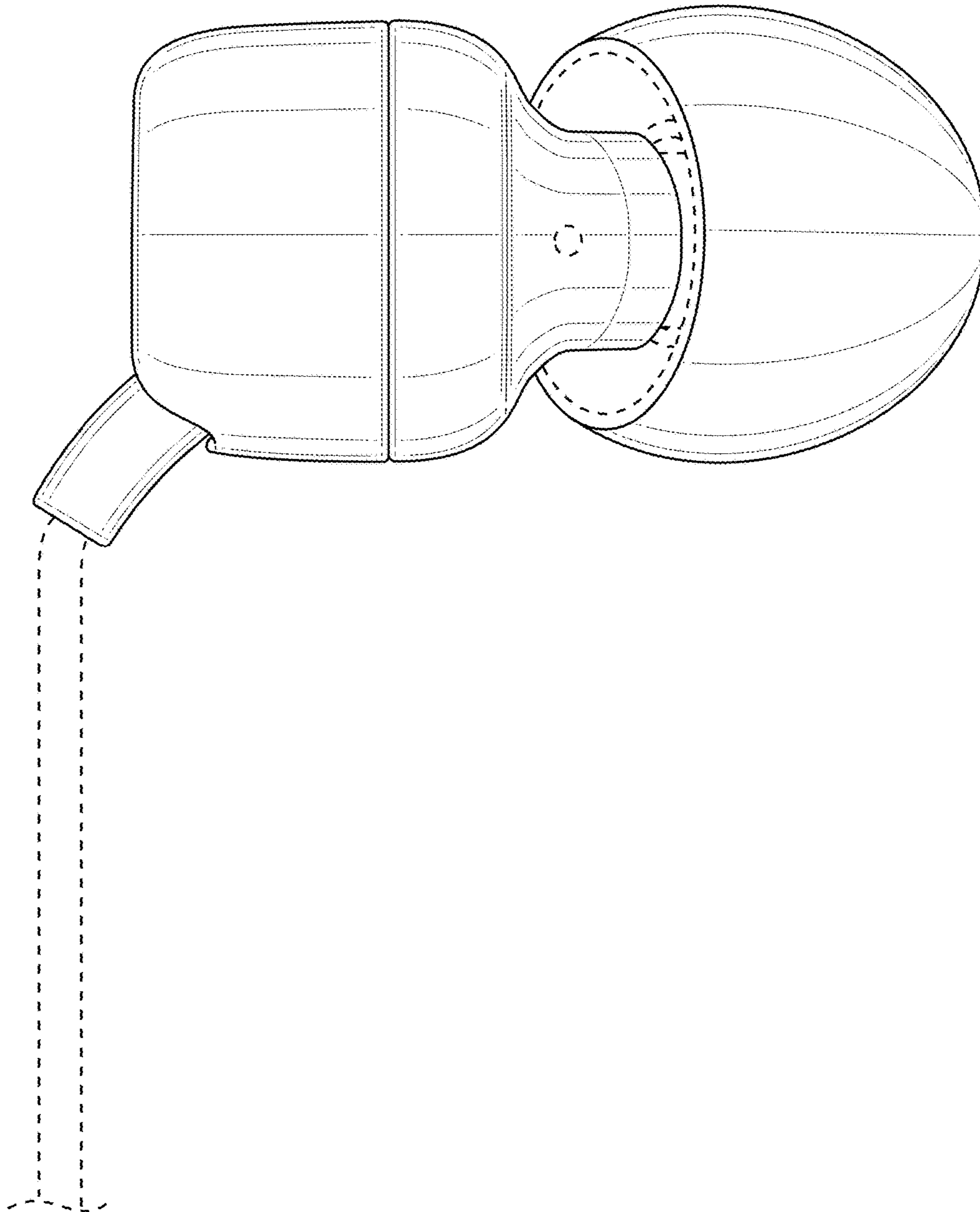


FIG. 5



FIG. 6

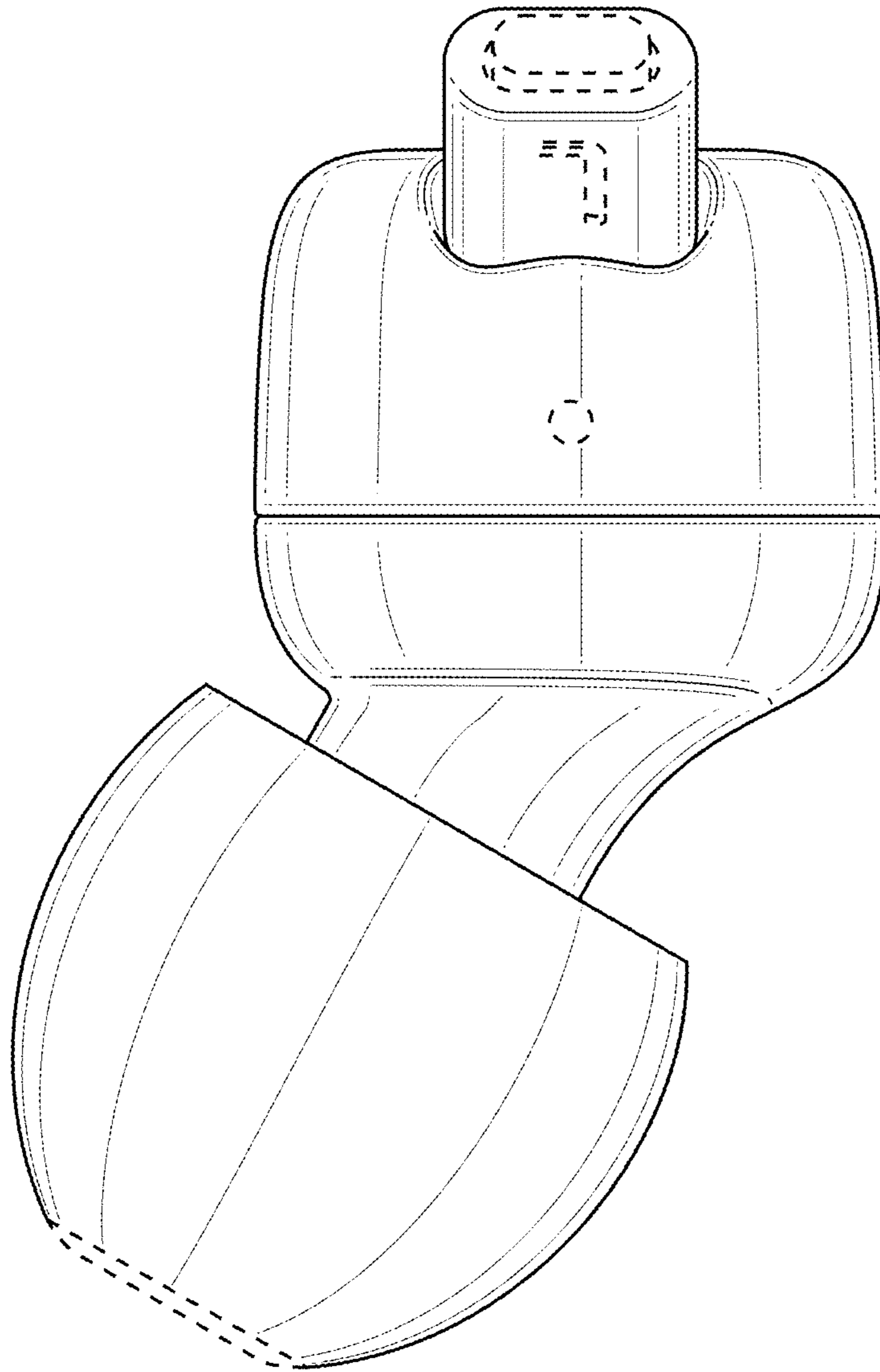


FIG. 7

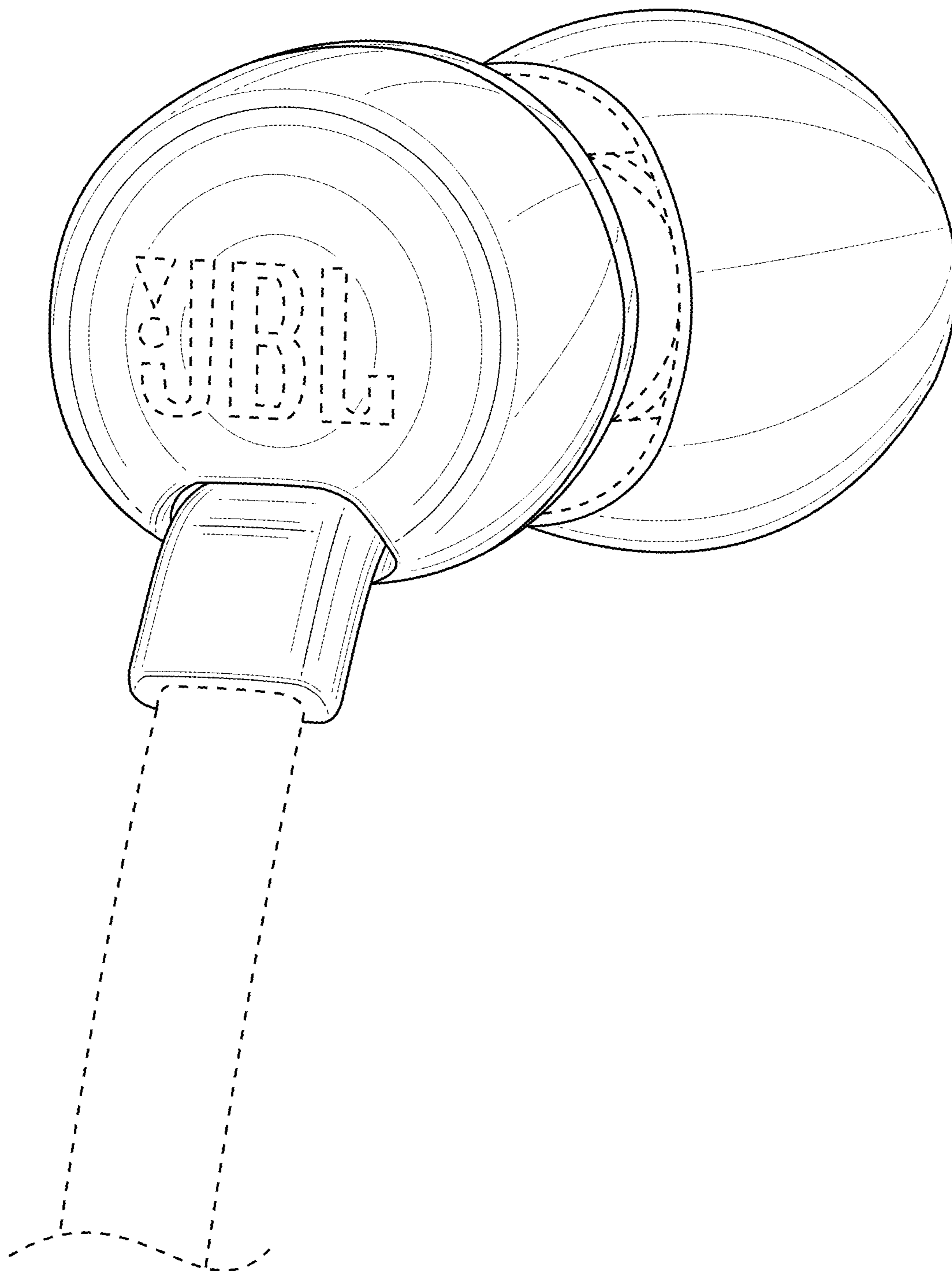


FIG. 8

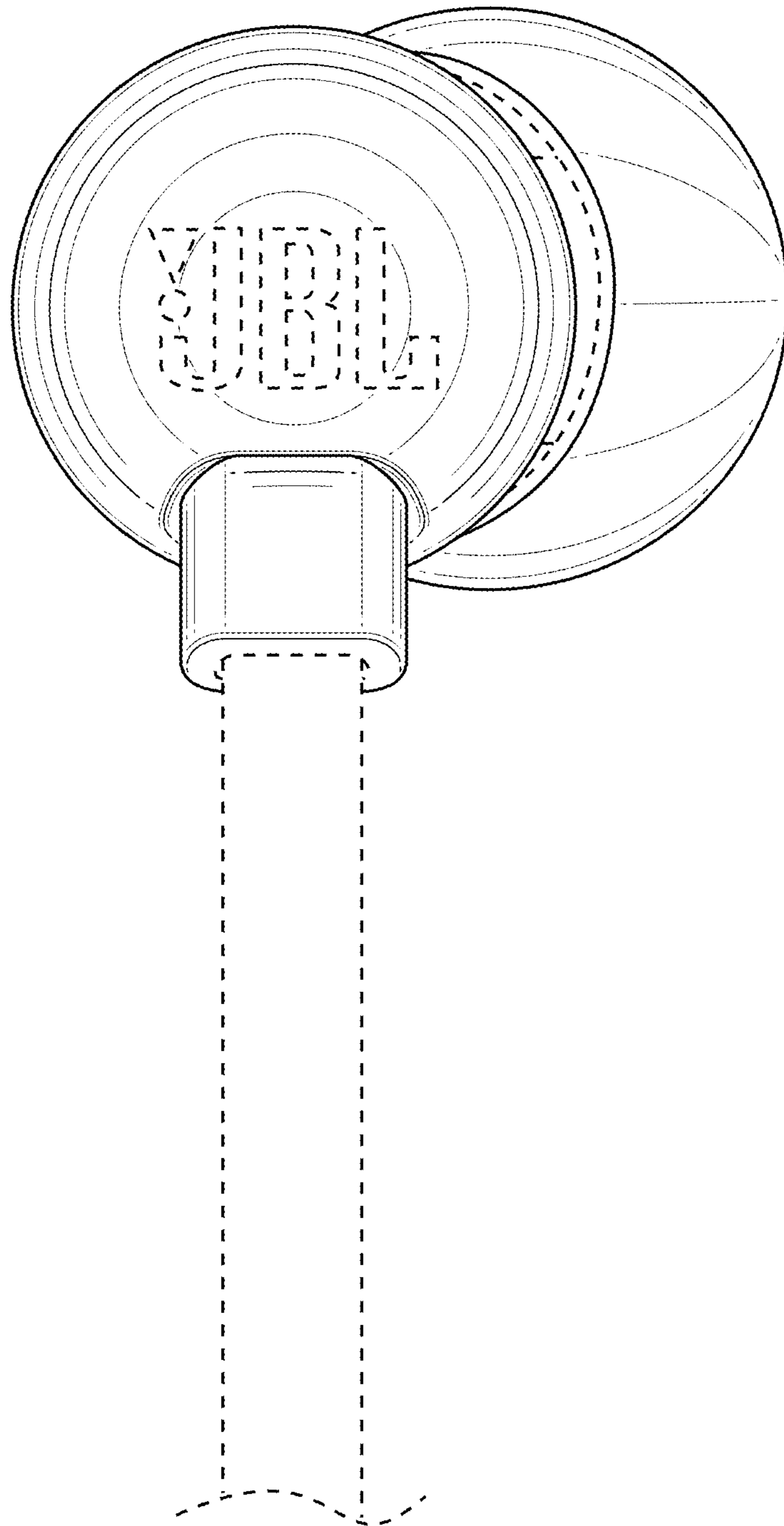


FIG. 9

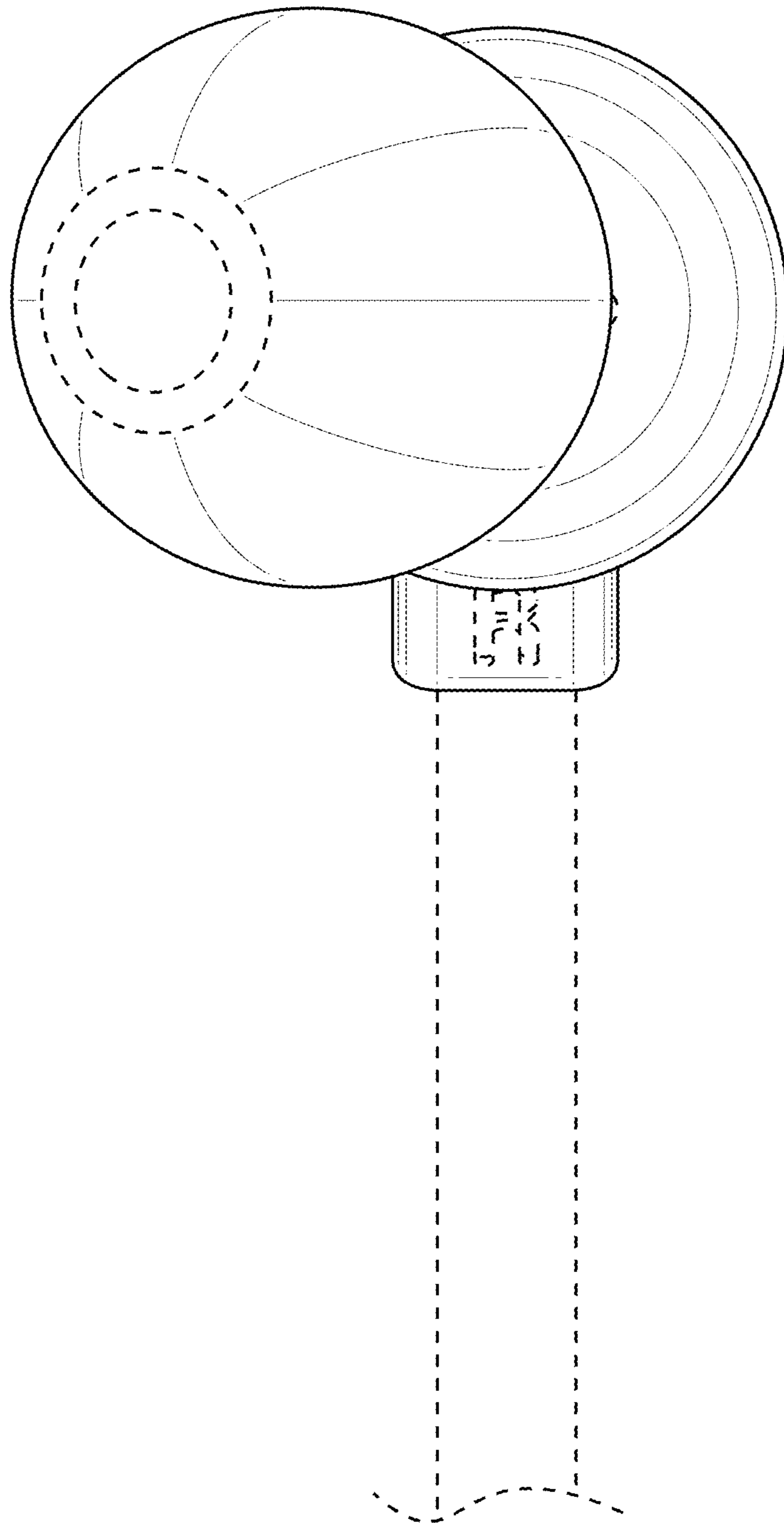


FIG. 10

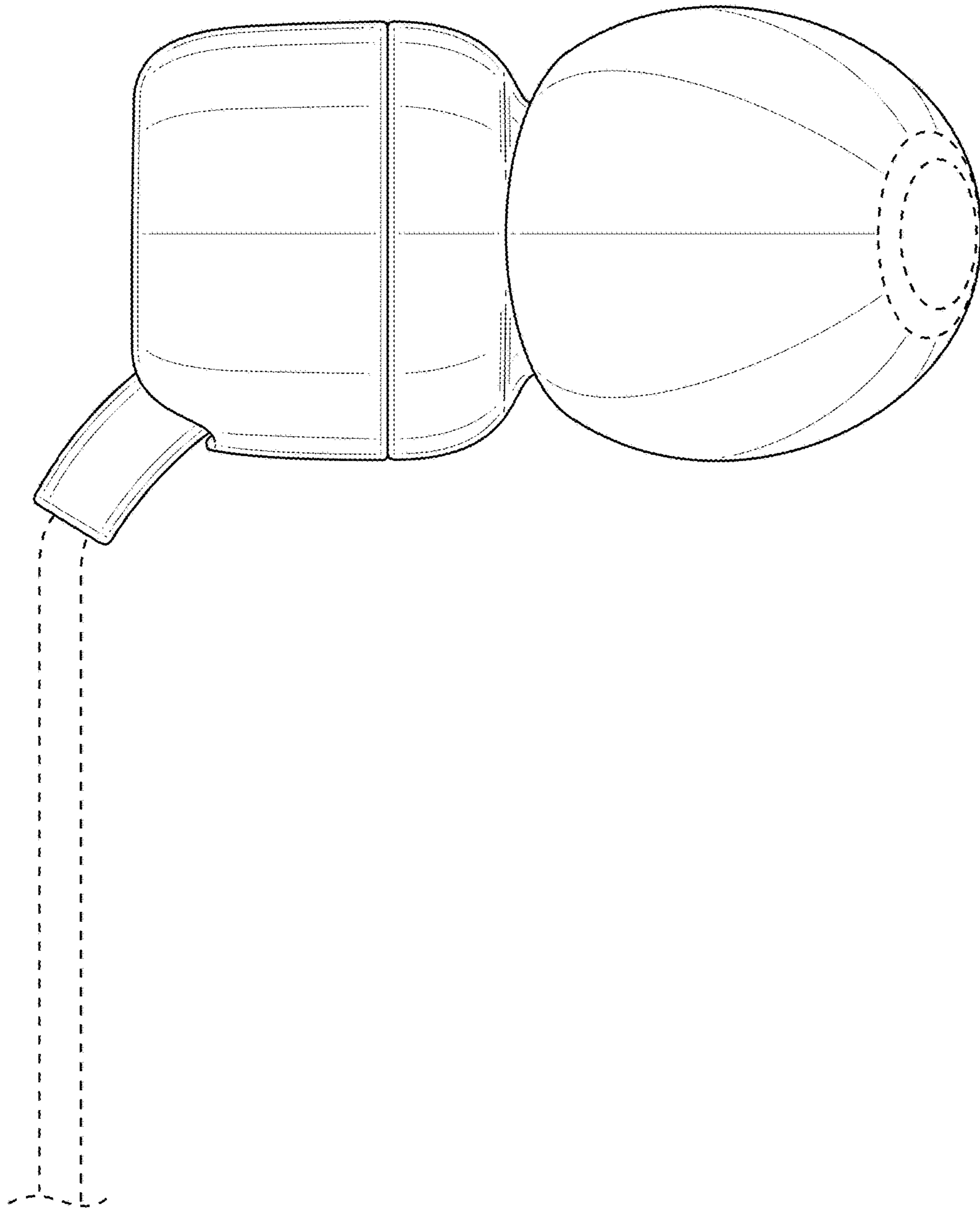


FIG. 11

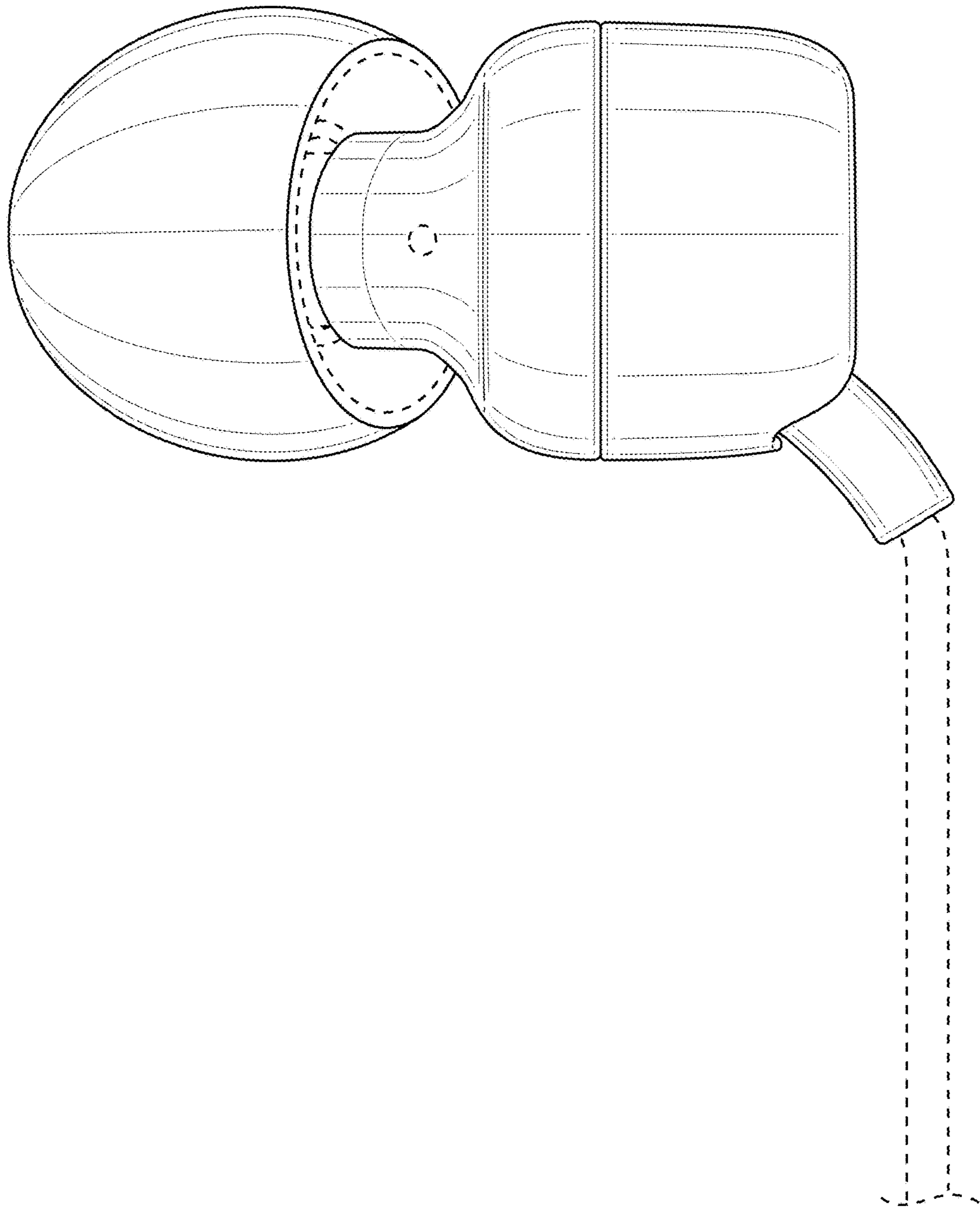


FIG. 12

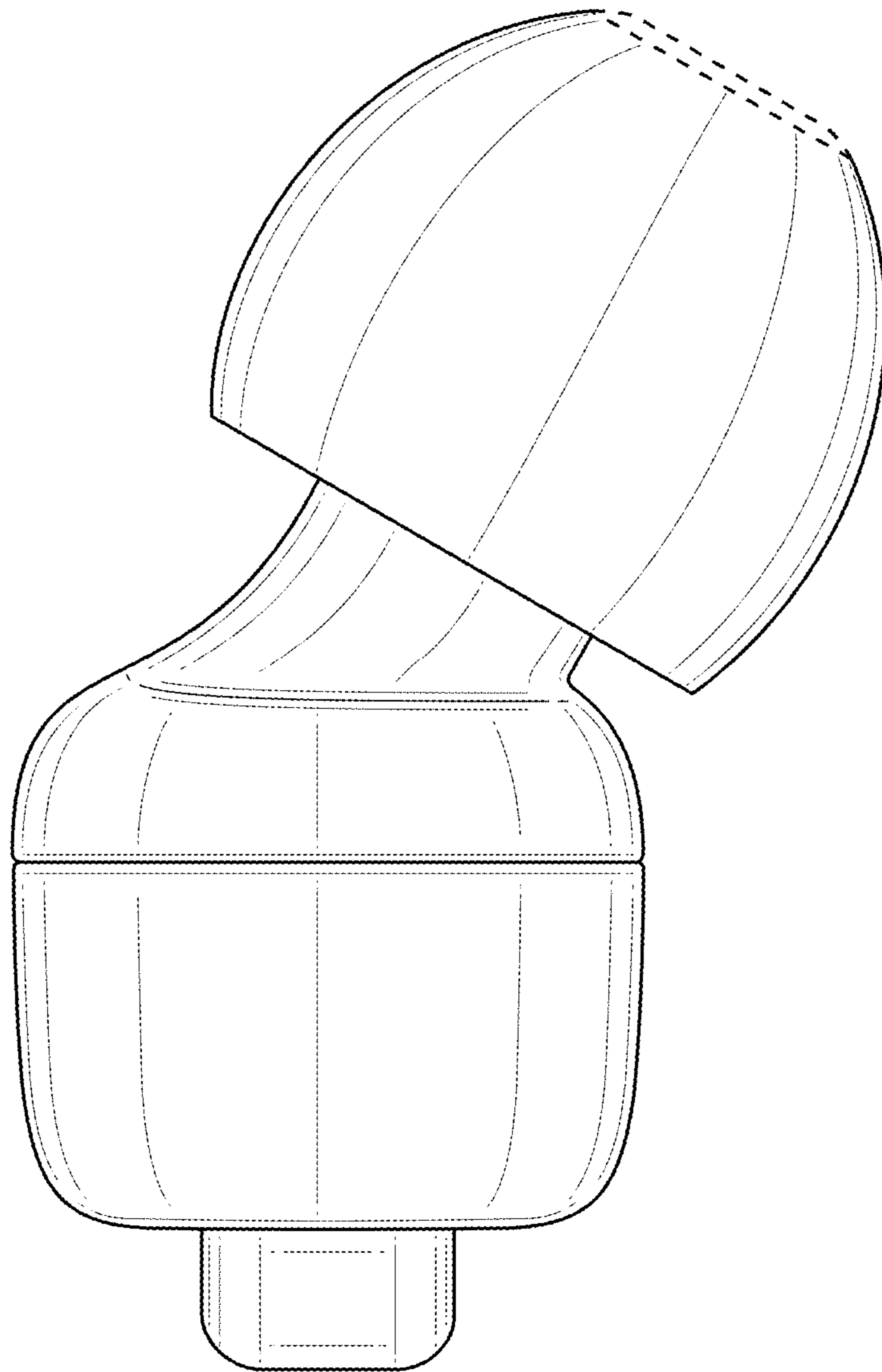


FIG. 13

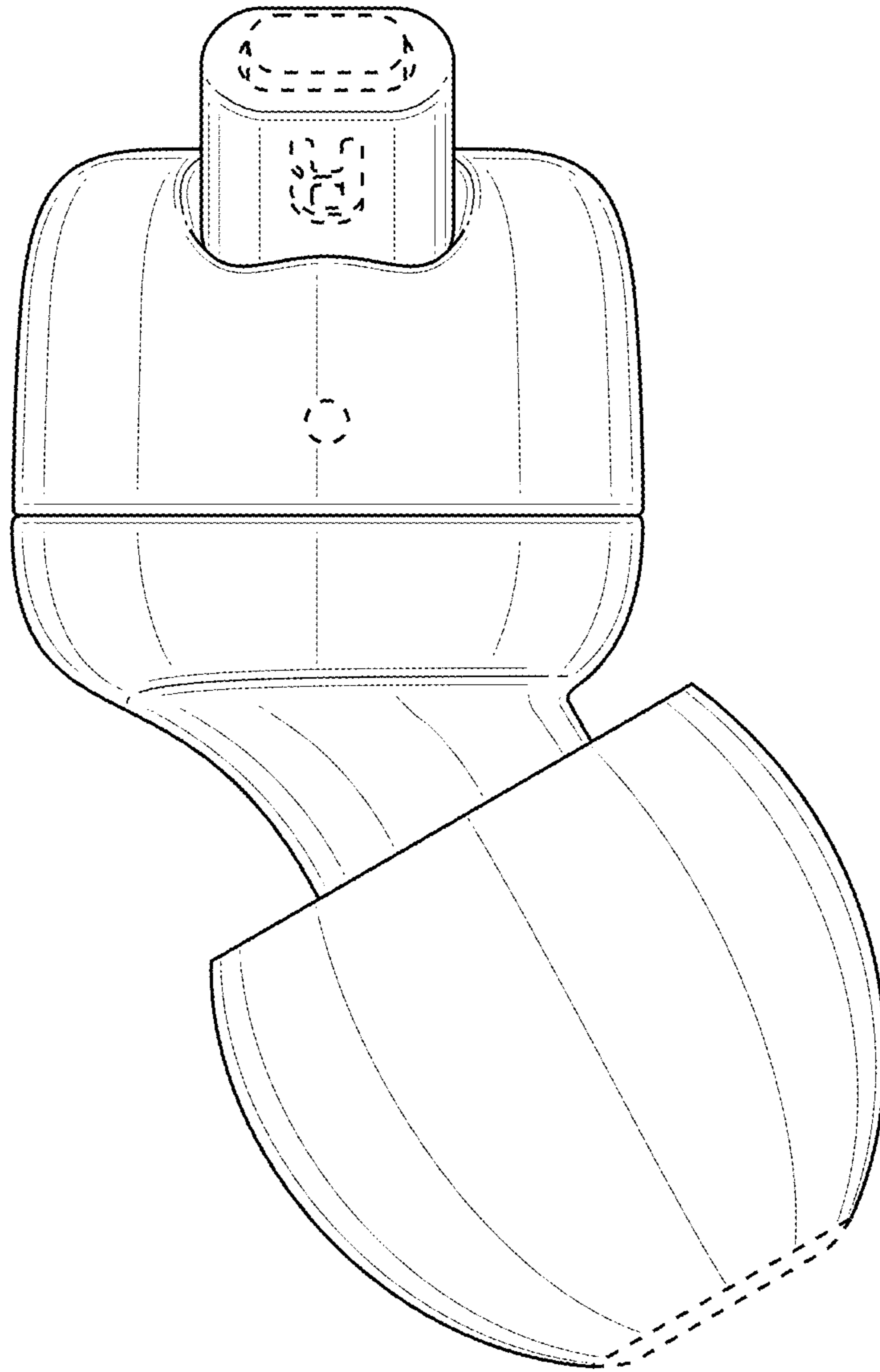


FIG. 14