



US00D824357S

(12) **United States Design Patent**
Ding

(10) **Patent No.:** **US D824,357 S**

(45) **Date of Patent:** **** Jul. 31, 2018**

(54) **RECORD PLAYER**

(71) Applicant: **Shenzhen Wanling Electronic Co., Ltd.**, Shenzhen (CN)

(72) Inventor: **Lili Ding**, Shenzhen (CN)

(73) Assignee: **SHENZHEN WANLING ELECTRONIC CO., LTD.**, Shenzhen (CN)

(**) Term: **15 Years**

(21) Appl. No.: **29/614,866**

(22) Filed: **Aug. 23, 2017**

(51) **LOC (11) Cl.** **14-01**

(52) **U.S. Cl.**
USPC **D14/202**

(58) **Field of Classification Search**
USPC D14/199-203, 261; 369/264-265
CPC B60R 11/02; B60K 37/04; B60K 37/06;
H04B 1/08; H04B 1/082; G11B 23/00;
G11B 19/16; G11B 19/2009; G11B 17/16
See application file for complete search history.

(56) **References Cited**

U.S. PATENT DOCUMENTS

D226,233 S * 1/1973 Okabe D14/202
D226,452 S * 3/1973 Yazawa D14/202
D241,574 S * 9/1976 Mukai et al. D14/202
D247,488 S * 3/1978 Ohtomo D14/202

D249,143 S * 8/1978 Ohtomo D14/203
D265,196 S * 6/1982 Matsumura D14/202
D268,028 S * 2/1983 Ekuan D14/202
D268,264 S * 3/1983 Wilkes D14/203
D278,810 S * 5/1985 Murphy D14/203

* cited by examiner

Primary Examiner — Sandra L Morris

(57) **CLAIM**

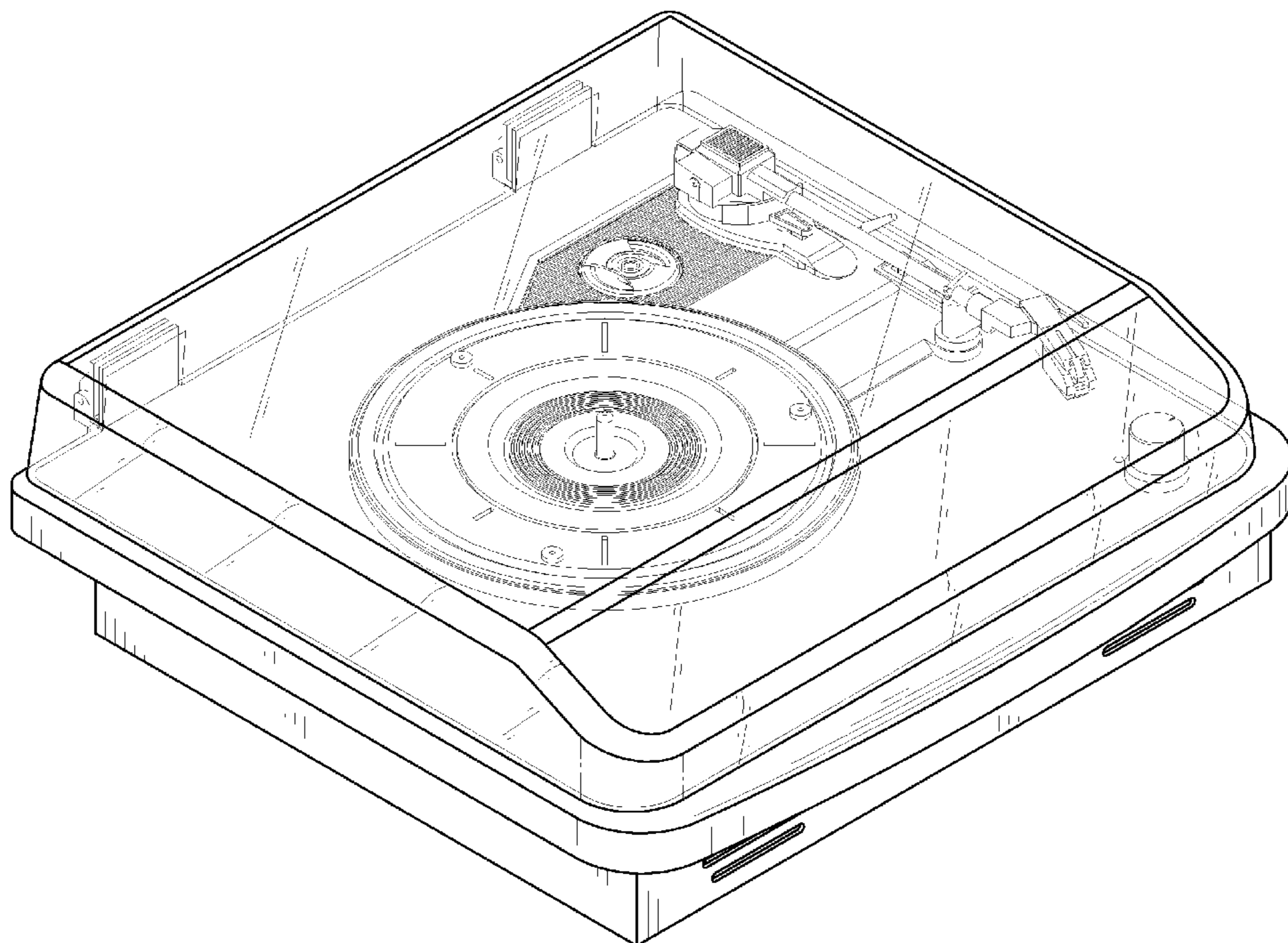
The ornamental design for a record player, as shown and described.

DESCRIPTION

FIG. 1 is a first perspective view of a record player showing my new design;
FIG. 2 is a second perspective view thereof;
FIG. 3 is a front elevational view thereof;
FIG. 4 is a rear elevational view thereof;
FIG. 5 is a left elevational view thereof;
FIG. 6 is a right elevational view thereof;
FIG. 7 is a top plan view thereof;
FIG. 8 is a bottom plan view thereof; and,
FIG. 9 is a perspective view showing the record player in a state of use.

The broken lines in the drawings illustrate portions of the record player which form no part of the claimed design. The broken lines in FIG. 9 illustrate a phonorecord which form no part of the claimed design.

1 Claim, 9 Drawing Sheets



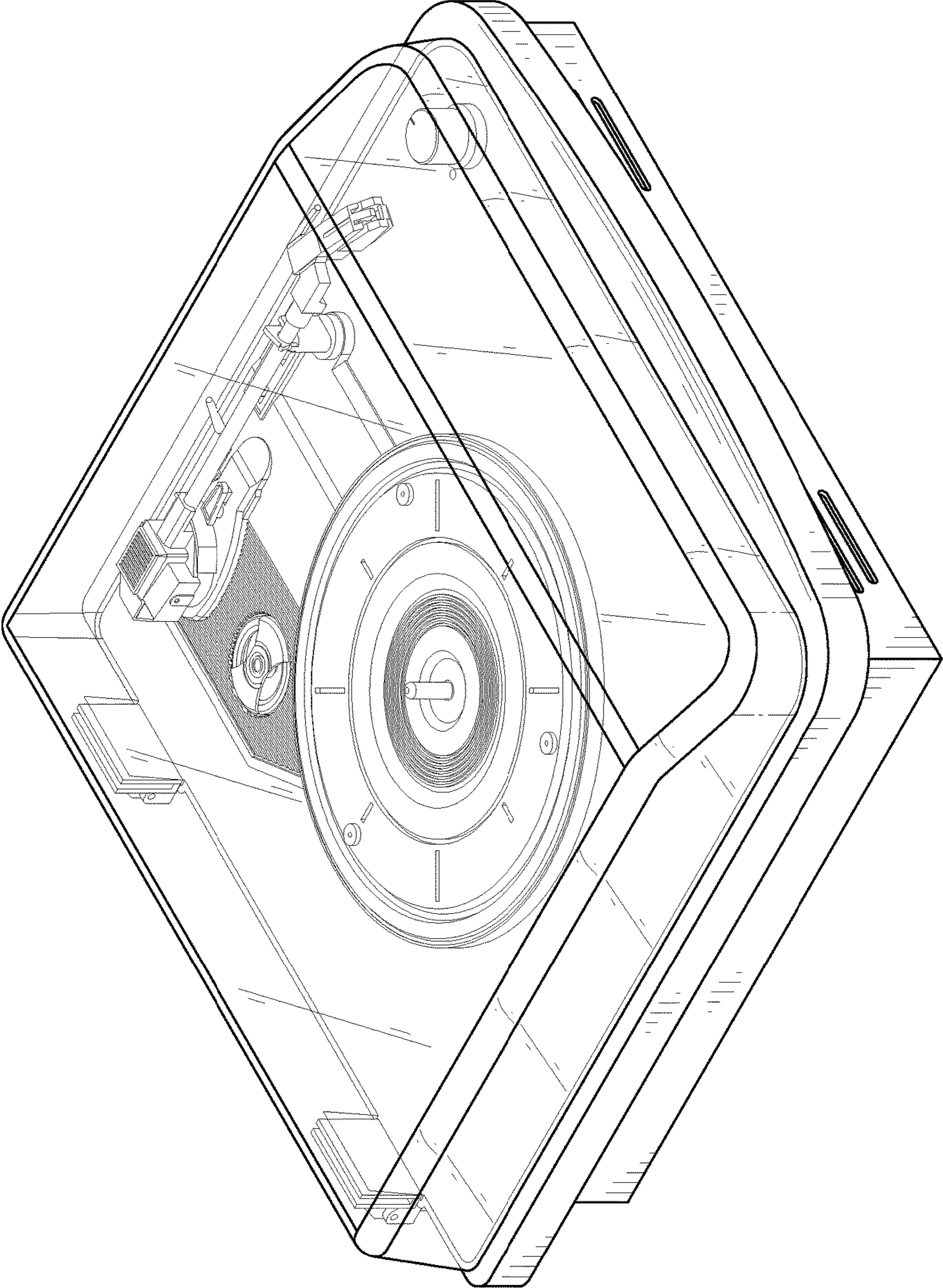


FIG. 1

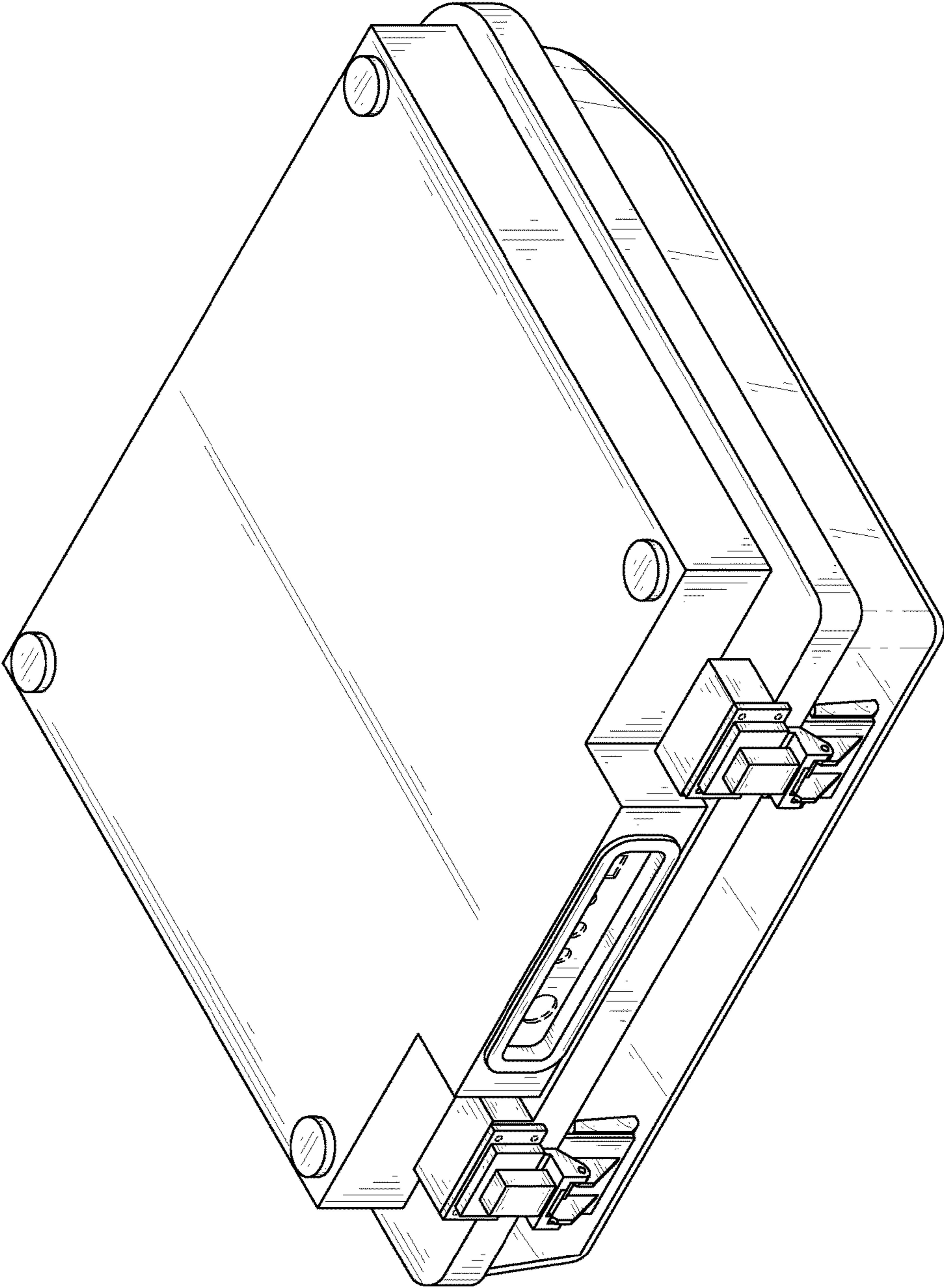


FIG. 2

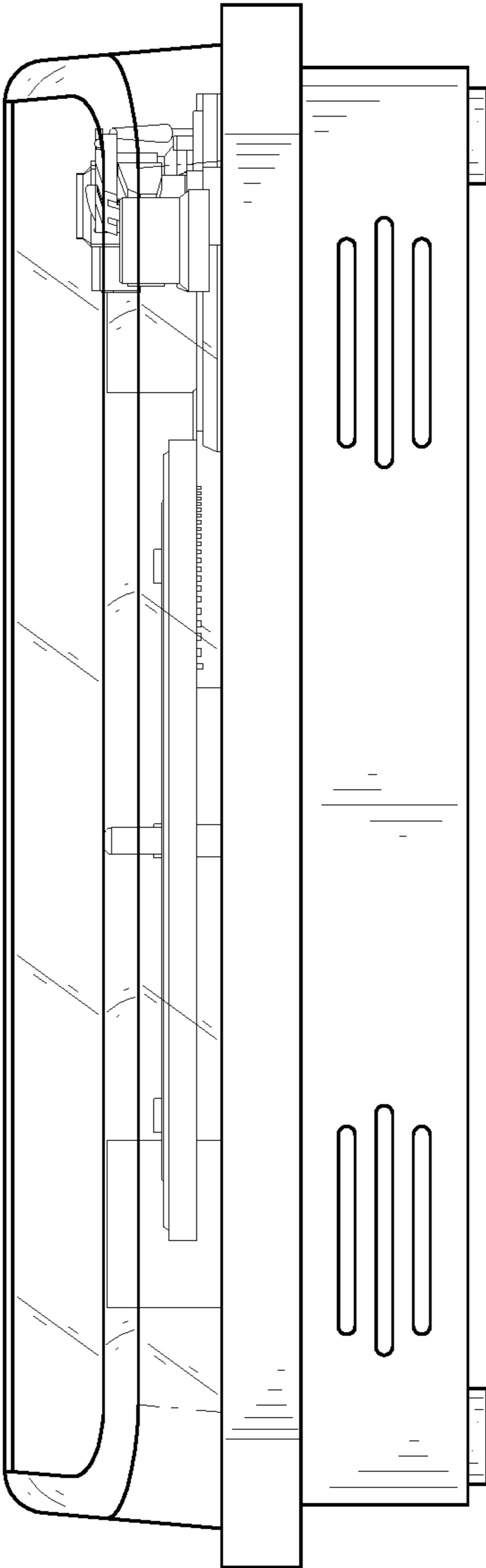


FIG. 3

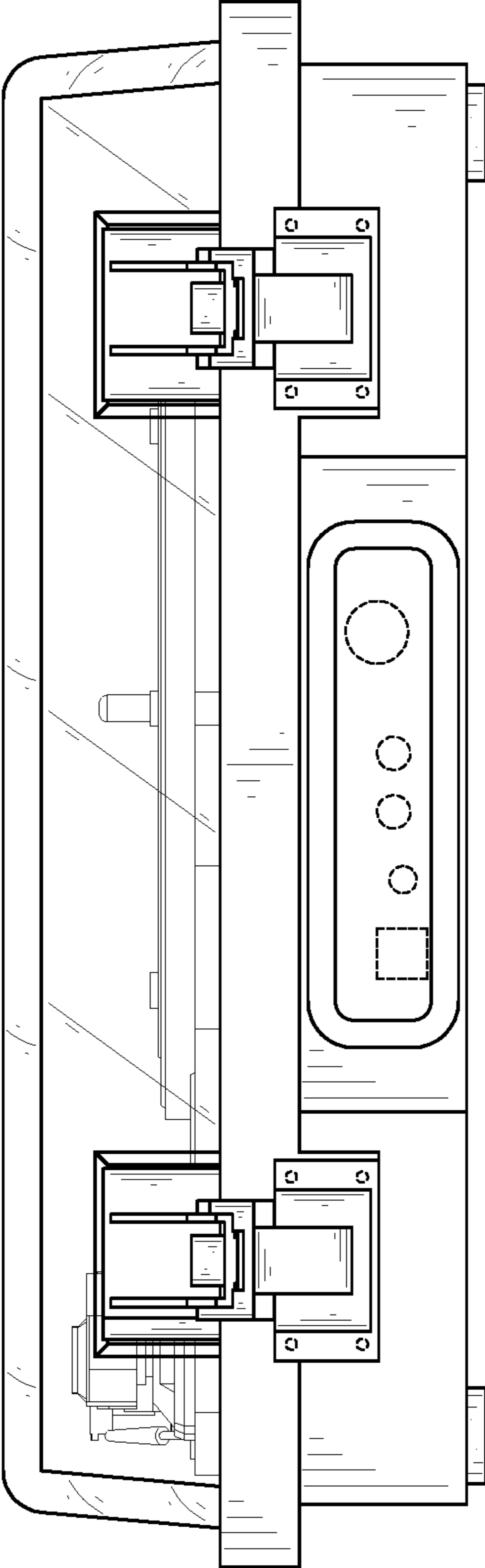


FIG. 4

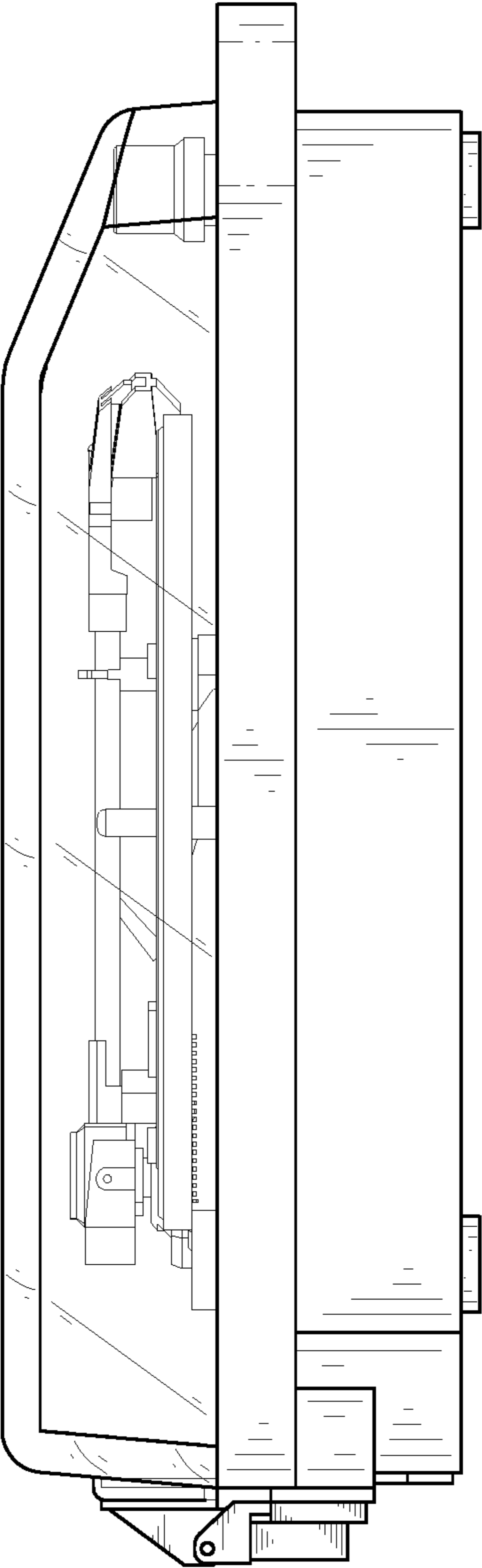


FIG. 5

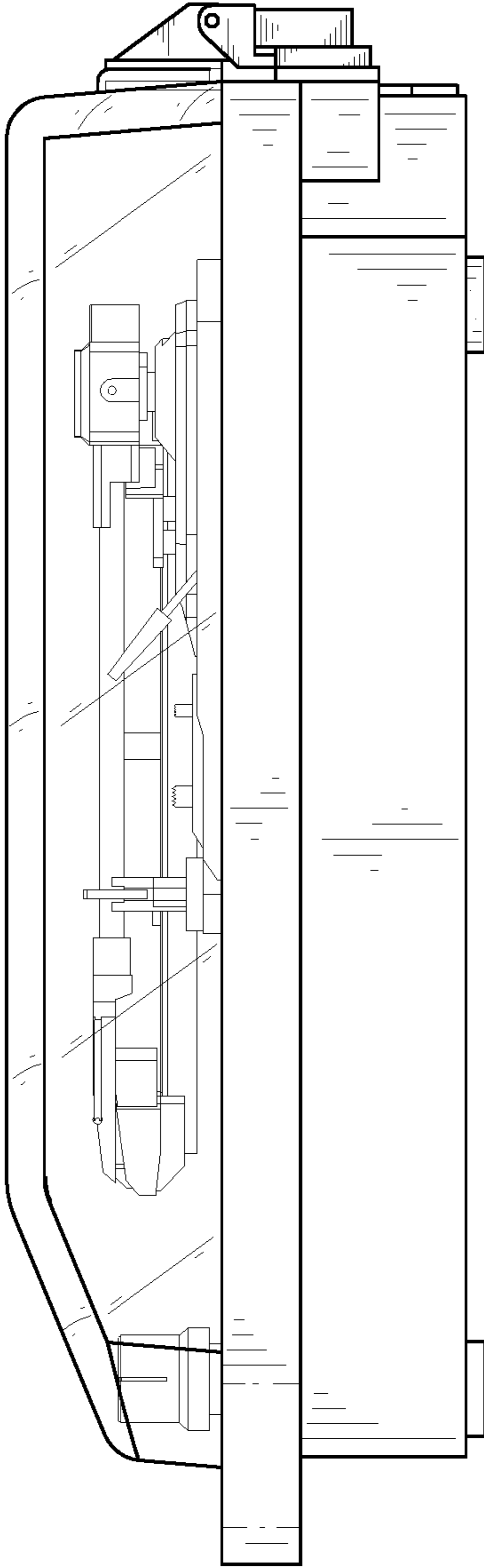


FIG. 6

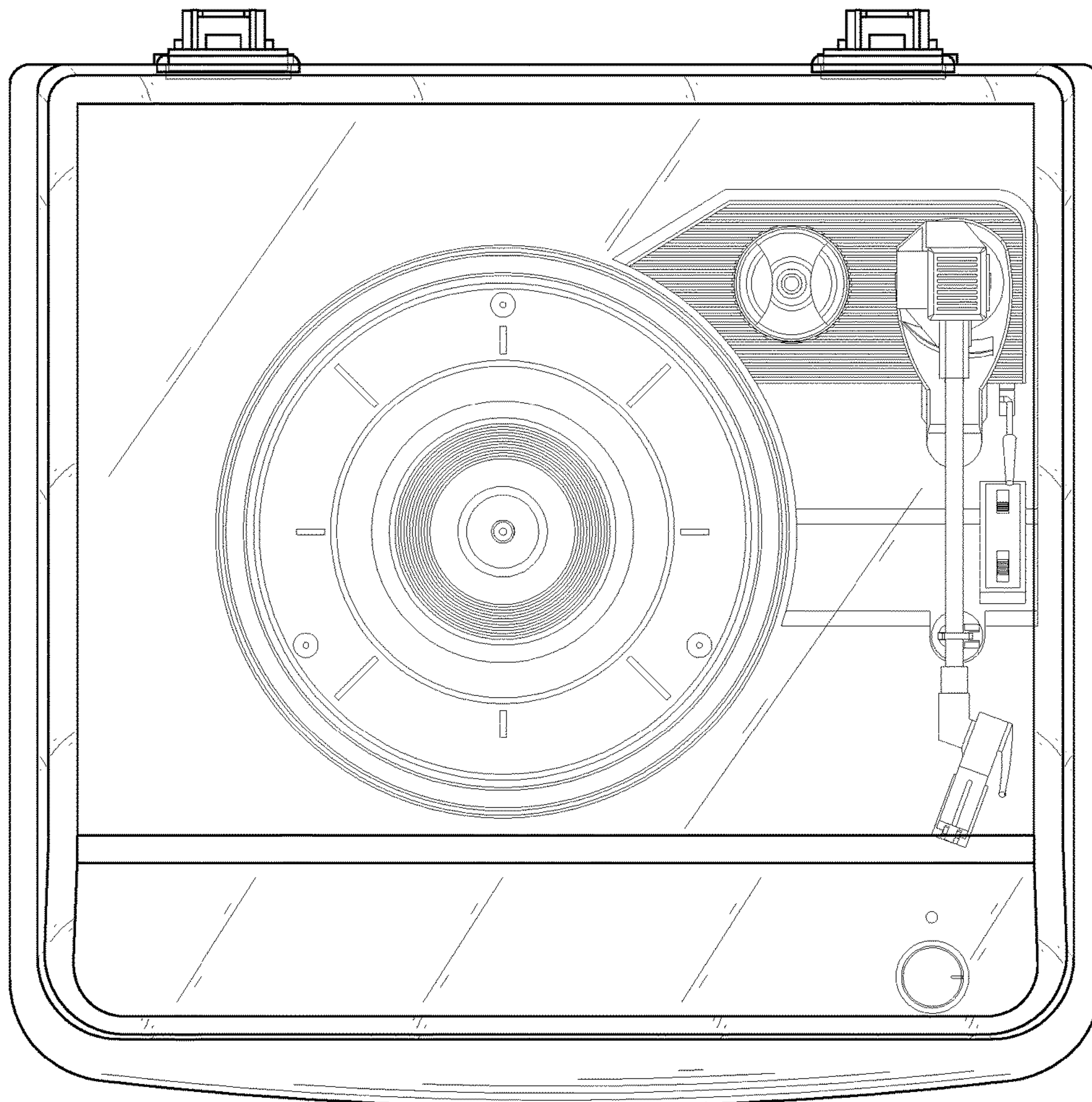


FIG. 7

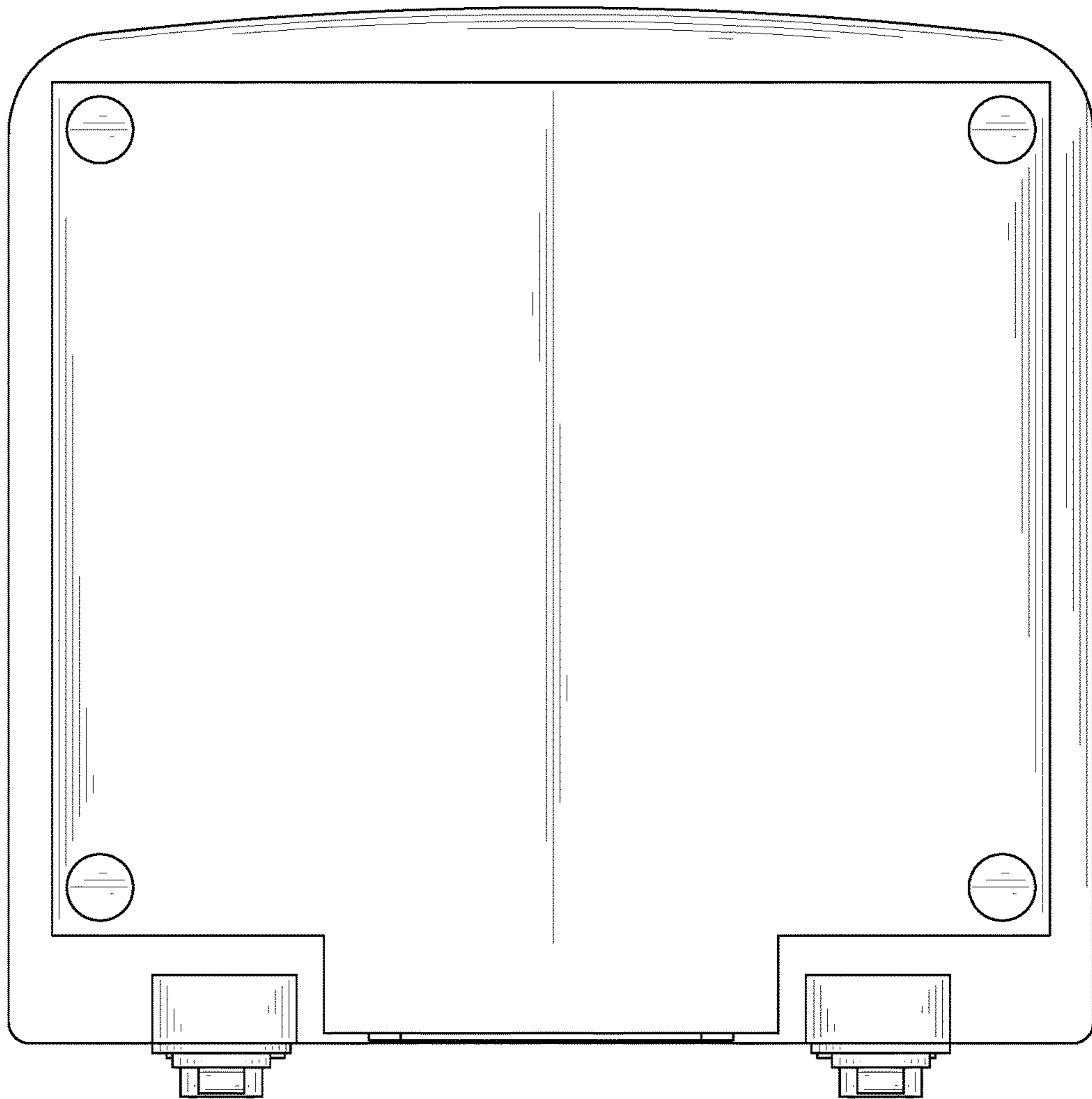


FIG. 8

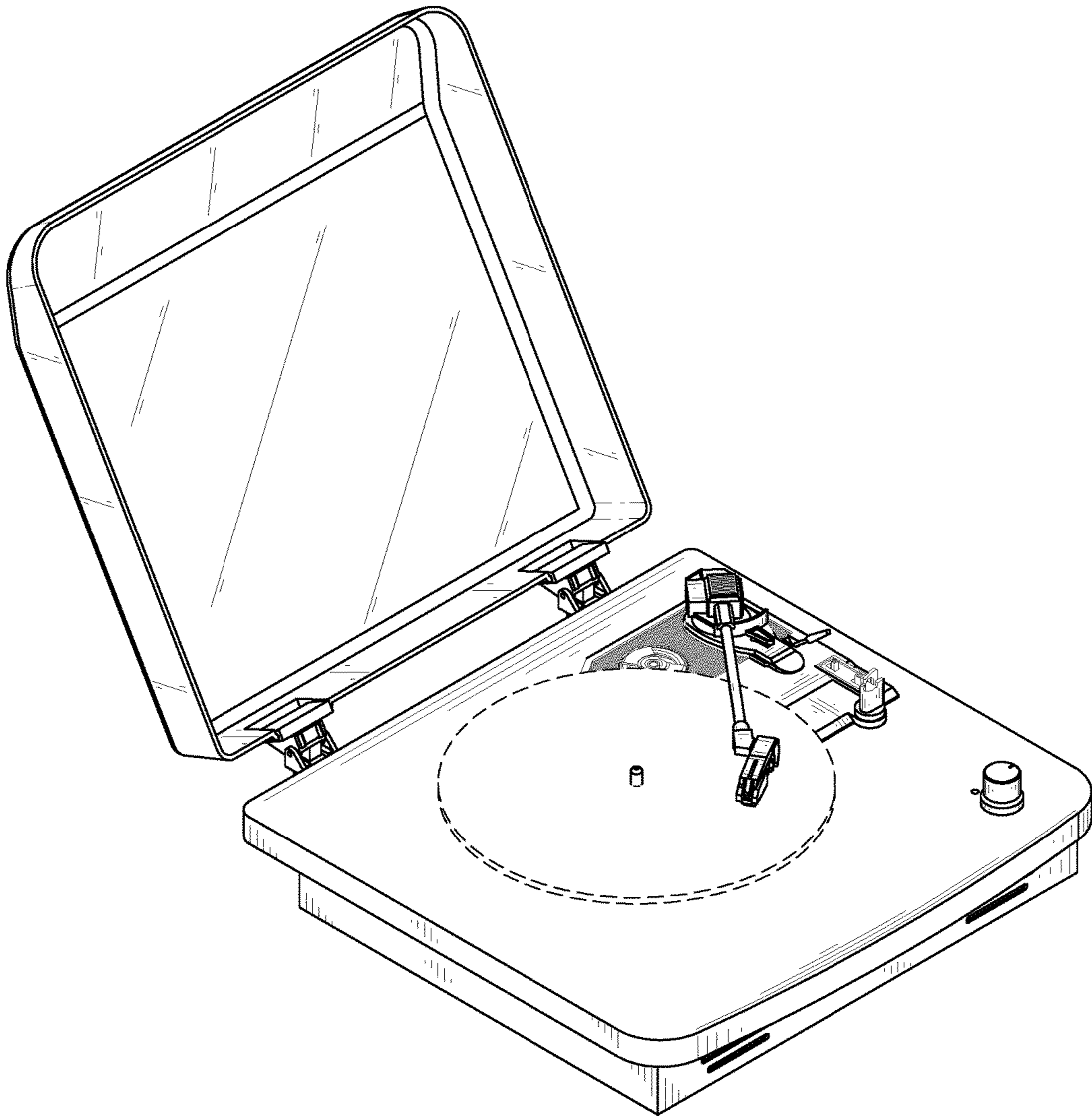


FIG. 9