



US00D824355S

(12) **United States Design Patent**
Kim et al.

(10) **Patent No.:** **US D824,355 S**
(45) **Date of Patent:** **** Jul. 31, 2018**

(54) **TV RECEIVER**

(71) Applicant: **LG ELECTRONICS INC.**, Seoul (KR)

(72) Inventors: **Yooseok Kim**, Seoul (KR); **Sunha Park**, Seoul (KR); **Younsoo Kim**, Seoul (KR); **Byungmu Huh**, Seoul (KR)

(73) Assignee: **LG ELECTRONICS INC.**, Seoul (KR)

(**) Term: **15 Years**

(21) Appl. No.: **35/503,371**

(22) Filed: **Jan. 13, 2017**

(80) **Hague Agreement Data**

Int. Filing Date: **Jan. 13, 2017**
Int. Reg. No.: **DM/094410**
Int. Reg. Date: **Jan. 13, 2017**
Int. Reg. Pub. Date: **Jul. 14, 2017**

(30) **Foreign Application Priority Data**

Jul. 18, 2016 (KR) 30-2016-0034947

(51) **LOC (11) Cl.** **14-03**

(52) **U.S. Cl.**
USPC **D14/126**

(58) **Field of Classification Search**
USPC D14/125-134, 239, 336, 371, 373-377, D14/379-380, 382, 447, 448, 450, 451, D14/452; D21/329, 332, 515; D10/26
CPC G06F 1/16; G06F 1/1601; G06F 1/1637; H04N 5/64; H05K 5/0017; H05K 5/0204; H05K 5/0217
See application file for complete search history.

(56) **References Cited**

U.S. PATENT DOCUMENTS

D460,056 S * 7/2002 Niitsu D14/126
D535,953 S * 1/2007 Fujii D14/126

D546,565 S * 7/2007 Mischel, Jr. D14/129
D547,279 S * 7/2007 Yokota D14/126
D563,342 S * 3/2008 Takami D14/129
D623,619 S * 9/2010 Roed D14/126
D624,535 S * 9/2010 Tsai D14/336
D661,699 S * 6/2012 Chiu D14/371
D669,074 S * 10/2012 Chiu D14/371
D669,467 S * 10/2012 Bailout D14/336
8,276,862 B2 * 10/2012 Eshita F16M 11/10
248/160
D699,697 S * 2/2014 Moon D14/126
D719,120 S * 12/2014 Park D14/126

(Continued)

OTHER PUBLICATIONS

Cool Minimalist Glass TV Stand, posted at fesdecor, posting date not available. [online] [site visited Apr. 13, 2018]. Available from Internet. <URL: <http://fesdecor.com/cool-tv-stands-designs-ideas-that-inspire-for-unique-home-decoration/cool-minimalist-glass-tv-stand-with-shelf/>>.*

(Continued)

Primary Examiner — George D Kirschbaum
Assistant Examiner — Kathleen Leigh Jones
(74) *Attorney, Agent, or Firm* — Birch, Stewart, Kolasch & Birch, LLP

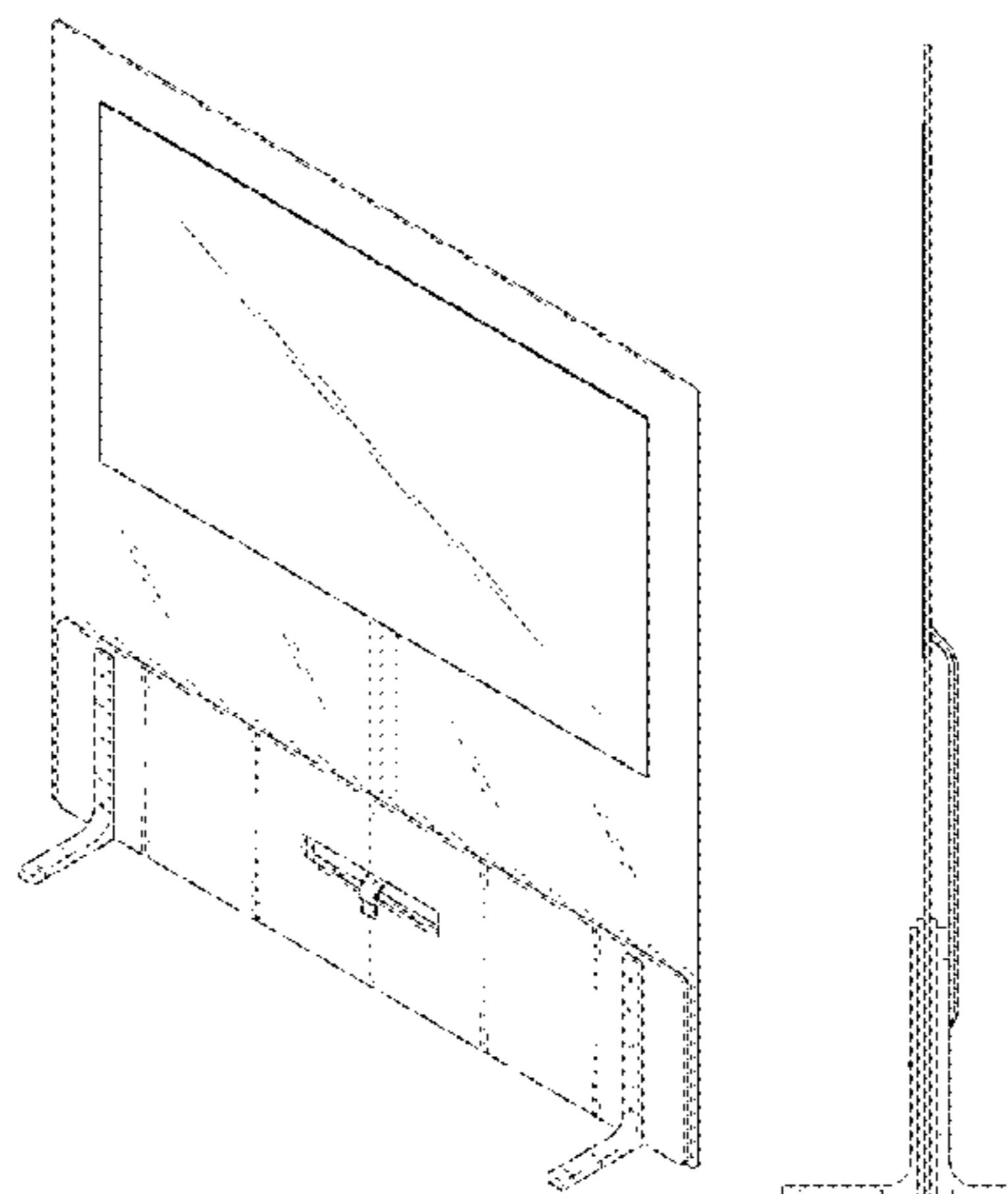
(57) **CLAIM**

The ornamental design for a TV receiver, as shown and described.

DESCRIPTION

- 1. TV receiver
- 1.1 : Perspective
- 1.2 : Front
- 1.3 : Back
- 1.4 : Left
- 1.5 : Right
- 1.6 : Top
- 1.7 : Bottom

1 Claim, 7 Drawing Sheets



(56)

References Cited

U.S. PATENT DOCUMENTS

D724,041 S *	3/2015	Li	D14/126
D729,186 S *	5/2015	Kim	D14/126
D736,168 S *	8/2015	Kim	D14/126
D736,169 S *	8/2015	Kim	D14/126
D754,122 S *	4/2016	Oakley	D14/336
D759,611 S *	6/2016	Kim	D14/126
D761,220 S *	7/2016	Kim	D14/126
D761,221 S *	7/2016	Kim	D14/126
D761,747 S *	7/2016	Kim	D14/126
D807,844 S *	1/2018	Kim	D14/126
D817,295 S *	5/2018	Kim	D14/126

OTHER PUBLICATIONS

Transparent TV, posted at dornob, posting date Aug. 14, 2011. [online] [site visited Apr. 27, 2018]. Available from Internet. <URL: <https://web.archive.org/web/20110814121147/https://dornob.com/>

transparent-tv-sleek-clean-see-through-screen-design/> (Year: 2011).*

Liszewski, Andrew, Schroers & Schroers Uranus & Cosmos Glass LCD Or Plasma Stands, posted at OhGizmo, posting date Jun. 25, 2007. [online] [site visited May 11, 2018]. Available from Internet. <URL: <http://www.ohgizmo.com/2007/06/25/schroers-schroers-uranus-cosmos-glass-lcd-or-plasma-stands/>> (Year: 2007).*

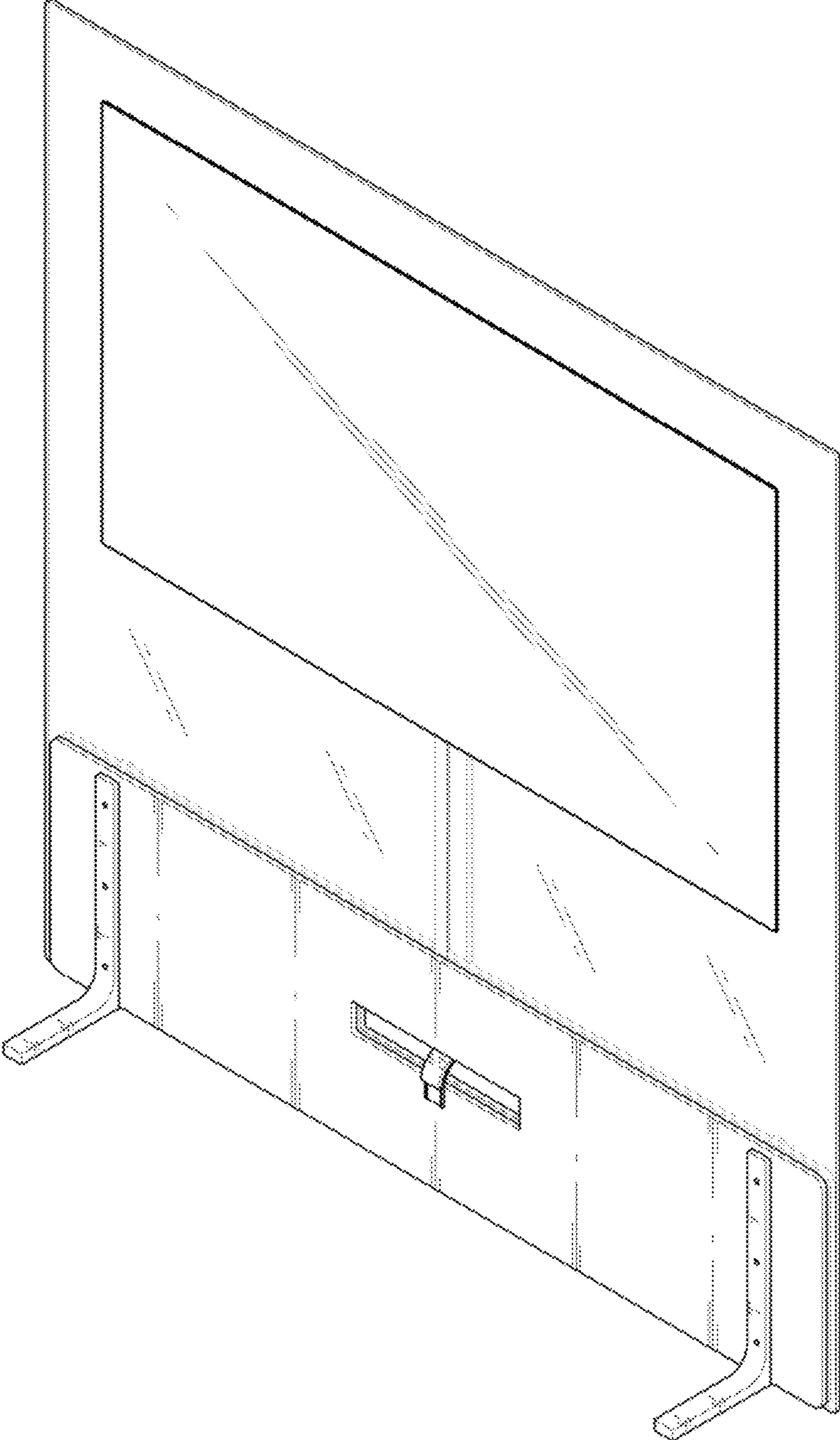
Evangeline H, LG OLED Picture-on-Wall Technologies, posted at LEDinside, posting date Sep. 8, 2017. [online] [site visited May 11, 2018]. Available from Internet. <URL: https://www.ledinside.com/news/2017/9/lg_oled_picture_on_wall_picture_on_glass_technologies_transform_entertainment_experience> (Year: 2017).*

WO-D096584-001, posted at Orbit, publication date Nov. 17, 2017. [online] [site visited May 11, 2018]. Available from Internet. (Year: 2017).*

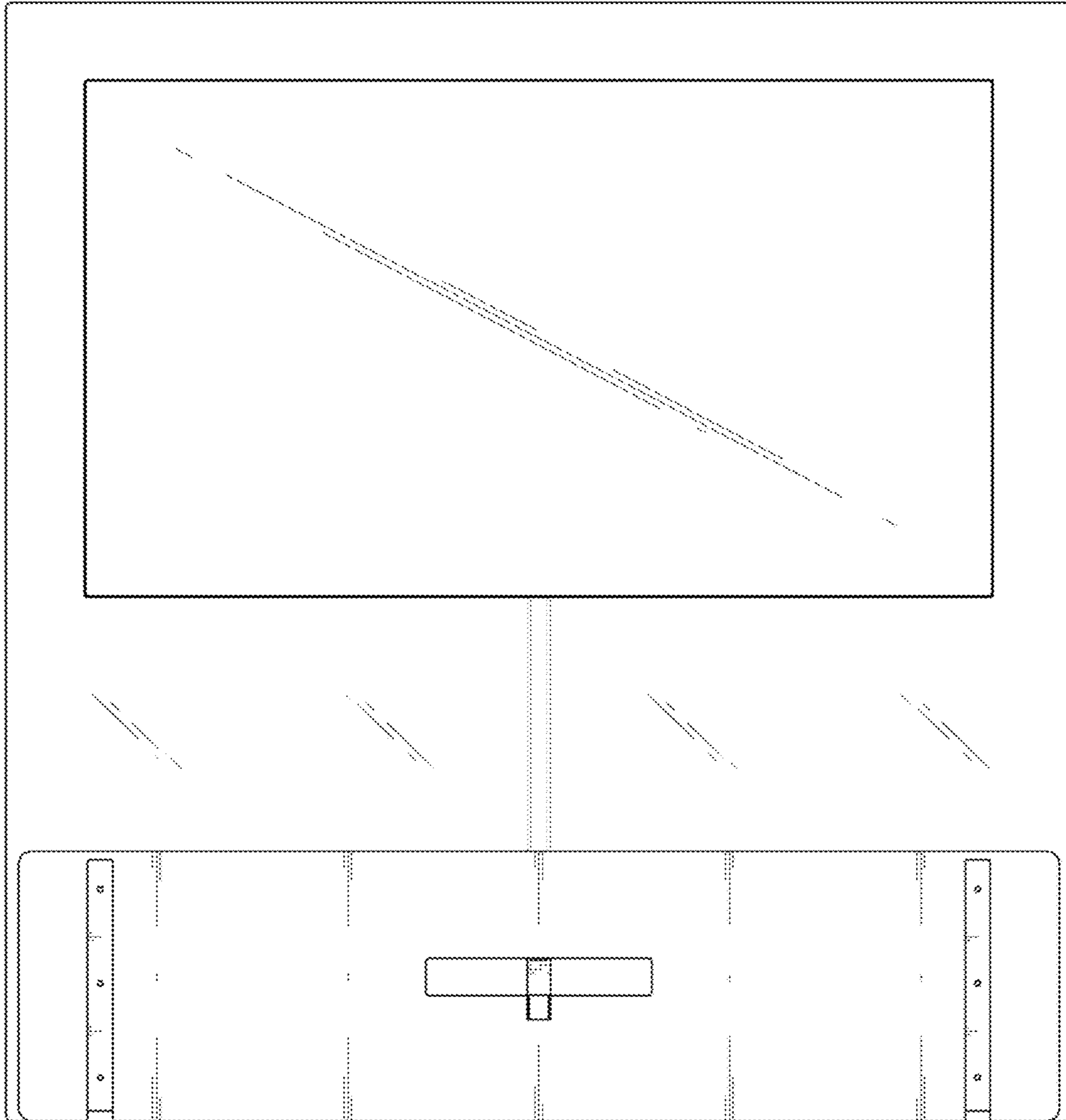
CN-301418844, posted at Orbit, publication date Dec. 22, 2010. [online] [site visited May 11, 2018]. Available from Internet. (Year: 2010).*

* cited by examiner

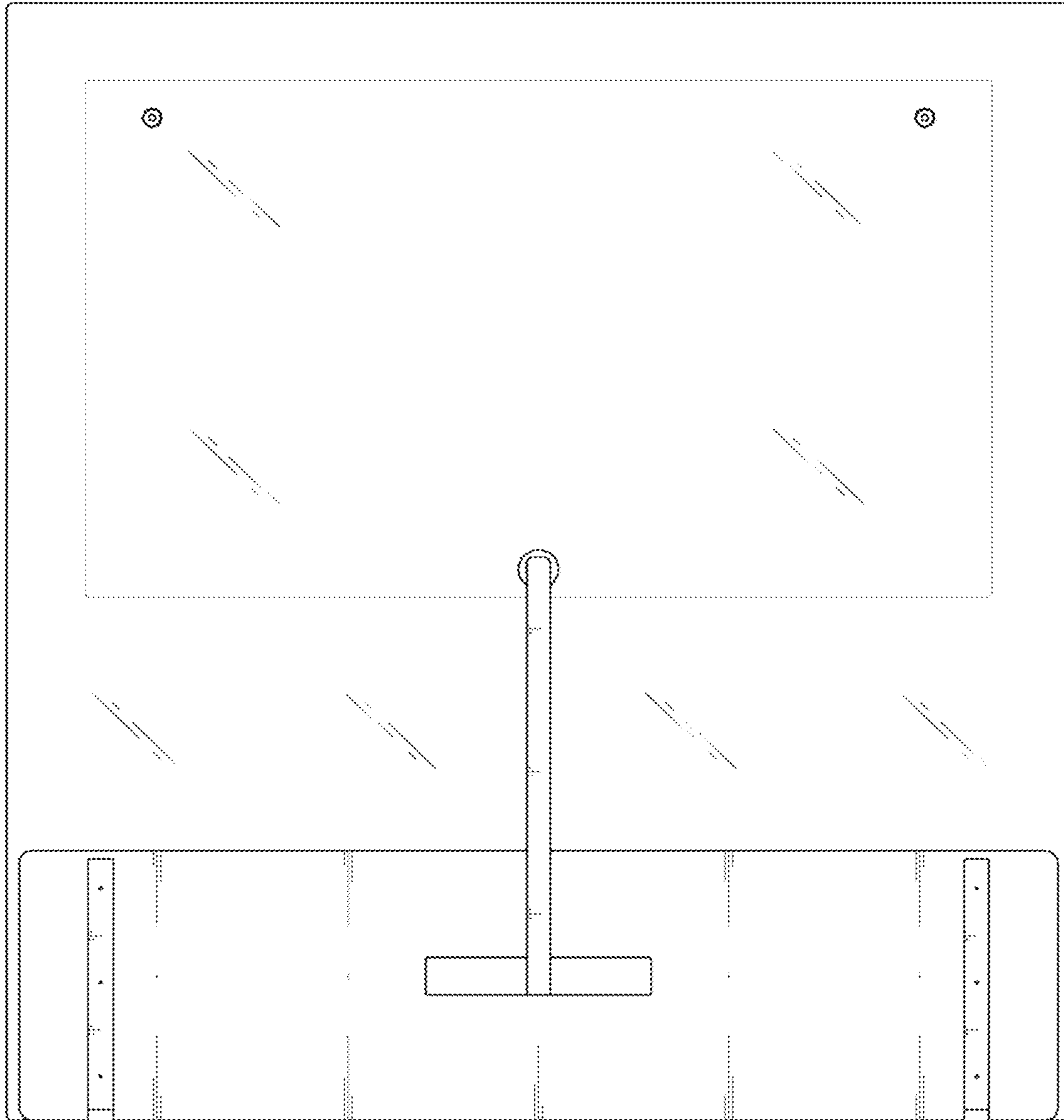
1.1



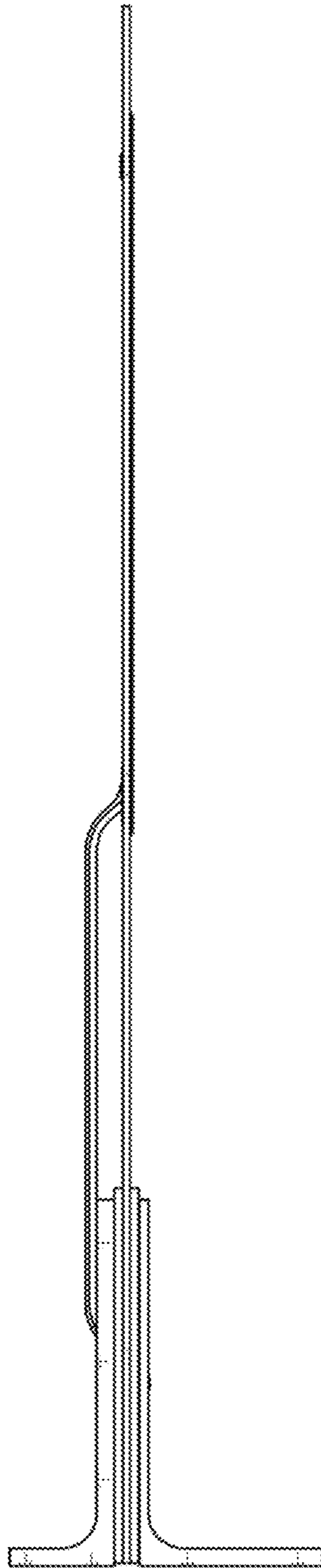
1.2



1.3



1.4



1.5

