



US00D824354S

(12) **United States Design Patent**
Kymm et al.

(10) **Patent No.:** **US D824,354 S**
(45) **Date of Patent:** **** Jul. 31, 2018**

(54) **TV RECEIVER**

(71) Applicant: **LG ELECTRONICS INC.**, Seoul (KR)

(72) Inventors: **Sangwook Kymm**, Seoul (KR); **Misun Park**, Seoul (KR); **Jeonga Shin**, Seoul (KR); **Kyongtae Han**, Seoul (KR); **Seongyeong Park**, Seoul (KR); **Hiroshi Fujita**, Seoul (KR)

(73) Assignee: **LG ELECTRONICS INC.**, Seoul (KR)

(**) Term: **15 Years**

(21) Appl. No.: **35/503,344**

(22) Filed: **Jan. 13, 2017**

(80) **Hague Agreement Data**

Int. Filing Date: **Jan. 13, 2017**

Int. Reg. No.: **DM/095243**

Int. Reg. Date: **Jan. 13, 2017**

Int. Reg. Pub. Date: **Jul. 14, 2017**

(30) **Foreign Application Priority Data**

Jul. 18, 2016 (KR) 30-2016-0034943

(51) **LOC (11) Cl.** **14-03**

(52) **U.S. Cl.**
USPC **D14/126**

(58) **Field of Classification Search**
USPC D14/125-134, 239, 336, 371, 373-377, D14/379-380, 382, 447, 448, 450, 451, D14/452; D21/329, 332, 515; D10/26
CPC G06F 1/16; G06F 1/1601; G06F 1/1637; H04N 5/64; H05K 5/0017; H05K 5/0204; H05K 5/0217
See application file for complete search history.

(56) **References Cited**

U.S. PATENT DOCUMENTS

D545,776 S * 7/2007 Kwon D14/126
D551,228 S * 9/2007 Hwang D14/375

D624,894 S * 10/2010 Kasuga D14/126
D624,895 S * 10/2010 Kasuga D14/126
D669,077 S * 10/2012 McManigal D14/374
D682,797 S * 5/2013 Lee D14/126
D725,107 S * 3/2015 Yeon D14/376
D725,108 S * 3/2015 Yeon D14/376

(Continued)

OTHER PUBLICATIONS

Rotating Television Stand, posted at Best Home Design Ideas, posting date May 26, 2014. [online] [site visited May 10, 2018]. Available from Internet. <URL: <https://bestdesigngue.wordpress.com/2014/05/26/rotating-television-stand/>> (Year: 2014).*

(Continued)

Primary Examiner — George D Kirschbaum

Assistant Examiner — Kathleen Leigh Jones

(74) *Attorney, Agent, or Firm* — Birch, Stewart, Kolasch & Birch, LLP

(57) **CLAIM**

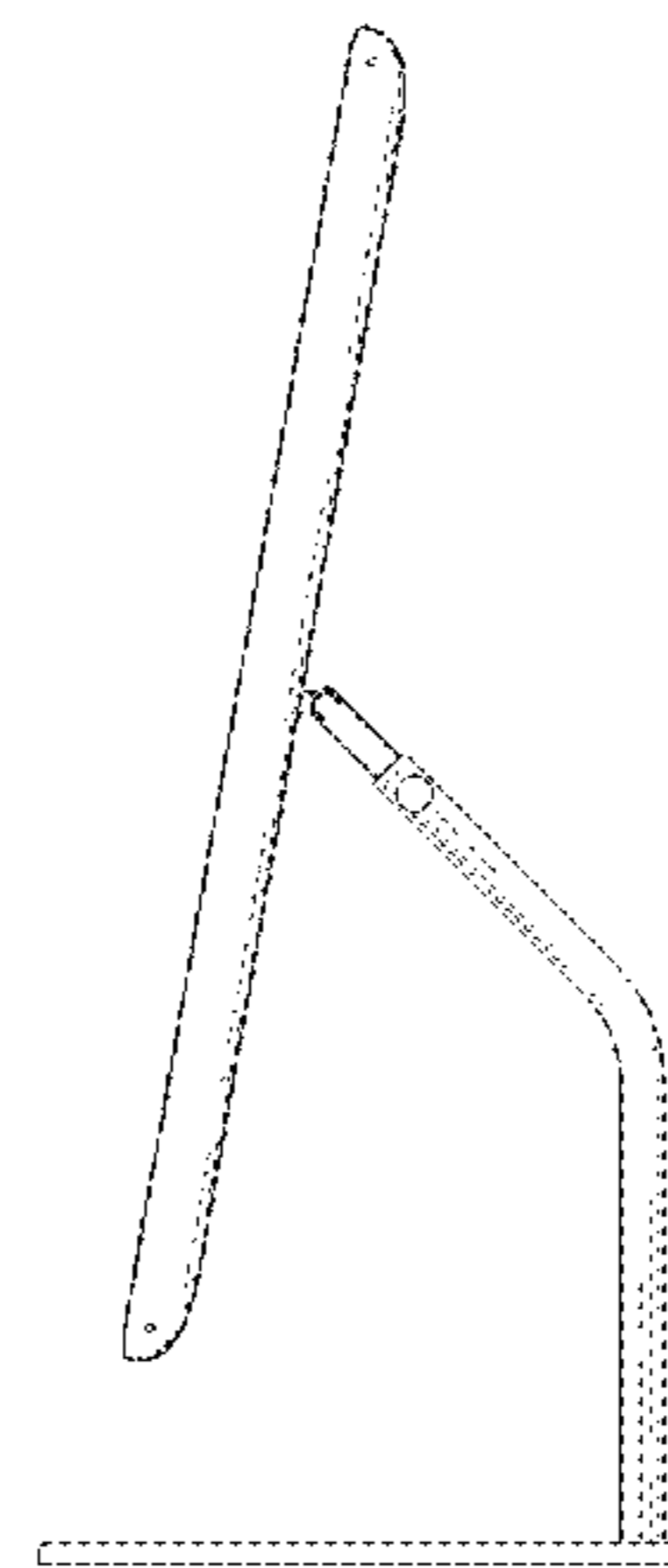
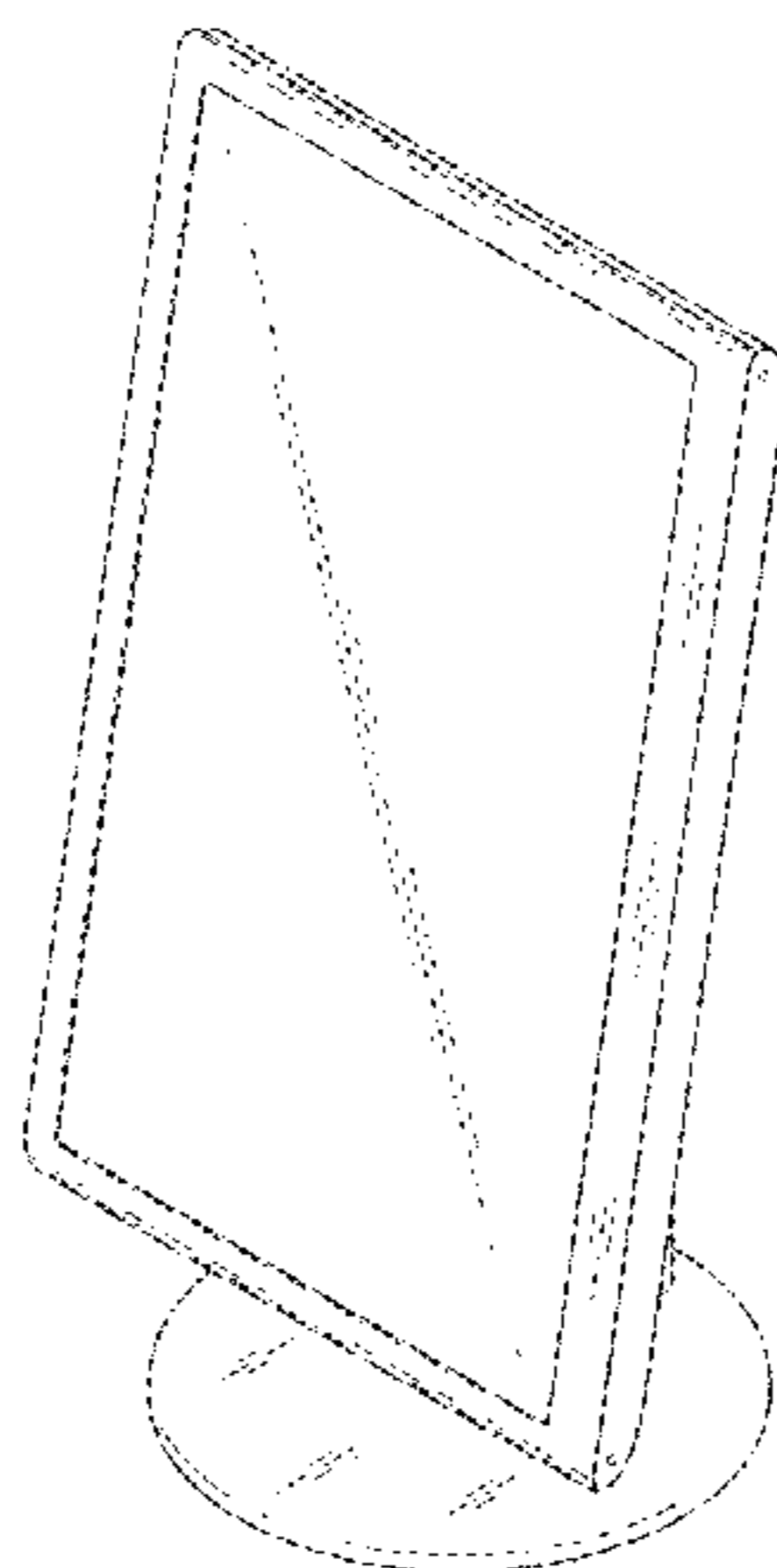
The ornamental design for a TV receiver, as shown and described.

DESCRIPTION

- 1. TV receiver
- 1.1 : Perspective
- 1.2 : Front
- 1.3 : Back
- 1.4 : Left
- 1.5 : Right
- 1.6 : Top
- 1.7 : Bottom
- 1.8 : Reference
- 1.9 : Reference

Reproductions 1.8 and 1.9 are reference views showing the state of rotating or tilting display panel.

1 Claim, 9 Drawing Sheets



(56)

References Cited

U.S. PATENT DOCUMENTS

D727,995	S *	4/2015	Vilcovsky	D16/221
D729,799	S *	5/2015	Jung	D14/374
D739,464	S *	9/2015	Liu	D14/371
D762,213	S *	7/2016	Won	D14/374
D763,259	S *	8/2016	Lee	D14/375
D792,415	S *	7/2017	Tsai	D14/447
D795,266	S *	8/2017	Williams	D14/447
D797,737	S *	9/2017	Won	D14/374
D799,483	S *	10/2017	Won	D14/376
D805,492	S *	12/2017	Ahn	D14/126
D810,816	S *	2/2018	Chen	D18/4.4
2014/0225977	A1 *	8/2014	Vilcovsky	G06Q 30/00 348/14.07

OTHER PUBLICATIONS

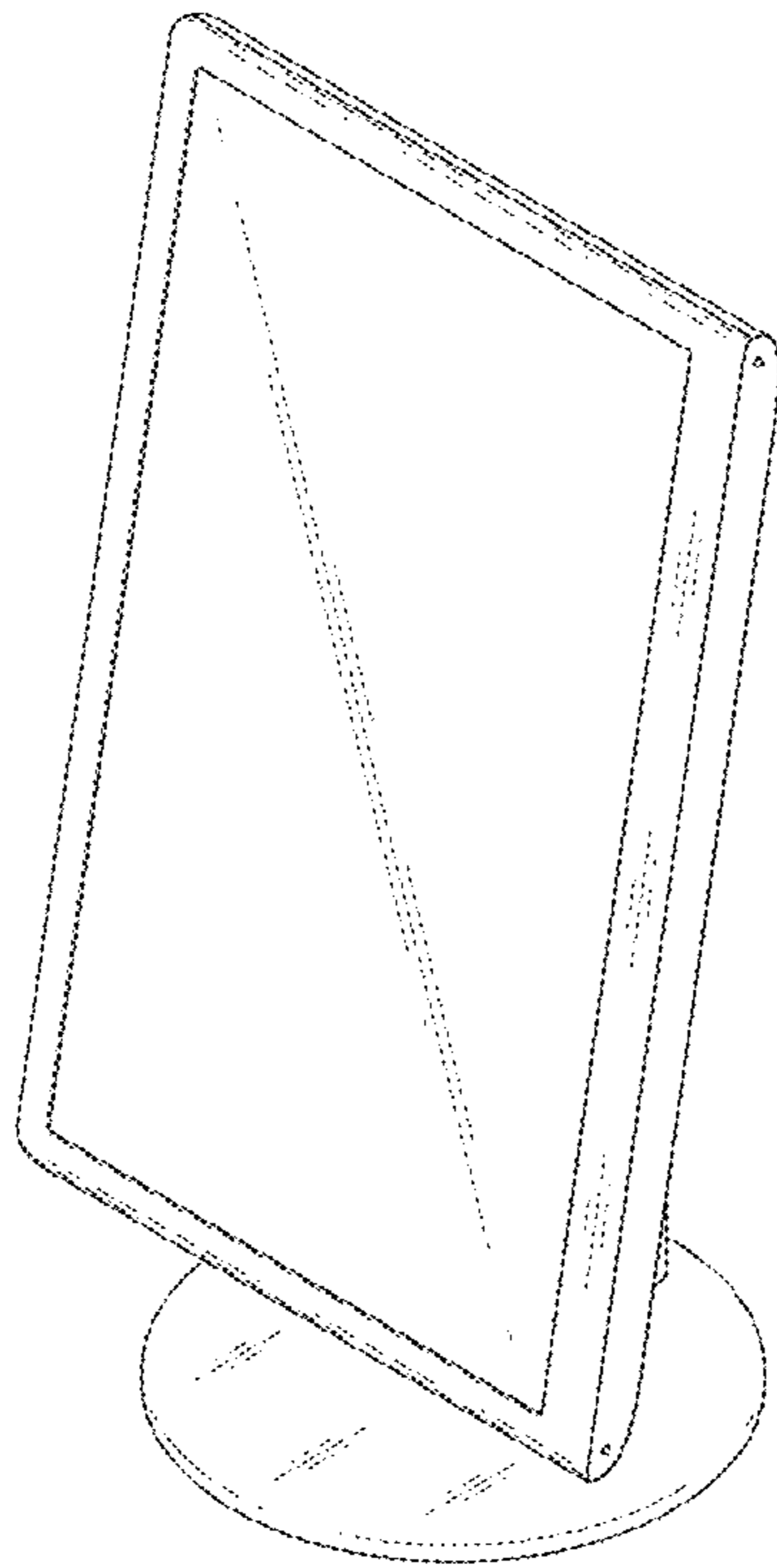
SG Flexible iPad and Tablet Enclosure, posted at shopguard, posting date not available. [online] [site visited May 10, 2018]. Available from Internet. <URL: <http://www.shopsecurity.info/sg-flexible-ipad-and-tablet-enclosure.html>>.*

Shell+ 12 Secure Tablet Enclosure Kiosk, posted at image holders, posting date Apr. 25, 2018. [online] [site visited May 10, 2018]. Available from Internet. <URL: https://www.imageholders.com/017_12_120-with-secure-tablet-enclosure-kiosk/> (Year: 2018).*

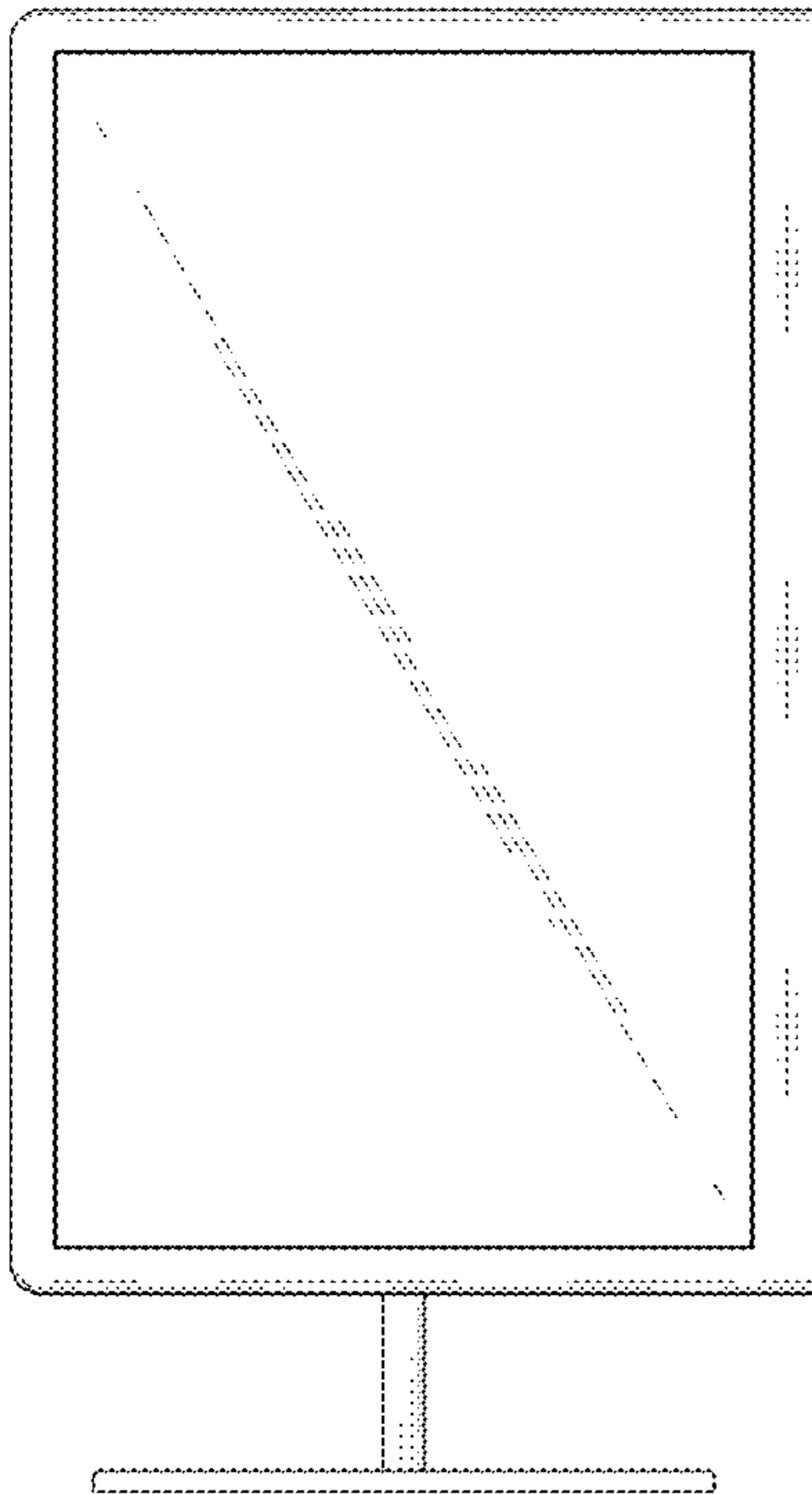
Chan, Vernon, Bang & Olufsen BeoVision Avant 85, posted at Vernon Chan, posting date Nov. 16, 2014. [online] [site visited May 10, 2018]. Available from Internet. <URL: <https://vernonchan.com/bang-olufsen-beovision-avant-85-cinema-living-room/>> (Year: 2014).*

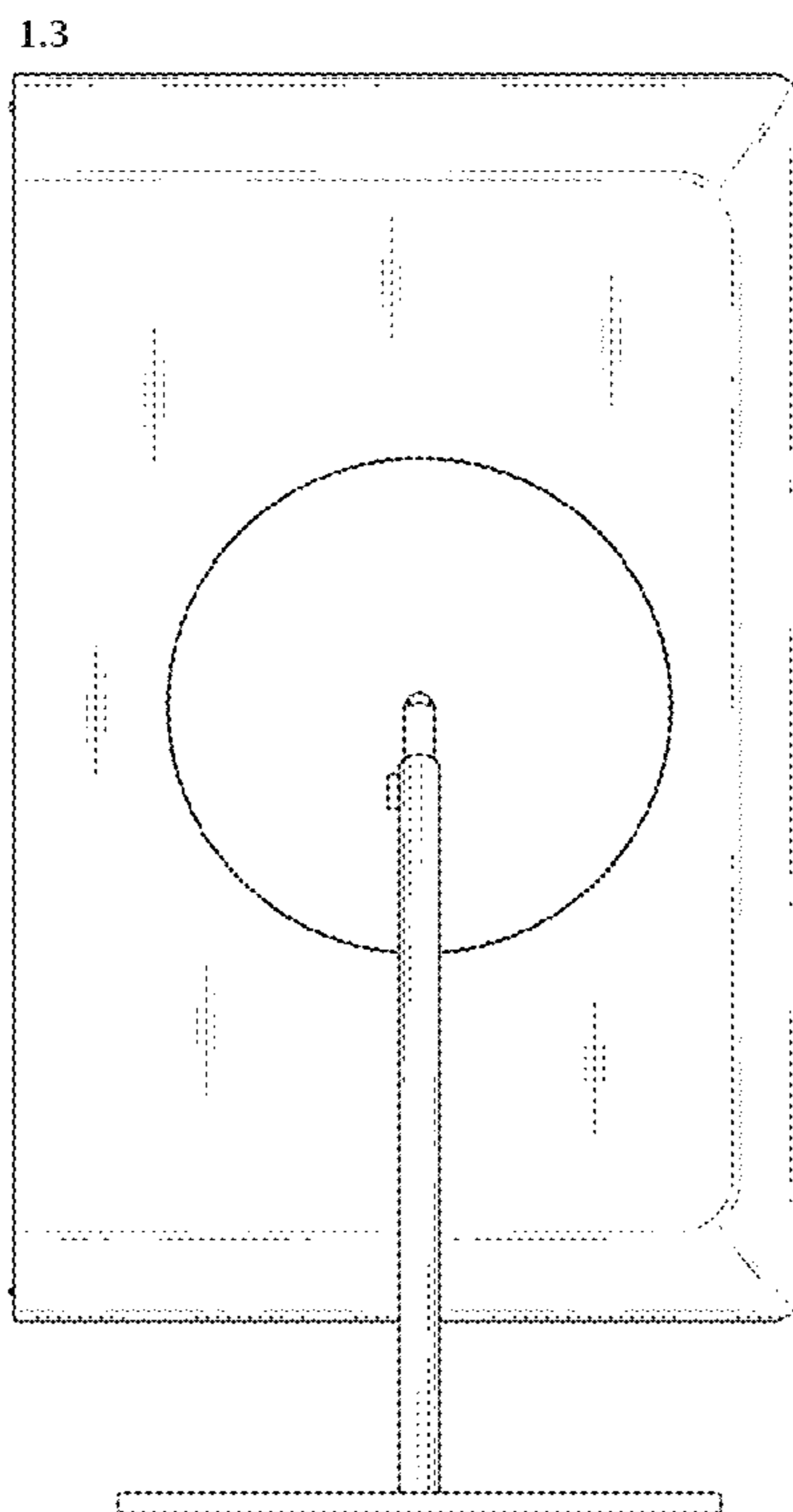
* cited by examiner

1.1

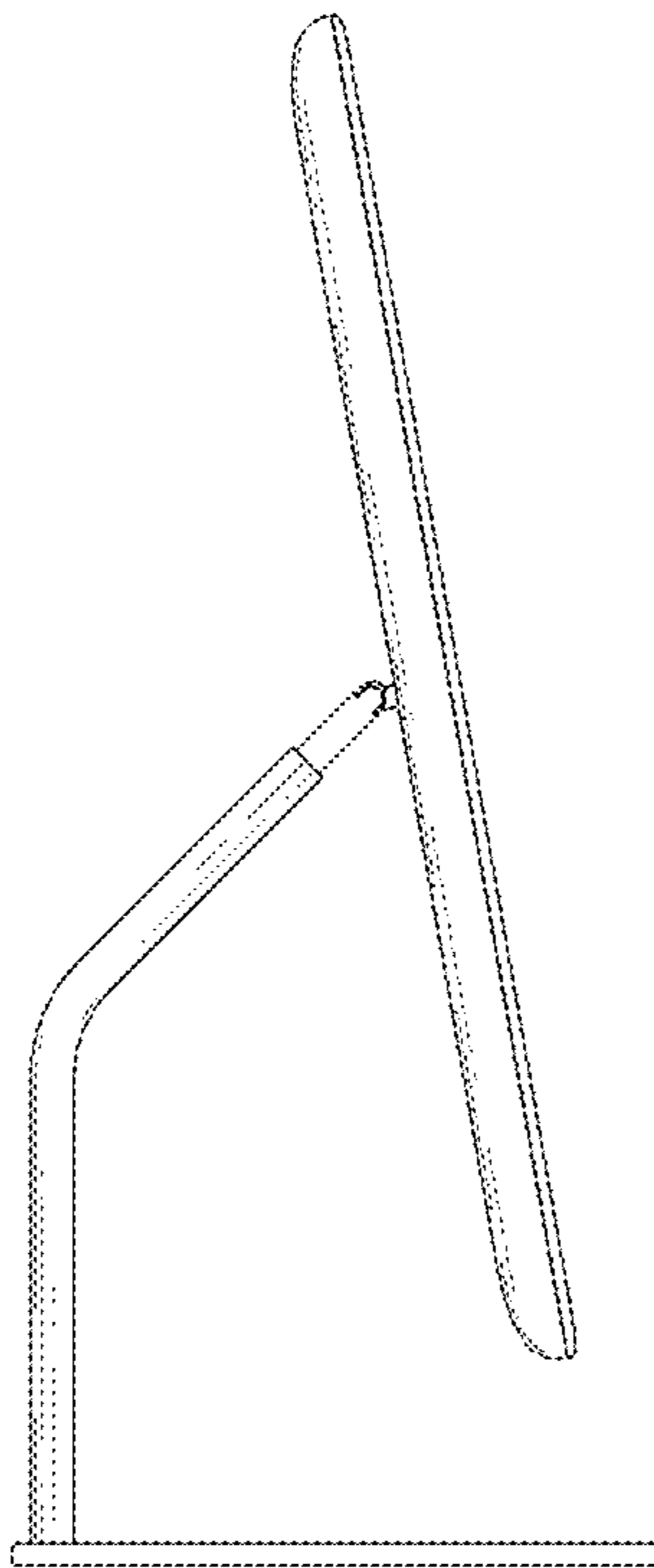


1.2

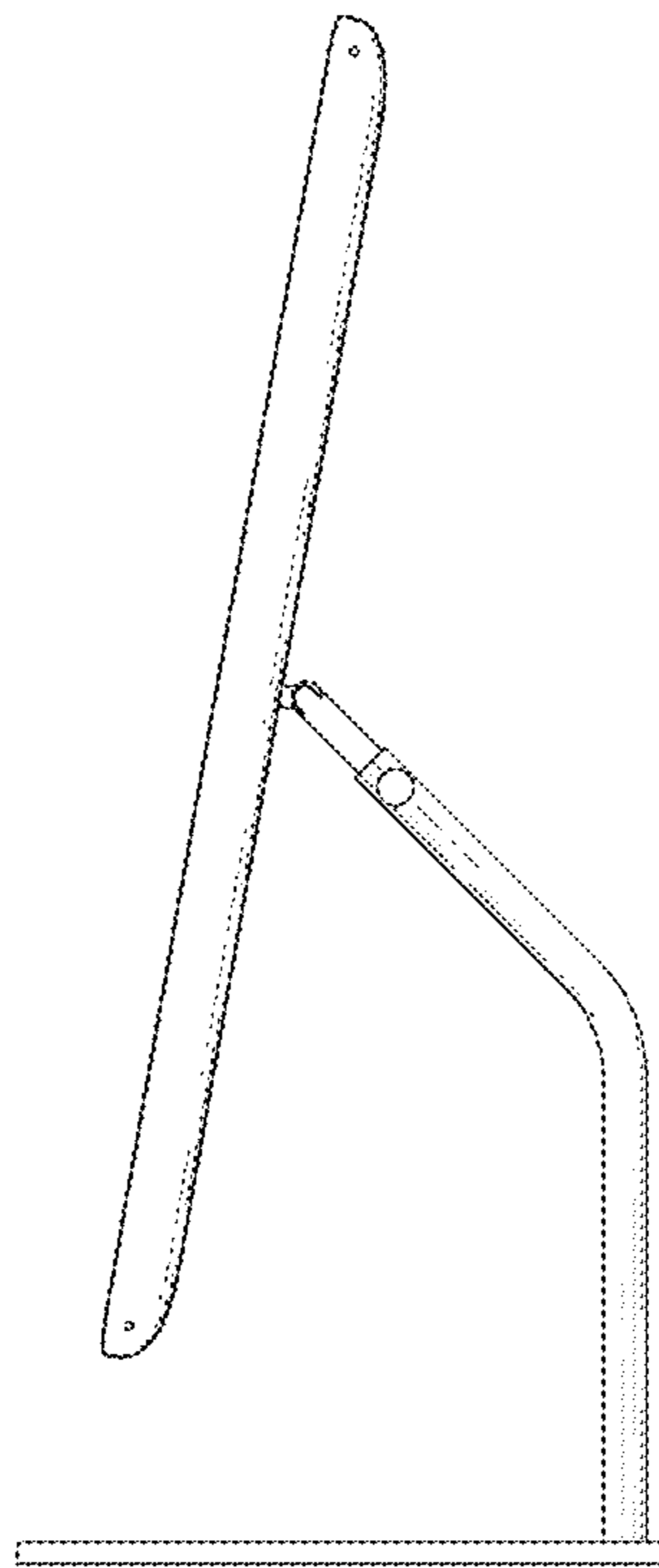




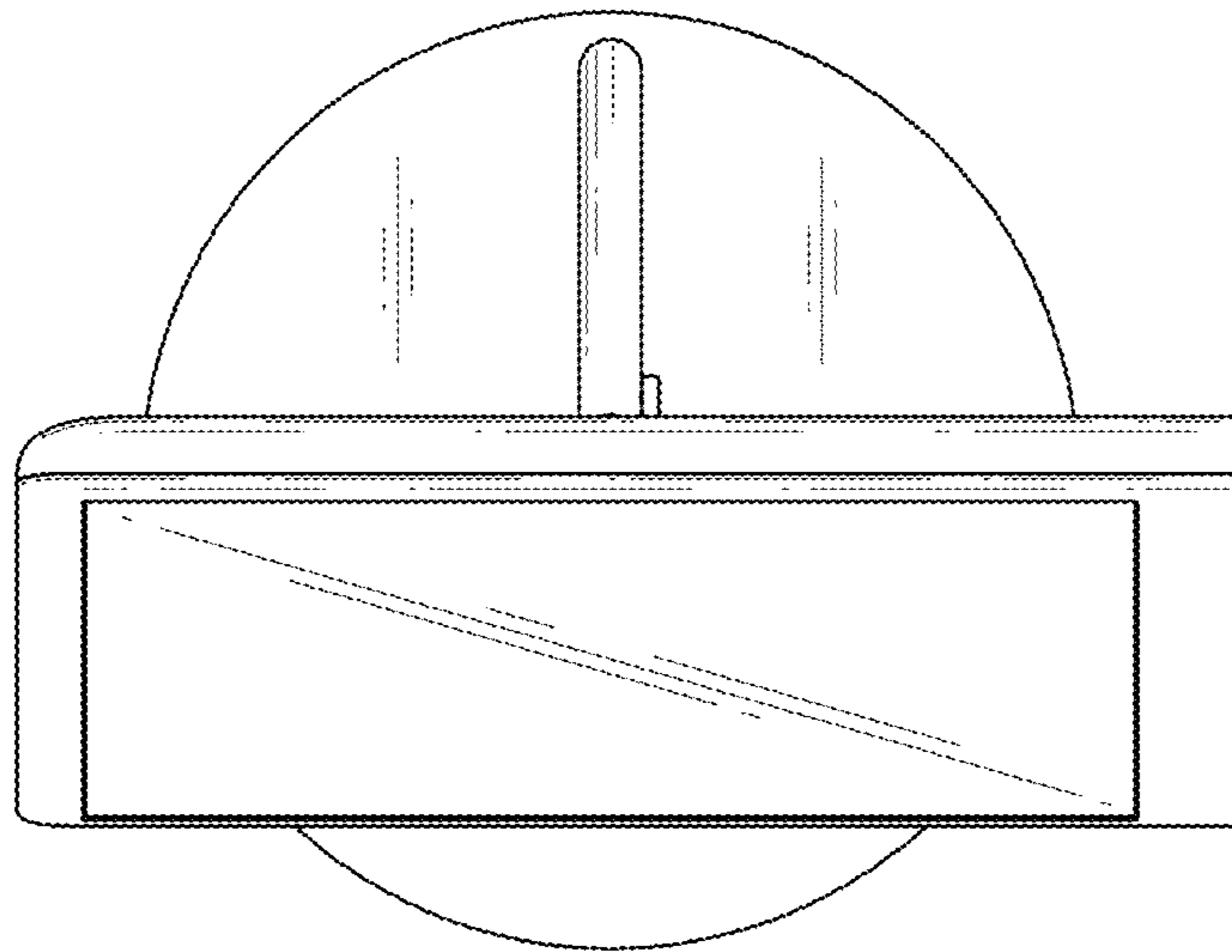
1.4



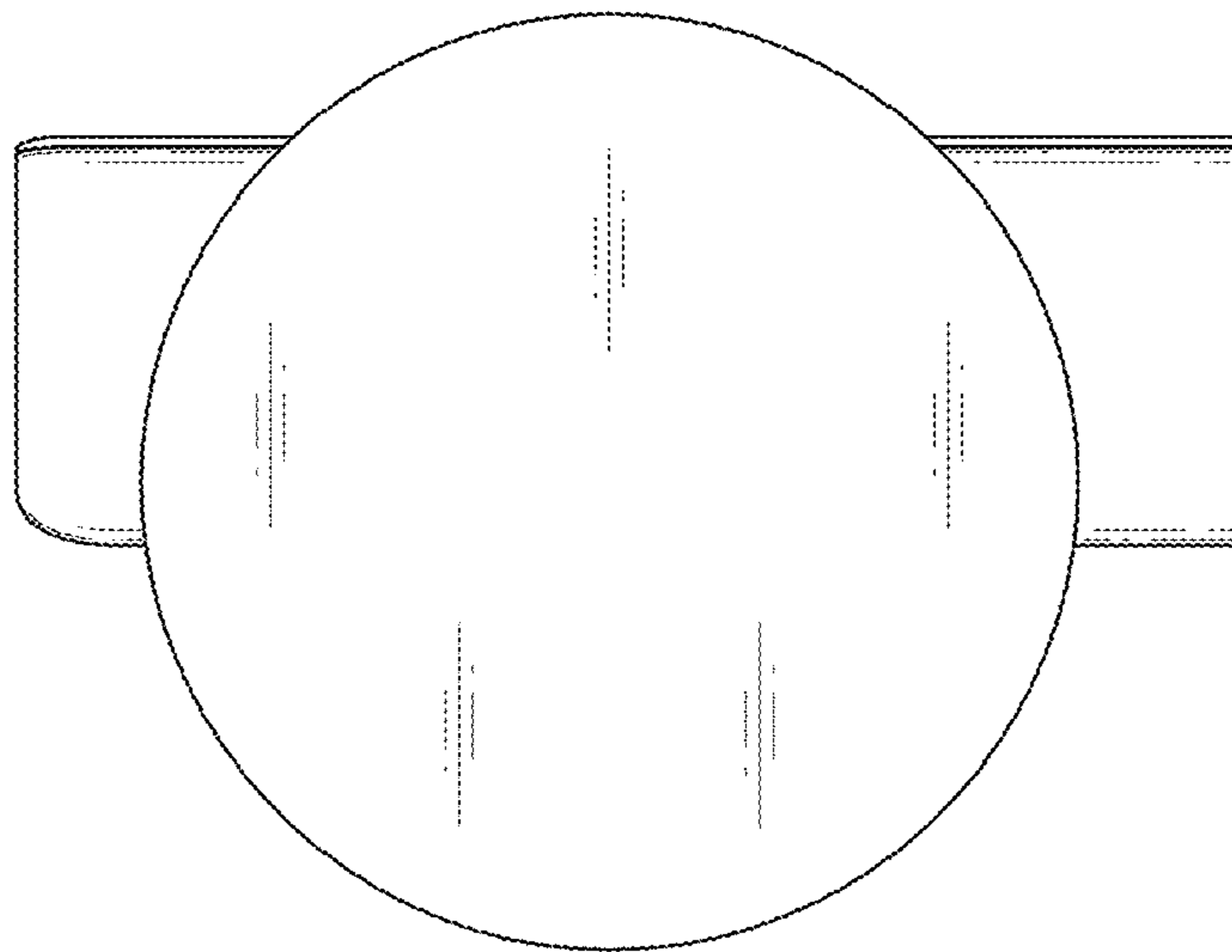
1.5



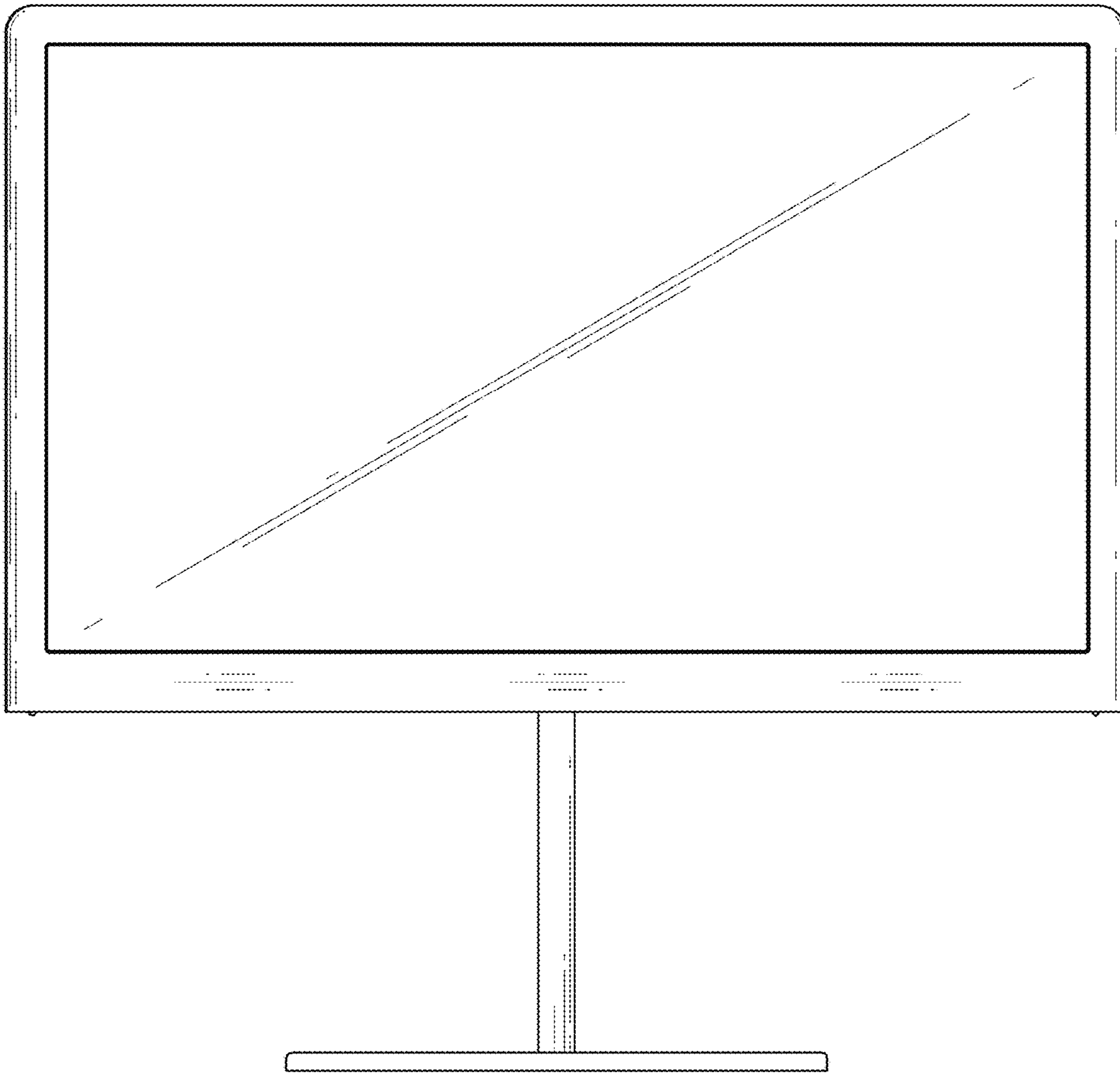
1.6



1.7



1.8



1.9

