



US00D824353S

(12) **United States Design Patent** (10) **Patent No.:** **US D824,353 S**
Won (45) **Date of Patent:** **** Jul. 31, 2018**

(54) **ELECTRONIC BOARD**

D732,496 S * 6/2015 Mellingen D14/126
D741,854 S * 10/2015 Daniel D14/341
D753,077 S * 4/2016 Margis D14/126

(71) Applicant: **Samsung Electronics Co., Ltd.**,
Suwon-si (KR)

FOREIGN PATENT DOCUMENTS

(72) Inventor: **Donghee Won**, Seoul (KR)

CN 300924471 5/2009
CN 302829965 S 5/2014
EM 000733508-0002 7/2007

(73) Assignee: **SAMSUNG ELECTRONICS CO., LTD.**, Suwon-si (KR)

* cited by examiner

(**) Term: **15 Years**

Primary Examiner — Randall H Gholson

(21) Appl. No.: **29/603,890**

(74) *Attorney, Agent, or Firm* — McAndrews Held & Malloy, Ltd.

(22) Filed: **May 12, 2017**

(30) **Foreign Application Priority Data**

(57) **CLAIM**

Nov. 17, 2016 (KR) 30-2016-0055224

The ornamental design for an electronic board, as shown and described.

(51) **LOC (11) Cl.** **14-03**

(52) **U.S. Cl.**
USPC **D14/126**

DESCRIPTION

(58) **Field of Classification Search**

USPC D14/125–134, 239, 371, 136, 374–377,
D14/440, 450, 448, 336, 342, 159;
312/7.2; 348/836, 838, 180, 184, 325,
348/739; 248/917–924, 465; 345/104,
345/133, 156, 168, 87, 173; D21/329,
D21/515, 577, 622, 333, 433, 448, 452,
D21/450, 331, 505; D10/15, 26;
446/484, 175, 356; D6/477, 479, 300;
D24/185; D34/14
CPC ... G06F 1/1601; G06F 1/1643; H05K 5/0004;
H05K 5/0017; H05K 5/02; H05K 5/0217
See application file for complete search history.

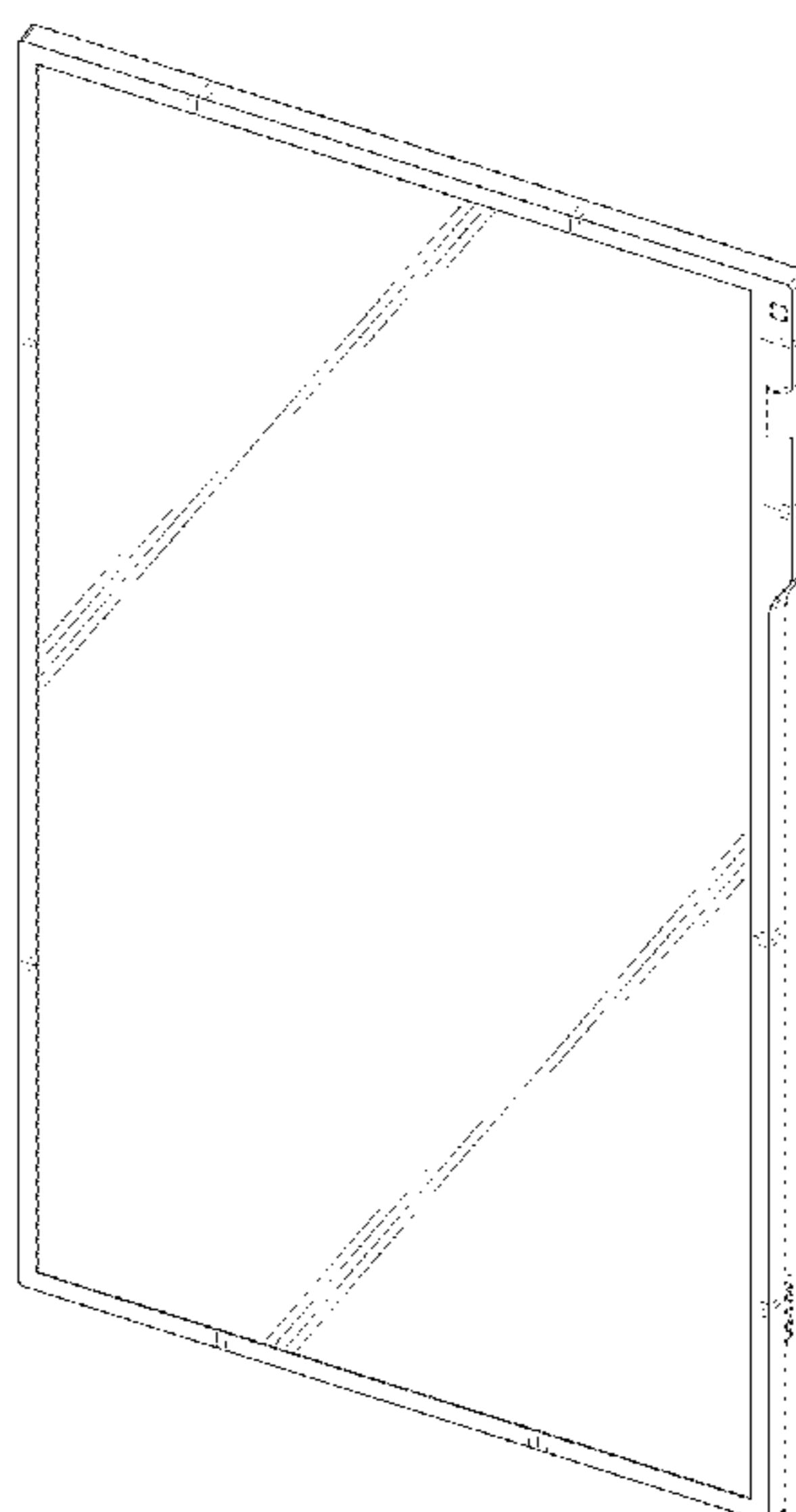
FIG. 1 is a front perspective view of an electronic board showing my new design;
FIG. 2 is a front elevation view thereof;
FIG. 3 is a rear elevation view thereof;
FIG. 4 is a left-side elevation view thereof;
FIG. 5 is a right-side elevation view thereof;
FIG. 6 is a top plan view thereof;
FIG. 7 is a bottom plan view thereof;
FIG. 8 is a rear perspective view thereof;
FIG. 9 is a front perspective view thereof, showing the electronic board in a first orientation along with a stylus and a stand component to provide example environment; and,
FIG. 10 is a front perspective view thereof, showing the electronic board in a second orientation along with a stylus and a stand component to provide example environment.
The dashed broken lines in the drawings represent portions of the electronic board and example environment that form no part of the claimed design.

(56) **References Cited**

U.S. PATENT DOCUMENTS

6,307,530 B1 * 10/2001 Cho G02F 1/13452
345/87
D496,361 S * 9/2004 Hotta D14/374

1 Claim, 10 Drawing Sheets



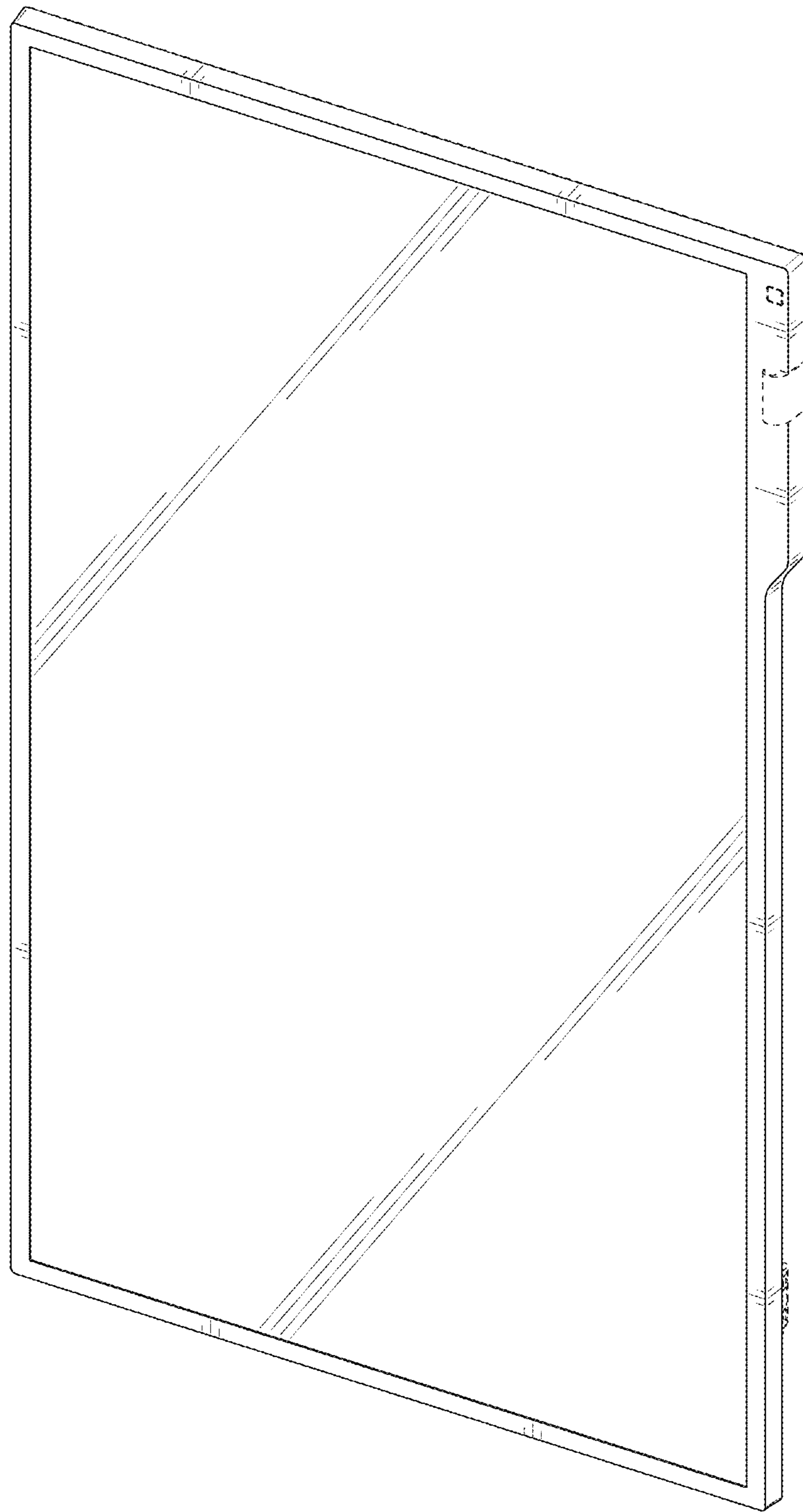


FIG. 1

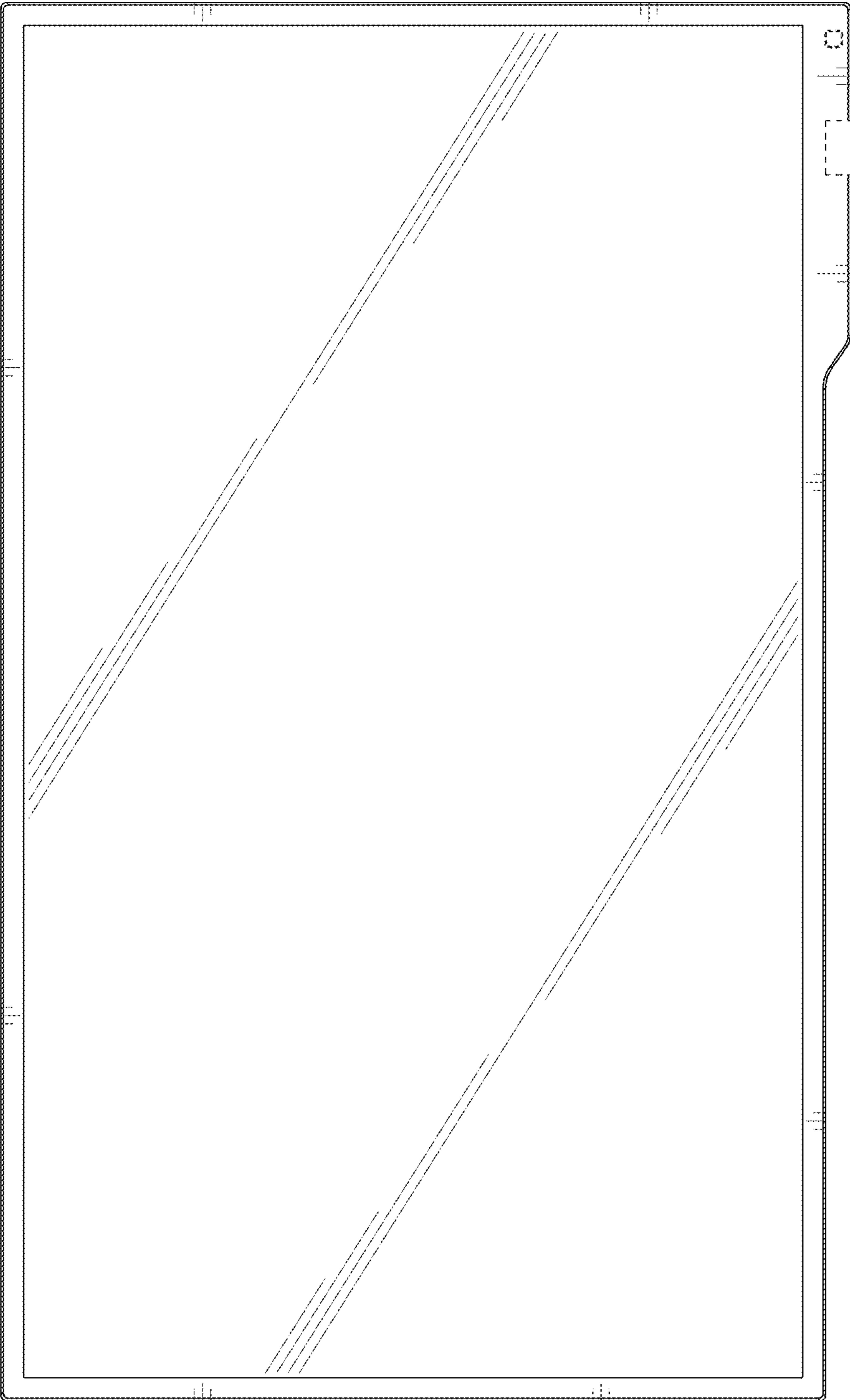


FIG. 2

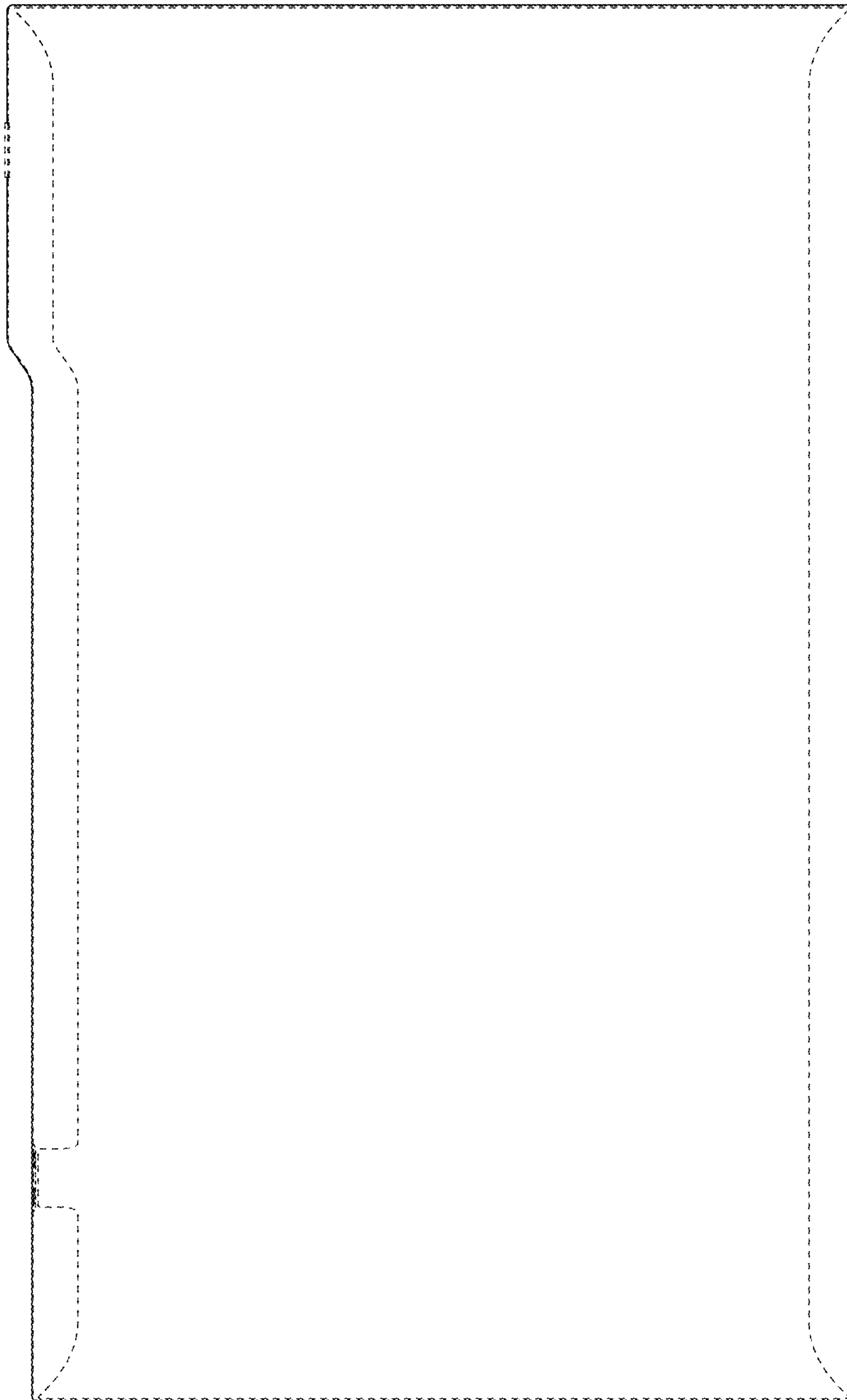


FIG. 3

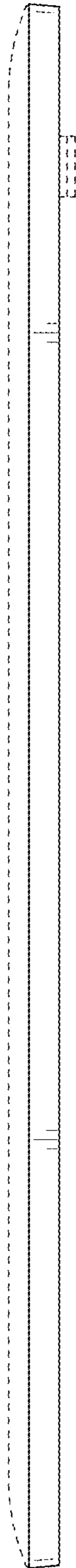


FIG. 4

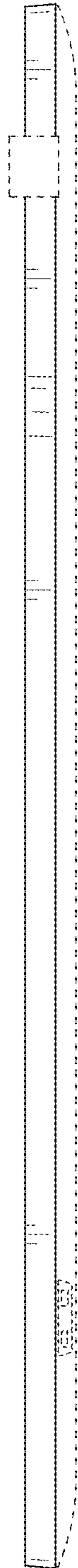


FIG. 5

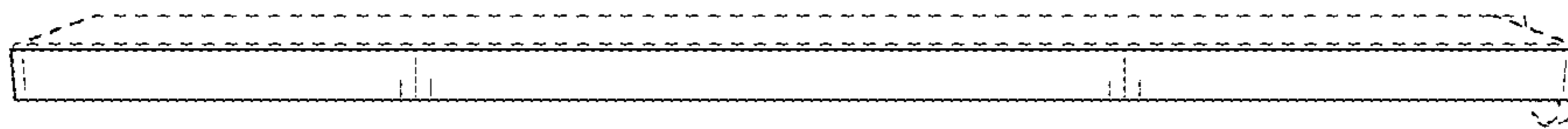


FIG. 6

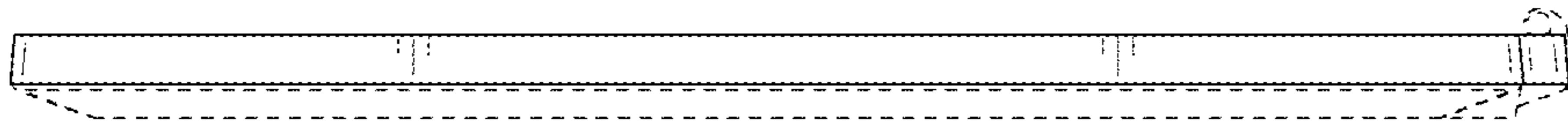


FIG. 7

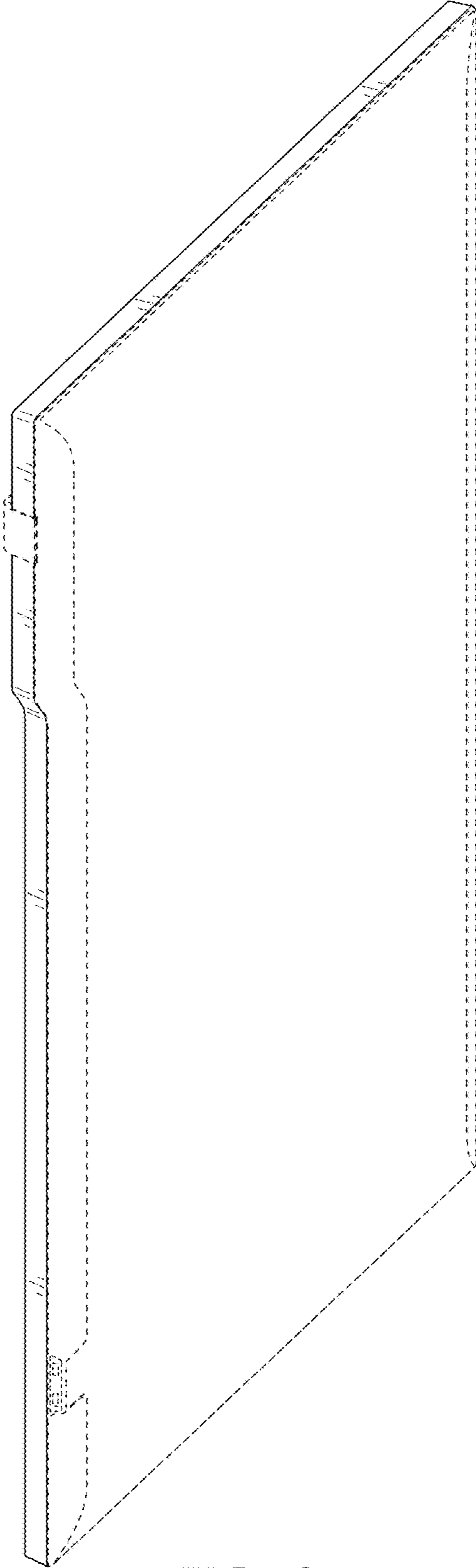


FIG. 8

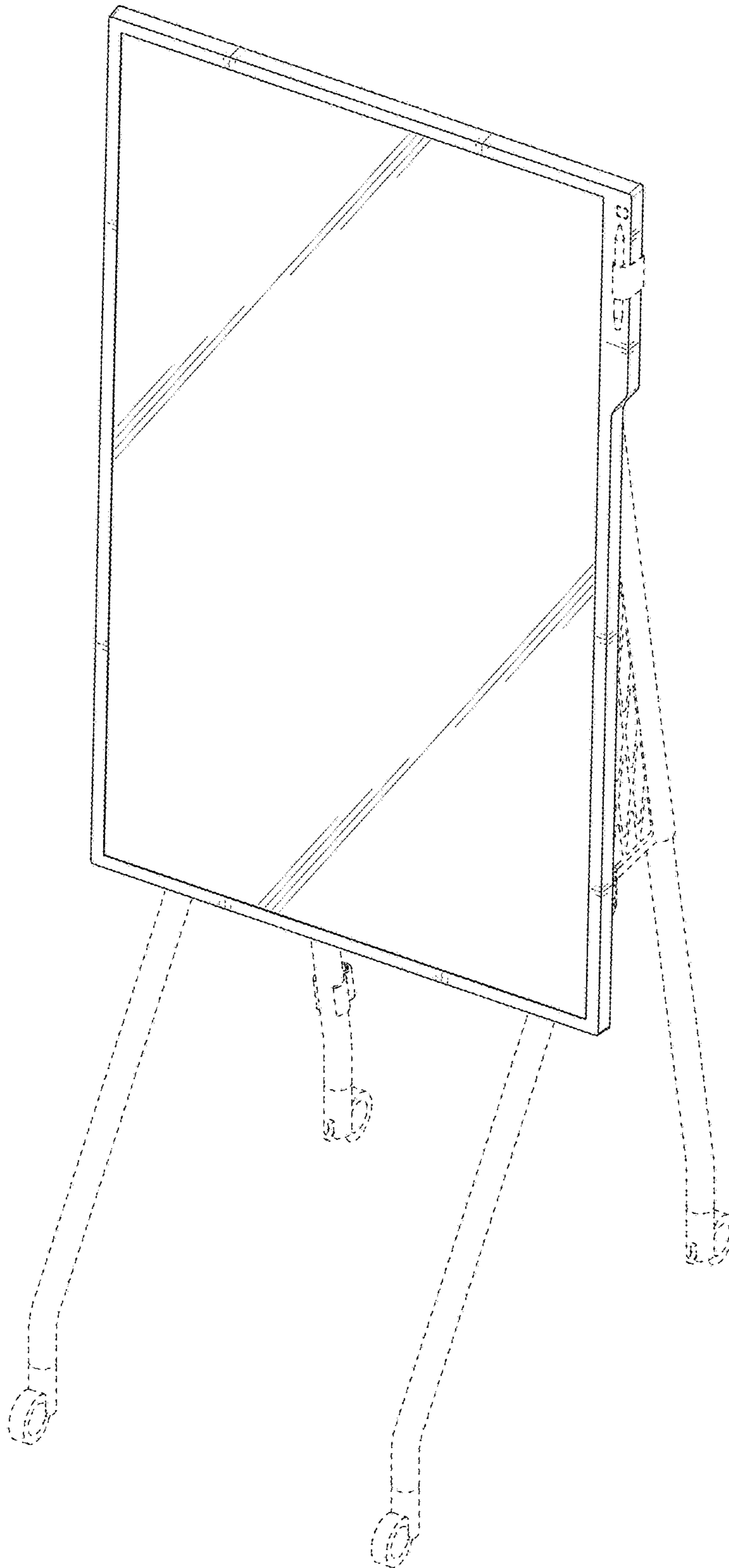


FIG. 9

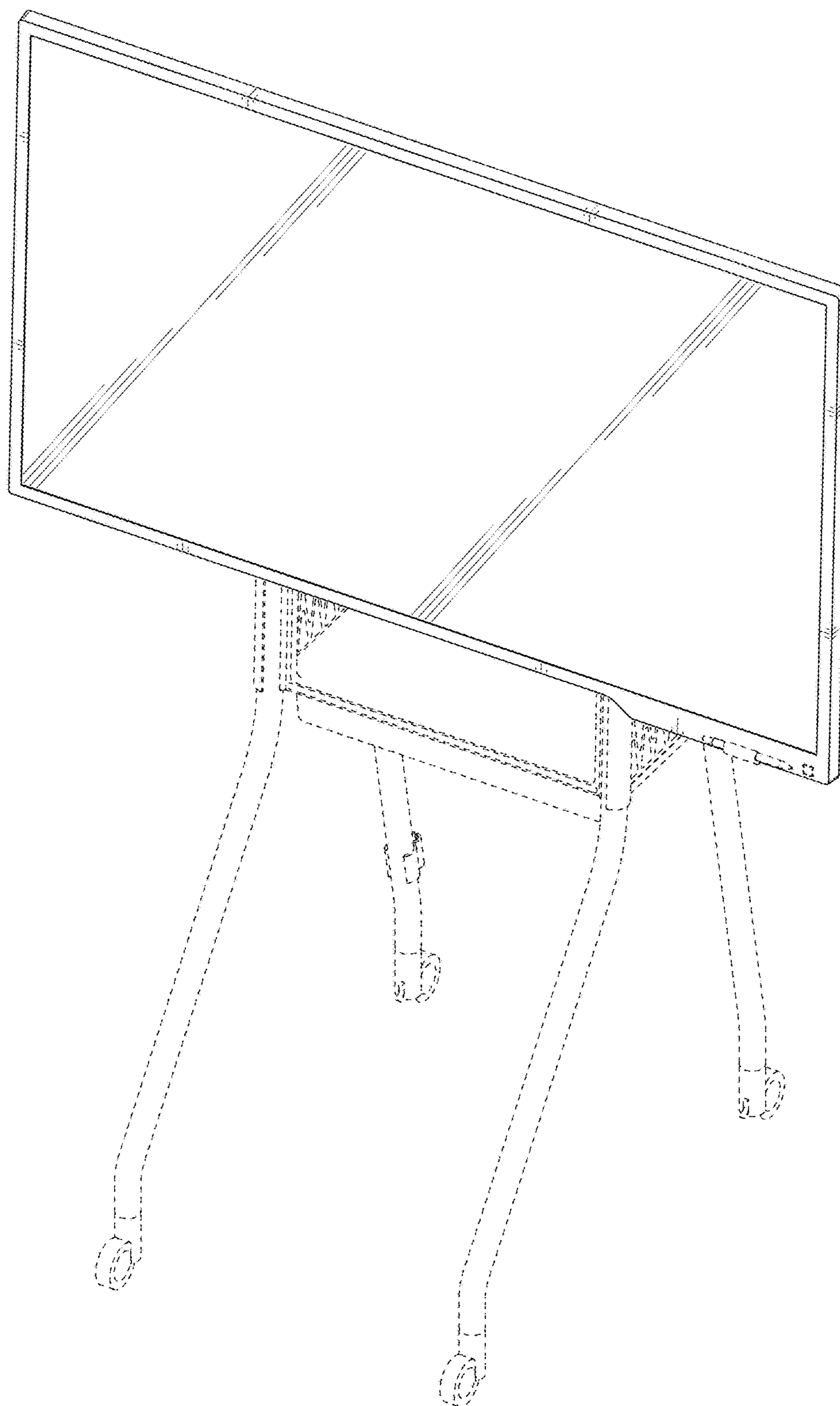


FIG. 10