



US00D824351S

(12) **United States Design Patent** (10) **Patent No.:** **US D824,351 S**
Kim et al. (45) **Date of Patent:** **** Jul. 31, 2018**

(54) **AUDIO VISUAL BOX FOR A TELEVISION RECEIVER**

(56) **References Cited**

(71) Applicant: **LG ELECTRONICS INC.**, Seoul (KR)

(72) Inventors: **Yooseok Kim**, Seoul (KR); **Sunha Park**, Seoul (KR); **Byungmu Huh**, Seoul (KR)

(73) Assignee: **LG ELECTRONICS INC.**, Seoul (KR)

(**) Term: **15 Years**

(21) Appl. No.: **35/503,165**

(22) Filed: **Dec. 12, 2016**

(80) **Hague Agreement Data**

Int. Filing Date: **Dec. 12, 2016**
Int. Reg. No.: **DM/093974**
Int. Reg. Date: **Dec. 12, 2016**
Int. Reg. Pub. Date: **Jun. 16, 2017**

(30) **Foreign Application Priority Data**

Jun. 14, 2016 (KR) 30-2016-0028740

(51) **LOC (11) Cl.** **14-03**

(52) **U.S. Cl.**
USPC **D14/125**

(58) **Field of Classification Search**
USPC D14/125, 357-358, 496, 188, 242, 432;
D13/184
CPC .. H04N 5/50; H04N 5/64; H05K 5/02; H05K
5/03

See application file for complete search history.

U.S. PATENT DOCUMENTS

D573,979 S *	7/2008	Barnett	D14/214
D614,670 S *	4/2010	Strauser	D14/496
D689,484 S *	9/2013	Kuo	D14/358
D748,069 S *	1/2016	Bose	D14/125
D763,811 S *	8/2016	Park	D14/125
D781,794 S *	3/2017	Gargani	D14/125
D797,586 S *	9/2017	Umezawa	D10/76
D803,265 S *	11/2017	Spindler	D14/496
D810,044 S *	2/2018	Ohmachi	D14/188
D813,836 S *	3/2018	Suzuki	D14/188
D815,054 S *	4/2018	Odryna	D14/125
D817,288 S *	5/2018	Won	D14/125

* cited by examiner

Primary Examiner — Michael A. Pratt

(74) *Attorney, Agent, or Firm* — Birch, Stewart, Kolasch & Birch, LLP

(57) **CLAIM**

The ornamental design for audio visual box for a television receiver, as shown and described.

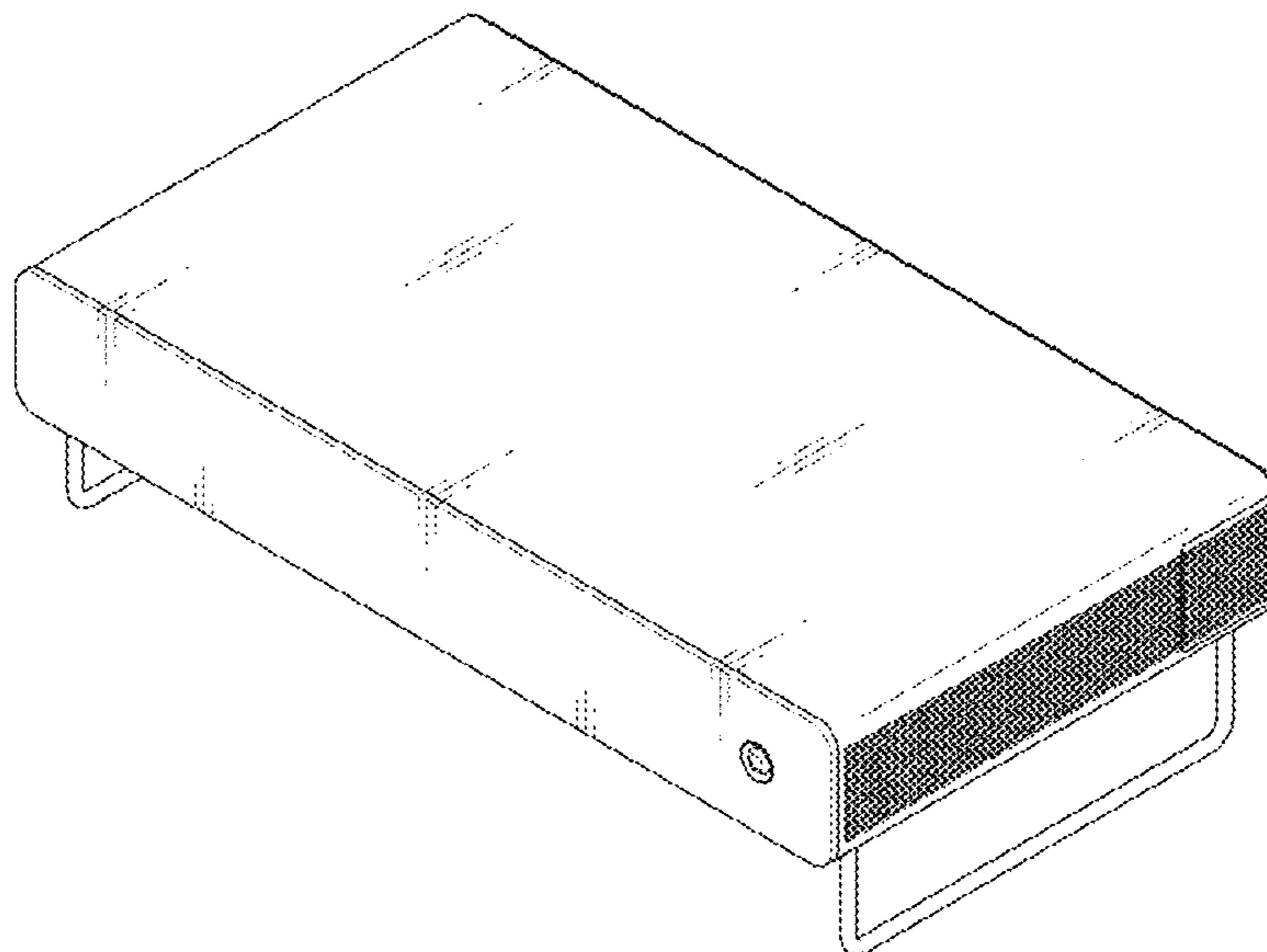
DESCRIPTION

1. Audio visual box for a television receiver

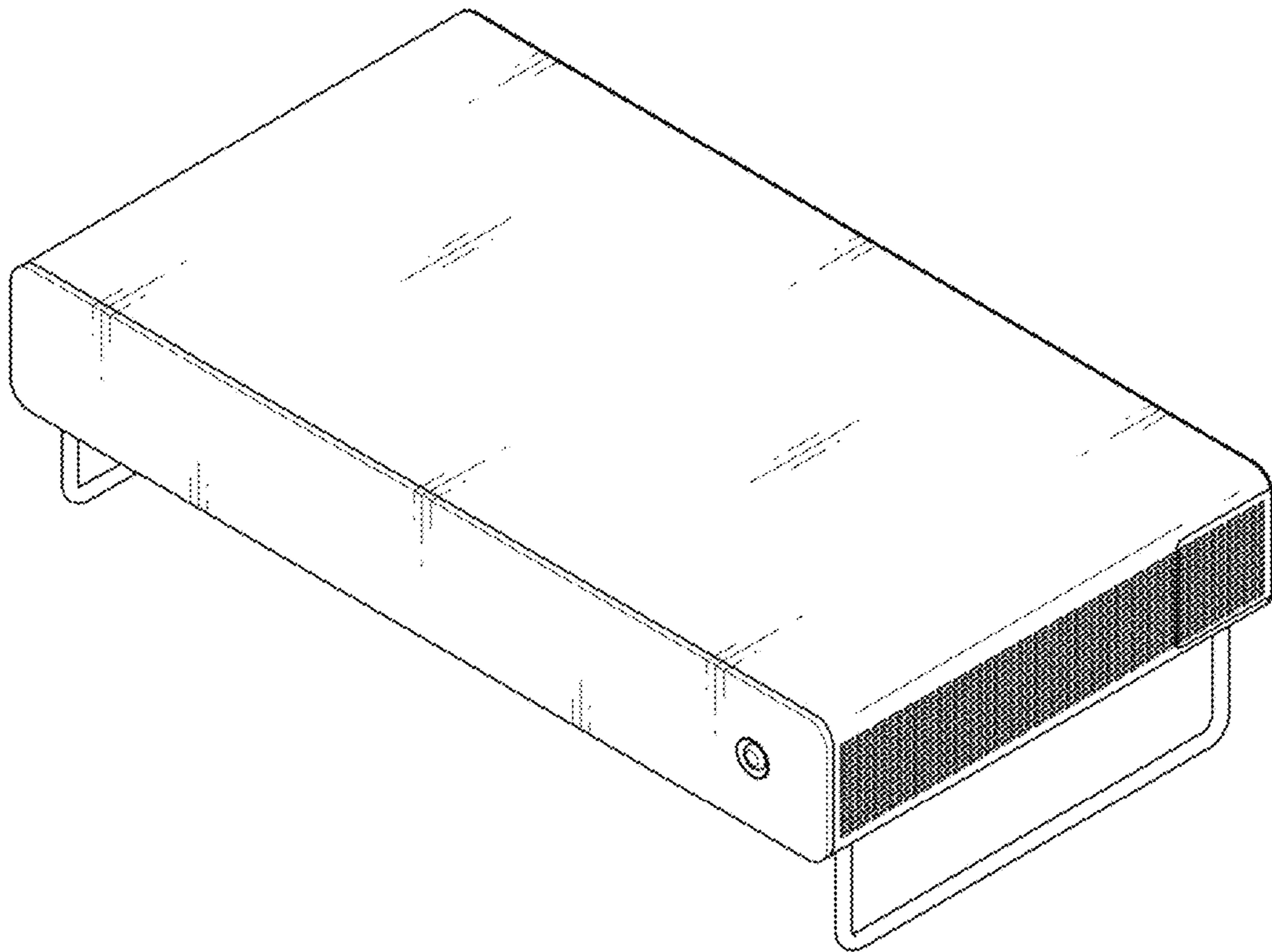
- 1.1 : Perspective
- 1.2 : Front
- 1.3 : Back
- 1.4 : Left
- 1.5 : Right
- 1.6 : Top
- 1.7 : Bottom

The gist of the present ornamental design is a combination of shape and pattern of “audio visual box for a television receiver” as shown and described.

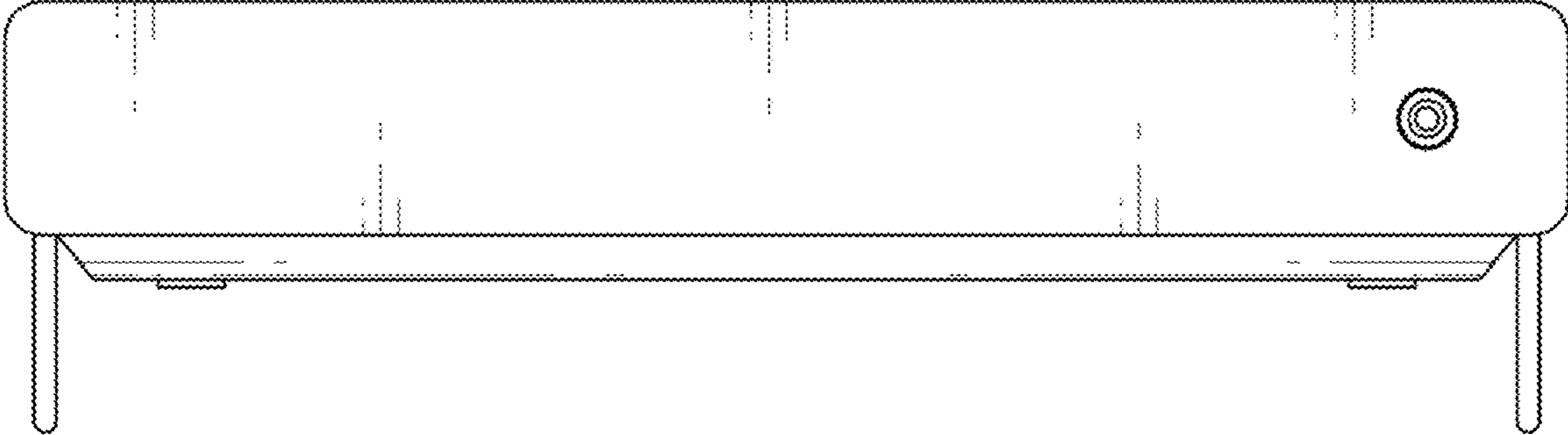
1 Claim, 7 Drawing Sheets



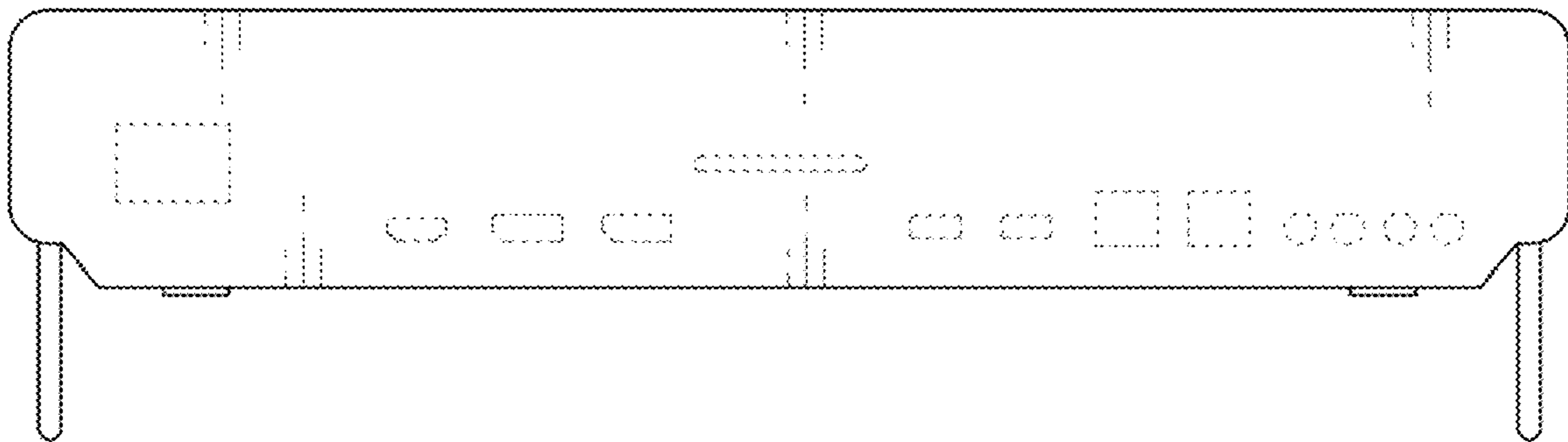
1.1



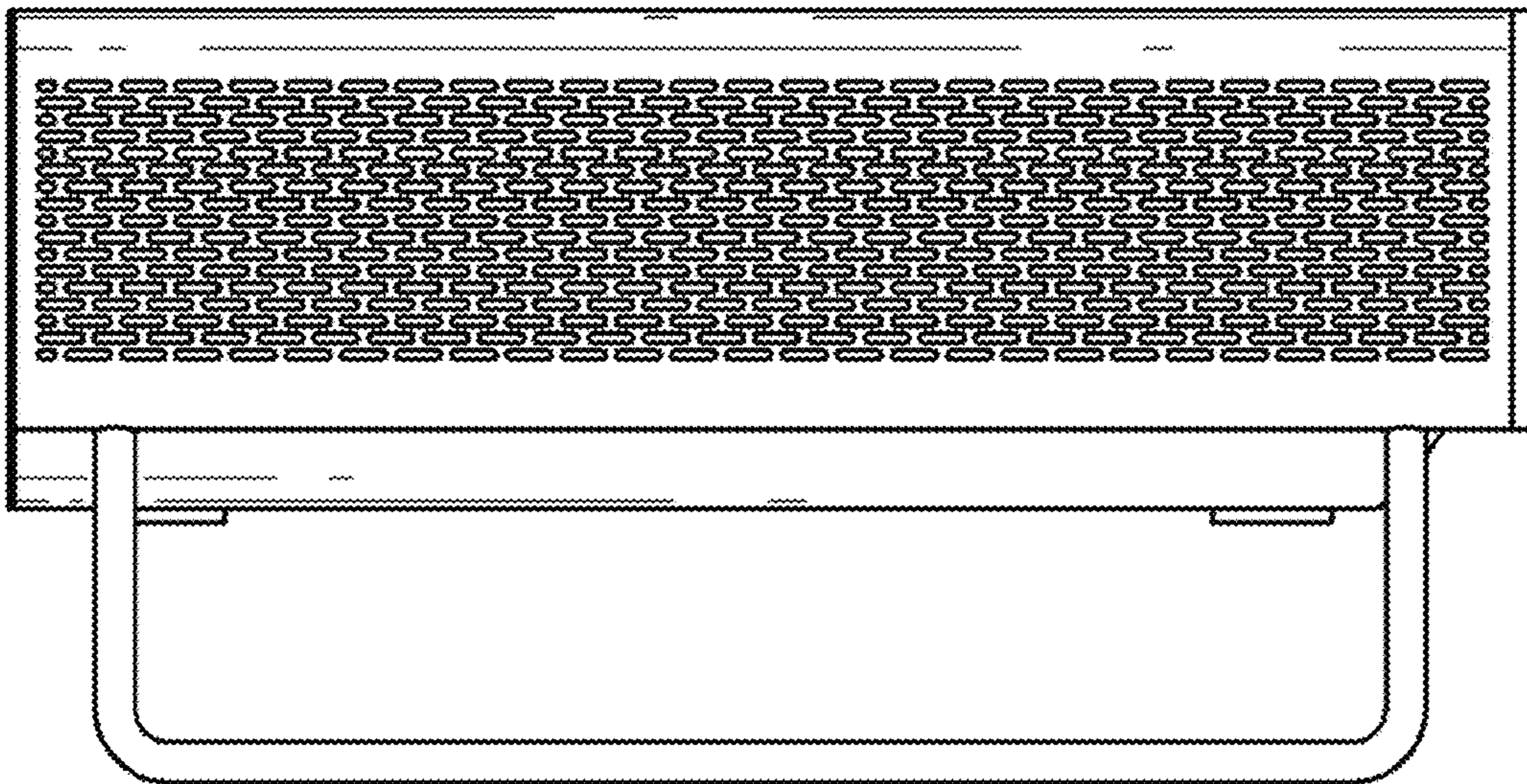
1.2



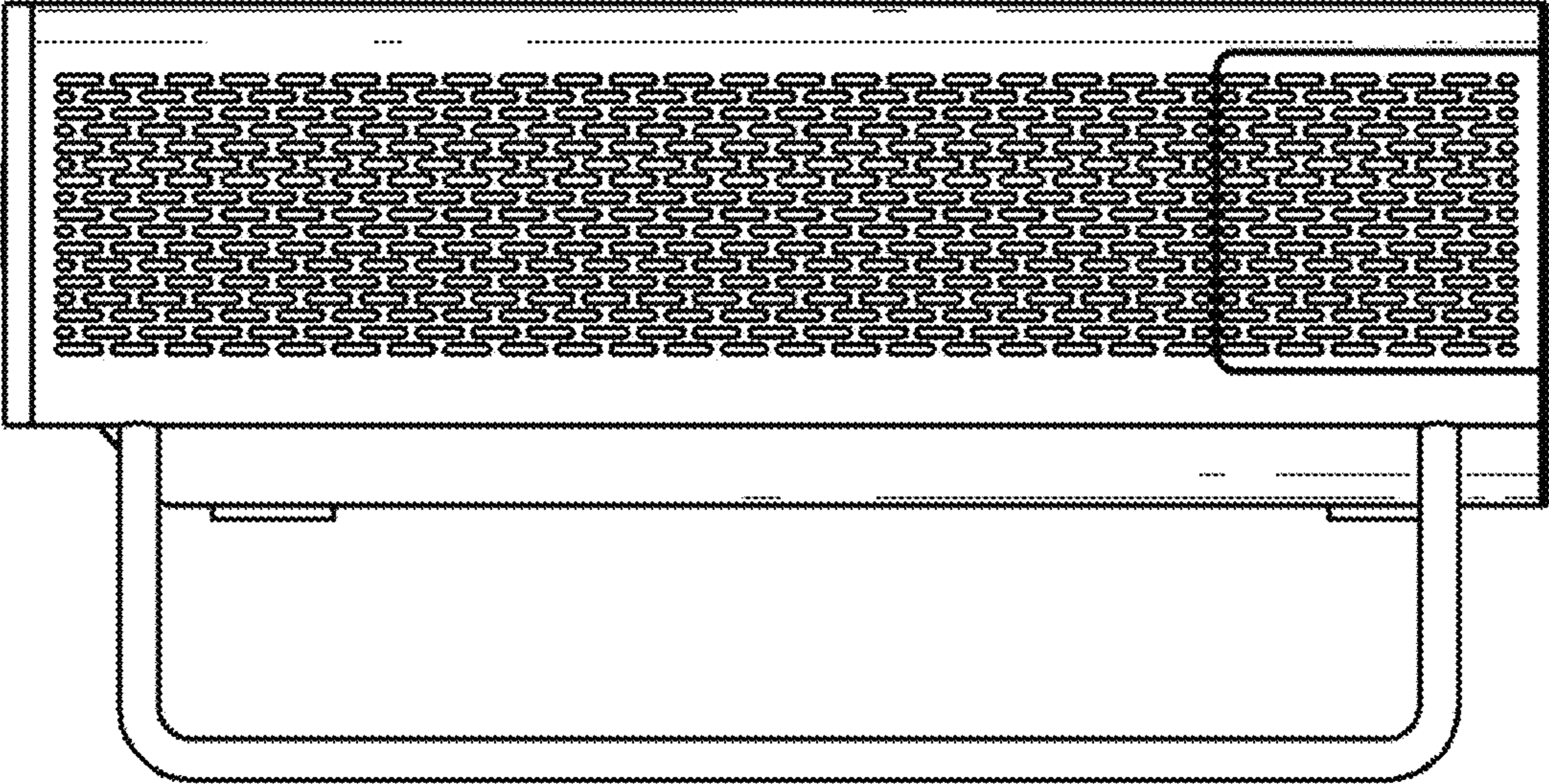
1.3



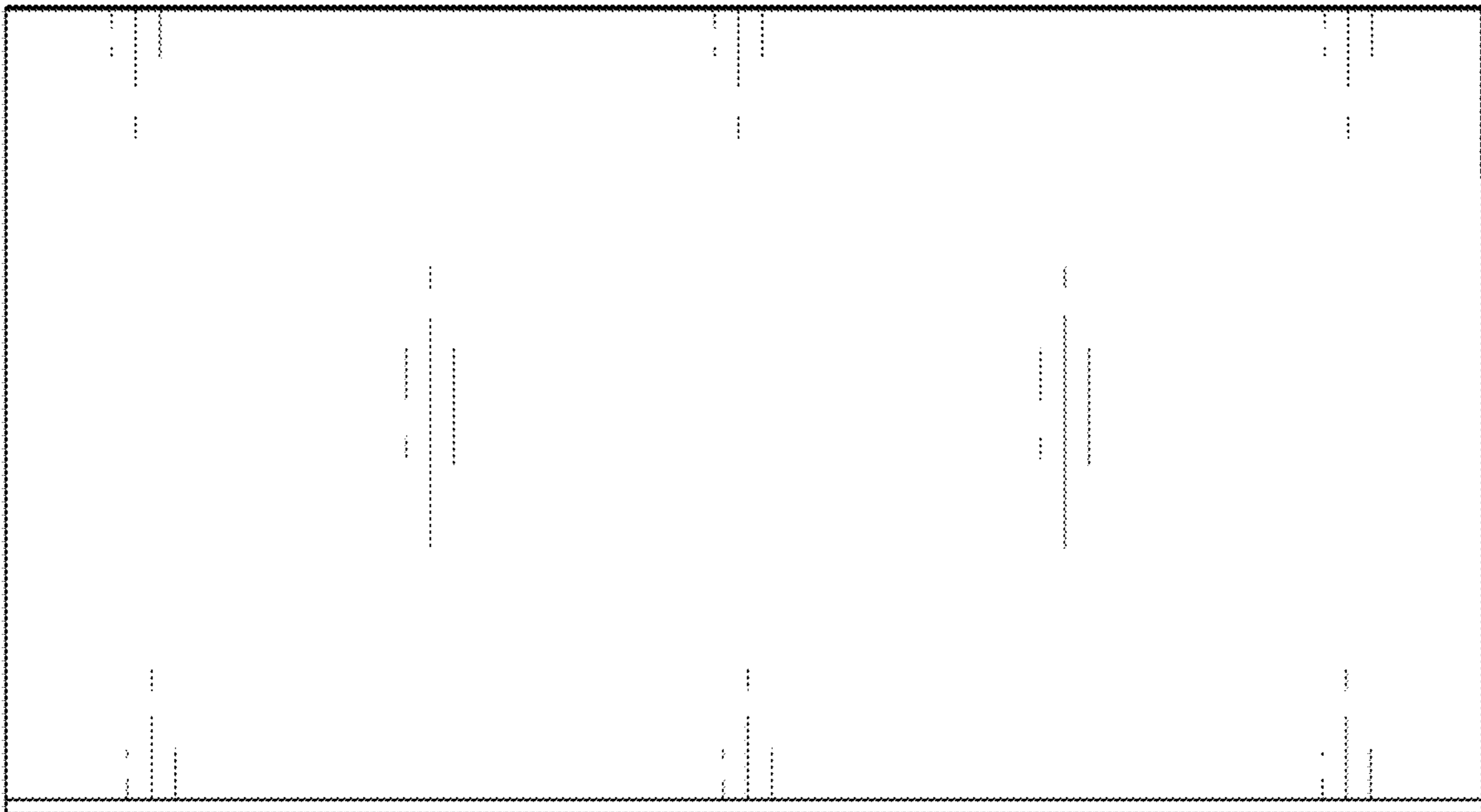
1.4



1.5



1.6



1.7

