



US00D824350S

(12) **United States Design Patent** (10) **Patent No.:** **US D824,350 S**
Kim et al. (45) **Date of Patent:** **** Jul. 31, 2018**

(54) **AUDIO VISUAL BOX FOR TV RECEIVER**

(56) **References Cited**

(71) Applicant: **LG ELECTRONICS INC.**, Seoul (KR)

U.S. PATENT DOCUMENTS

(72) Inventors: **Yooseok Kim**, Seoul (KR); **Jongyoun Shin**, Seoul (KR); **Sunha Park**, Seoul (KR); **Younsoo Kim**, Seoul (KR); **Byungmu Huh**, Seoul (KR)

5,280,152	A	*	1/1994	Lee	F24C 7/10
						219/452.13
D498,225	S	*	11/2004	Takeuchi	D14/188
D526,640	S	*	8/2006	Chin	D14/188
D631,076	S	*	1/2011	Liu	D16/134
D639,413	S	*	6/2011	Wu	D23/364
D649,541	S	*	11/2011	Morenstein	D14/314
D655,263	S	*	3/2012	Tsai	D14/125
D660,896	S	*	5/2012	Wong	D16/134
D707,668	S	*	6/2014	Lim	D14/242
D714,249	S	*	9/2014	Carney	D14/140
D718,738	S	*	12/2014	Michael	D14/214
D736,166	S	*	8/2015	Kuh	D14/125
D740,262	S	*	10/2015	Hasegawa	D14/240
D741,466	S	*	10/2015	Satou	D23/364

(73) Assignee: **LG ELECTRONICS INC.**, Seoul (KR)

(**) Term: **15 Years**

(21) Appl. No.: **35/501,855**

(22) Filed: **May 11, 2016**

(80) **Hague Agreement Data**

Int. Filing Date: **May 11, 2016**

Int. Reg. No.: **DM/091555**

Int. Reg. Date: **May 11, 2016**

Int. Reg. Pub. Date: **Nov. 11, 2016**

(30) **Foreign Application Priority Data**

Nov. 13, 2015 (KR) 30-2015-0057409

(51) **LOC (11) Cl.** **14-03**

(52) **U.S. Cl.**
USPC **D14/125**

(58) **Field of Classification Search**
USPC D14/125-134, 239, 371, 136, 374-377, D14/440, 450, 448, 336, 342, 159; D6/477, 479, 300; D20/10, 19, 39; D16/203, 241; D10/15, 26; D21/329, D21/515, 577, 622, 333, 433, 448, 452, D21/450, 331, 505
CPC G06F 1/1601; G06F 1/1643; G06F 1/1652; G06F 1/1647; G06F 3/0412; H05K 5/0004; H05K 5/0017; H05K 5/02; H05K 5/0217; H04N 13/0459
See application file for complete search history.

(Continued)

Primary Examiner — Mary Ann Calabrese

Assistant Examiner — Jennifer L Rempfer

(74) *Attorney, Agent, or Firm* — Birch, Stewart, Kolasch & Birch, LLP

(57) **CLAIM**

The ornamental design for an audio visual box for TV receiver, as shown and described.

DESCRIPTION

1. Audio visual box for TV receiver

1.1 : Perspective

1.2 : Front

1.3 : Back

1.4 : Left

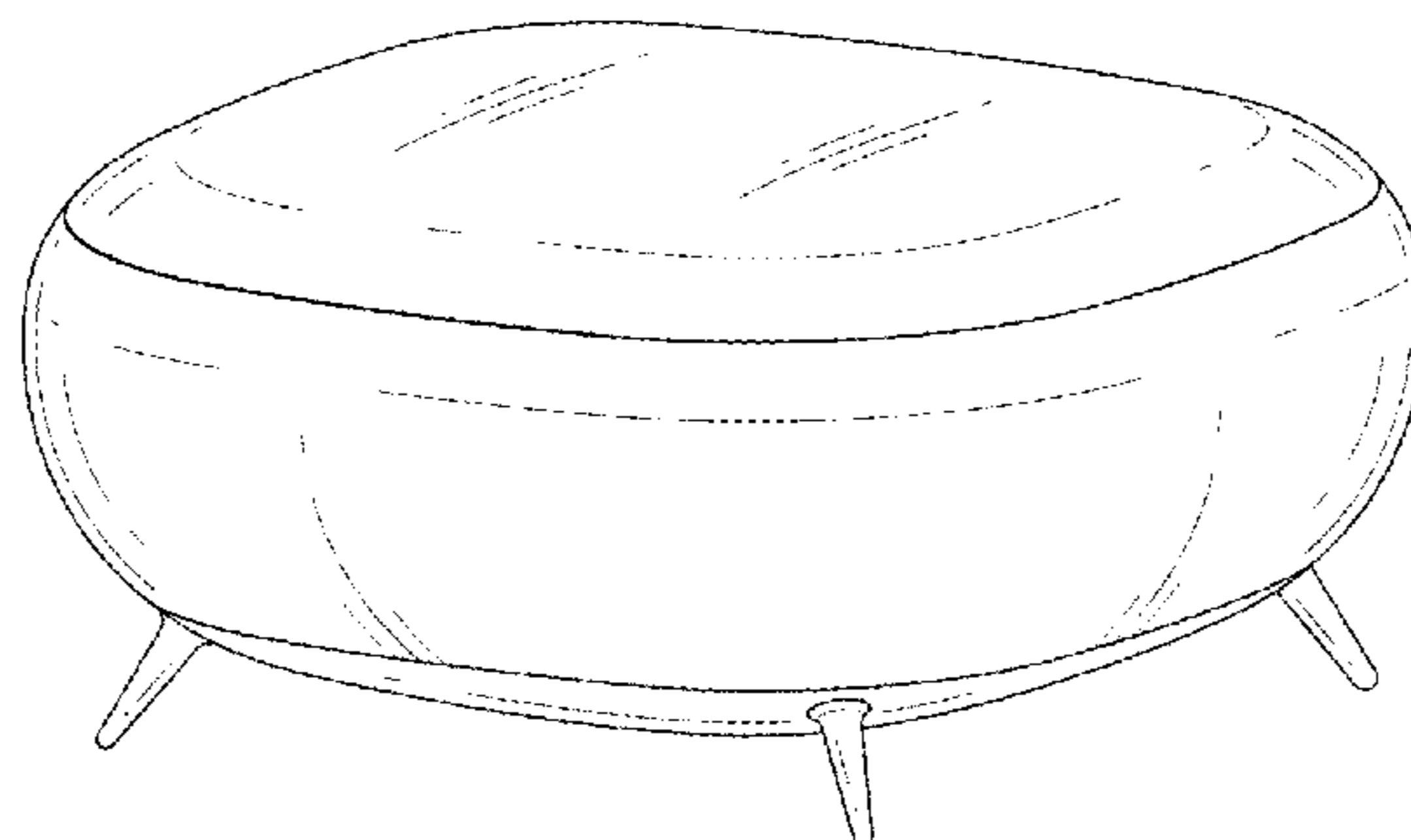
1.5 : Right

1.6 : Top

1.7 : Bottom

The broken lines represent features of the audio visual box for a TV receiver that form no part of the claimed design.

1 Claim, 5 Drawing Sheets



(56)

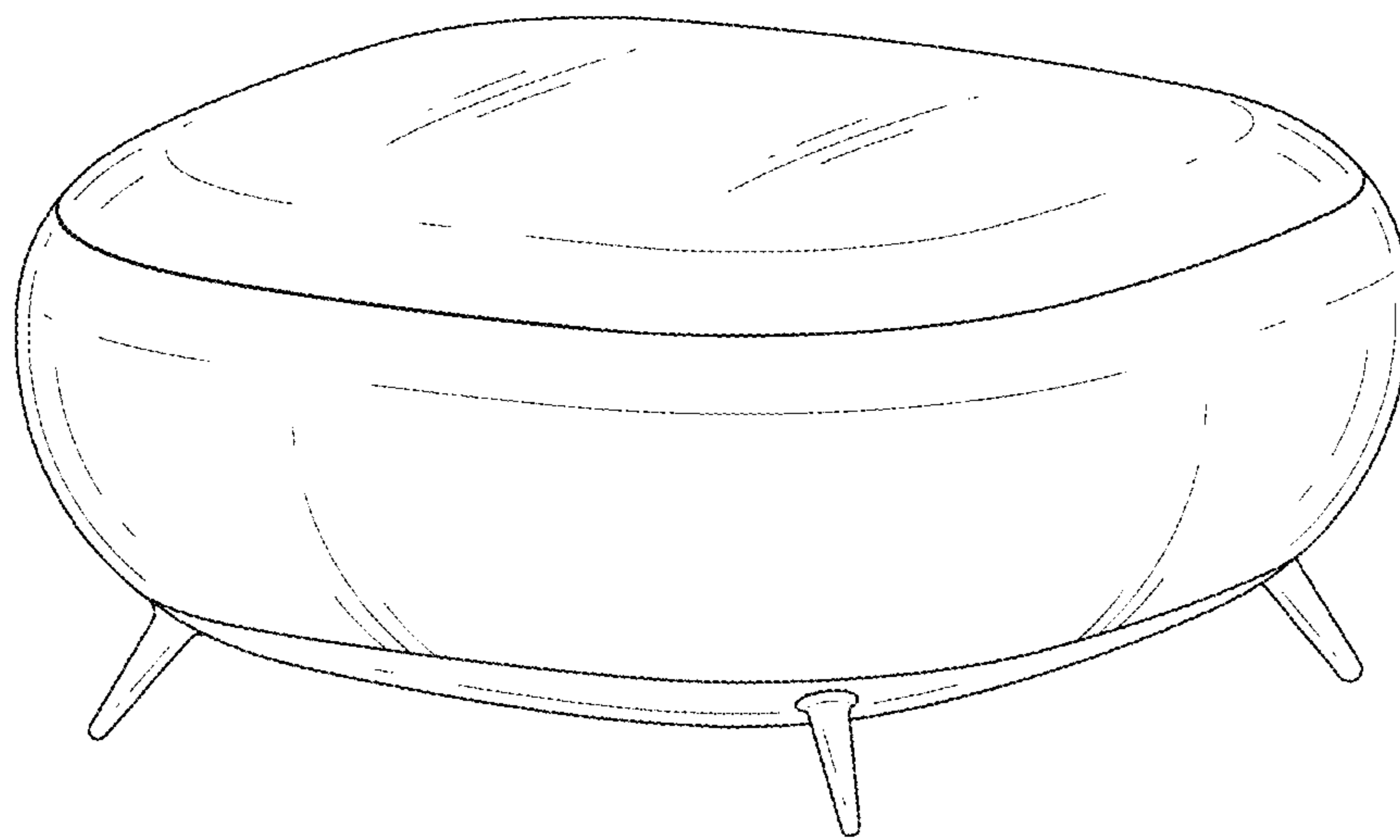
References Cited

U.S. PATENT DOCUMENTS

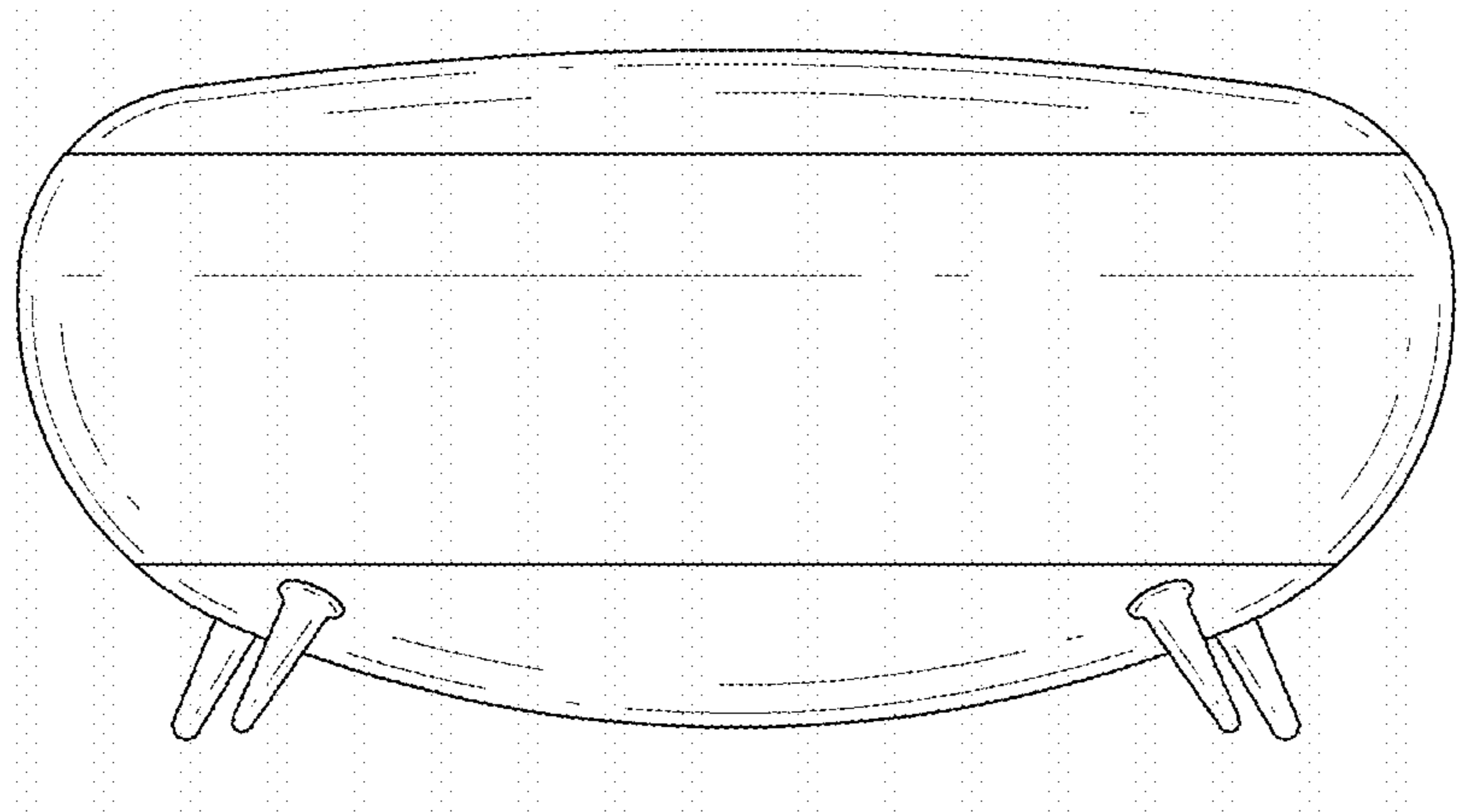
D752,531 S *	3/2016	Xu	D14/125
D763,210 S *	8/2016	Park	D14/125
D781,798 S *	3/2017	Klepper	D14/125
D782,019 S *	3/2017	Kim	D23/364
D783,552 S *	4/2017	Hogan	D14/125
D785,579 S *	5/2017	McMiller	D14/125
D787,463 S *	5/2017	Maxwell	D14/130
D789,907 S *	6/2017	Summerson	D14/204

* cited by examiner

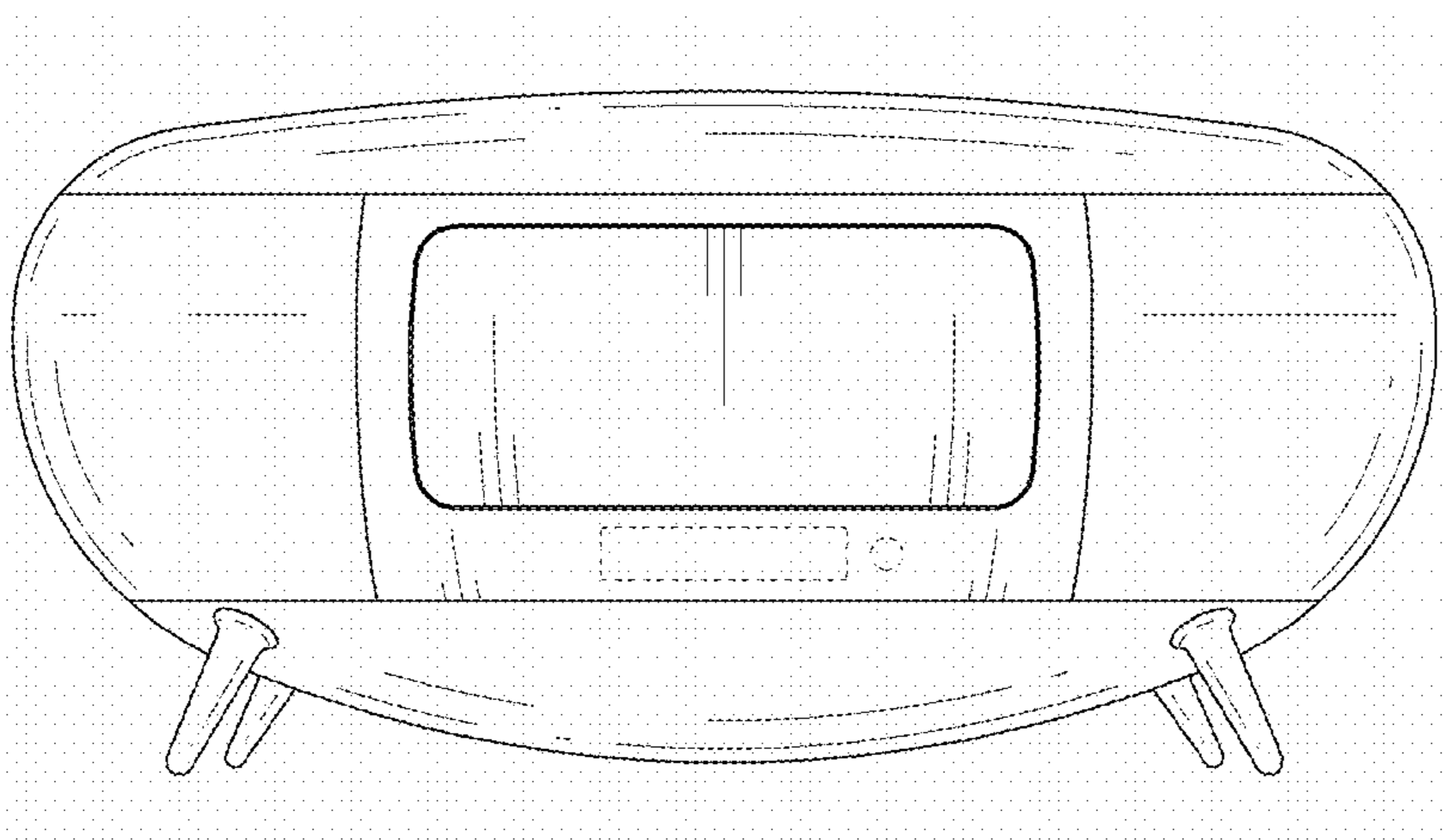
1.1



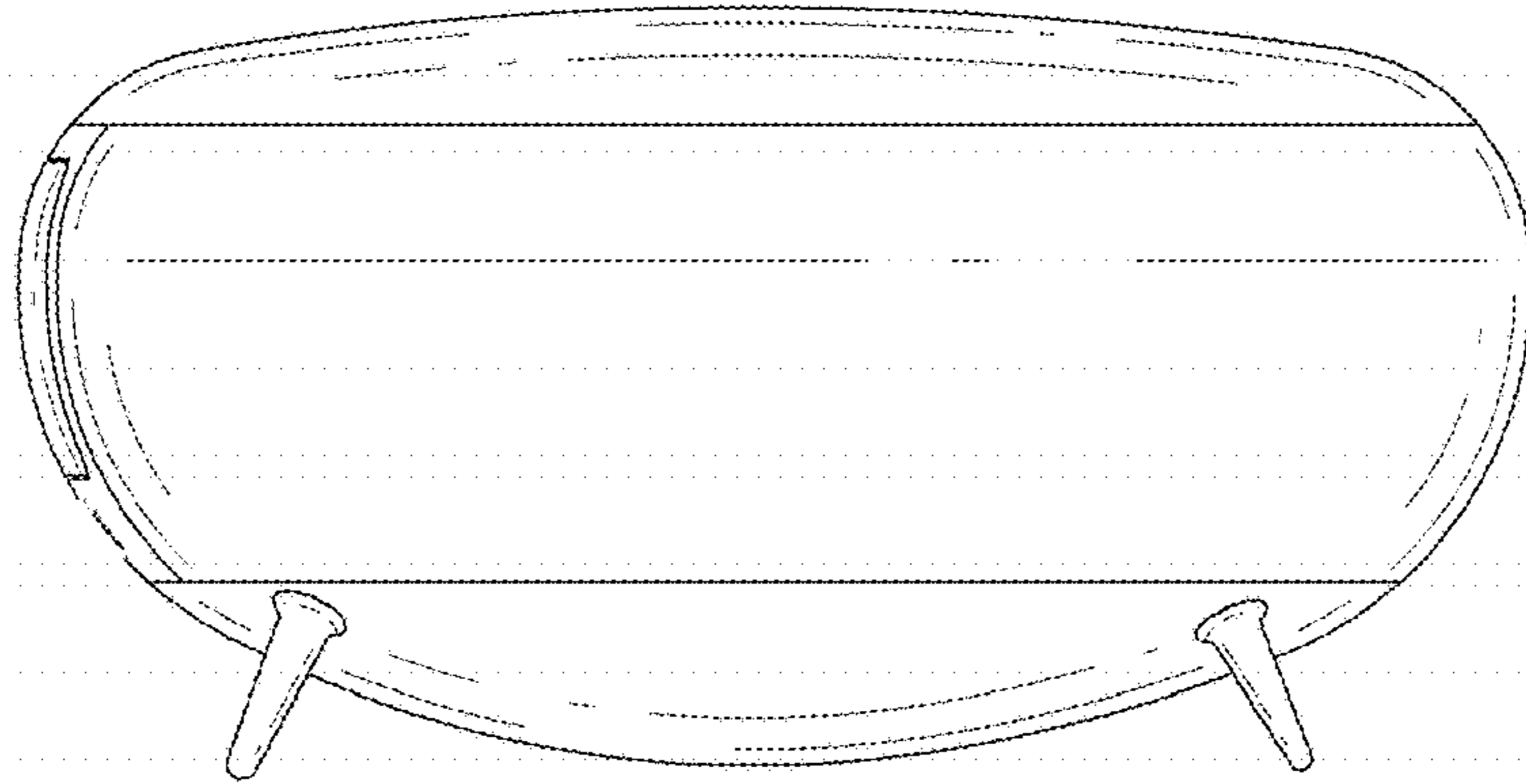
1.2



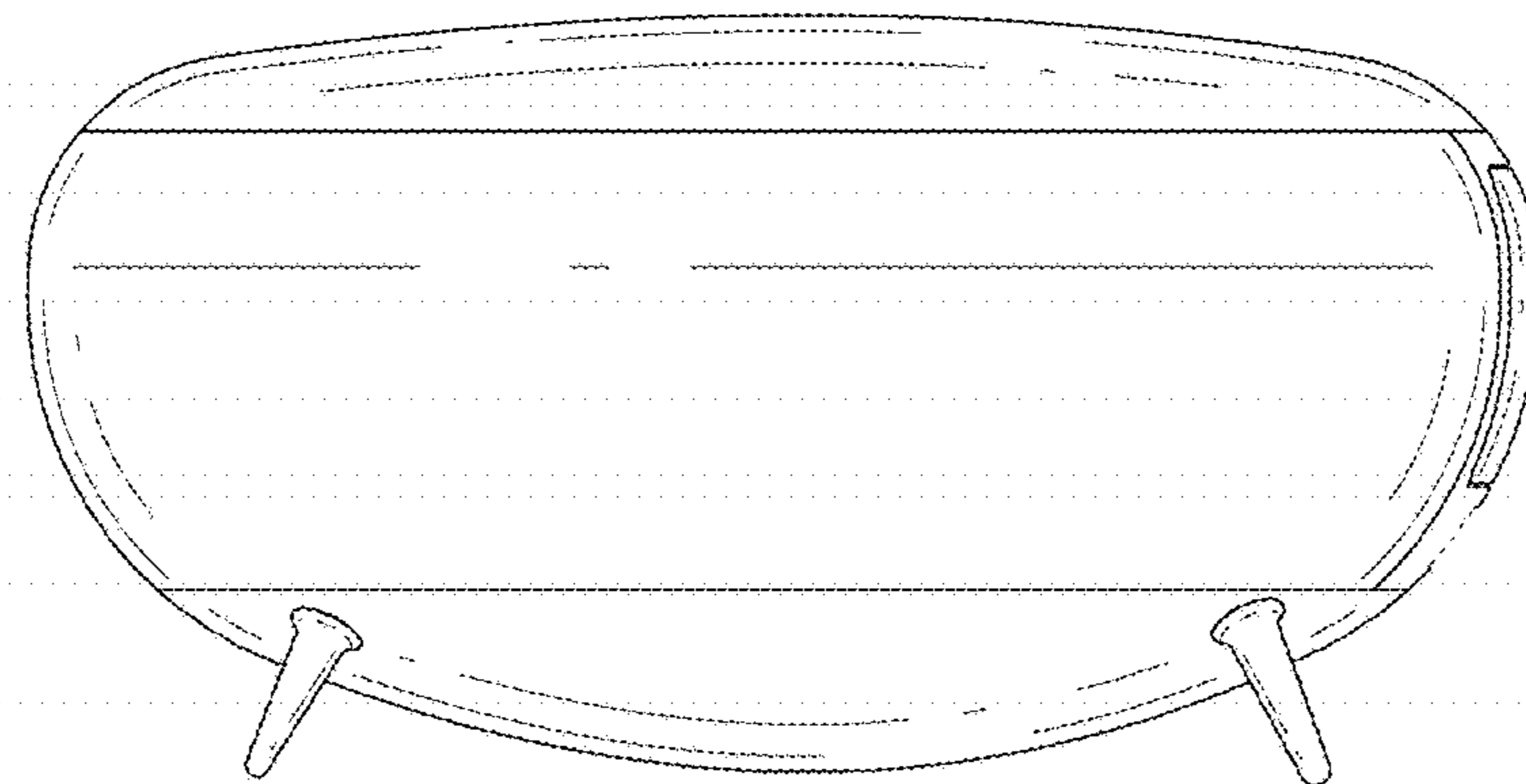
1.3



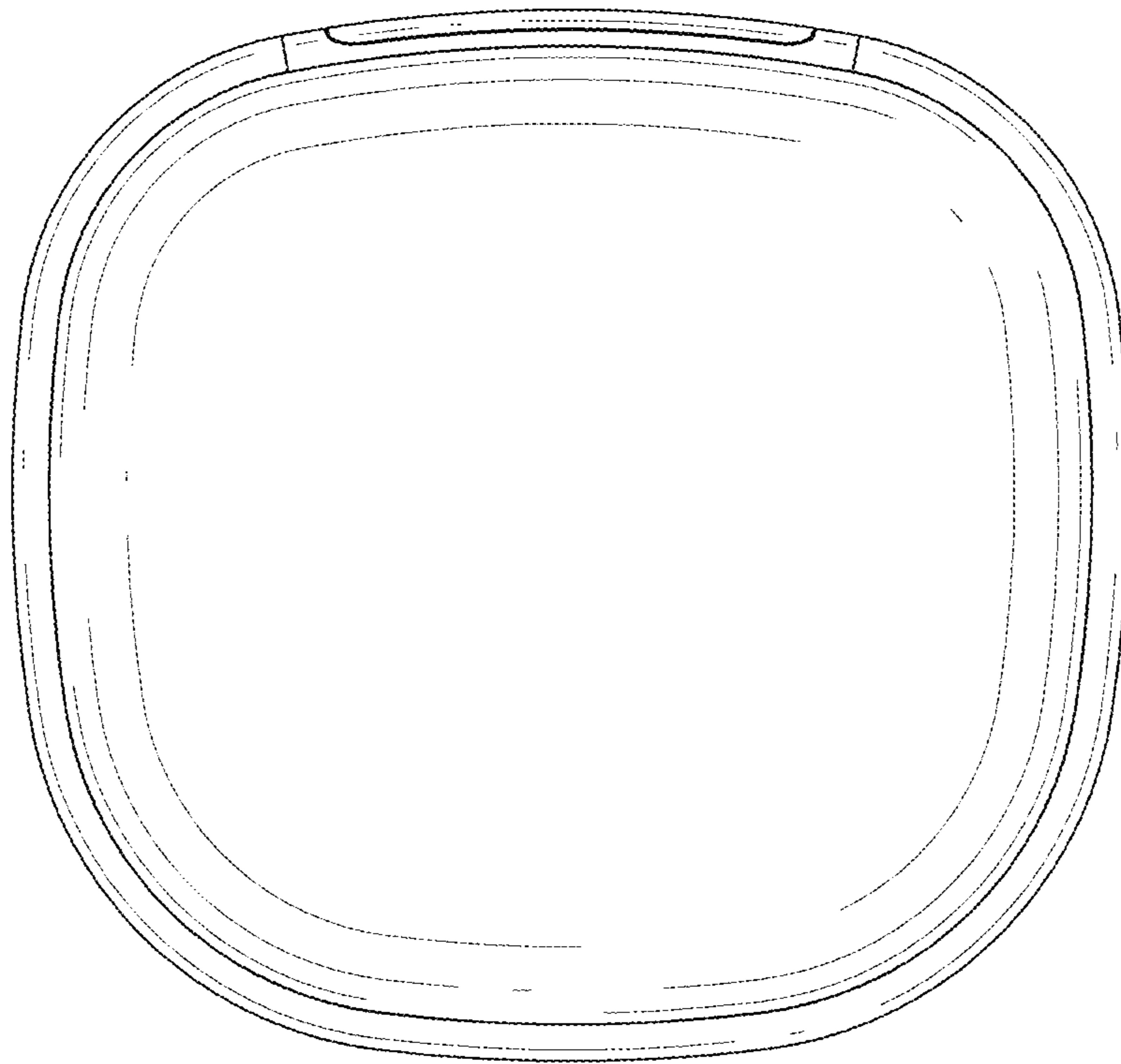
1.4



1.5



1.6



1.7

