



US00D824349S

(12) **United States Design Patent** (10) **Patent No.:** **US D824,349 S**  
**Kim et al.** (45) **Date of Patent:** **\*\* Jul. 31, 2018**

(54) **AUDIO VISUAL BOX FOR TV RECEIVER**

(56) **References Cited**

(71) Applicant: **LG ELECTRONICS INC.**, Seoul (KR)

U.S. PATENT DOCUMENTS

(72) Inventors: **Yooseok Kim**, Seoul (KR); **Jongyoun Shin**, Seoul (KR); **Sunha Park**, Seoul (KR); **Younsoo Kim**, Seoul (KR); **Byungmu Huh**, Seoul (KR)

D513,617 S *	1/2006	Tierney	.....	D14/496
D542,288 S *	5/2007	Andre	.....	D14/314
D596,626 S *	7/2009	Andre	.....	D14/240
D601,583 S *	10/2009	Andre	.....	D14/496
D618,676 S *	6/2010	Hui	.....	D14/300
D629,827 S *	12/2010	Morenstein	.....	D16/221
D647,866 S *	11/2011	Chen	.....	D14/125
D657,784 S *	4/2012	Akana	.....	D14/314
D662,904 S *	7/2012	Wu	.....	D14/125
D676,005 S *	2/2013	Wood	.....	D14/125
D686,065 S *	7/2013	Kuo	.....	D9/432
D686,201 S *	7/2013	Lee	.....	D14/314
D686,595 S *	7/2013	Andre	.....	D14/217
D723,479 S *	3/2015	Lee	.....	D14/125
D723,480 S *	3/2015	Lee	.....	D14/125

(73) Assignee: **LG ELECTRONICS INC.**, Seoul (KR)

(\*\*) Term: **15 Years**

(21) Appl. No.: **35/501,849**

(22) Filed: **May 11, 2016**

(80) **Hague Agreement Data**

Int. Filing Date: **May 11, 2016**  
Int. Reg. No.: **DM/091088**  
Int. Reg. Date: **May 11, 2016**  
Int. Reg. Pub. Date: **Nov. 11, 2016**

*Primary Examiner* — Mary Ann Calabrese  
*Assistant Examiner* — Jennifer L Rempfer  
(74) *Attorney, Agent, or Firm* — Birch, Stewart, Kolasch & Birch, LLP

(30) **Foreign Application Priority Data**

Nov. 13, 2015 (KR) ..... 30-2015-0057414

(51) **LOC (11) Cl.** ..... **14-03**

(52) **U.S. Cl.**  
USPC ..... **D14/125**

(58) **Field of Classification Search**  
USPC ..... D14/125-134, 239, 371, 136, 374-377, D14/440, 450, 448, 336, 342, 159; D6/477, 479, 300; D20/10, 19, 39; D16/203, 241; D10/15, 26; D21/329, D21/515, 577, 622, 333, 433, 448, 452, D21/450, 331, 505  
CPC .... G06F 1/1601; G06F 1/1643; G06F 1/1652; G06F 1/1647; G06F 3/0412; H05K 5/0004; H05K 5/0017; H05K 5/02; H05K 5/0217; H04N 13/0459

See application file for complete search history.

(Continued)

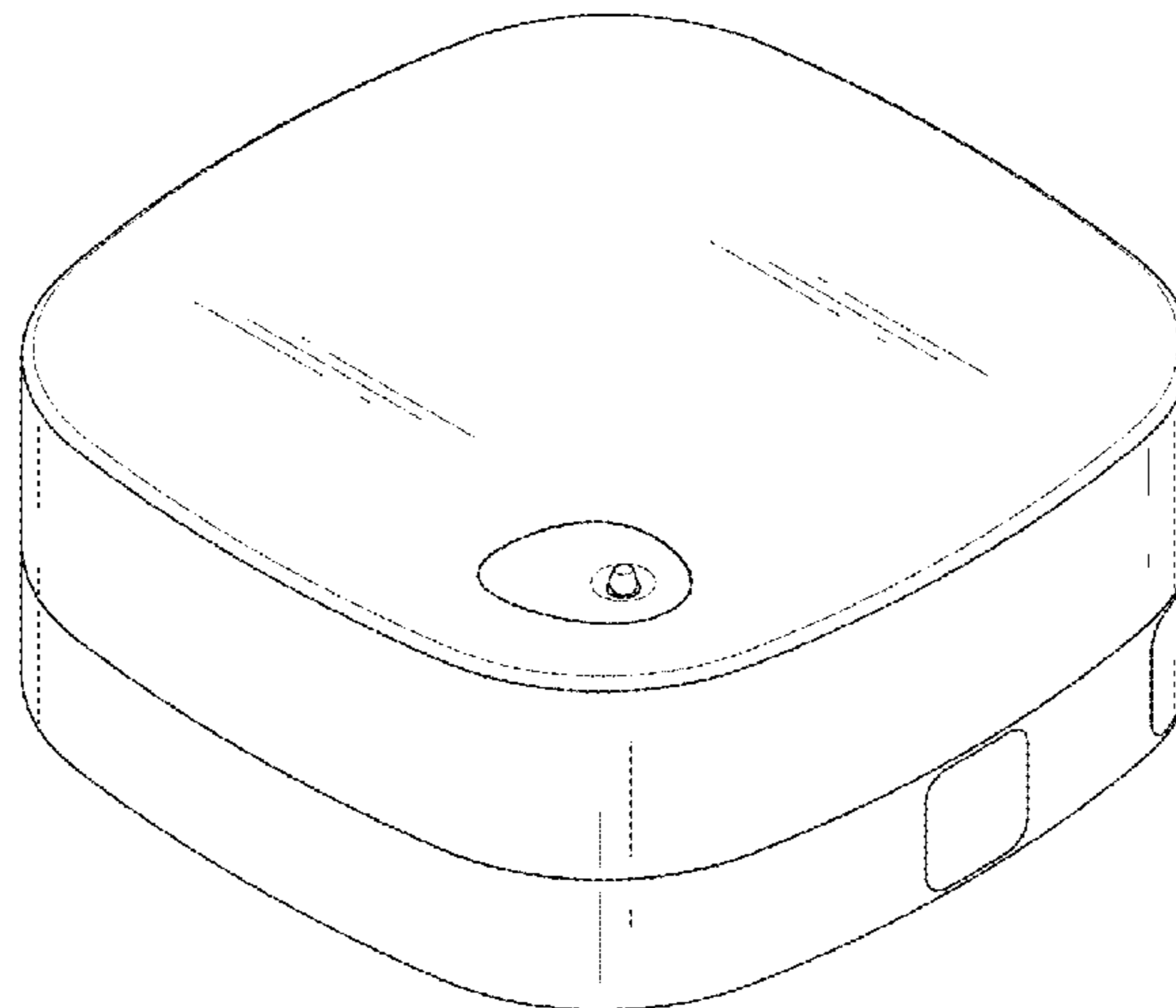
(57) **CLAIM**

The ornamental design for audio visual box for TV receiver, as shown and described.

**DESCRIPTION**

1. Audio visual box for TV receiver  
**1.1** : Perspective  
**1.2** : Front  
**1.3** : Back  
**1.4** : Left  
**1.5** : Right  
**1.6** : Top  
**1.7** : Bottom  
The broken lines represent features of the audio visual box for a TV receiver that form no part of the claimed design.

**1 Claim, 5 Drawing Sheets**



(56)

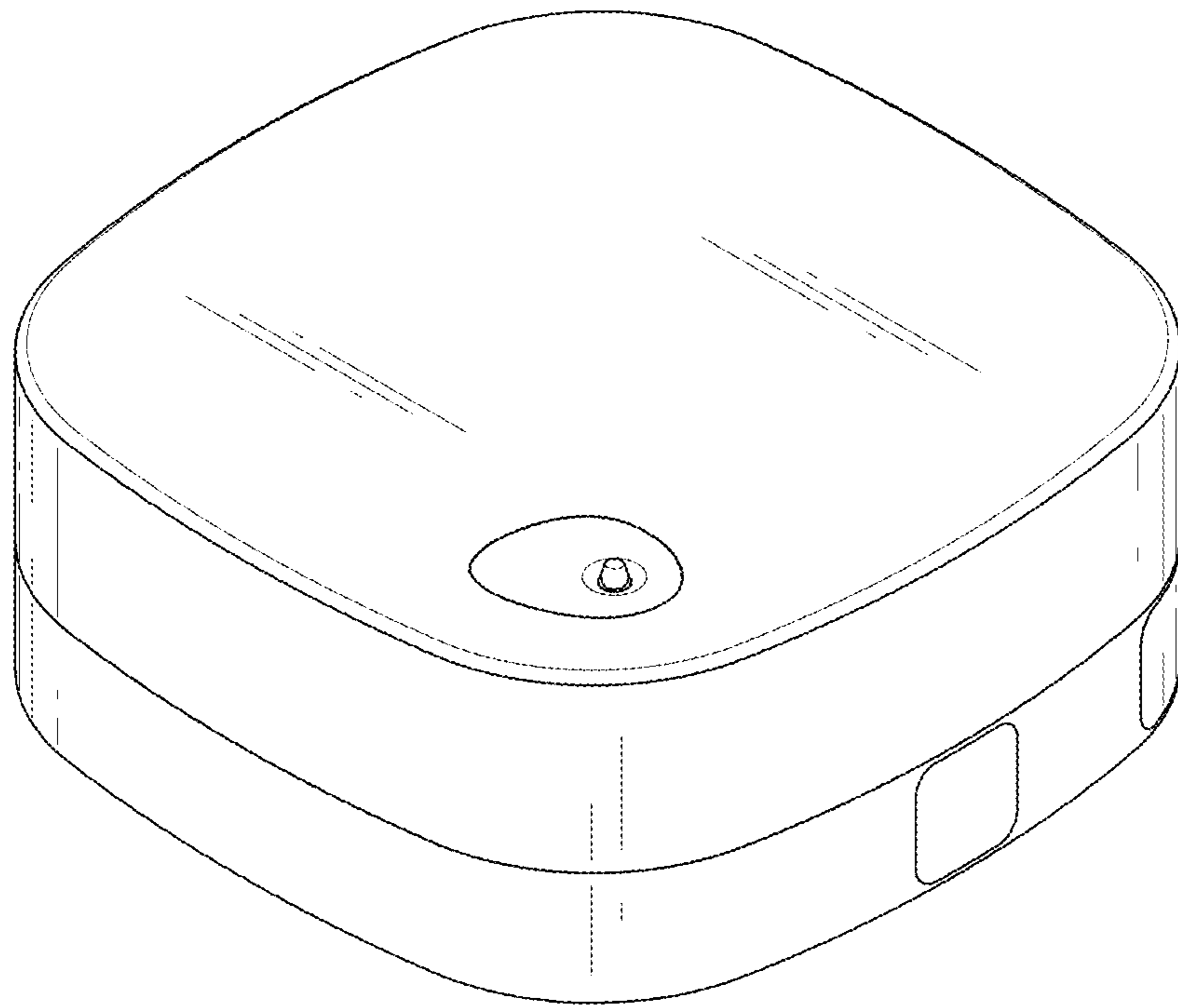
References Cited

U.S. PATENT DOCUMENTS

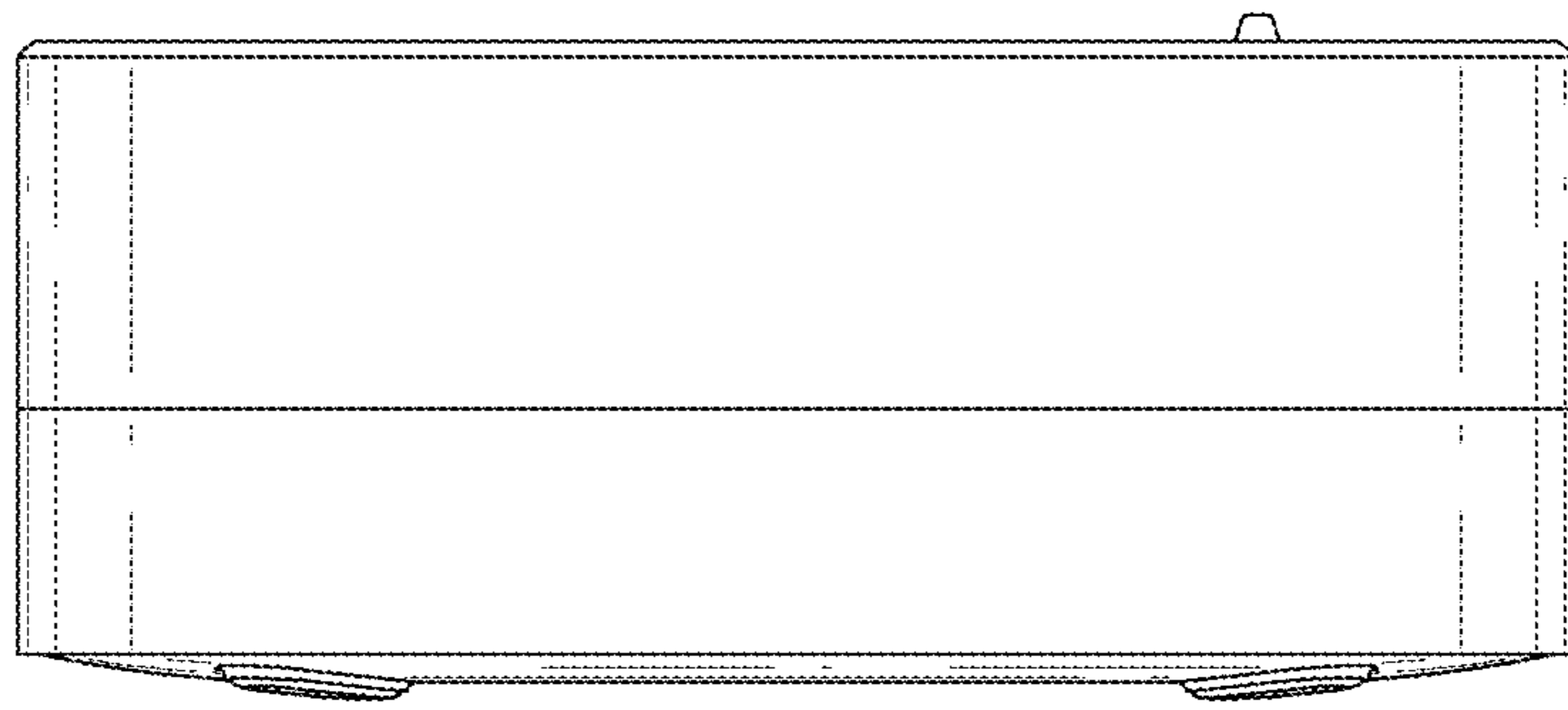
D740,262	S *	10/2015	Hasegawa .....	D14/240
D745,479	S *	12/2015	McManigal .....	D14/125
D745,480	S *	12/2015	Mathews .....	D14/125
D752,529	S *	3/2016	Loretan .....	D14/125
D759,012	S *	6/2016	Golden .....	D10/50
D765,140	S *	8/2016	Peng .....	D14/496
D766,218	S *	9/2016	Yang .....	D14/218
D768,587	S *	10/2016	Xu .....	D14/125
D768,607	S *	10/2016	Altonen .....	D14/240
D777,126	S *	1/2017	Odryna .....	D14/125
D777,695	S *	1/2017	Odryna .....	D14/125
D780,137	S *	2/2017	Tallqvist .....	D14/125
D782,429	S *	3/2017	Xianda .....	D14/125
D782,868	S *	4/2017	Lien .....	D14/125
D783,552	S *	4/2017	Hogan .....	D14/125
D784,939	S *	4/2017	Luo .....	D14/125
D785,579	S *	5/2017	McMiller .....	D14/125
D794,019	S *	8/2017	Kusano .....	D14/358
D795,253	S *	8/2017	Kawano .....	D14/348
D797,095	S *	9/2017	Delpier .....	D14/314
D798,430	S *	9/2017	Nord .....	D23/364
D799,588	S *	10/2017	Nanno .....	D18/19
D800,081	S *	10/2017	Koo .....	D14/125
2006/0146491	A1 *	7/2006	Chen .....	G06F 3/023 361/679.08
2015/0169075	A1 *	6/2015	Peixoto .....	G06F 3/017 345/173

\* cited by examiner

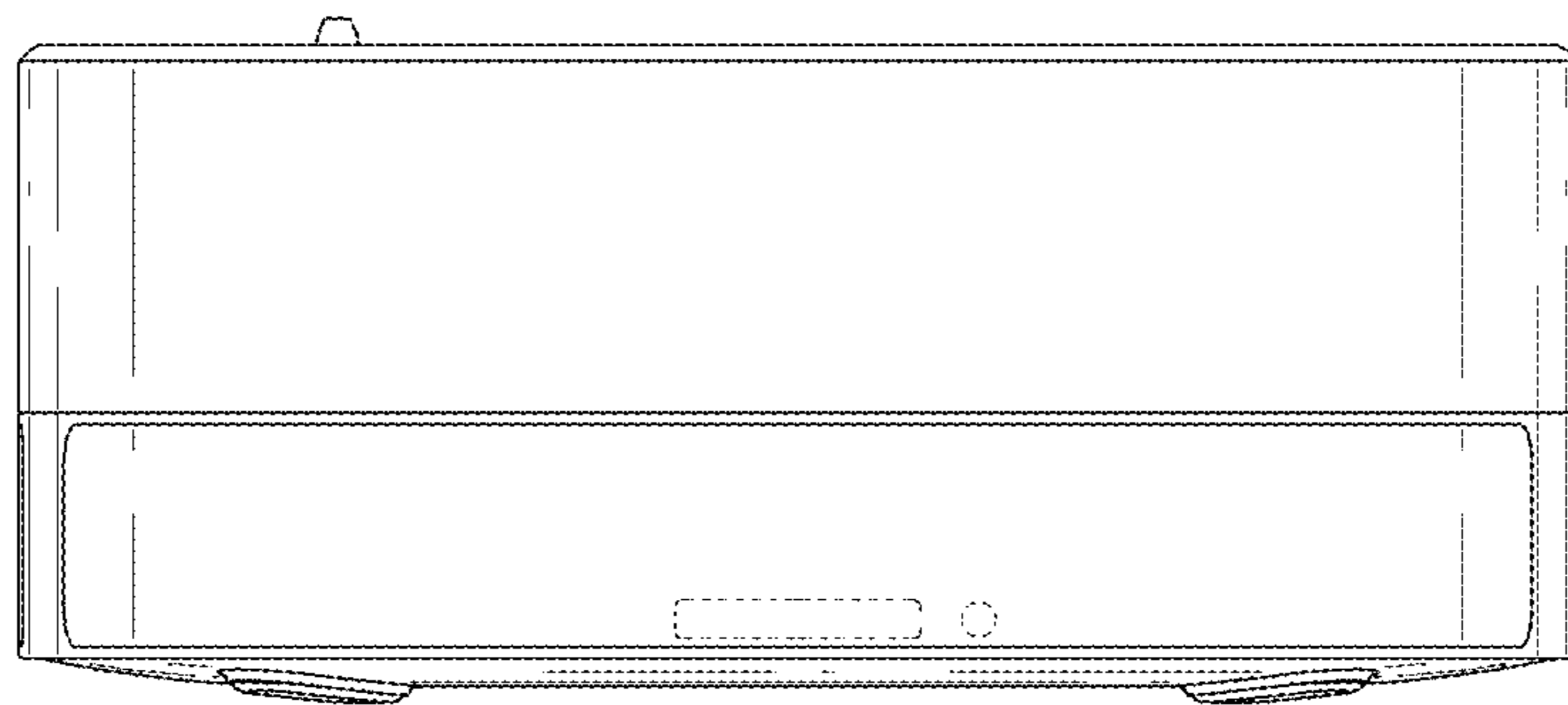
1.1



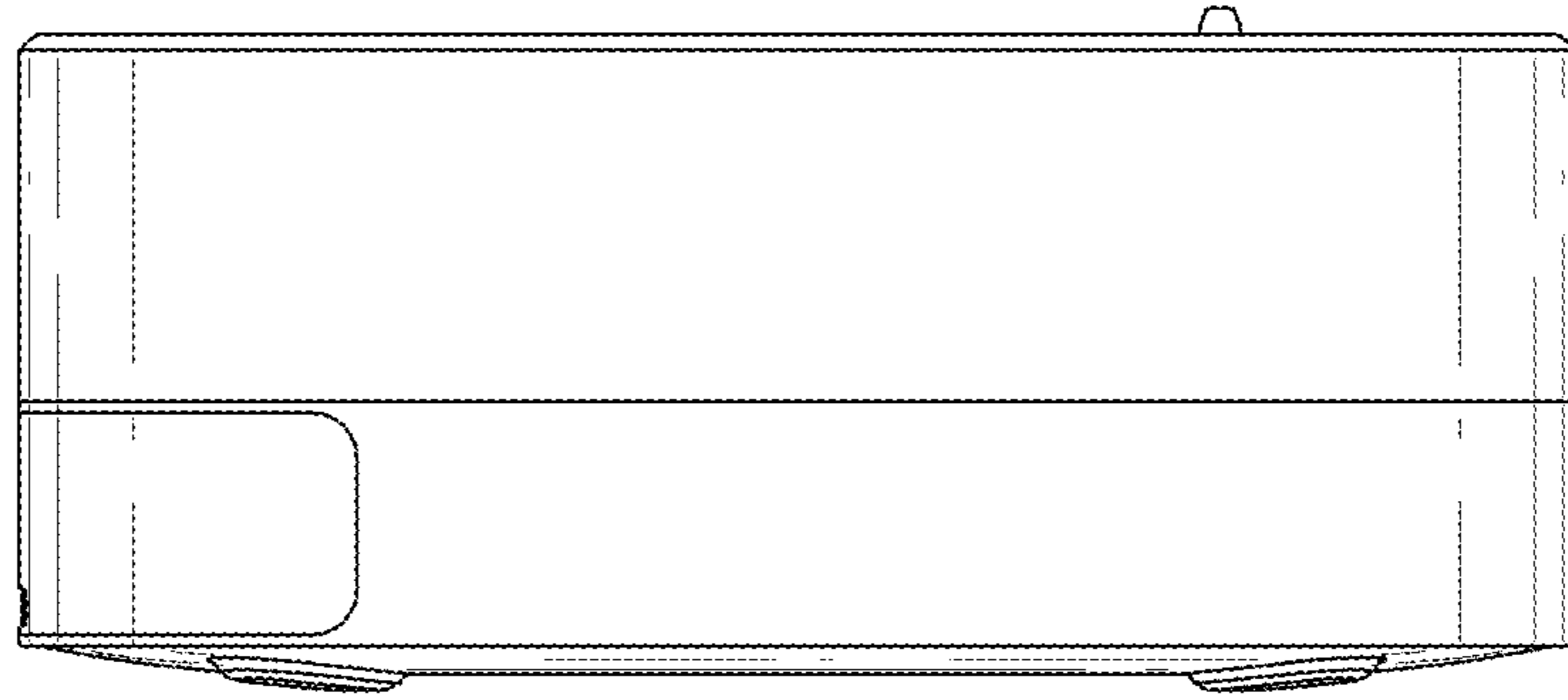
1.2



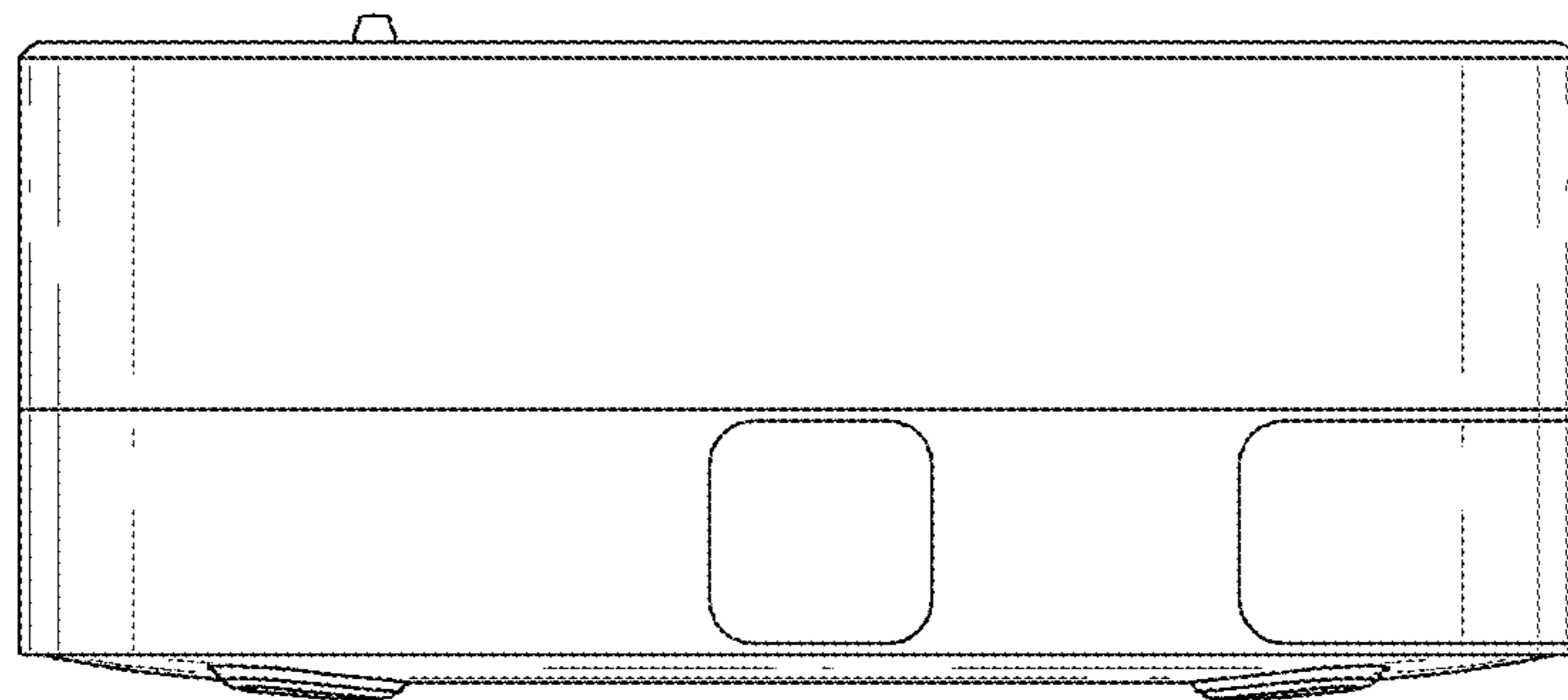
1.3



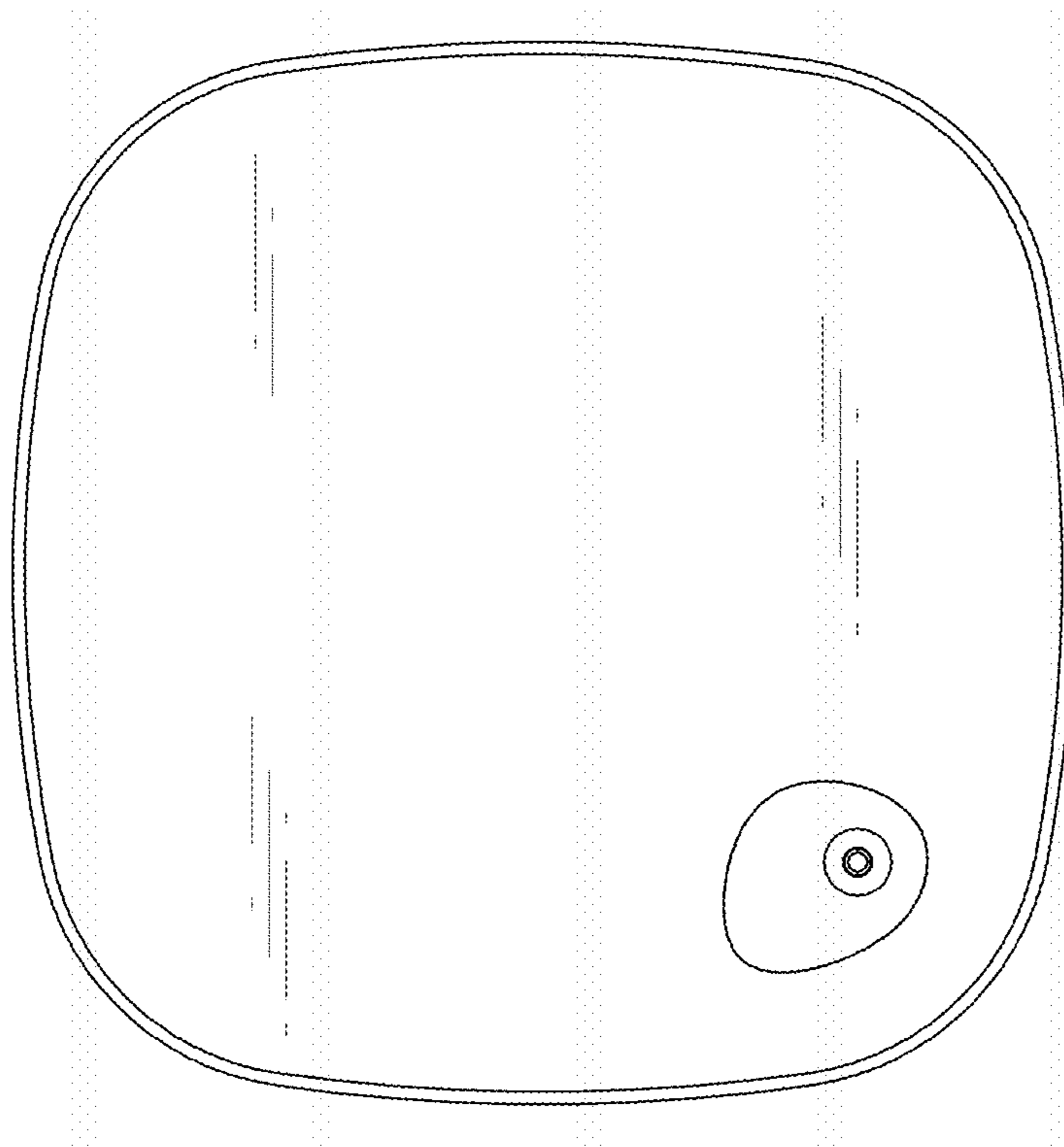
1.4



1.5



1.6



1.7

