



US00D824348S

(12) **United States Design Patent** (10) **Patent No.:** **US D824,348 S**  
**Kim et al.** (45) **Date of Patent:** **\*\* Jul. 31, 2018**

(54) **AUDIO VISUAL BOX FOR TV RECEIVER**

(56) **References Cited**

(71) Applicant: **LG ELECTRONICS INC.**, Seoul (KR)

U.S. PATENT DOCUMENTS

(72) Inventors: **Yooseok Kim**, Seoul (KR); **Jongyoun Shin**, Seoul (KR); **Sunha Park**, Seoul (KR); **Younsoo Kim**, Seoul (KR); **Byungmu Huh**, Seoul (KR)

D284,005 S *	5/1986	Isaacs .....	D14/251
D432,101 S *	10/2000	Oba .....	D14/126
D453,022 S *	1/2002	Oba .....	D14/374
D548,229 S *	8/2007	Tanigawa .....	D14/239
D573,133 S *	7/2008	Milks .....	D14/214
D574,376 S *	8/2008	Park .....	D14/257
D580,918 S *	11/2008	Yokota .....	D14/239
D636,745 S *	4/2011	Yokota .....	D14/126
D638,820 S *	5/2011	Hotta .....	D14/214
D642,519 S *	8/2011	Woo .....	D13/108
D646,242 S *	10/2011	Honda .....	D14/126
D648,291 S *	11/2011	Ahmed .....	D14/125
D655,690 S *	3/2012	Yagi .....	D14/214
D661,672 S *	6/2012	Kim .....	D14/126
D666,145 S *	8/2012	Kim .....	D13/108

(73) Assignee: **LG ELECTRONICS INC.**, Seoul (KR)

(\*\*) Term: **15 Years**

(21) Appl. No.: **35/501,848**

(22) Filed: **May 11, 2016**

(80) **Hague Agreement Data**

Int. Filing Date: **May 11, 2016**  
Int. Reg. No.: **DM/091087**  
Int. Reg. Date: **May 11, 2016**  
Int. Reg. Pub. Date: **Nov. 11, 2016**

*Primary Examiner* — Mary Ann Calabrese  
*Assistant Examiner* — Jennifer L Rempfer  
(74) *Attorney, Agent, or Firm* — Birch, Stewart, Kolasch & Birch, LLP

(30) **Foreign Application Priority Data**

Nov. 13, 2015 (KR) ..... 30-2015-0057395

(51) **LOC (11) Cl.** ..... **14-03**

(52) **U.S. Cl.**  
USPC ..... **D14/125**

(58) **Field of Classification Search**  
USPC ..... D14/125–134, 239, 371, 136, 374–377, D14/440, 450, 448, 336, 342, 159; D6/477, 479, 300; D20/10, 19, 39; D16/203, 241; D10/15, 26; D21/329, D21/515, 577, 622, 333, 433, 448, 452, D21/450, 331, 505  
CPC .... G06F 1/1601; G06F 1/1643; G06F 1/1652; G06F 1/1647; G06F 3/0412; H05K 5/0004; H05K 5/0017; H05K 5/02; H05K 5/0217; H04N 13/0459

See application file for complete search history.

(Continued)

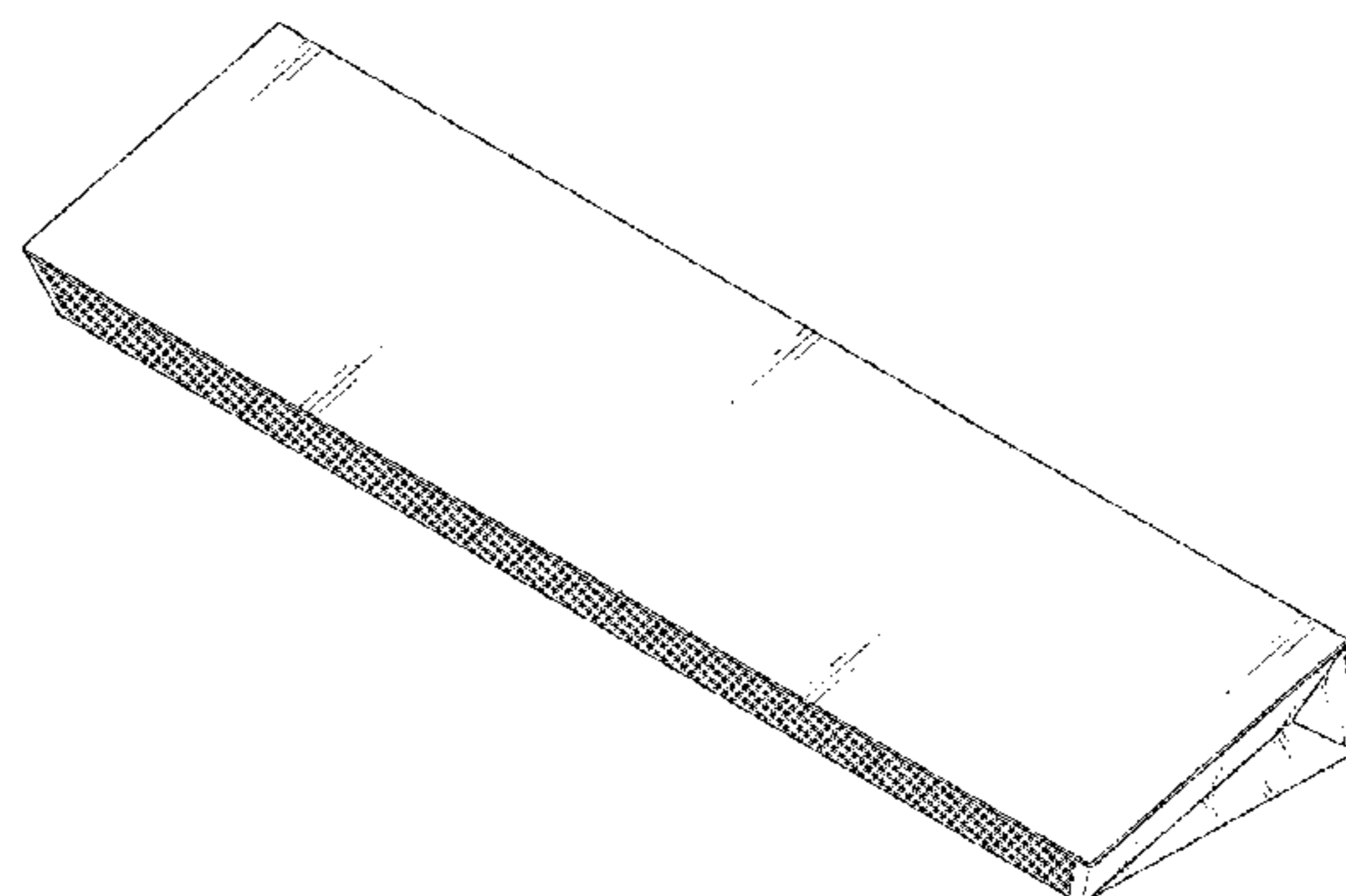
(57) **CLAIM**

The ornamental design for audio visual box for TV receiver, as shown and described.

**DESCRIPTION**

1. Audio visual box for TV receiver  
**1.1** : Perspective  
**1.2** : Front  
**1.3** : Back  
**1.4** : Left  
**1.5** : Right  
**1.6** : Top  
**1.7** : Bottom  
The broken lines represent features of the audio visual box for TV receiver that form no part of the claimed design.

**1 Claim, 3 Drawing Sheets**



(56)

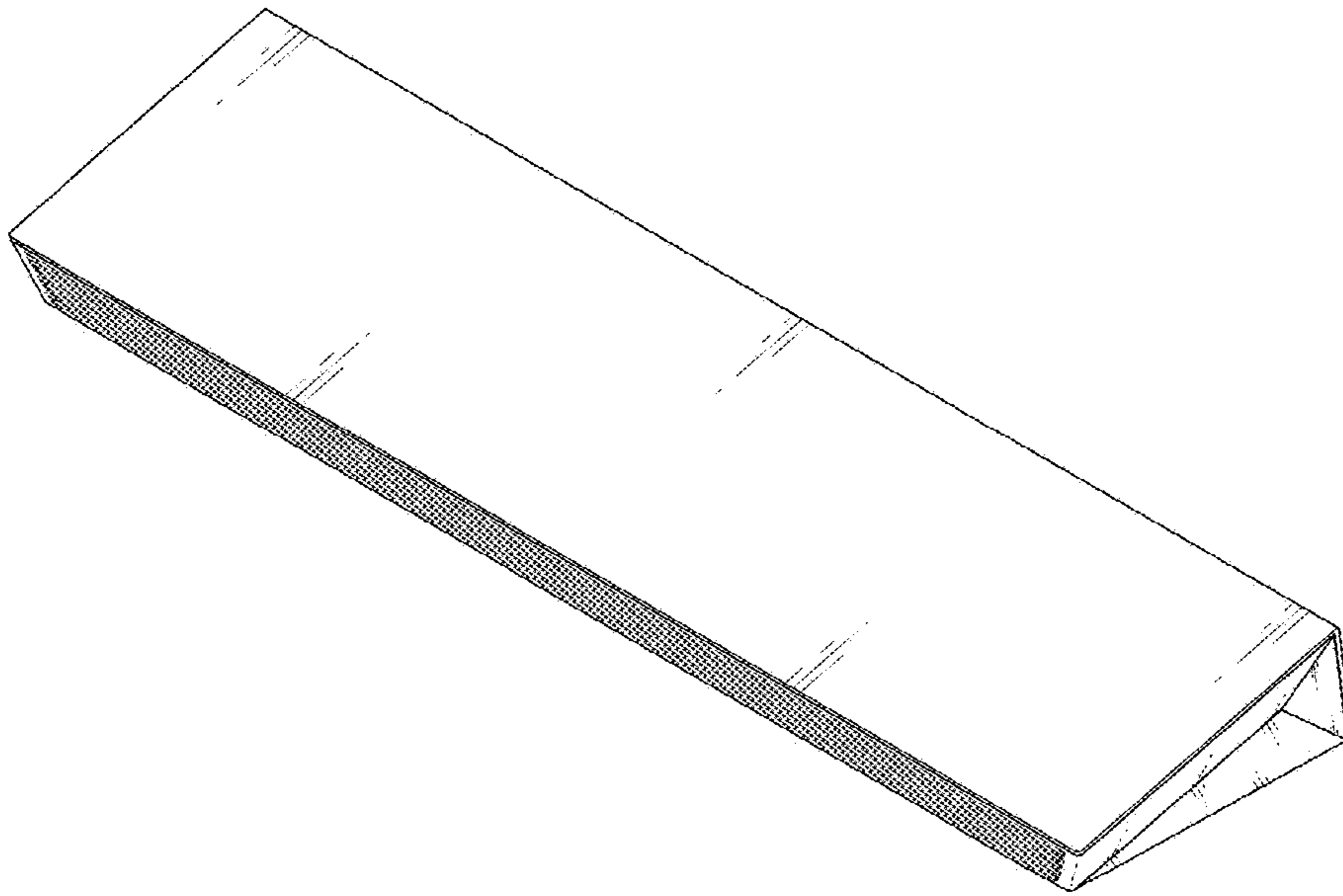
**References Cited**

U.S. PATENT DOCUMENTS

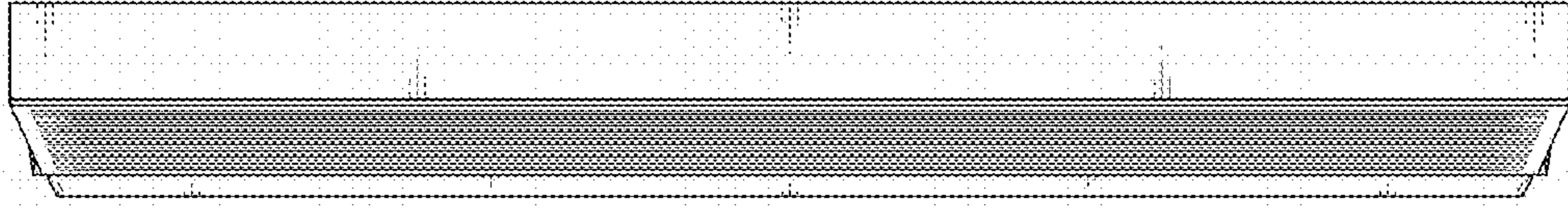
D672,749	S	*	12/2012	Onoue	.....	D14/214
D682,285	S	*	5/2013	Skinner	.....	D14/451
D683,709	S	*	6/2013	Choi	.....	D14/126
D688,231	S	*	8/2013	Nishii	.....	D14/214
D715,769	S	*	10/2014	McManigal	.....	D14/214
D718,738	S	*	12/2014	Michael	.....	D14/214
D719,142	S	*	12/2014	Lee	.....	D14/239
D728,537	S	*	5/2015	Choi	.....	D14/239
D739,390	S	*	9/2015	Lee	.....	D14/239
D741,825	S	*	10/2015	James	.....	D14/125
D742,365	S	*	11/2015	Kim	.....	D14/239
D760,685	S	*	7/2016	Sugiura	.....	D14/204
D762,598	S	*	8/2016	Ishii	.....	D14/125
D763,238	S	*	8/2016	Kim	.....	D14/126
D768,603	S	*	10/2016	Kim	.....	D14/214
D780,705	S	*	3/2017	Waterfall	.....	D14/125

\* cited by examiner

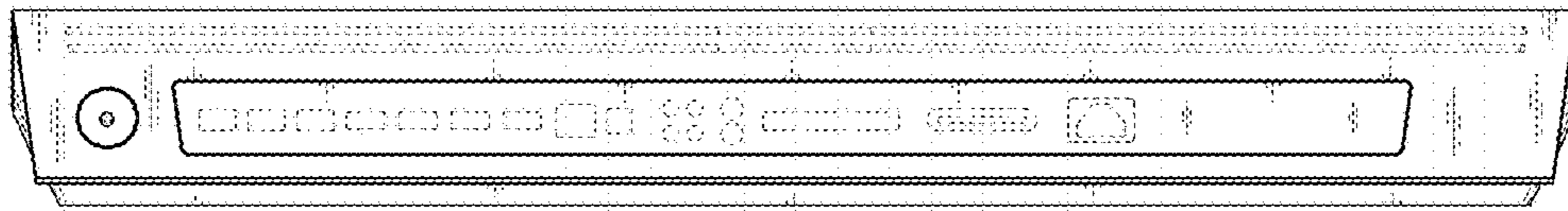
1.1



1.2



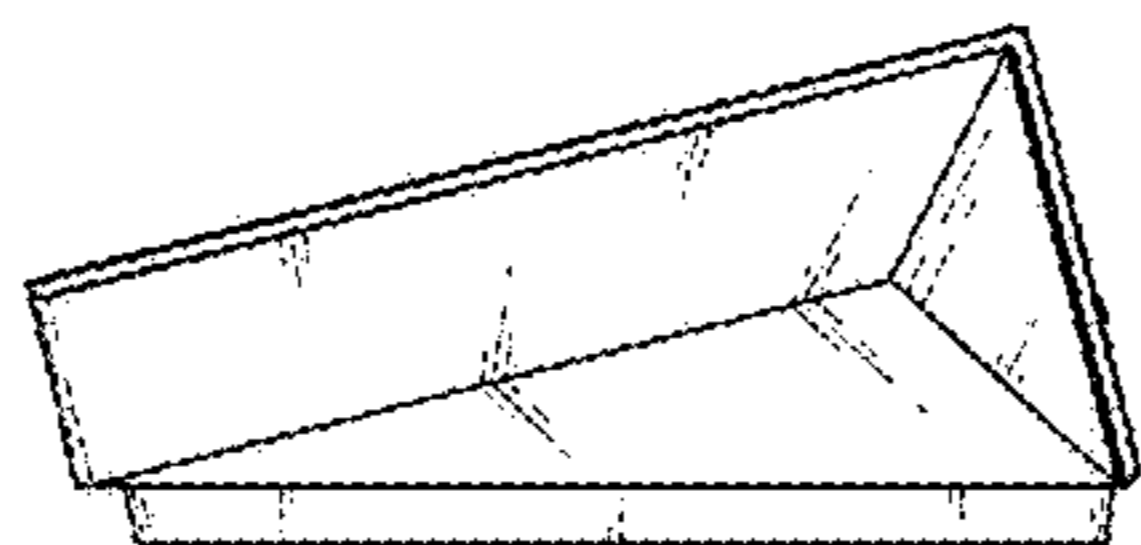
1.3



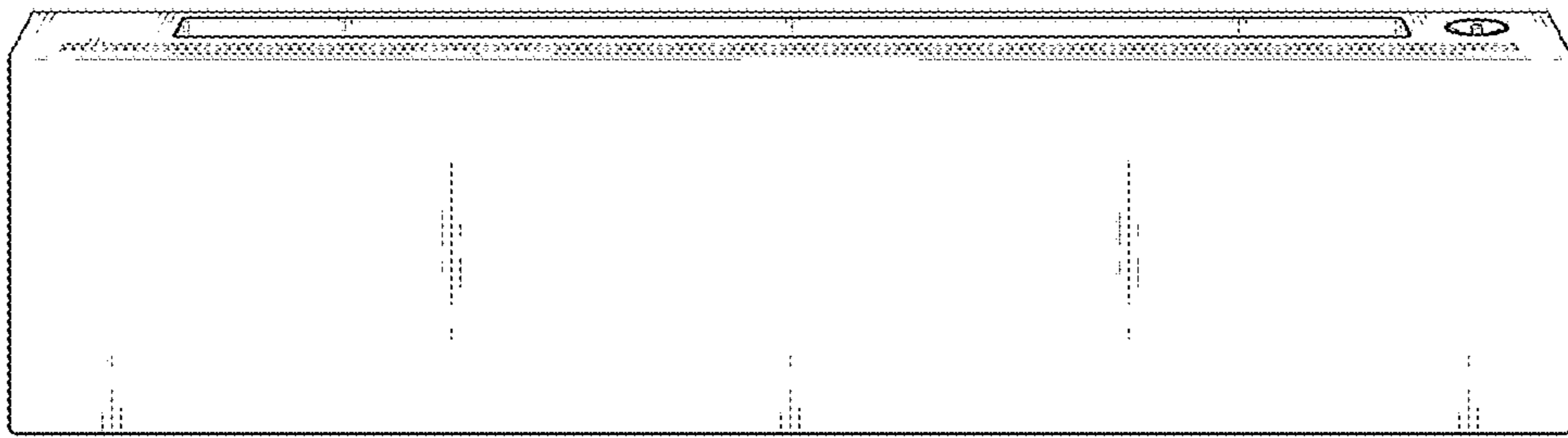
1.4



1.5



1.6



1.7

