



US00D824341S

(12) **United States Design Patent**  
**Garver**

(10) **Patent No.:** **US D824,341 S**

(45) **Date of Patent:** **\*\* Jul. 31, 2018**

- (54) **CABLE CONNECTOR**
- (71) Applicant: **GENERAL ELECTRIC COMPANY**,  
Schenectady, NY (US)
- (72) Inventor: **Allen Garver**, Edinboro, PA (US)
- (73) Assignee: **General Electric Company**,  
Schenectady, NY (US)
- (\*\*) Term: **15 Years**
- (21) Appl. No.: **29/572,073**
- (22) Filed: **Jul. 25, 2016**
- (51) **LOC (11) Cl.** ..... **13-03**
- (52) **U.S. Cl.**  
USPC ..... **D13/153**
- (58) **Field of Classification Search**  
USPC ..... D14/432, 433, 435.1, 196, 496, 199;  
D13/103, 108, 109, 110, 133,  
D13/137.1-137.4, 138.1-138.2,  
D13/139.1-139.8, 146, 147, 151,  
D13/152-156, 173, 177, 162, 158, 184,  
D13/107, 139.4; D8/350, 353-356, 358,  
D8/402, 403; D25/108, 122, 124;  
D23/259, 262  
CPC .... H01R 25/00; H01R 25/006; H01R 25/003;  
H01R 13/5845; H01R 13/72; H01R  
13/46; H01R 31/06; H01R 24/28; H01R  
11/00; H01R 9/00; H01B 7/2806; H02J  
2007/0062  
See application file for complete search history.

(56) **References Cited**

**U.S. PATENT DOCUMENTS**

- 2,505,303 A \* 4/1950 Randa ..... F16L 41/023  
285/131.1
- 3,452,576 A \* 7/1969 Wilson ..... B21C 37/29  
72/318

- D249,276 S \* 9/1978 Levin ..... D23/263
- D320,065 S \* 9/1991 Chou ..... D23/262
- 6,202,460 B1 \* 3/2001 Gardon ..... B21C 37/294  
72/58
- D445,182 S \* 7/2001 Haynes ..... D24/129
- D456,493 S \* 4/2002 Paterson ..... D23/213
- D462,751 S \* 9/2002 Streetman ..... D23/234
- D483,095 S \* 12/2003 Snyder, Sr. .... D23/262
- D483,441 S \* 12/2003 Dole ..... D23/262
- D573,095 S \* 7/2008 Poupore ..... D13/133
- D575,378 S \* 8/2008 Hedlund ..... D23/262
- D599,446 S \* 9/2009 Price ..... D23/262
- D627,733 S \* 11/2010 Stutz ..... D13/147
- D648,835 S \* 11/2011 Ruot ..... D23/259
- D702,636 S \* 4/2014 Benedict ..... D13/110
- D746,956 S \* 1/2016 Castrigno ..... D23/262
- D750,759 S \* 3/2016 Koelper ..... D23/259
- D755,355 S \* 5/2016 Knight ..... D23/262
- D770,599 S \* 11/2016 Daughters ..... D23/259

(Continued)

*Primary Examiner* — Rosemary K Tarcza  
*Assistant Examiner* — Christy M Nemeth  
 (74) *Attorney, Agent, or Firm* — GE Global Patent  
 Operation; John A. Kramer

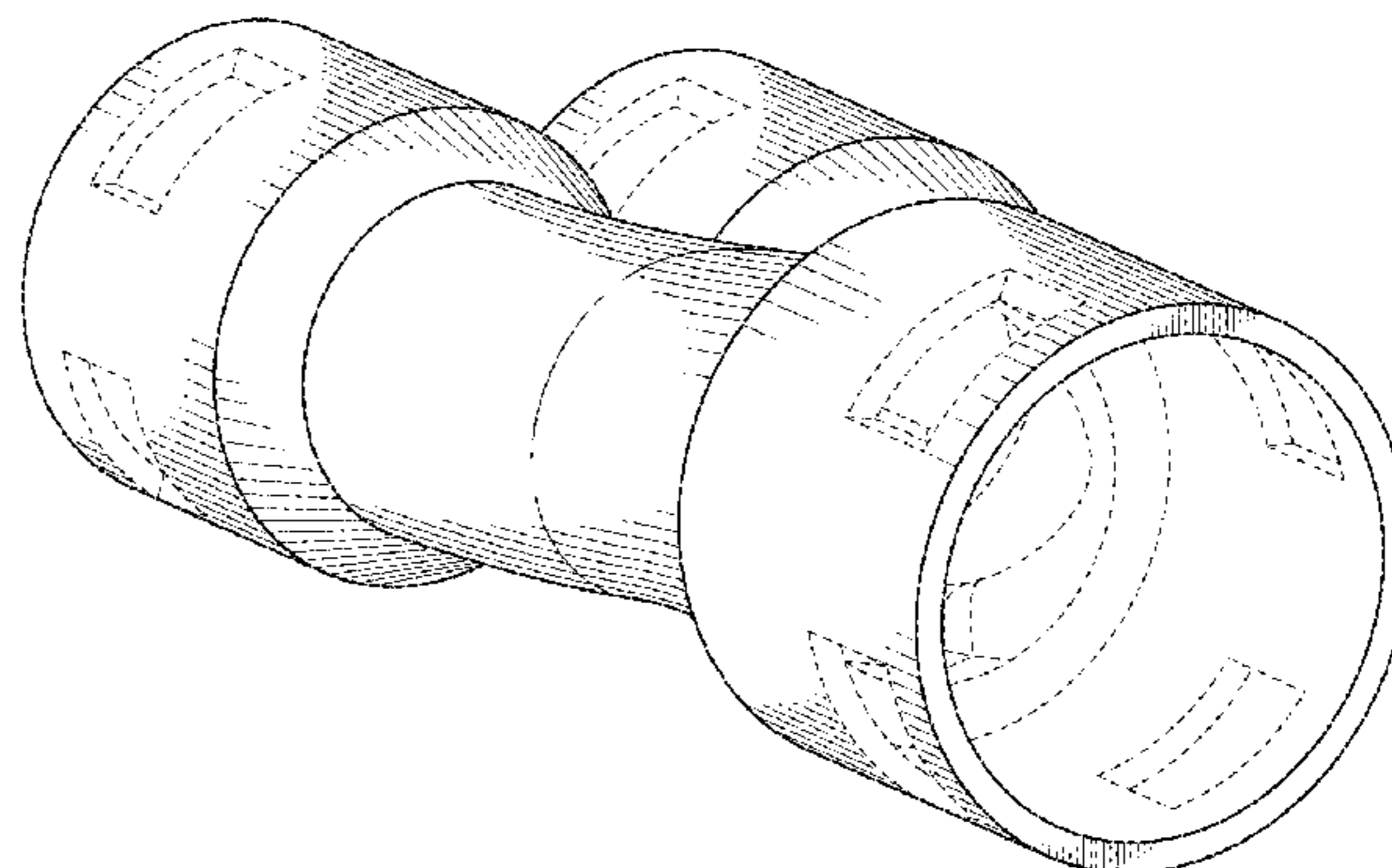
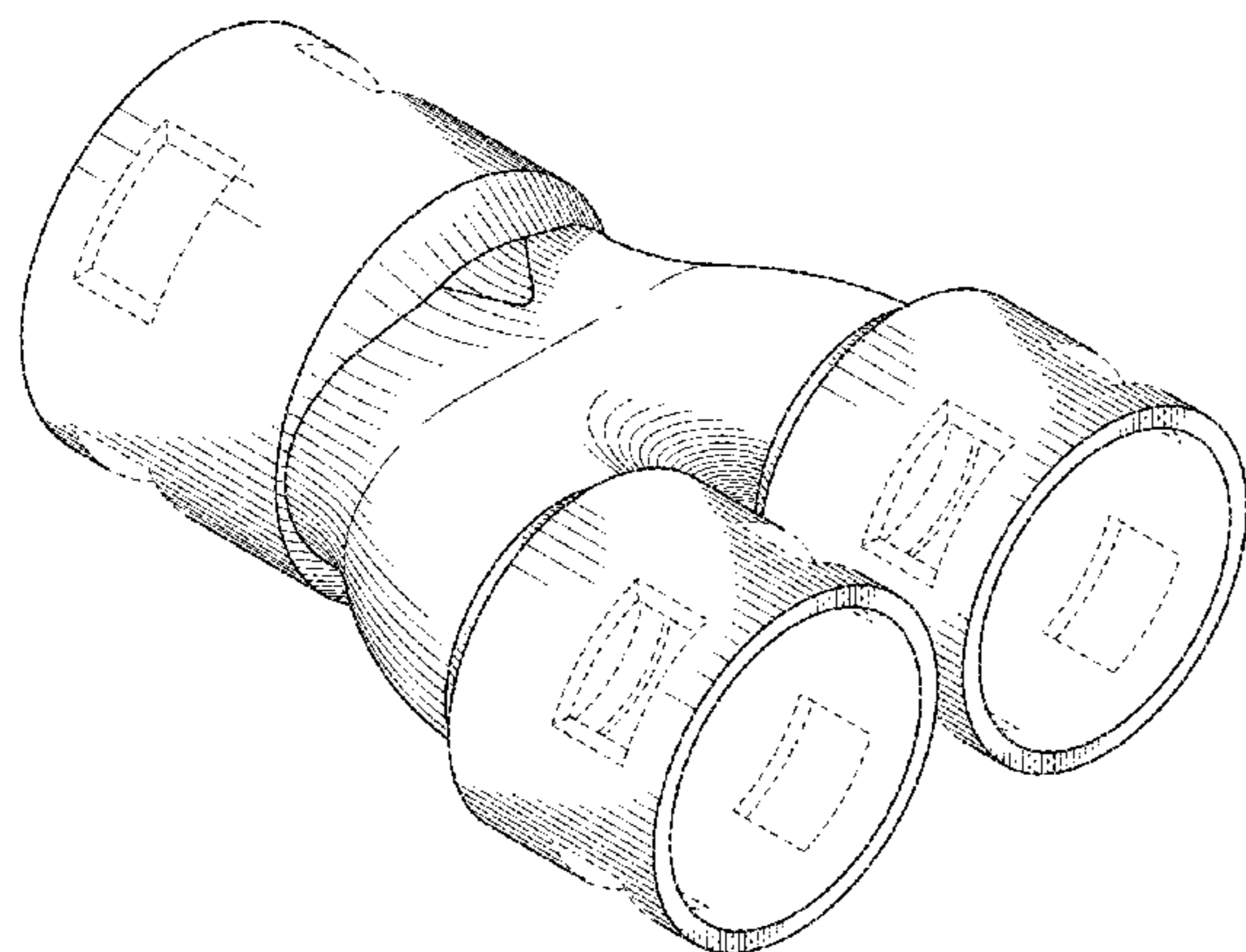
(57) **CLAIM**

The ornamental design for a cable connector, as shown and described.

**DESCRIPTION**

FIG. 1 is a front perspective view of a cable connector depicting my new design;  
 FIG. 2 is a rear perspective view thereof;  
 FIG. 3 is a top view thereof;  
 FIG. 4 is a rear view thereof;  
 FIG. 5 is a front view thereof;  
 FIG. 6 is a left side view thereof; and,  
 FIG. 7 is a right side view thereof.  
 The broken lines in the drawings are for the purpose of illustrating portions of the cable connector that form no part of the claimed design.

**1 Claim, 4 Drawing Sheets**



(56)

**References Cited**

U.S. PATENT DOCUMENTS

D779,427 S \* 2/2017 Juds ..... D13/110  
D789,496 S \* 6/2017 Kuhlman ..... D23/259

\* cited by examiner

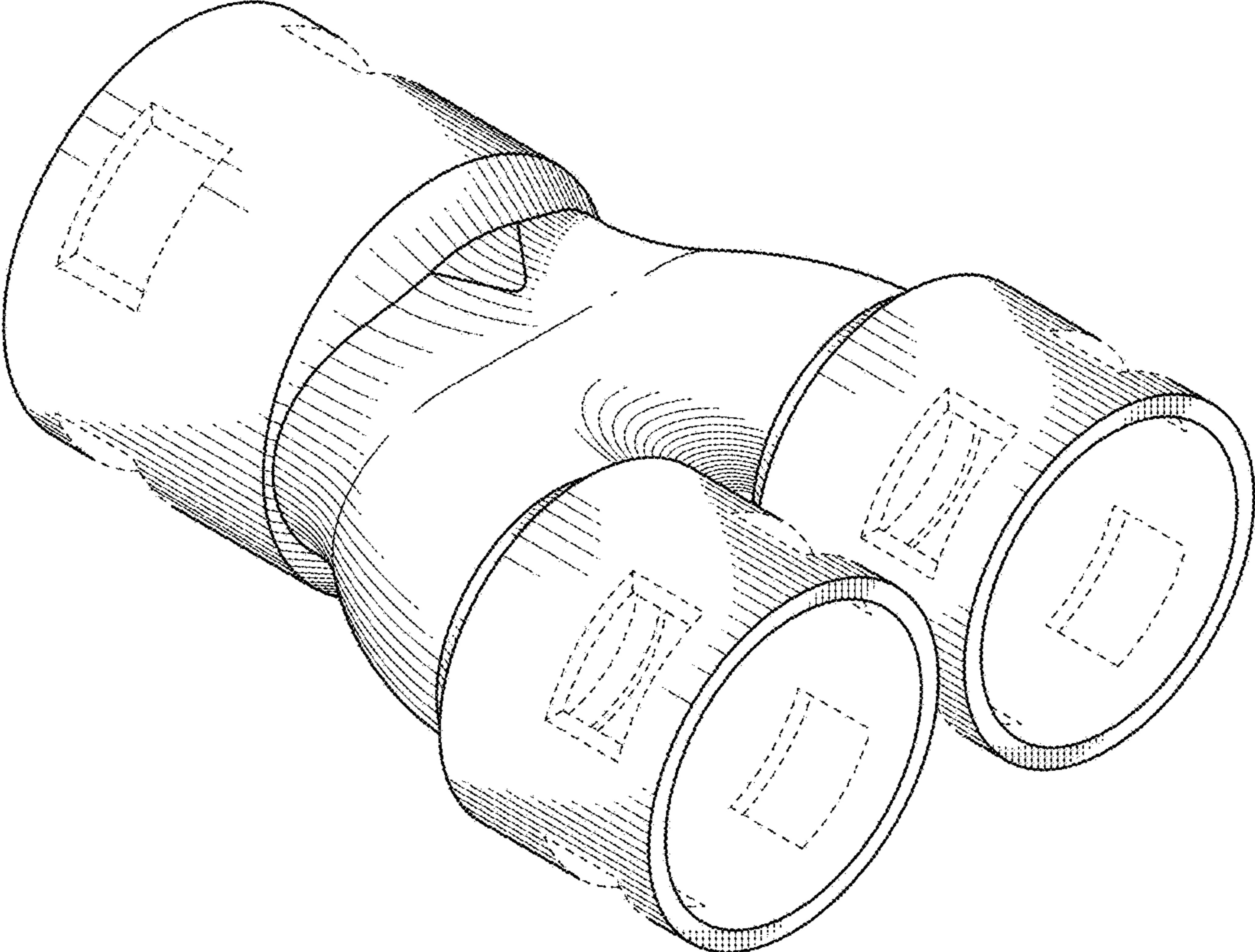


FIG. 1

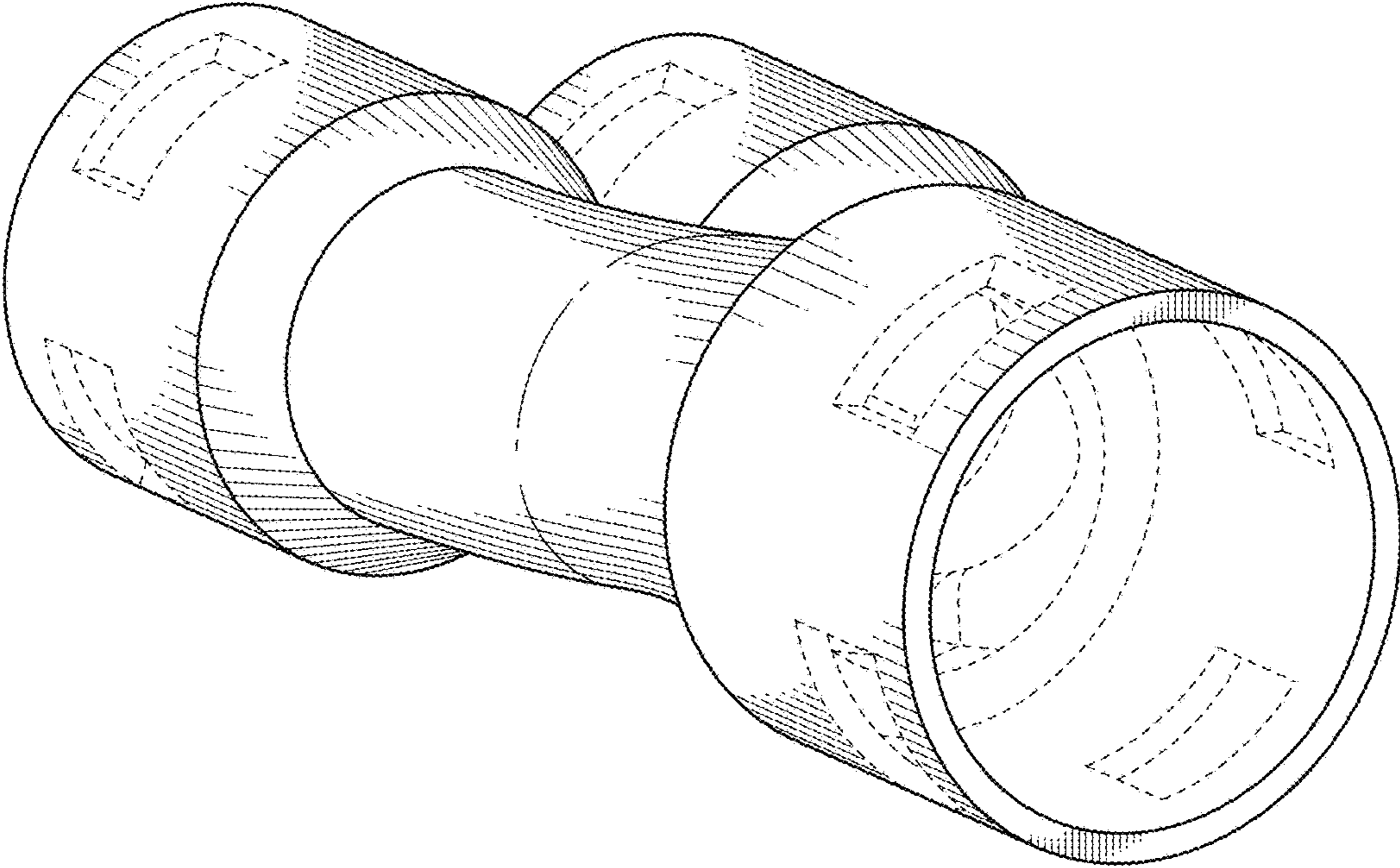


FIG. 2

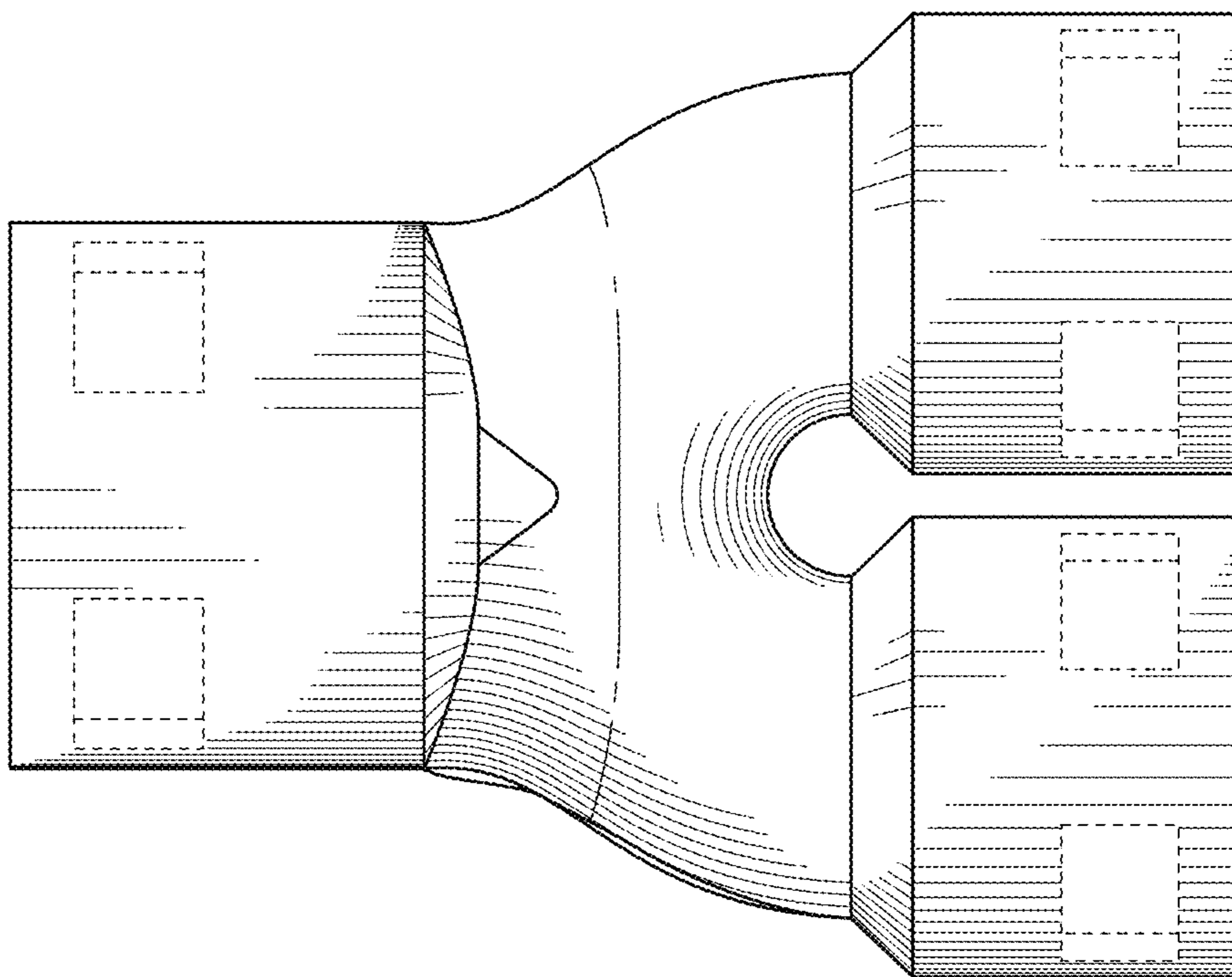


FIG. 3

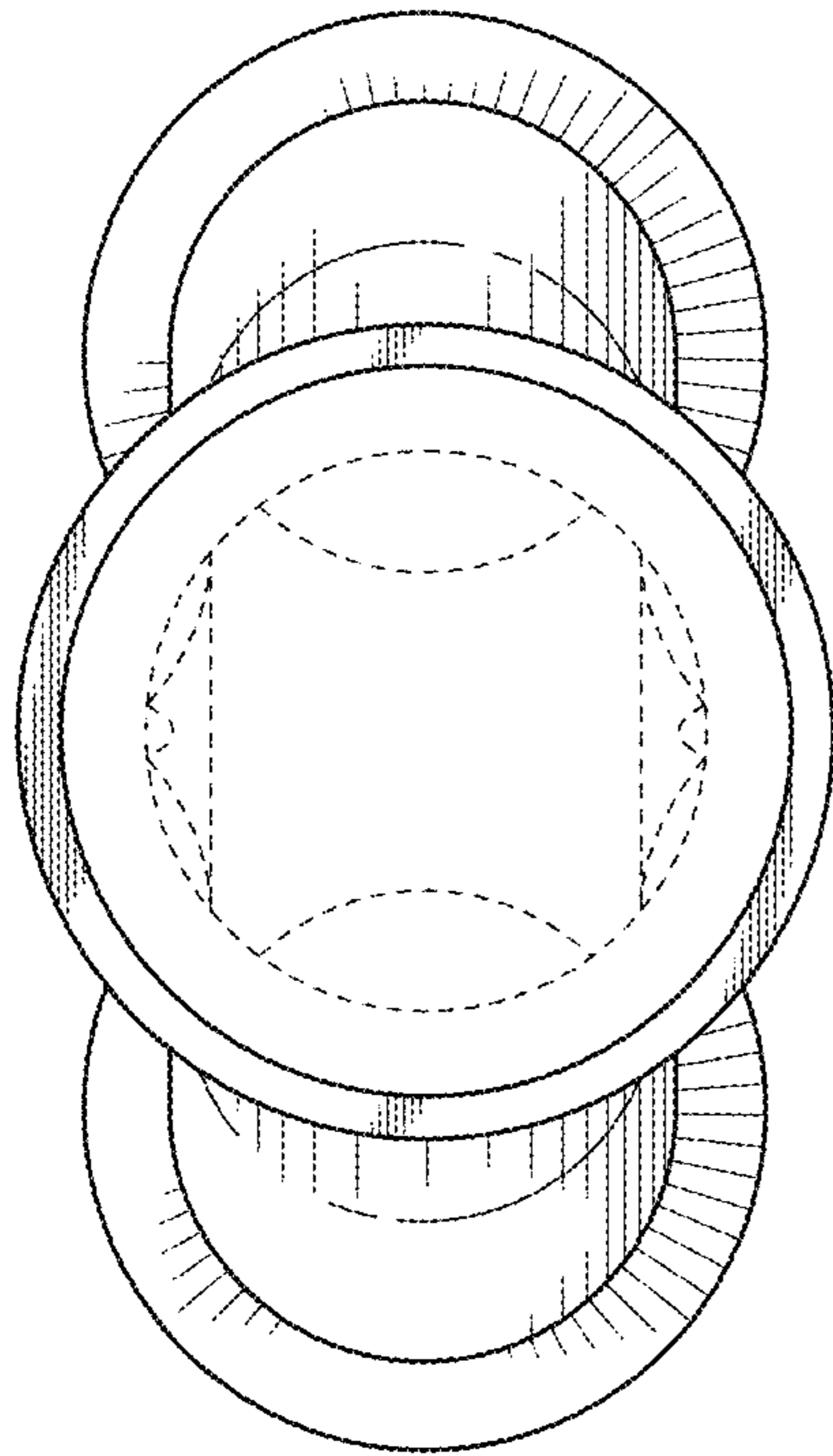


FIG. 4

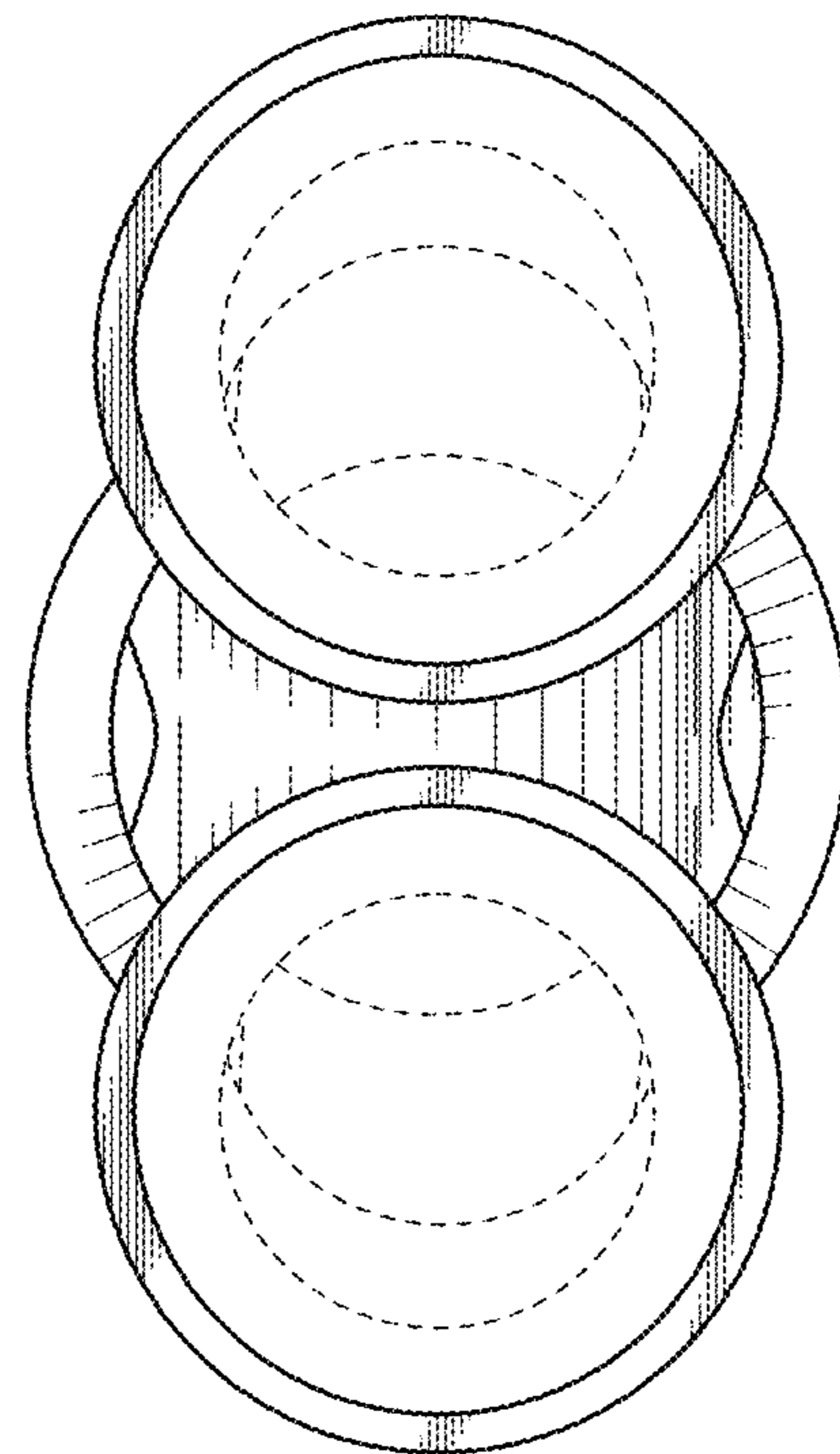


FIG. 5

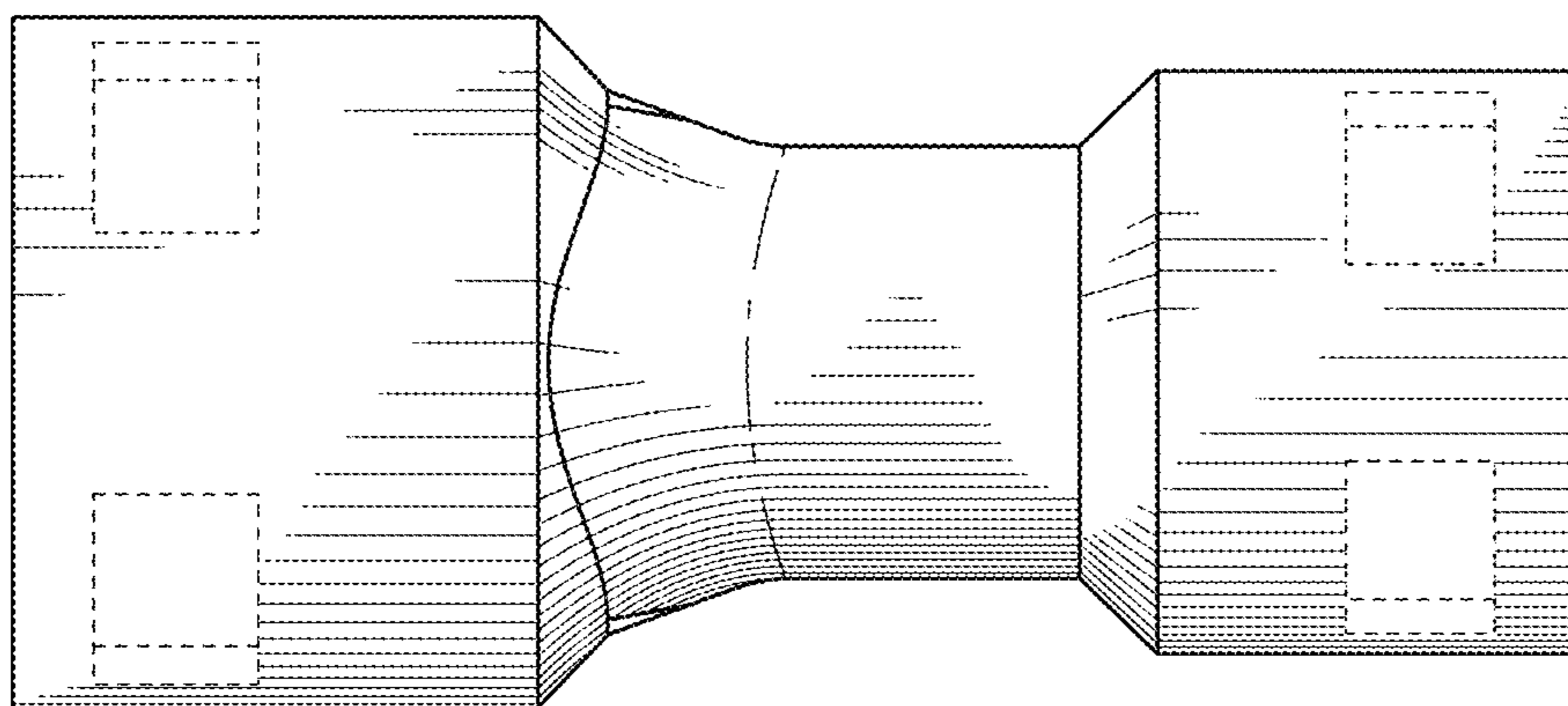


FIG. 6

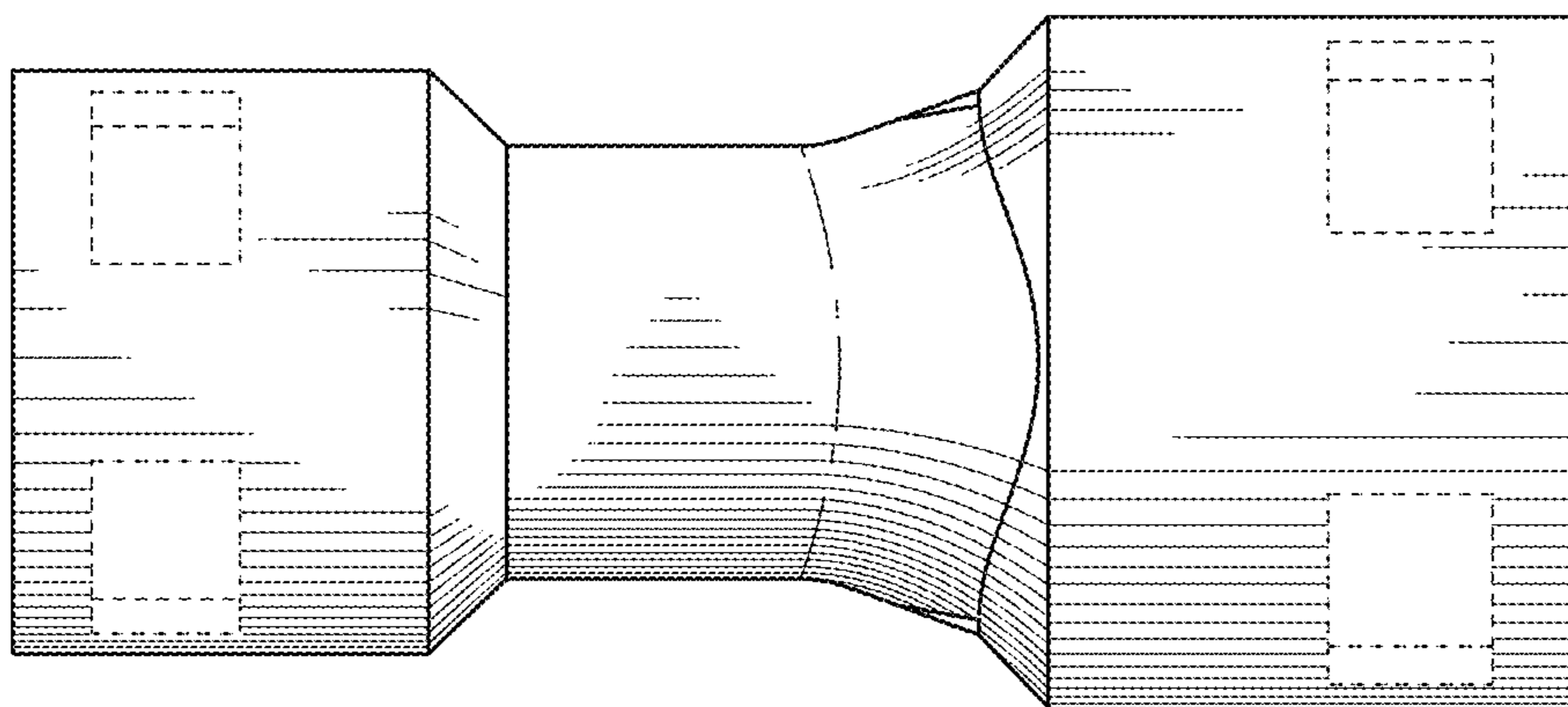


FIG. 7