



US00D824340S

(12) **United States Design Patent** (10) **Patent No.:** **US D824,340 S**
Wilcox et al. (45) **Date of Patent:** **** Jul. 31, 2018**

(54) **FIBER OPTIC FANOUT KIT**

(71) Applicant: **Corning Optical Communications LLC**, Hickory, NC (US)

(72) Inventors: **Dayne Wilcox**, Menlo Park, CA (US); **Lea Kobeli**, San Francisco, CA (US); **Marie Noury**, Croix (FR); **Marcelle Van Beusekom**, San Francisco, CA (US)

(73) Assignee: **Corning Optical Communications LLC**, Hickory, NC (US)

(**) Term: **15 Years**

(21) Appl. No.: **29/551,714**

(22) Filed: **Jan. 15, 2016**

(51) **LOC (11) Cl.** **13-03**

(52) **U.S. Cl.**
USPC **D13/153**

(58) **Field of Classification Search**
USPC D13/108, 110, 123, 133, 137.1–137.4, D13/138.1–138.2, 139.1–139.8, 152–154, D13/156, 158, 177, 199; D8/350–353, D8/331; D25/138, 163, 164, 144, 156
CPC H01R 25/00; H01R 25/006
See application file for complete search history.

(56) **References Cited**

U.S. PATENT DOCUMENTS

5,732,181	A *	3/1998	Engberg	C12Y 302/0109
					385/139
D394,426	S *	5/1998	Akins	D13/133
D486,125	S *	2/2004	Lim	D13/108
D520,947	S *	5/2006	Vinciarelli	D13/110
D760,920	S *	7/2016	Bilge	D25/138
D760,921	S *	7/2016	Bilge	D25/138
2003/0103743	A1 *	6/2003	Sun	G02B 6/368
					385/114

(Continued)

OTHER PUBLICATIONS

Corning, Buffer Tube Fan-Out Kits, Specification Sheet, 2009, 1-4, Corning Cable Systems LLC.

(Continued)

Primary Examiner — Rosemary K Tarcza

Assistant Examiner — Christy Nemeth

(74) *Attorney, Agent, or Firm* — Adam R. Weeks

(57) **CLAIM**

The ornamental design for a fiber optic fanout kit, as shown and described.

DESCRIPTION

FIG. 1 is a front perspective view of a fiber optic fanout kit of our new design;

FIG. 2 is a front view thereof;

FIG. 3 is a rear view thereof;

FIG. 4 is a bottom view thereof;

FIG. 5 is a top view thereof;

FIG. 6 is a right view thereof;

FIG. 7 is a left view thereof;

FIG. 8 is an enlarged partial view of FIG. 4 thereof;

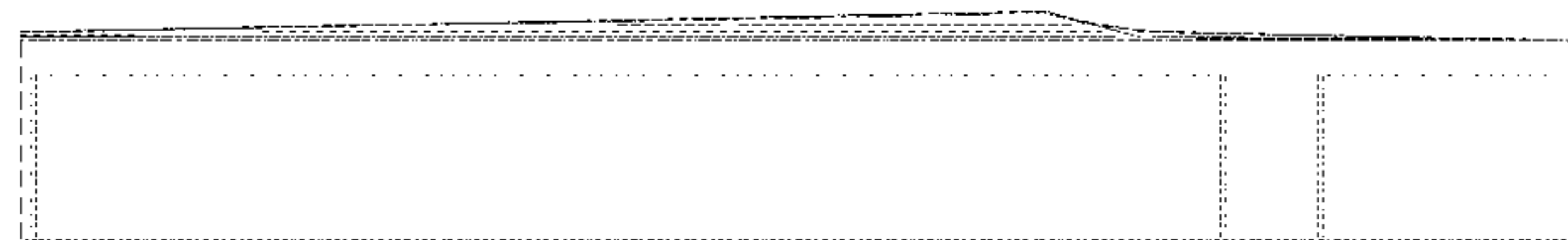
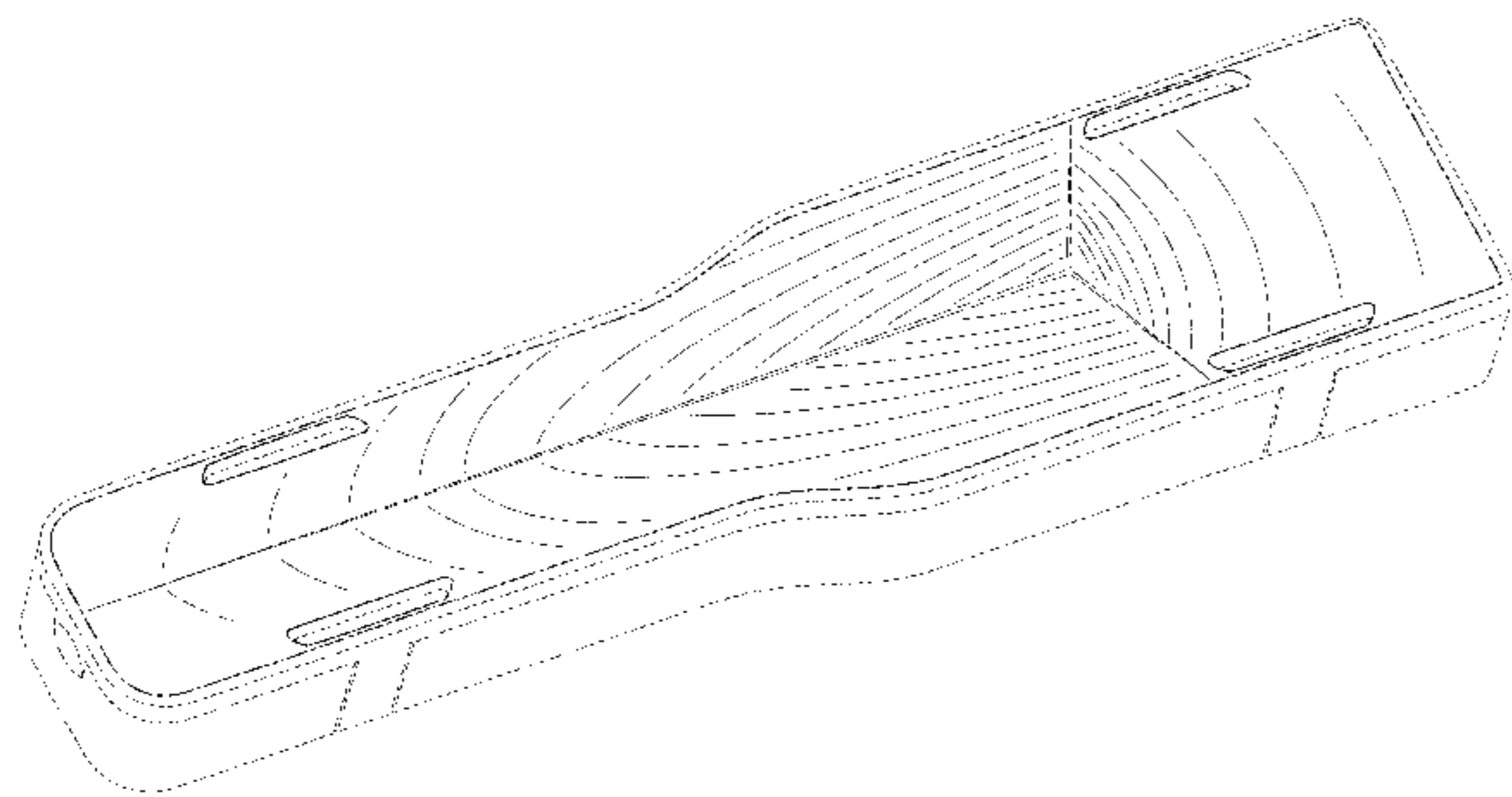
FIG. 9 is an enlarged partial view of FIG. 5 thereof;

FIG. 10 is an enlarged view of FIG. 6 thereof; and,

FIG. 11 is an enlarged view of FIG. 7 thereof.

The dash-dot broken lines in the drawings are included for the purpose of illustrating boundaries and form no part of the claimed design. The small dash-dash broken lines in the drawings are included for the purpose of illustrating environmental subject matter that forms no part of the claimed design. The large dash-dash broken lines in FIGS. 4-7 are included for the purpose of identifying the portions of FIGS. 4-7 shown enlarged in FIGS. 8-11, and form no part of the claimed design. The large dash-dash broken lines in FIGS. 8 and 9 are included for the purpose of identifying the boundaries of the view in FIGS. 8 and 9 and form no part of the claimed design.

1 Claim, 7 Drawing Sheets



(56)

References Cited

U.S. PATENT DOCUMENTS

2010/0092136 A1* 4/2010 Nhep G02B 6/4472
385/76

OTHER PUBLICATIONS

Leviton, "Fiber Optic Fan Out Kits," http://www.leviton.com/OA_HTML/SectionDisplay.jsp?section=39250, accessed Apr. 19, 2016.

Corning, Inc., "Buffer Tube Fan-Out Kits, indoor," http://catalog.corning.com/opcomm/en-US/catalog/MasterProduct.aspx?cid=buffer_tube_fan_out_kits_indoor_web&pid=73688,context=,CCS_Global_Web_Catalog;fiber_optic_connectivity_web;fan_out_kits_web;buffer_tube_fan_out_kits_indoor_web;, accessed Apr. 19, 2016.

* cited by examiner

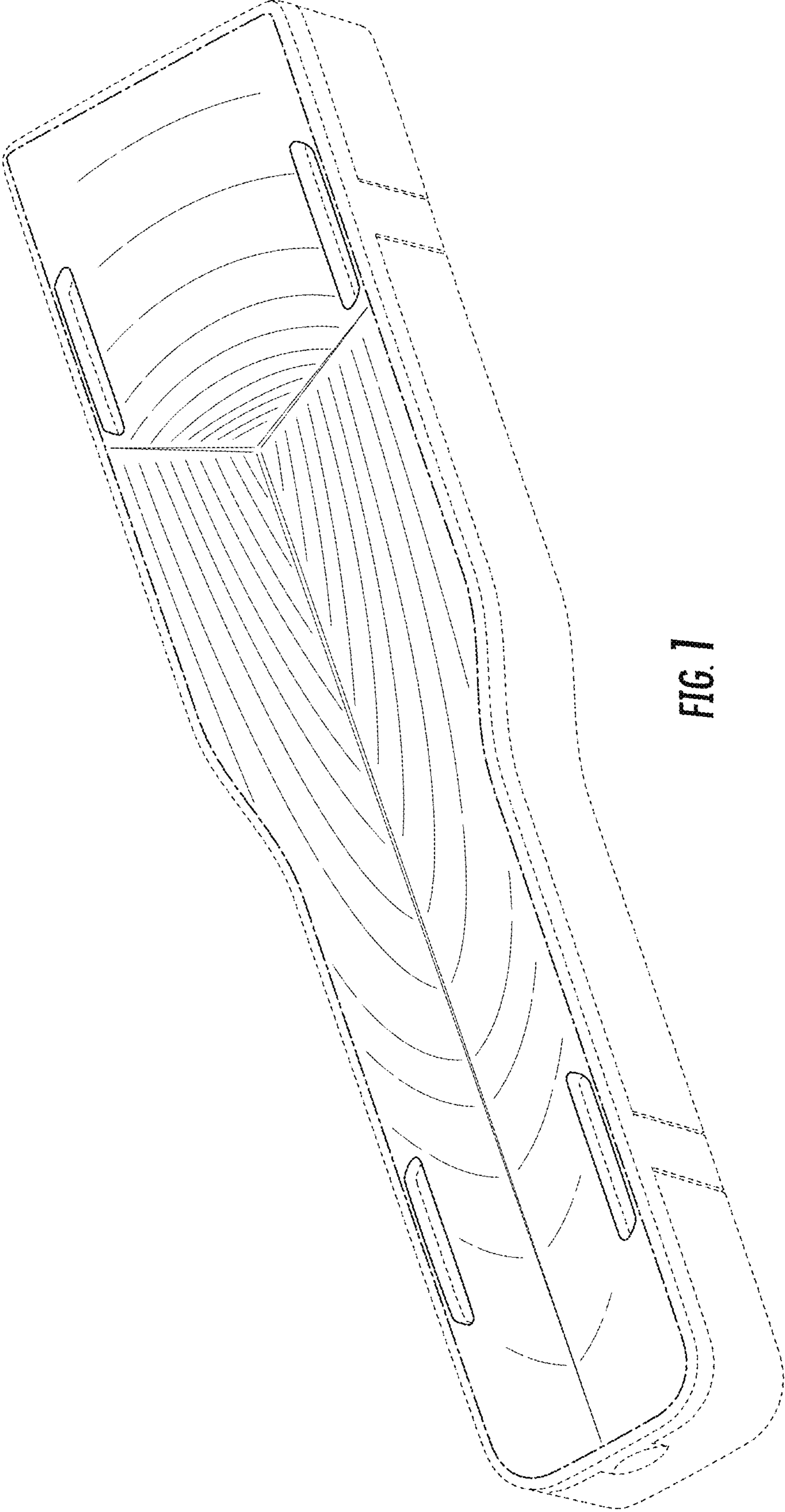


FIG. 1

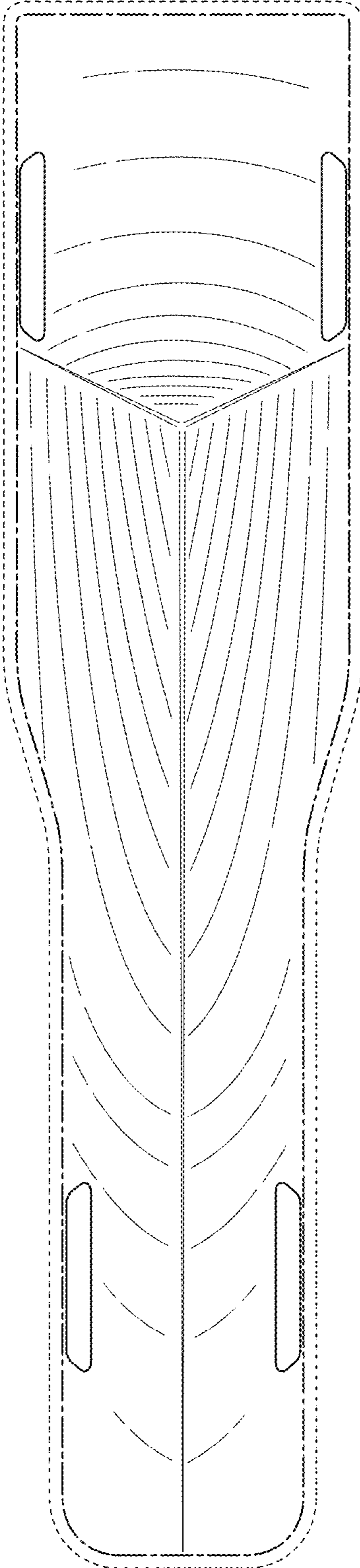


FIG. 2

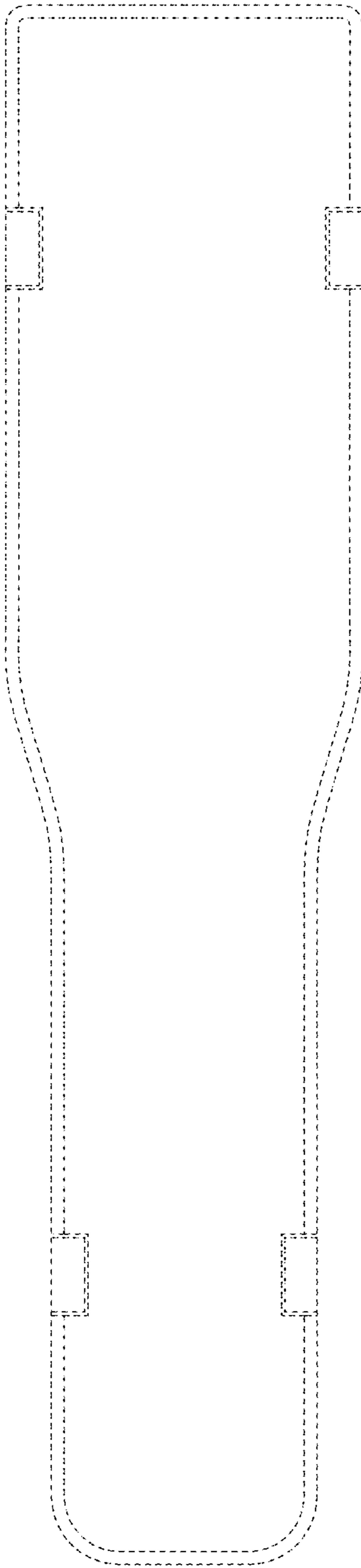


FIG. 3

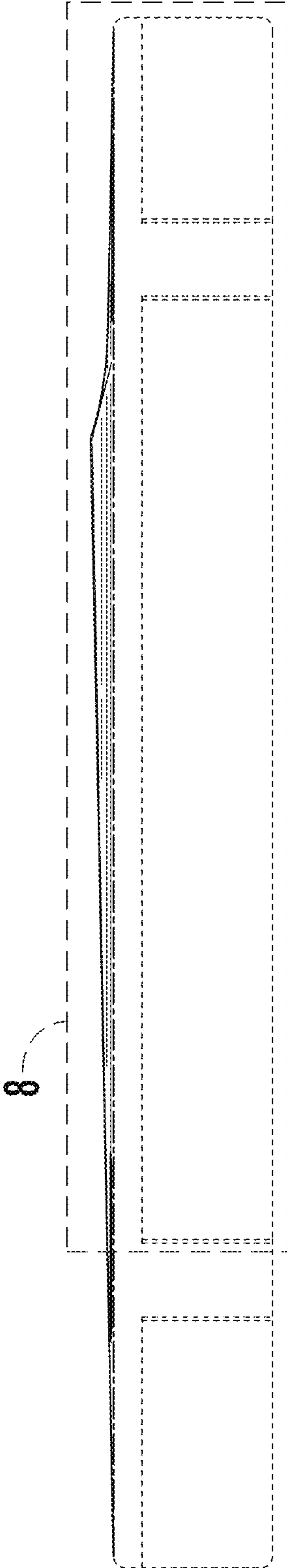


FIG. 4

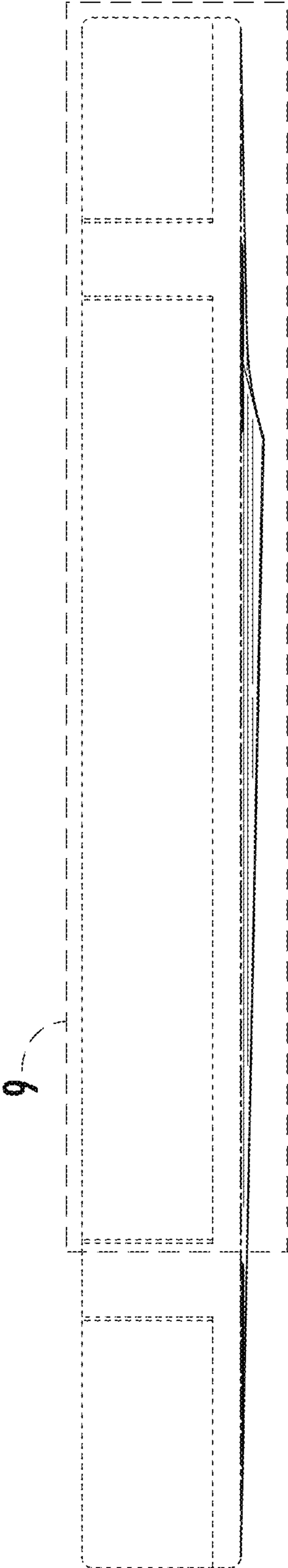


FIG. 5

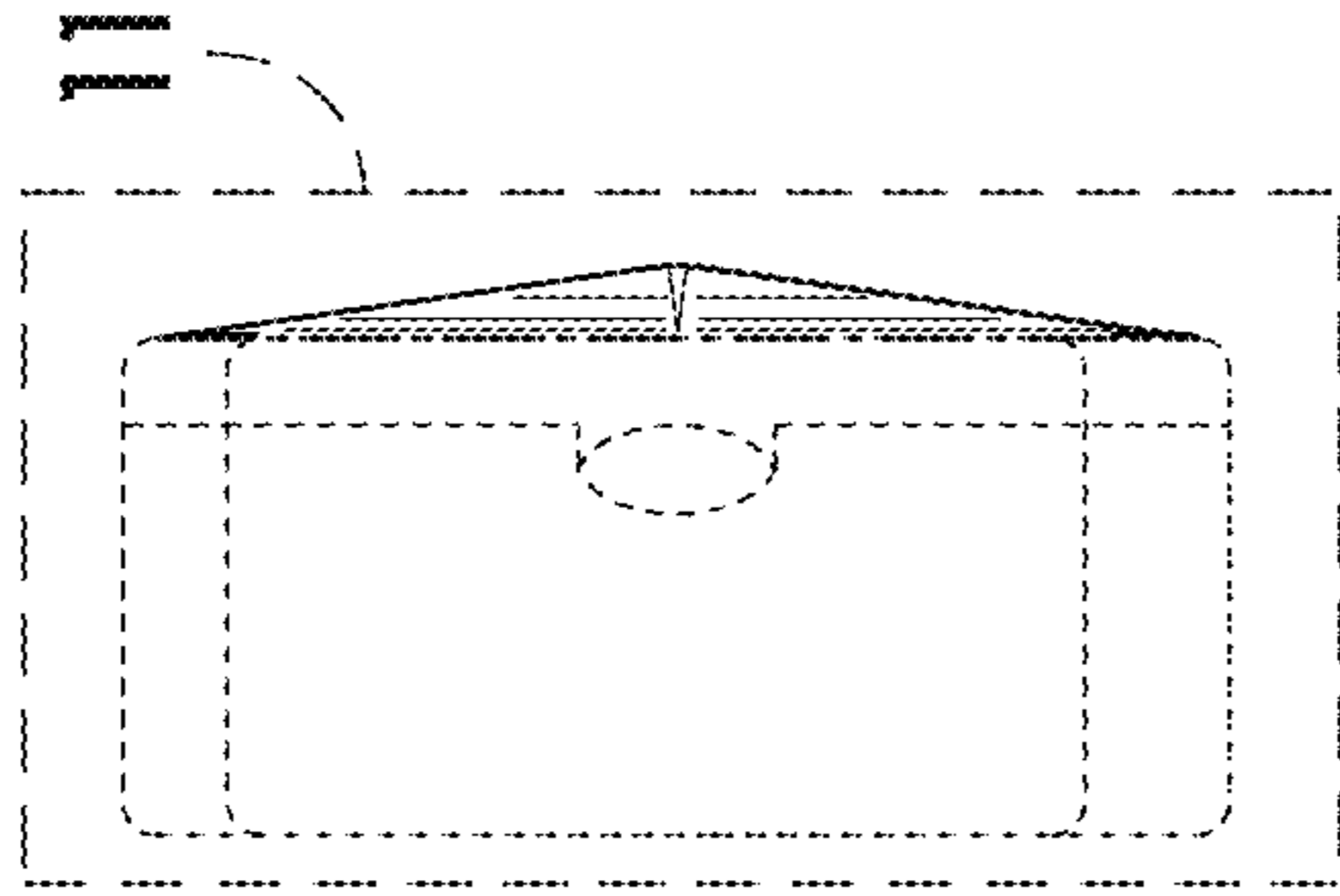


FIG. 6

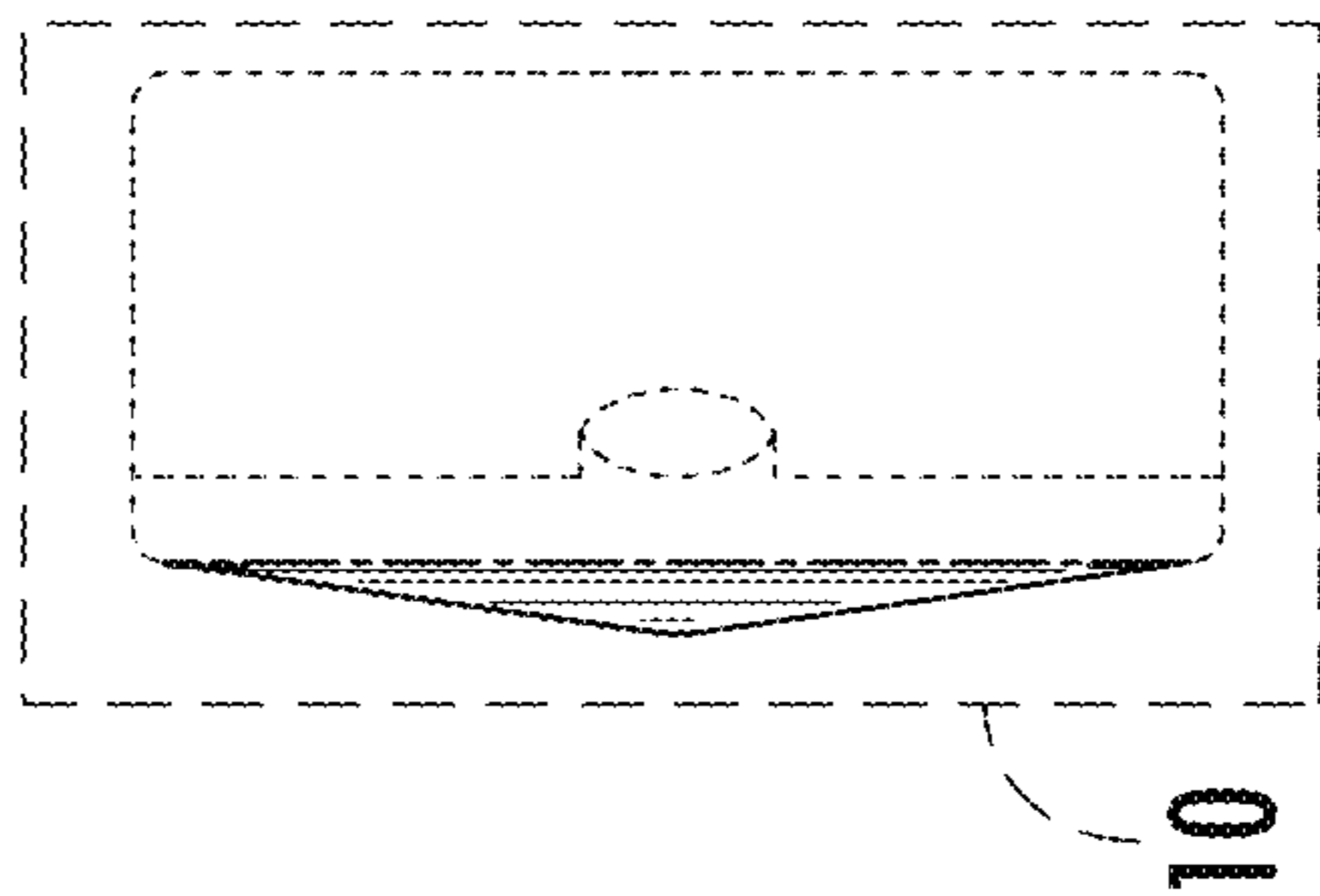


FIG. 7

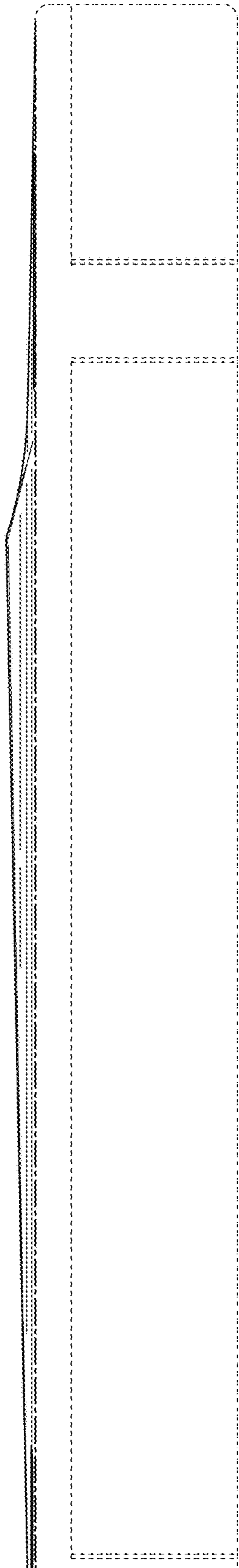


FIG. 8

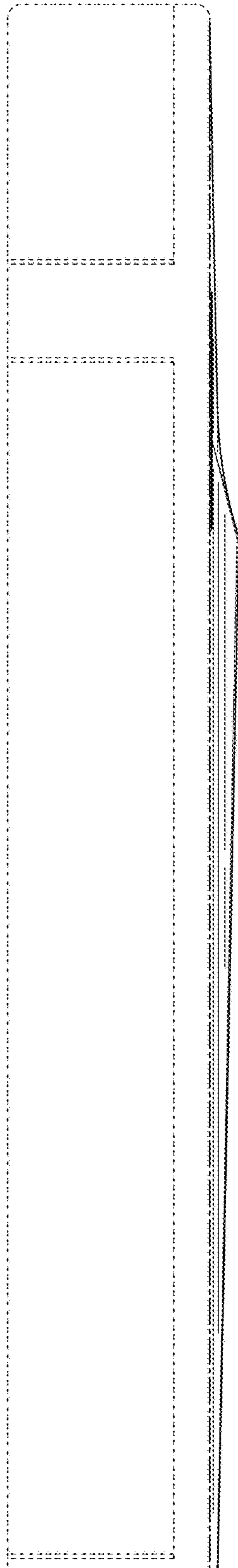


FIG. 9

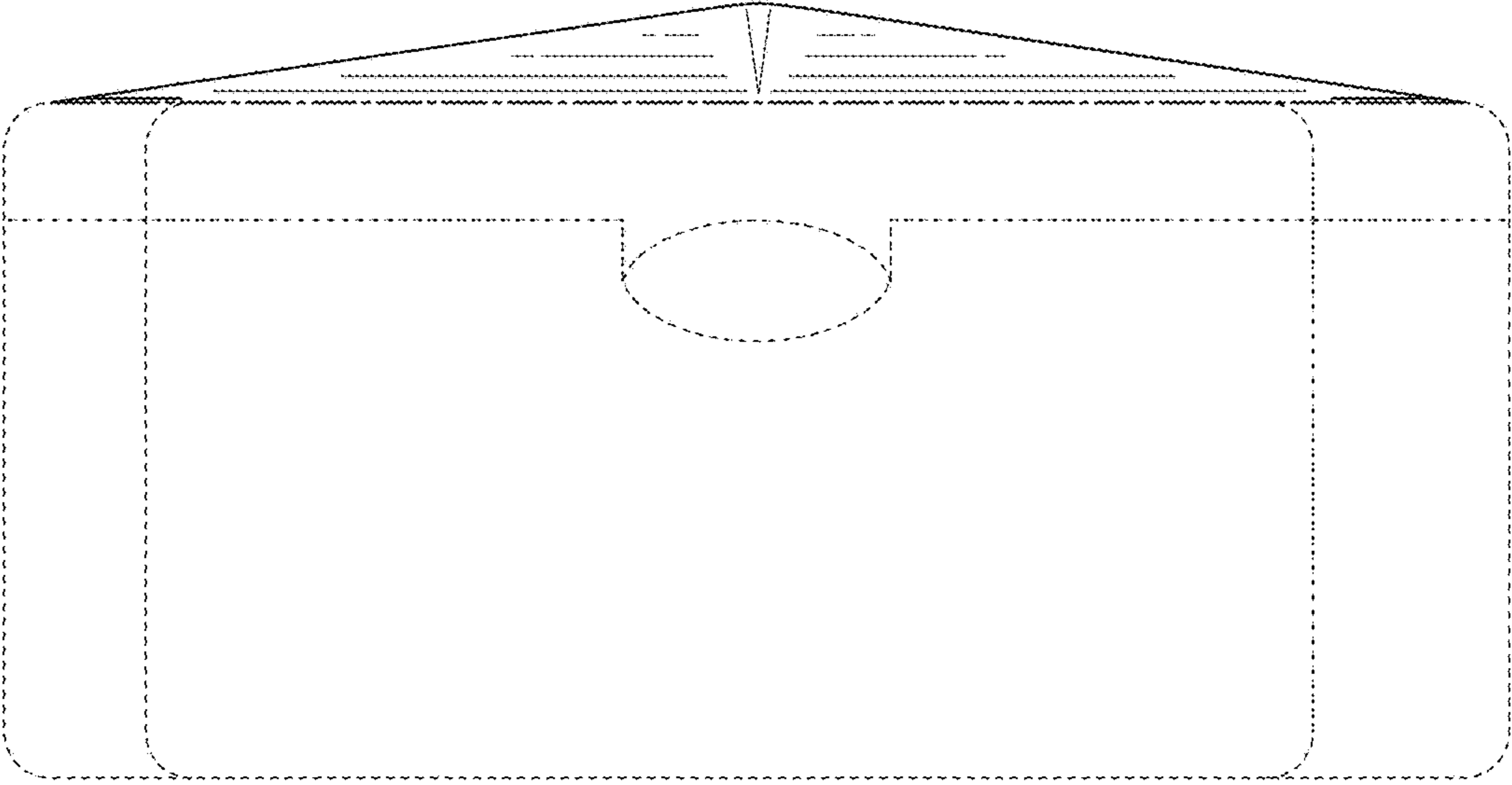


FIG. 11

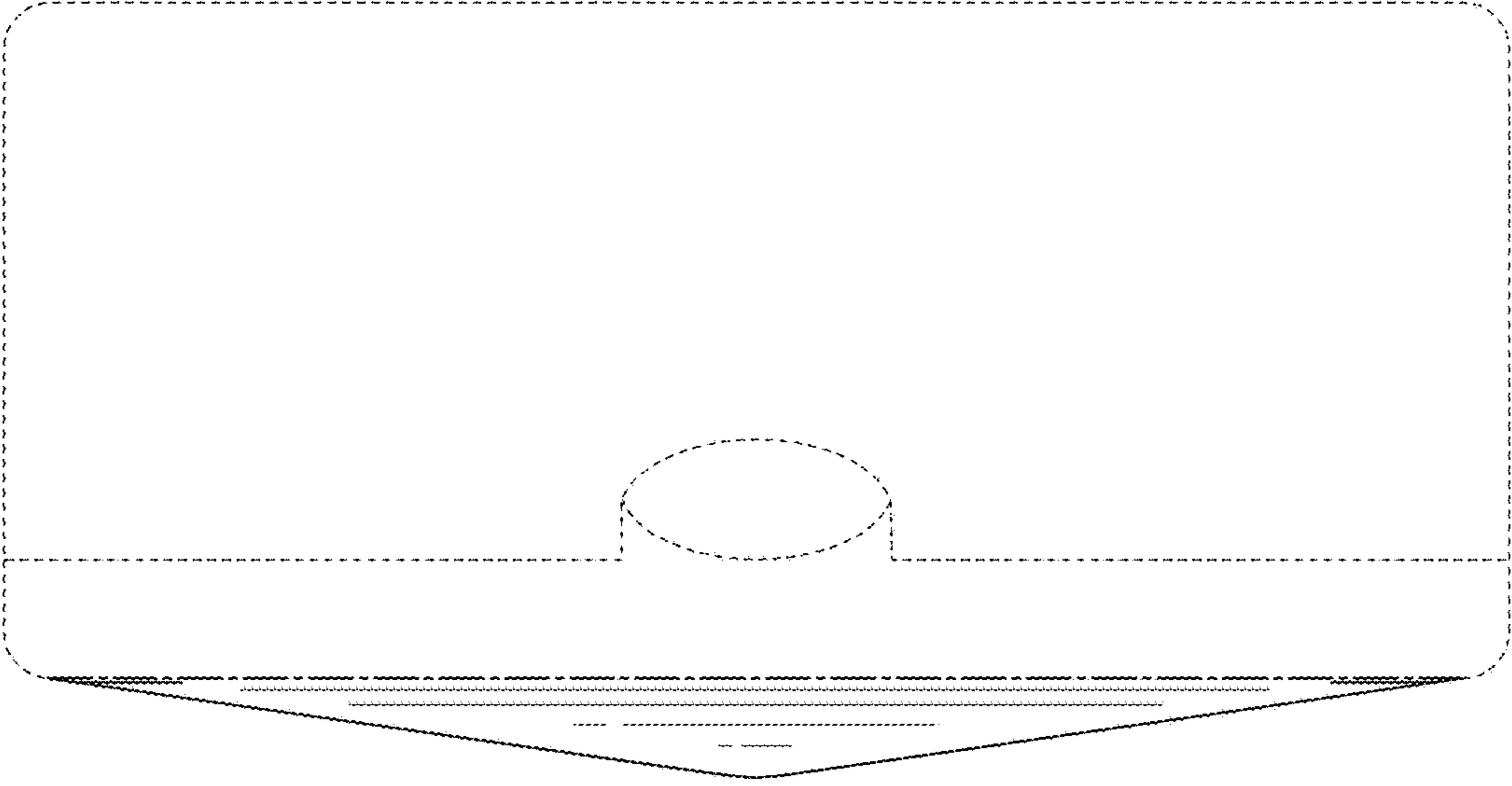


FIG. 10