



US00D824339S

(12) **United States Design Patent**
Yamaguchi

(10) **Patent No.:** **US D824,339 S**

(45) **Date of Patent:** **** Jul. 31, 2018**

(54) **ELECTRICAL CONNECTOR**

(71) Applicant: **Japan Aviation Electronics Industry, Limited**, Tokyo (JP)

(72) Inventor: **Shuhei Yamaguchi**, Tokyo (JP)

(73) Assignee: **JAPAN AVIATION ELECTRONICS INDUSTRY, LIMITED**, Tokyo (JP)

(**) Term: **15 Years**

(21) Appl. No.: **29/616,969**

(22) Filed: **Sep. 11, 2017**

(30) **Foreign Application Priority Data**

Mar. 15, 2017 (JP) 2017-005270

(51) **LOC (11) Cl.** **13-03**

(52) **U.S. Cl.**
USPC **D13/147**

(58) **Field of Classification Search**
USPC D13/123, 133, 146, 147, 154, 184, 199
CPC H01R 12/55; H01R 12/58; H01R 12/592;
H01R 12/616; H01R 12/70; H01R 12/7076; H01R 12/71; H01R 12/716;
H01R 12/718; H01R 12/72; H01R 12/73;
H01R 12/737; H01R 12/777; H01R 12/778; H01R 12/79; H01R 12/51; H01R 12/52;
H01R 12/57; H01R 12/61; H01R 12/63; H01R 12/7005; H01R 13/585;
H01R 13/6271; H01R 13/635; H01R 13/6587; H01R 13/6588; H01R 13/659;
H01R 13/6594; H01R 13/66

See application file for complete search history.

(56) **References Cited**

U.S. PATENT DOCUMENTS

D683,317 S *	5/2013	Nishimura	D13/147
D692,833 S *	11/2013	Nishimura	D13/147
D695,691 S *	12/2013	Kobuchi	D13/147
D720,298 S *	12/2014	Takenaga	D13/147
D739,826 S *	9/2015	Omodachi	D13/147
D816,043 S *	4/2018	Ashibu	D13/147

* cited by examiner

Primary Examiner — Daniel Bui

(74) *Attorney, Agent, or Firm* — Manabu Kanesaka

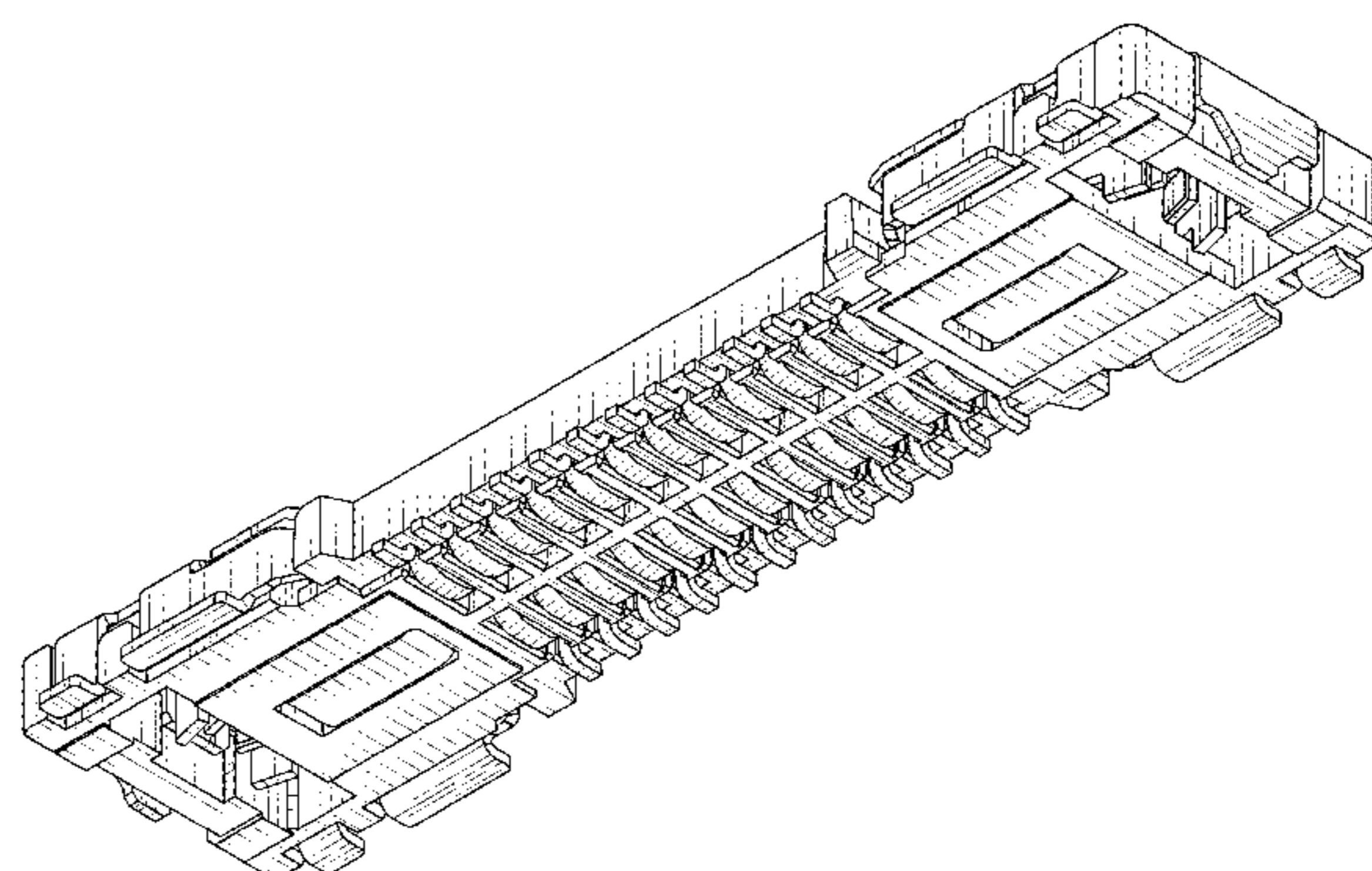
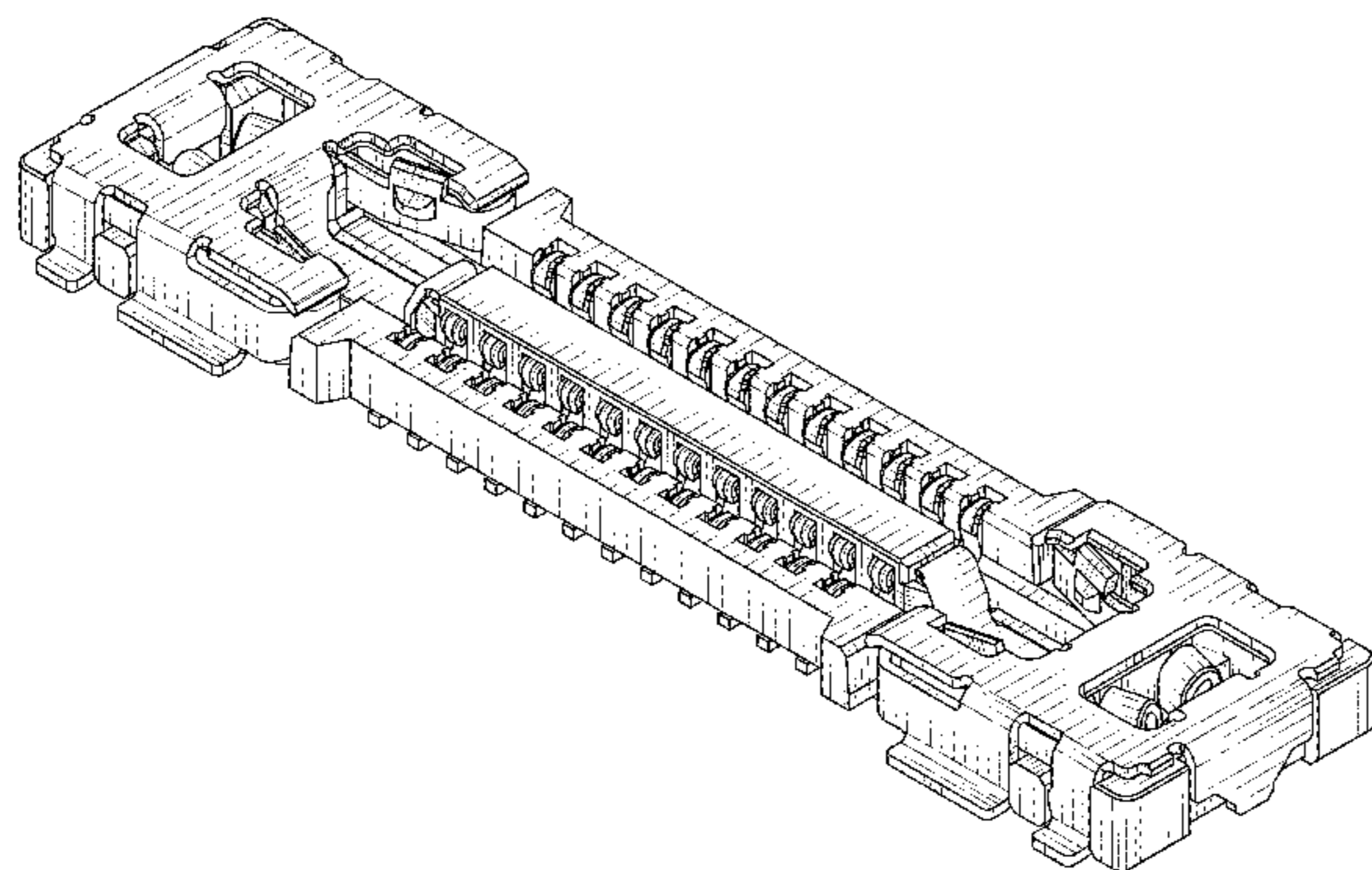
(57) **CLAIM**

The ornamental design for an electrical connector, as shown and described.

DESCRIPTION

FIG. 1 is a front elevational view of an electrical connector showing my new design;
FIG. 2 is a rear elevational view thereof;
FIG. 3 is a right side elevational view thereof;
FIG. 4 is a left side elevational view thereof;
FIG. 5 is a top plan view thereof;
FIG. 6 is a bottom plan view thereof;
FIG. 7 is a perspective view showing a front, top and right side thereof;
FIG. 8 is a perspective view showing a rear, bottom and left side thereof;
FIG. 9 is a perspective view showing a front, right side and bottom thereof; and,
FIG. 10 is a perspective view showing a rear, left side and top thereof.

1 Claim, 7 Drawing Sheets



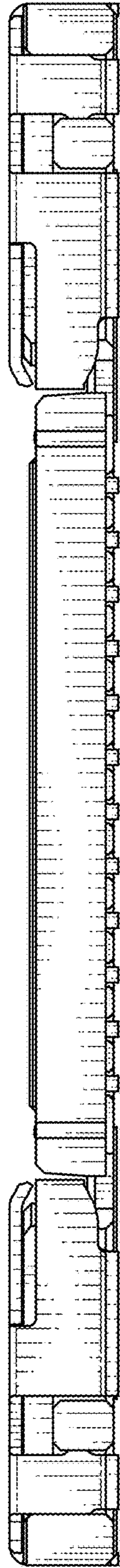


FIG. 1

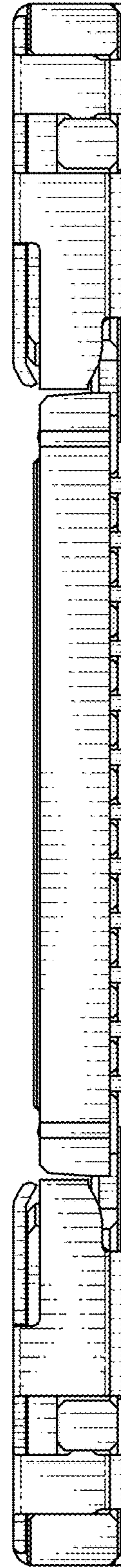


FIG. 2

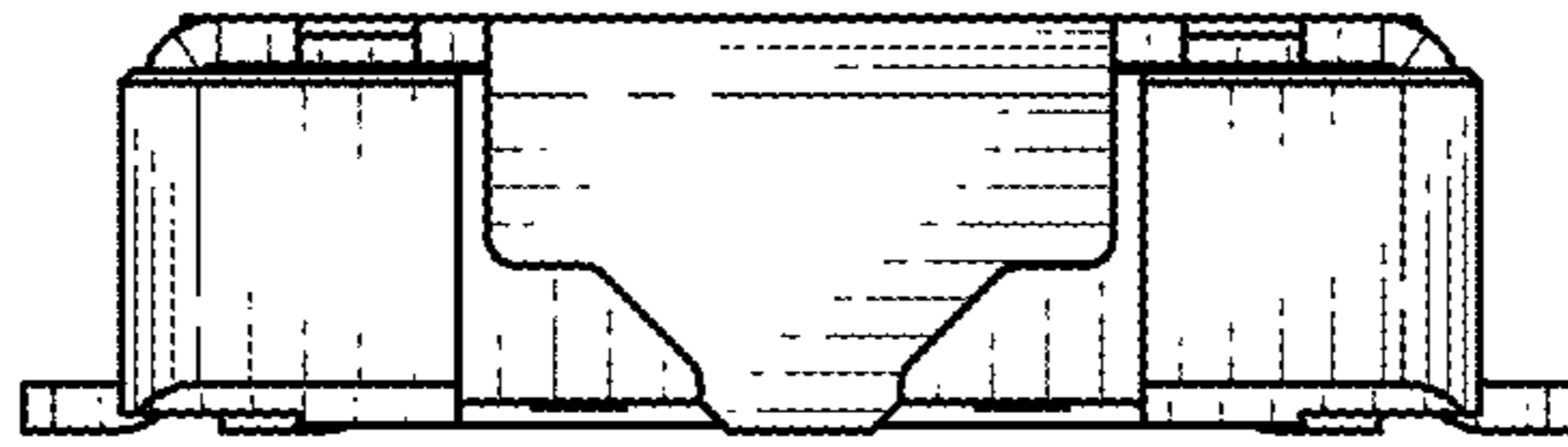


FIG. 3

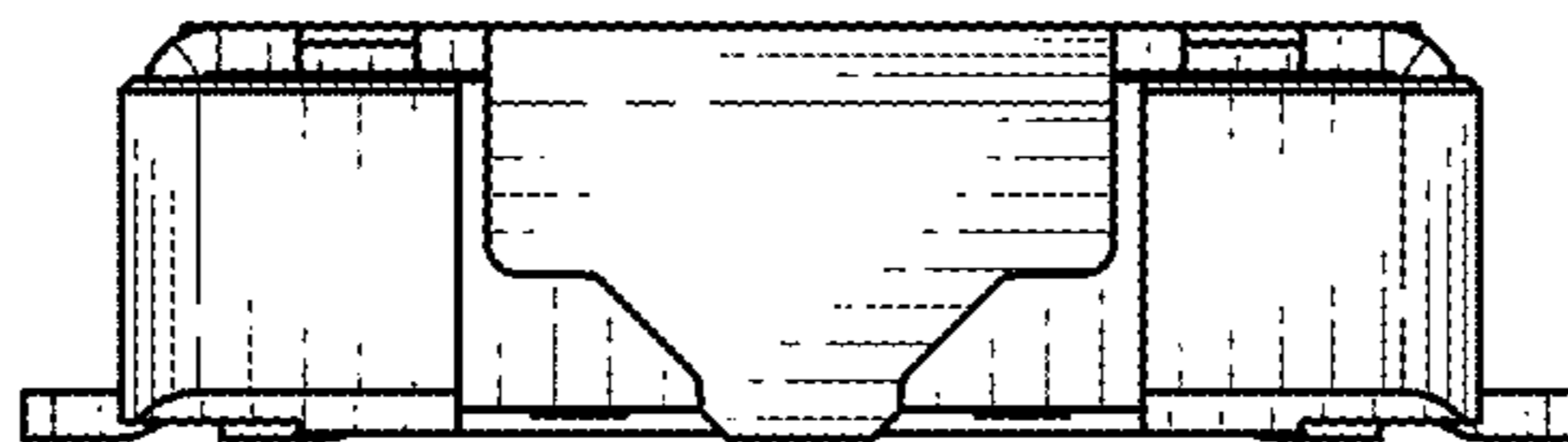


FIG. 4

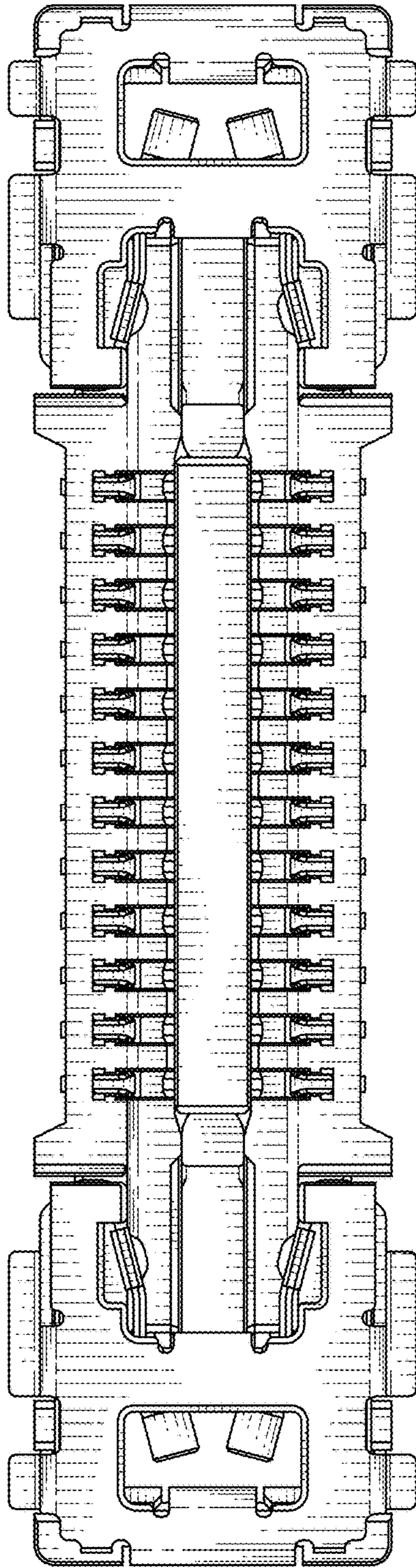


FIG. 5

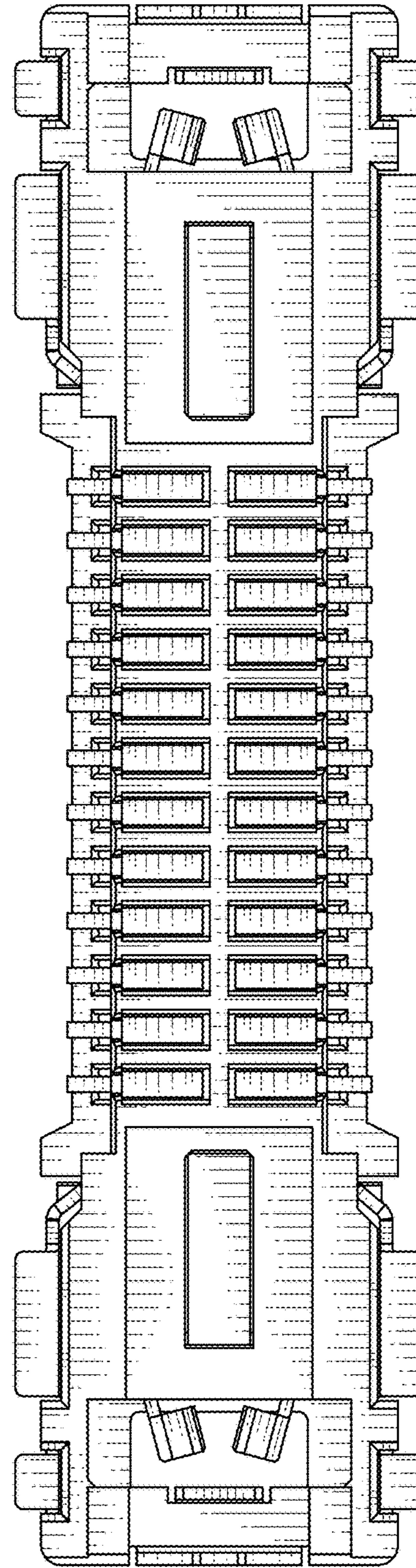


FIG. 6

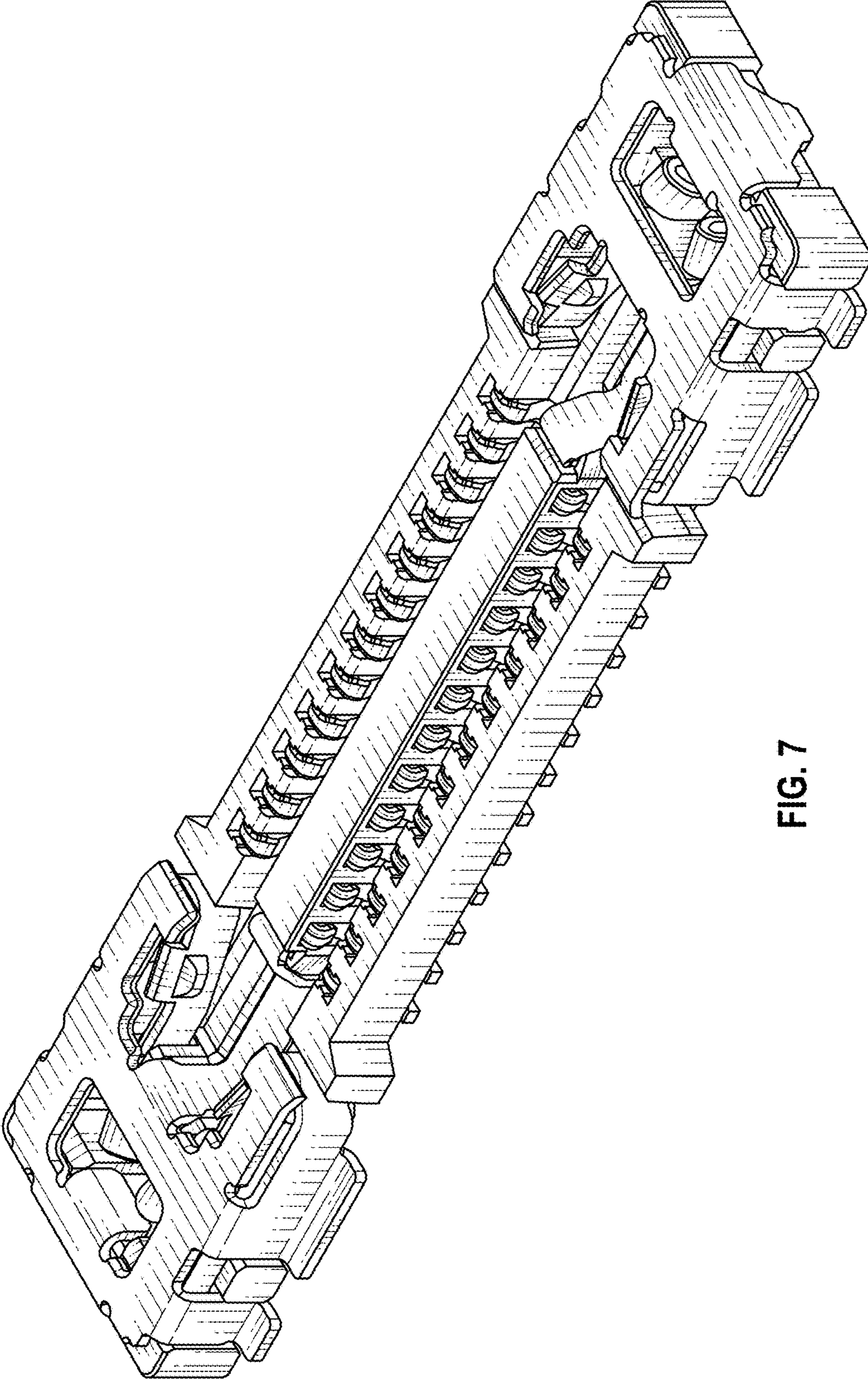


FIG. 7

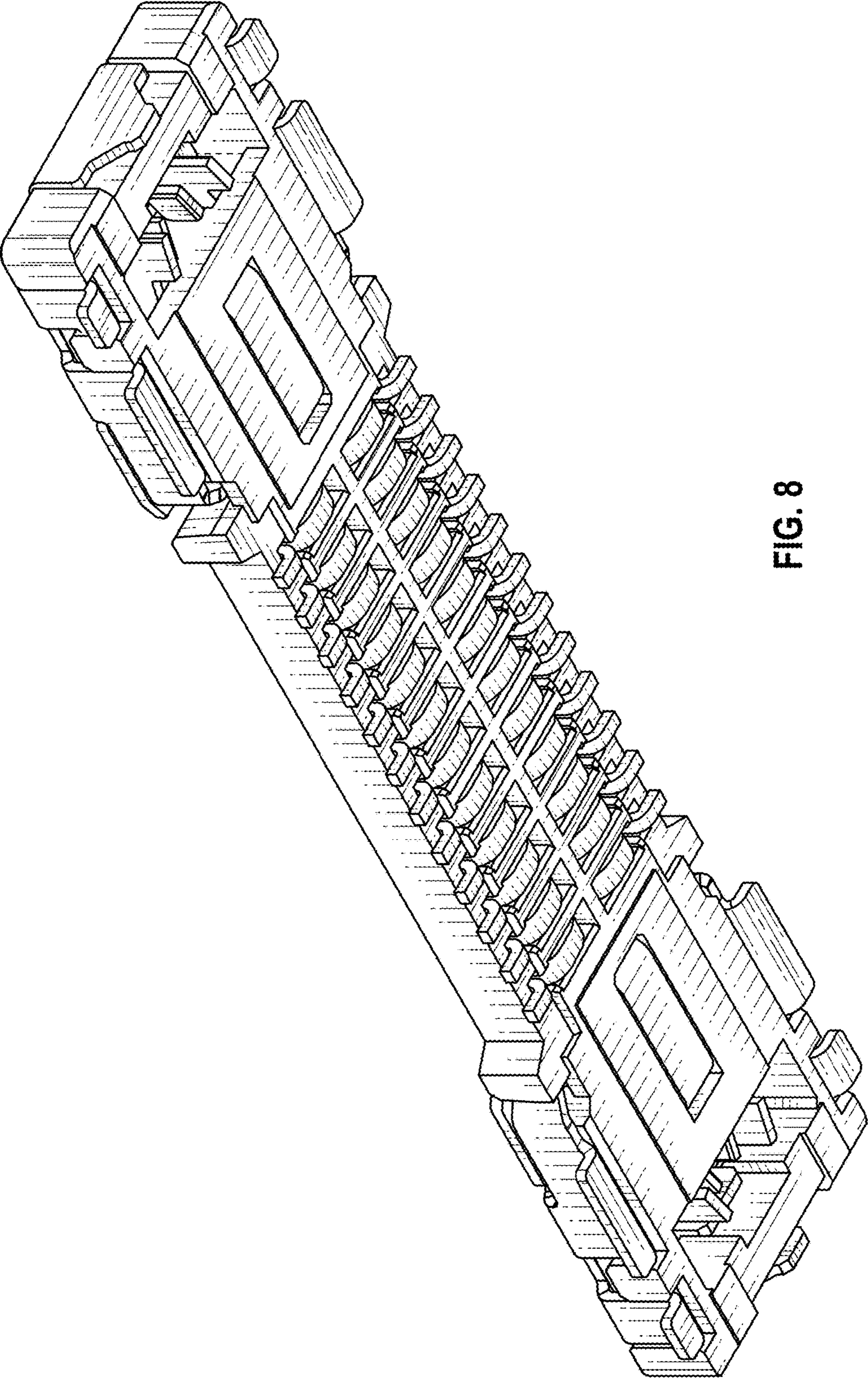


FIG. 8

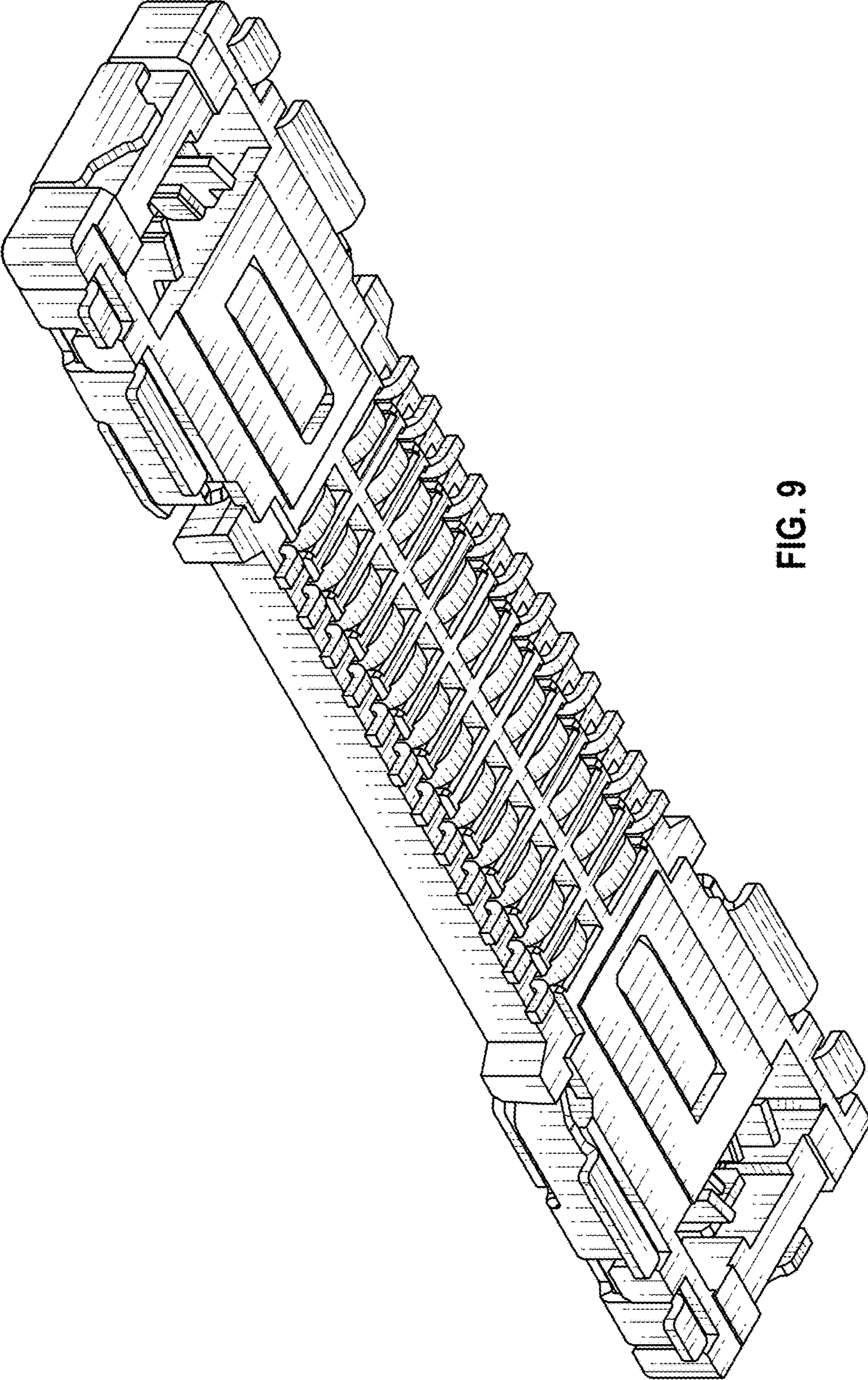


FIG. 9

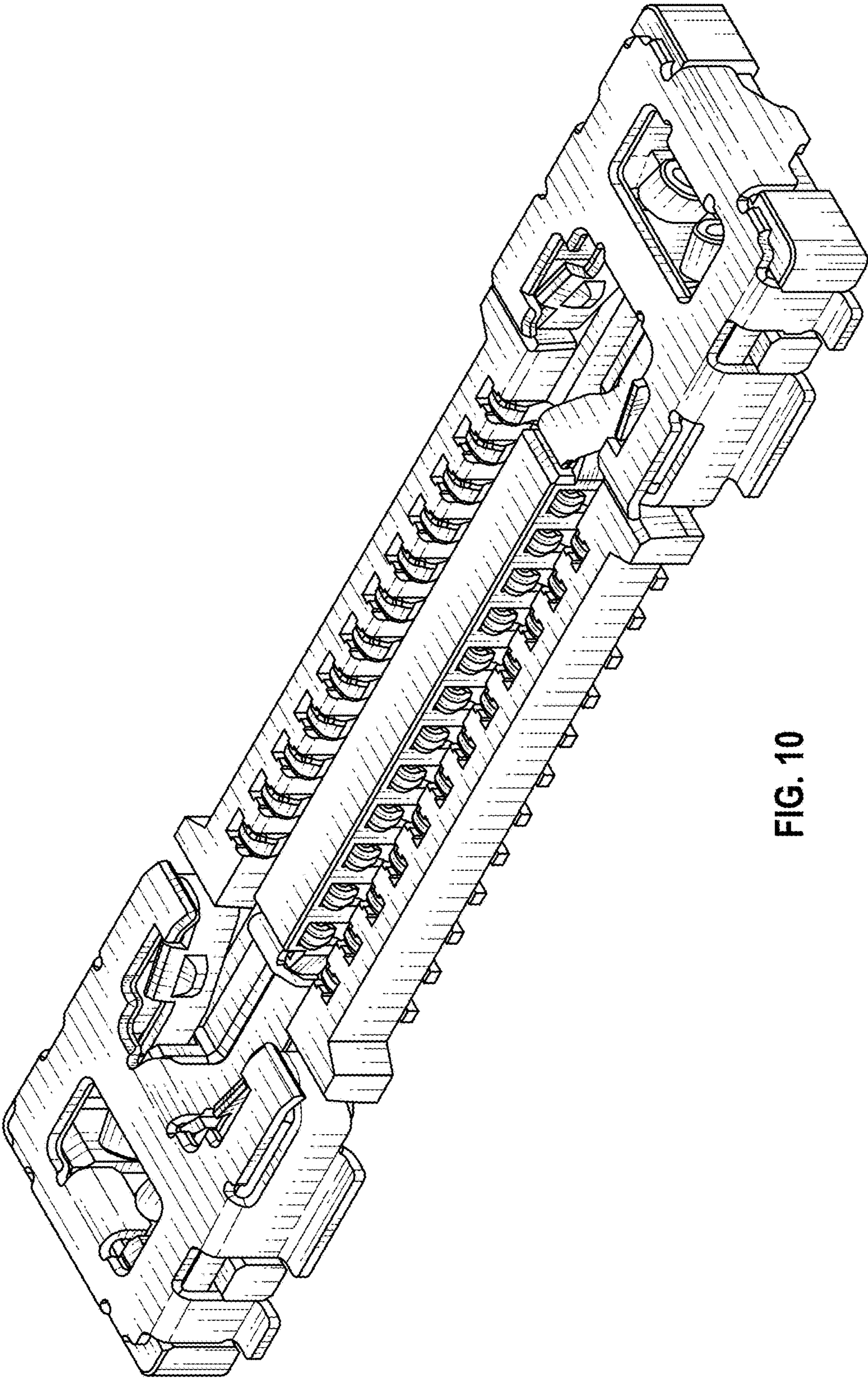


FIG. 10