



US00D824338S

(12) **United States Design Patent**
Obata et al.

(10) **Patent No.:** **US D824,338 S**
(45) **Date of Patent:** **** Jul. 31, 2018**

(54) **ELECTRICAL CONNECTOR**

(71) Applicant: **Japan Aviation Electronics Industry, Limited**, Tokyo (JP)

(72) Inventors: **Yusuke Obata**, Tokyo (JP); **Yuichiro Nakamura**, Tokyo (JP); **Masakazu Kuroiwa**, Tokyo (JP)

(73) Assignee: **JAPAN AVIATION ELECTRONICS INDUSTRY, LIMITED**, Tokyo (JP)

(**) Term: **15 Years**

(21) Appl. No.: **29/612,080**

(22) Filed: **Jul. 28, 2017**

(30) **Foreign Application Priority Data**

Feb. 13, 2017 (JP) 2017-002612

(51) **LOC (11) Cl.** **13-03**

(52) **U.S. Cl.**
USPC **D13/147**

(58) **Field of Classification Search**
USPC D13/123, 133, 146, 147, 154, 184, 199
CPC H01R 12/51; H01R 12/52; H01R 12/57;
H01R 12/592; H01R 12/61; H01R 12/63;
H01R 12/7005; H01R 12/716; H01R 12/72;
H01R 12/732; H01R 12/777; H01R 12/79;
H01R 12/87; H01R 12/89; H01R 13/213;
H01R 13/2464; H01R 13/2492; H01R 13/26;
H01R 13/28; H01R 13/428; H01R 13/434; H01R 13/4362;
H01R 13/4534; H01R 13/506; H01R 13/508;
H01R 13/5804; H01R 13/5816; H01R 13/585;
H01R 13/6271; H01R 13/635

See application file for complete search history.

(56) **References Cited**

U.S. PATENT DOCUMENTS

D602,870	S *	10/2009	Wu	D13/147
D705,172	S *	5/2014	Nomura	D13/147
D706,221	S *	6/2014	Grant	D13/147
D709,036	S *	7/2014	McCartin	D13/147
8,888,532	B2 *	11/2014	Hamaoka	H01R 13/6625 439/620.24
D778,240	S *	2/2017	Sato	D13/147
D812,568	S *	3/2018	Kirk	D13/147
2016/0276761	A1 *	9/2016	Endo	H01R 12/716

* cited by examiner

Primary Examiner — Daniel Bui

(74) *Attorney, Agent, or Firm* — Manabu Kanesaka

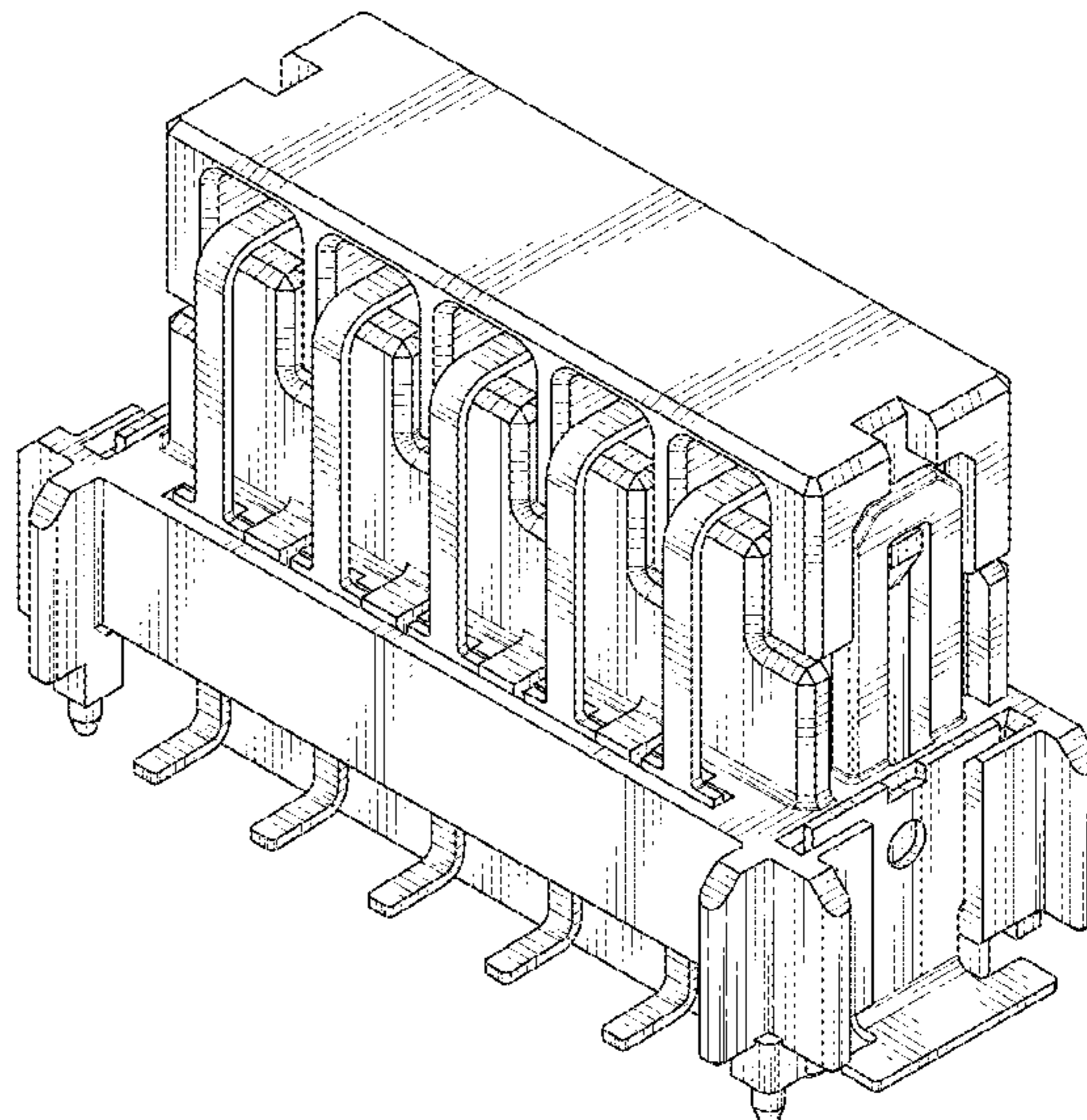
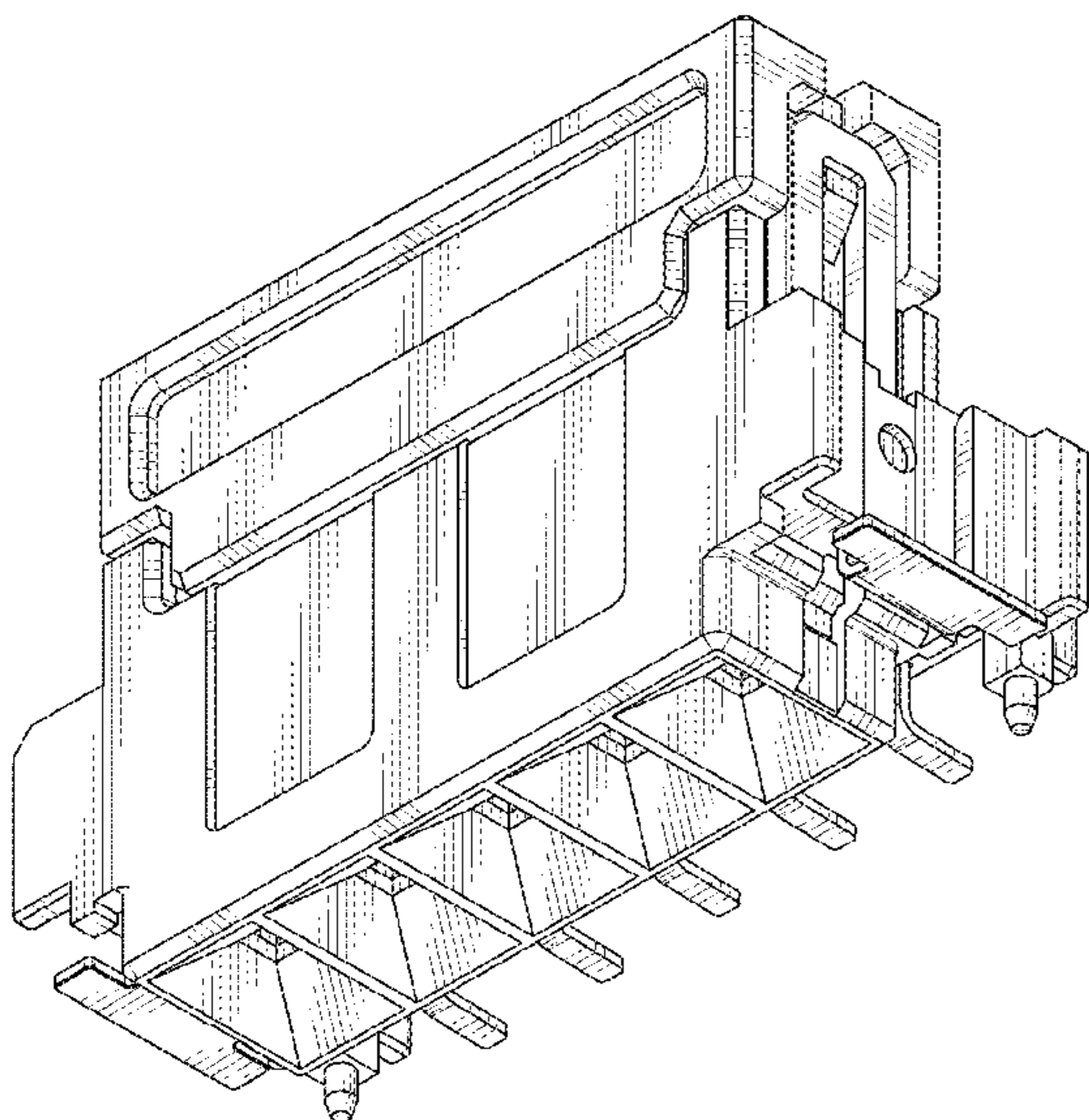
(57) **CLAIM**

The ornamental design for an electrical connector, as shown and described.

DESCRIPTION

FIG. 1 is a front elevational view of an electrical connector showing our new design;
FIG. 2 is a rear elevational view thereof;
FIG. 3 is a right side elevational view thereof;
FIG. 4 is a left side elevational view thereof;
FIG. 5 is a top plan view thereof;
FIG. 6 is a bottom plan view thereof;
FIG. 7 is a perspective view showing a front, top and right side thereof;
FIG. 8 is a perspective view showing a rear, bottom and left side thereof;
FIG. 9 is a perspective view showing a front, right side and bottom thereof; and,
FIG. 10 is a perspective view showing a rear, left side and top thereof.

1 Claim, 7 Drawing Sheets



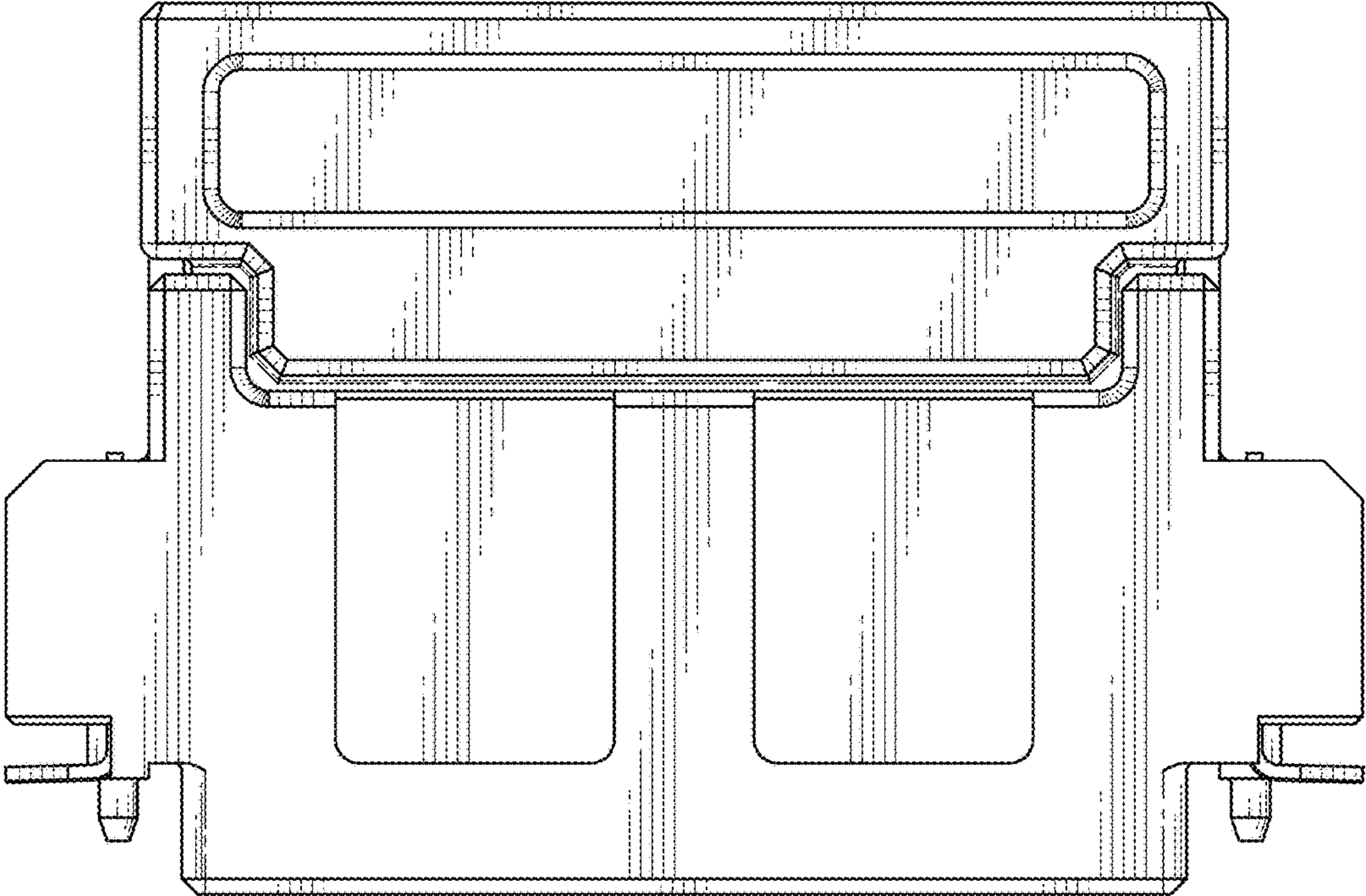


FIG. 1

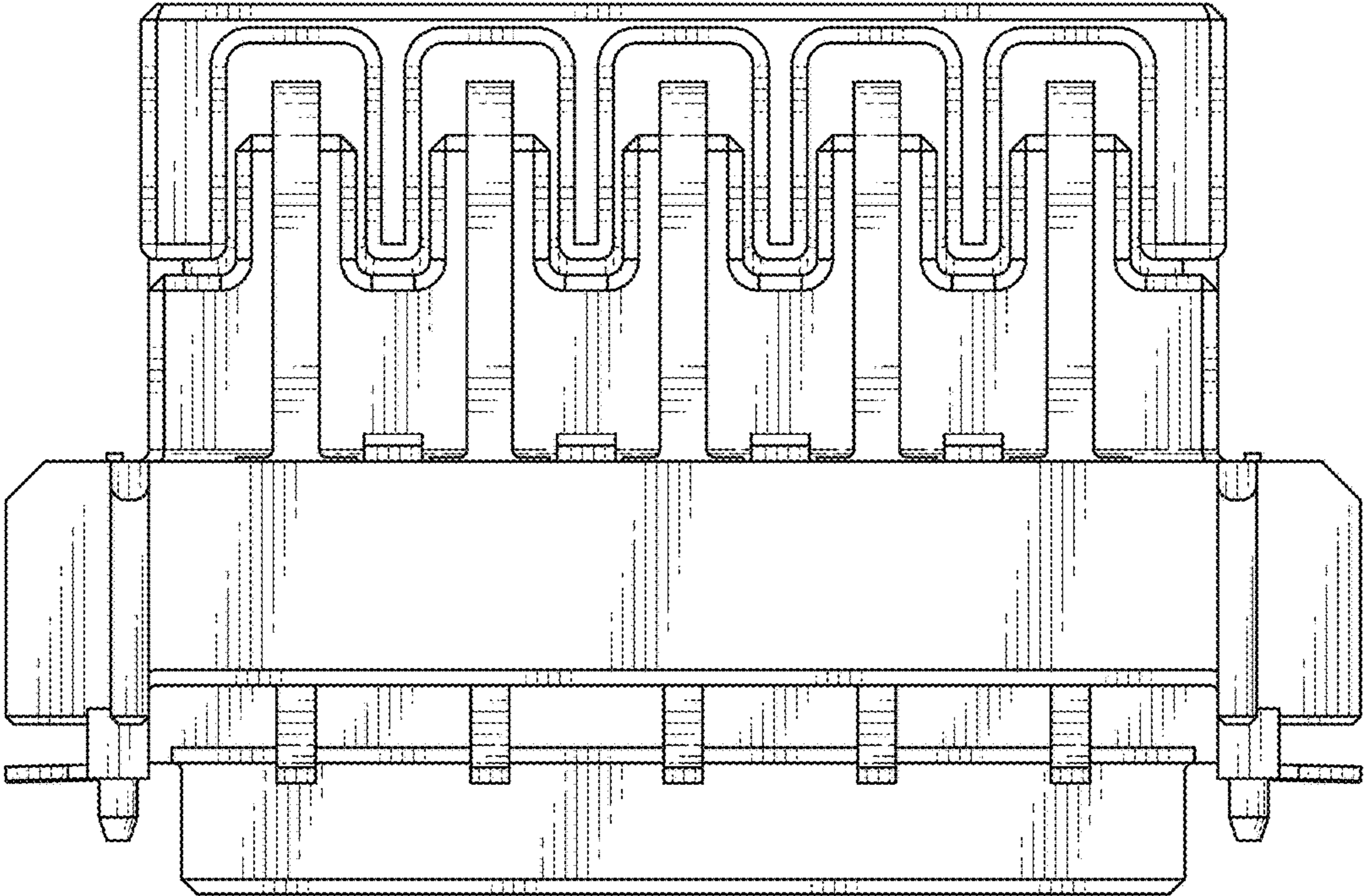


FIG. 2

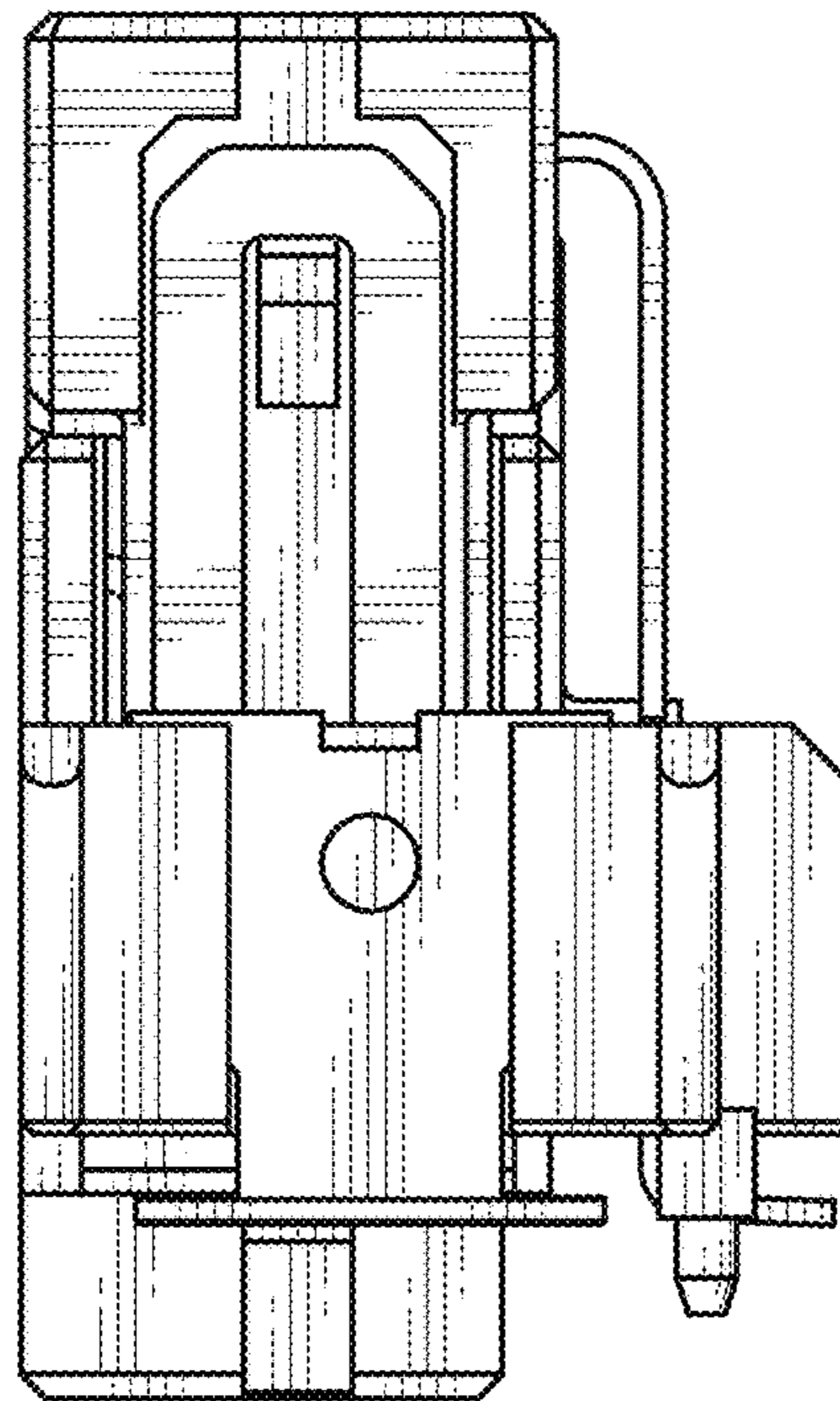


FIG. 3

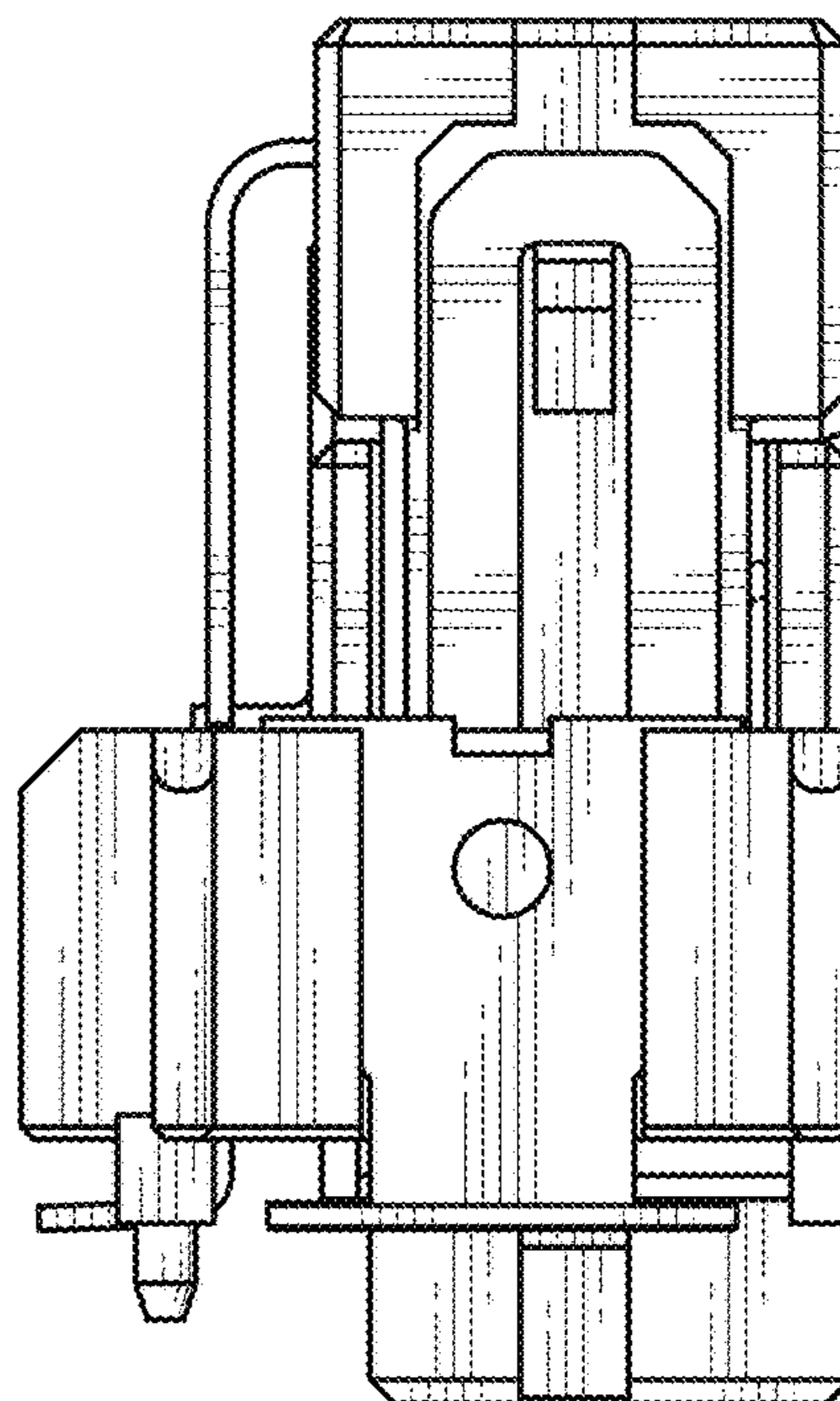


FIG. 4

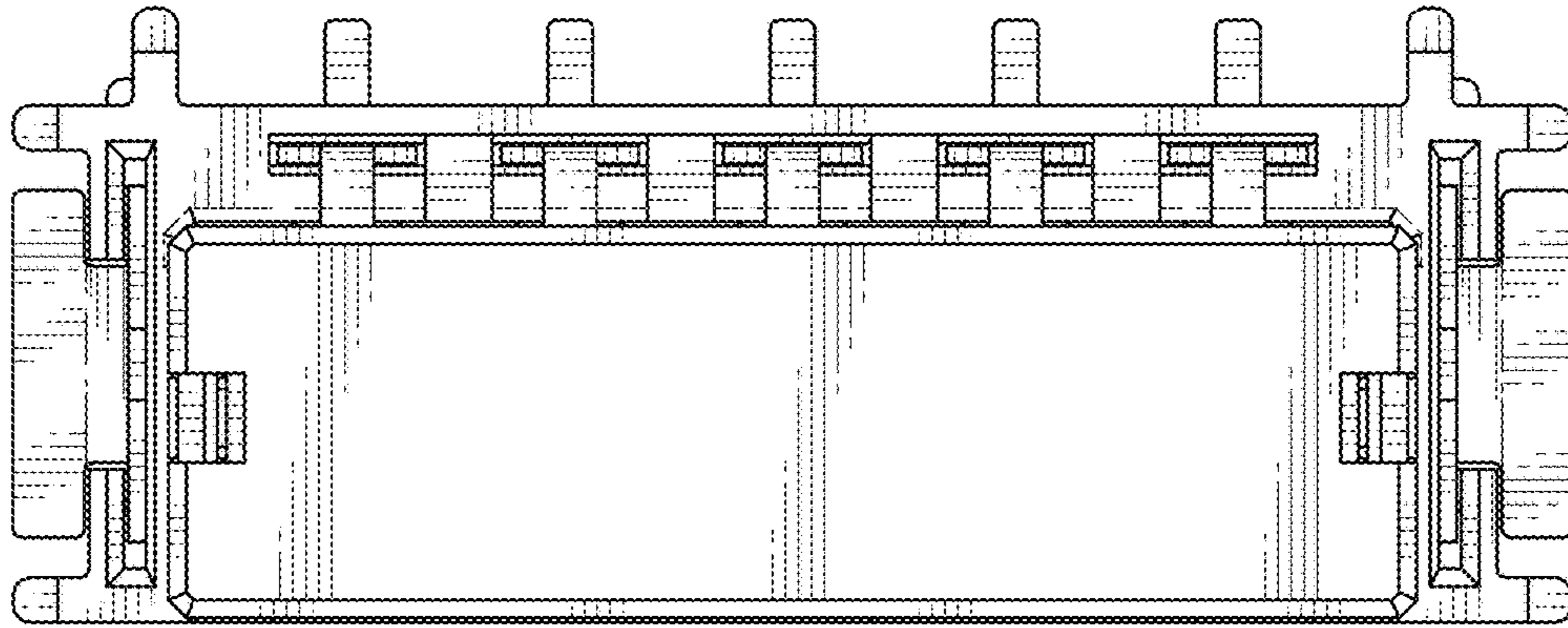


FIG. 5

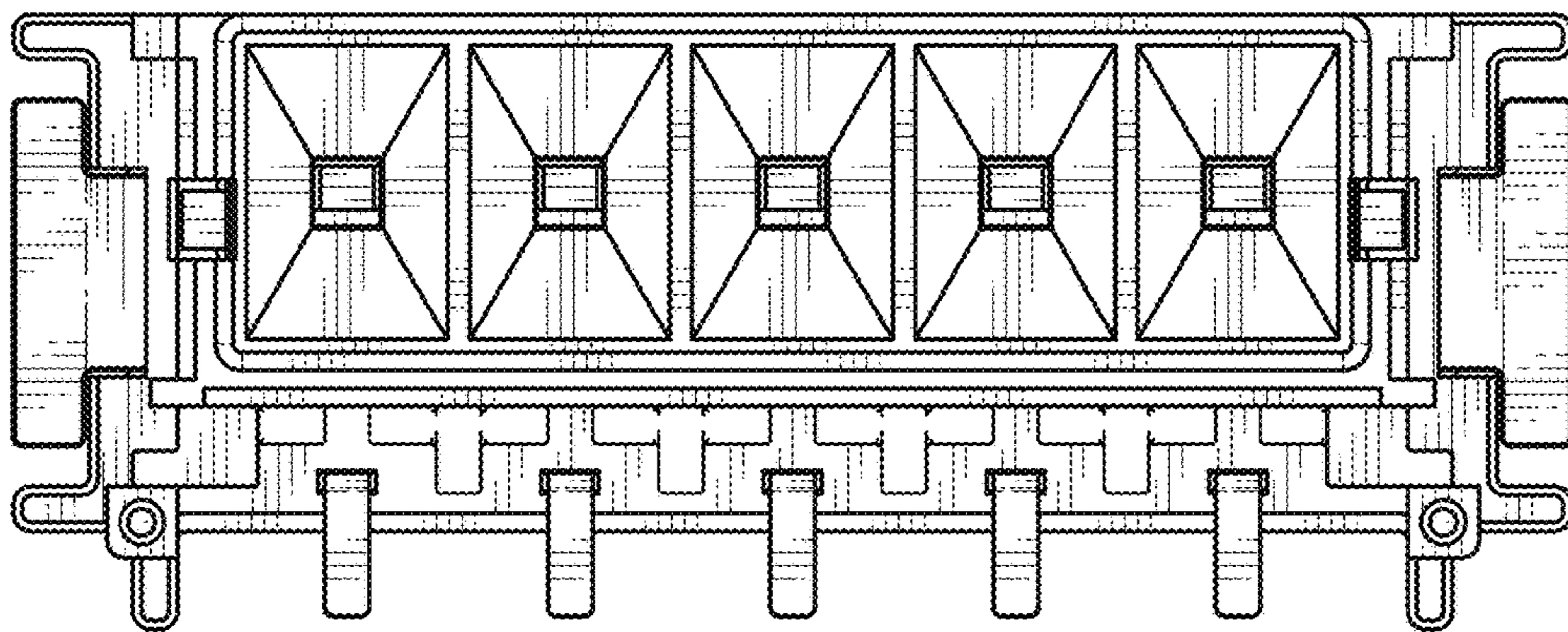


FIG. 6

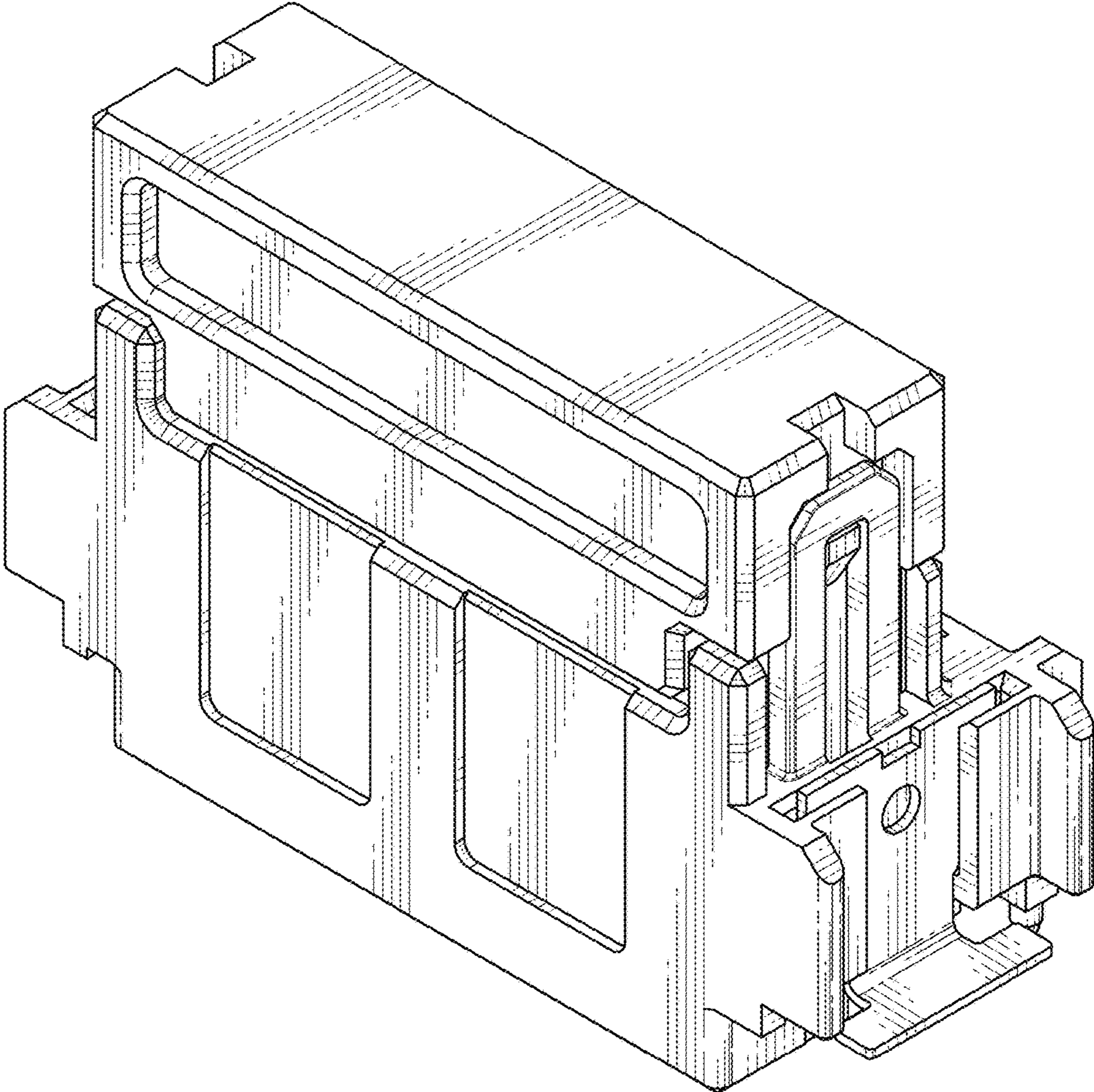


FIG. 7

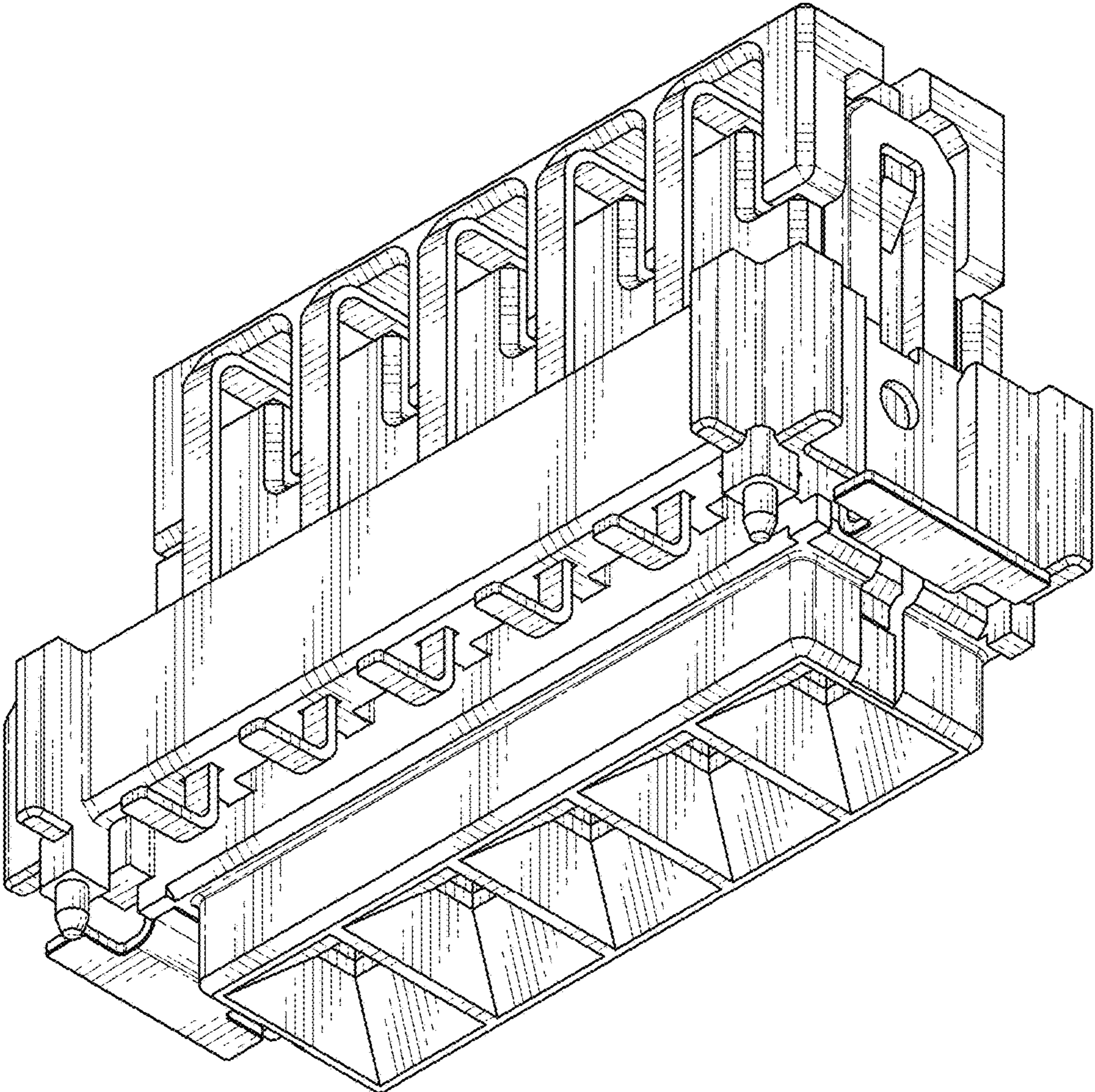


FIG. 8

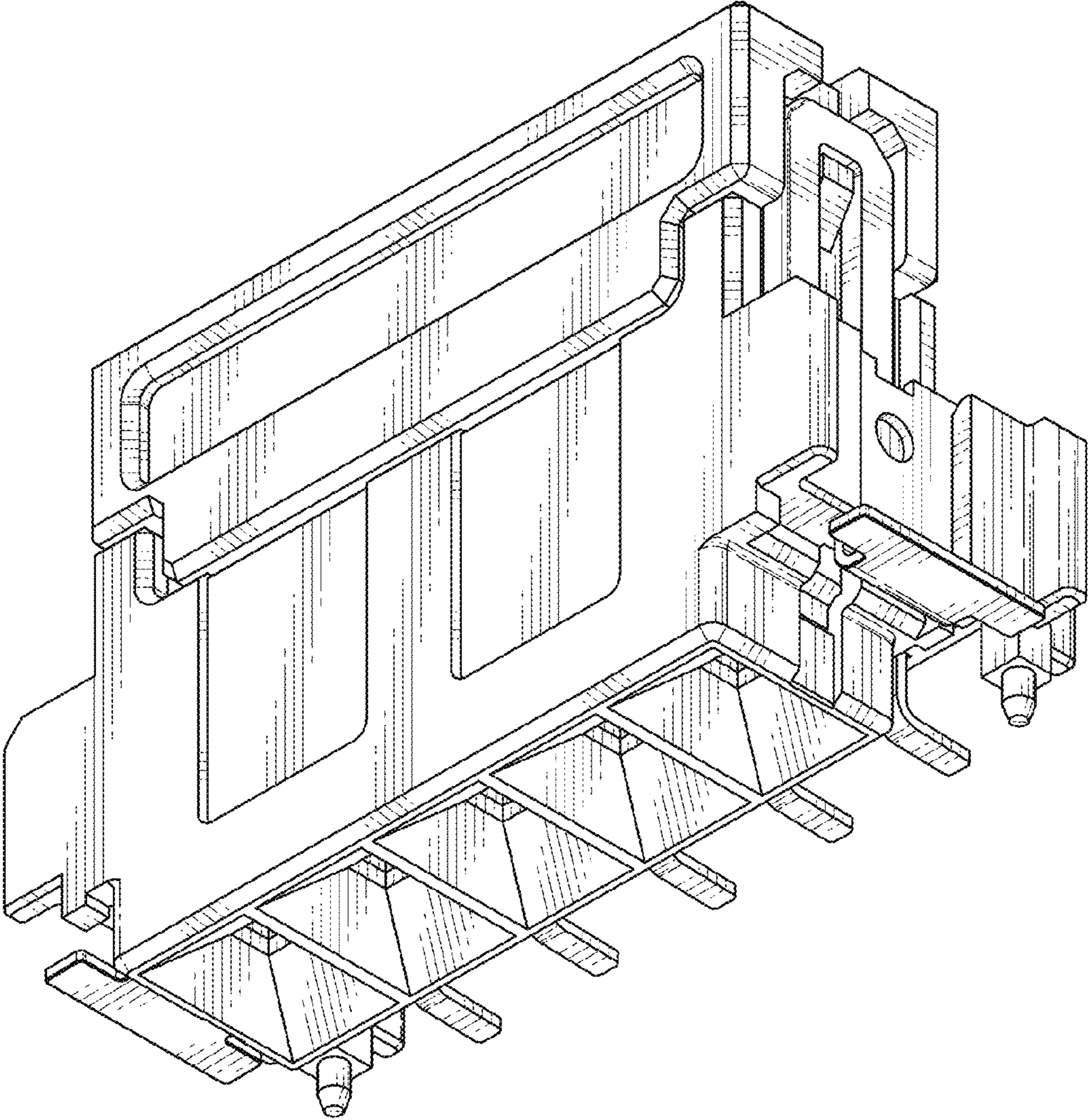


FIG. 9

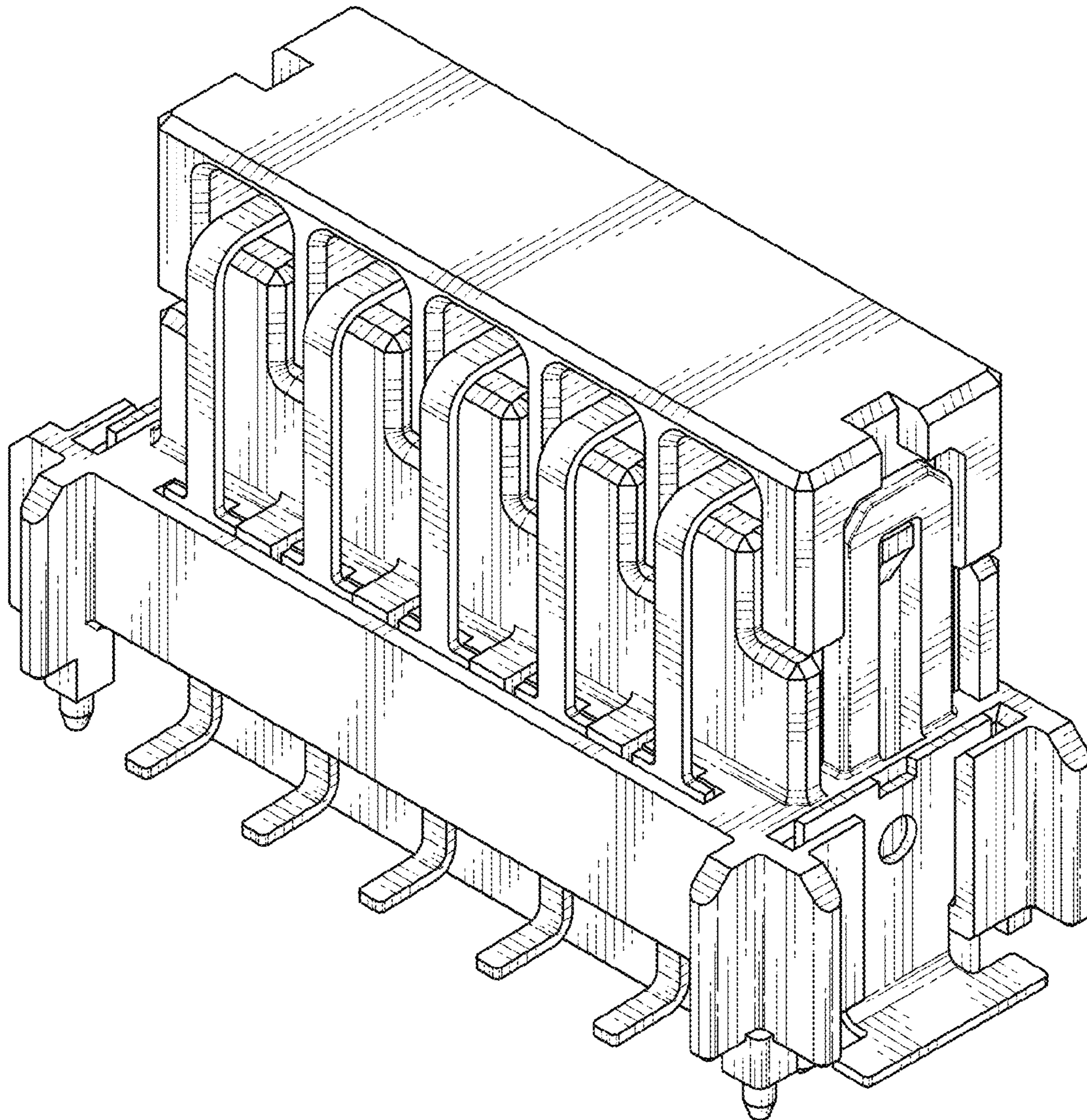


FIG. 10