



US00D824336S

(12) **United States Design Patent**
Yayoshi

(10) **Patent No.:** **US D824,336 S**
(45) **Date of Patent:** **** Jul. 31, 2018**

(54) **ELECTRICAL CONNECTOR**

(71) Applicant: **DAI-ICHI SEIKO CO., LTD.**,
Kyoto-shi (JP)
(72) Inventor: **Tadamichi Yayoshi**, Machida (JP)
(73) Assignee: **DAI-ICHI SEIKO CO., LTD.**,
Kyoto-shi (JP)
(**) Term: **15 Years**

(21) Appl. No.: **29/595,815**
(22) Filed: **Mar. 2, 2017**

(30) **Foreign Application Priority Data**

Sep. 7, 2016 (JP) 2016-019337

(51) **LOC (11) Cl.** **13-03**

(52) **U.S. Cl.**
USPC **D13/147**

(58) **Field of Classification Search**
USPC D13/118, 120, 123, 133, 146, 147, 149,
D13/154, 173, 184, 199; D14/432, 433,
D14/435, 435.1, 436, 437, 438
CPC H01R 12/00; H01R 12/50; H01R 12/52;
H01R 12/57; H01R 12/62; H01R 12/65;
H01R 12/70; H01R 12/71; H01R 12/73;
H01R 13/02; H01R 13/04; H01R 13/52;
H01R 13/62; H01R 13/627; H01R 13/65;
H01R 24/00; H01R 24/28
See application file for complete search history.

(56) **References Cited**

U.S. PATENT DOCUMENTS

D539,225 S 3/2007 Kishi
D540,263 S 4/2007 Kishi
D578,481 S 10/2008 Lee
D582,858 S 12/2008 Hoshino
D598,863 S 8/2009 Hoshino

(Continued)

OTHER PUBLICATIONS

USOA for U.S. Appl. No. 29/595,823, dated Mar. 29, 2018, 8 pages.

(Continued)

Primary Examiner — Thomas Johannes
Assistant Examiner — Shawn T Gingrich
(74) *Attorney, Agent, or Firm* — Oblon, McClelland,
Maier & Neustadt, L.L.P.

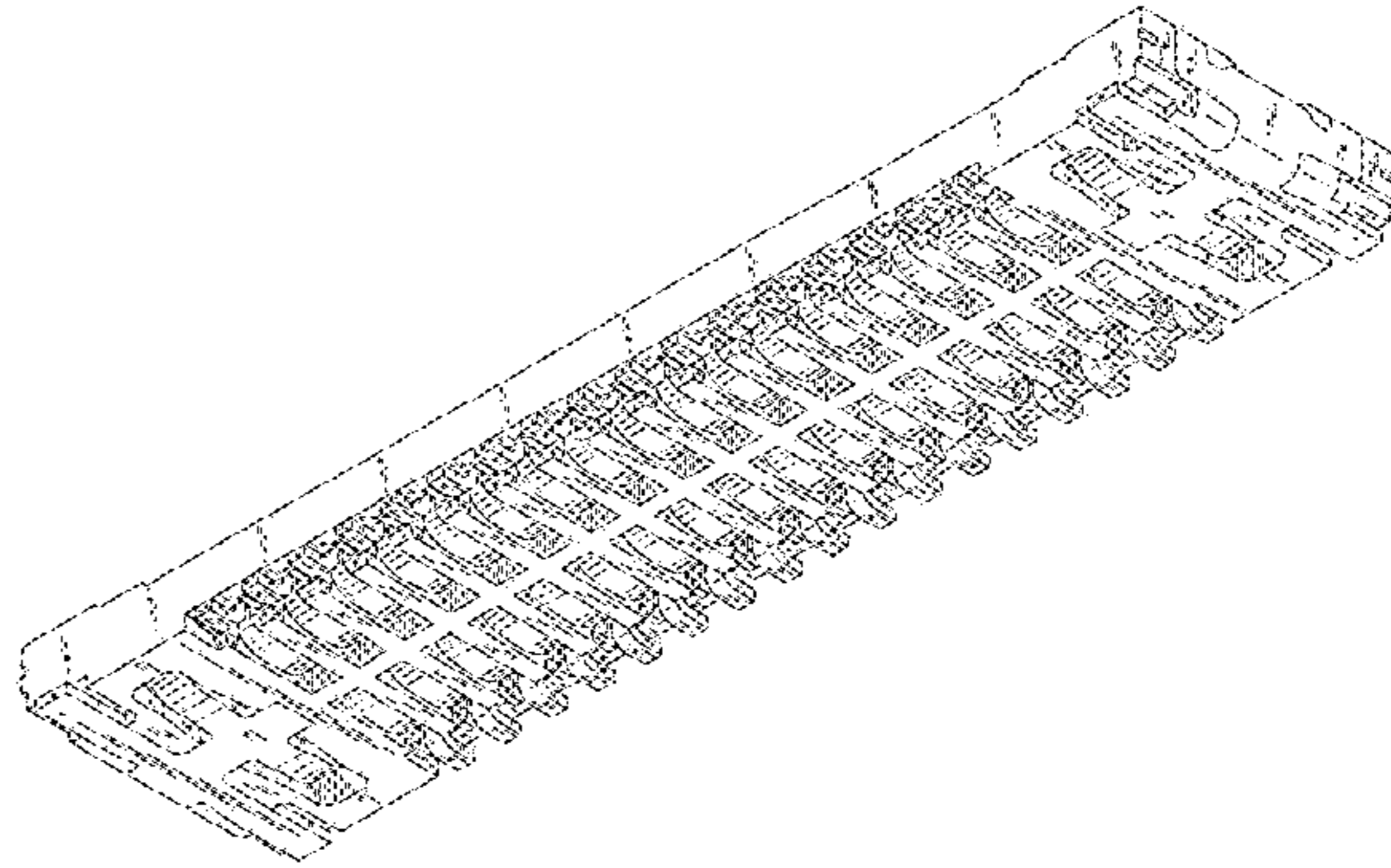
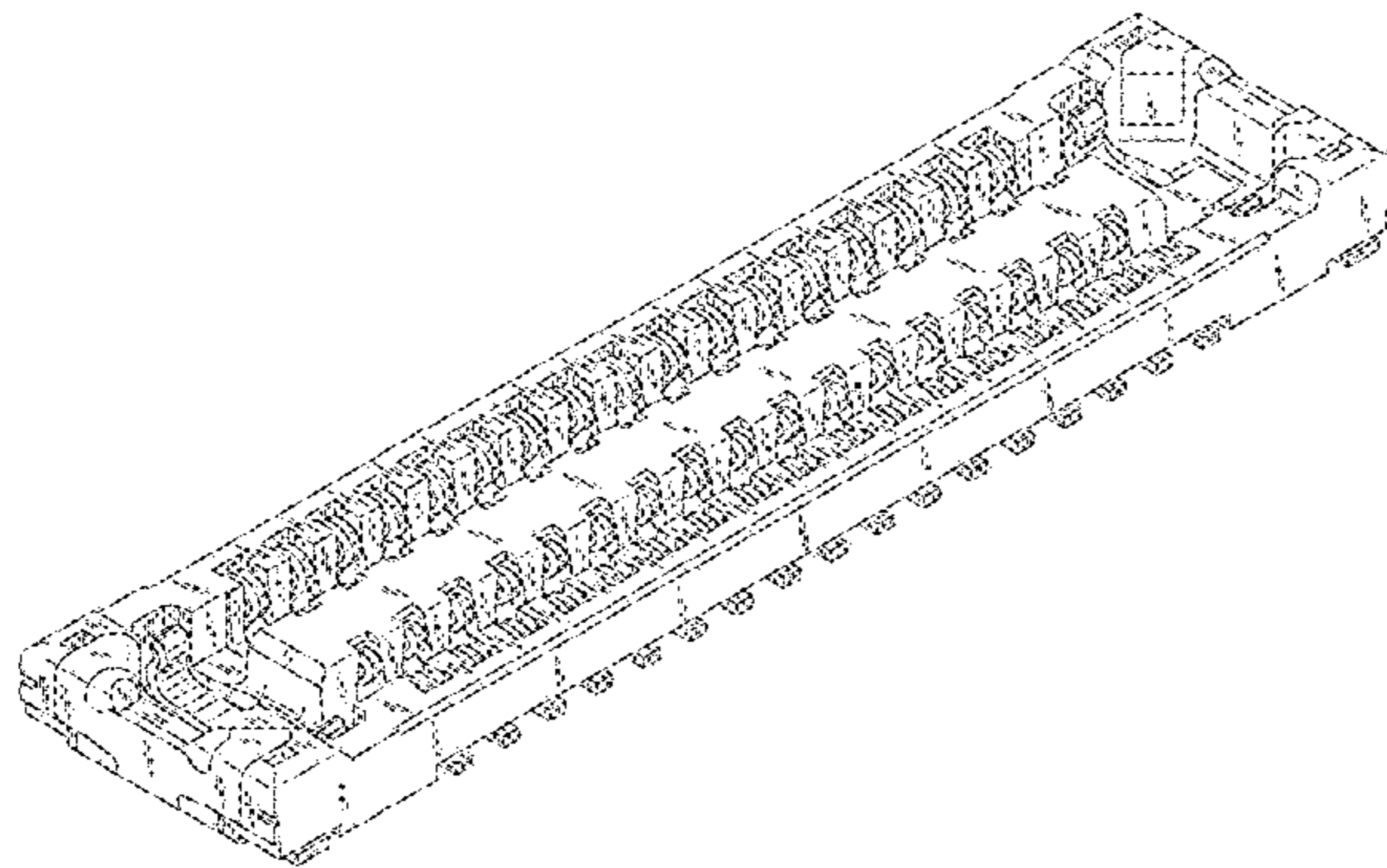
(57) **CLAIM**

The ornamental design for an electrical connector, as shown and described.

DESCRIPTION

FIG. 1 is a front elevational view of an electrical connector; FIG. 2 is a rear elevational view thereof; FIG. 3 is a top plan view thereof; FIG. 4 is a bottom plan view thereof; FIG. 5 is a right side elevational view thereof; FIG. 6 is a left side elevational view thereof; FIG. 7 is a front, top, and left side perspective view thereof; FIG. 8 is a front, bottom, and right side perspective view thereof; FIG. 9 is an enlarged cross-sectional view along the line 9-9 in FIG. 1; FIG. 10 is an enlarged cross-sectional view along the line 10-10 in FIG. 1; FIG. 11 is an enlarged cross-sectional view along the line 11-11 in FIG. 1; FIG. 12 is a cross-sectional view along the line 12-12 in FIGS. 3; and, FIG. 13 is an enlarged view showing a portion of FIG. 12 defined by line 13-13. The broken lines in the drawings illustrate subject matter that forms no part of the claimed design.

1 Claim, 13 Drawing Sheets



(56)

References Cited

U.S. PATENT DOCUMENTS

D695,692 S 12/2013 Takenaga
 8,845,339 B2* 9/2014 Ono H01R 12/7052
 439/74
 D720,298 S 12/2014 Takenaga
 D721,040 S * 1/2015 Watanabe D13/147
 D722,974 S 2/2015 Ueda
 D723,471 S 3/2015 Miyazaki
 D735,674 S * 8/2015 Miyazaki D13/147
 D739,825 S 9/2015 Omodachi
 D758,971 S * 6/2016 Arichika D13/147
 D774,462 S 12/2016 Omodachi
 D795,813 S 8/2017 Goto
 D797,677 S 9/2017 Ozeki
 D811,344 S * 2/2018 Ozeki D13/147
 9,887,473 B2* 2/2018 Lee H01R 12/716
 2006/0264074 A1 11/2006 Chang
 2008/0268711 A1 10/2008 Miyazaki
 2010/0221928 A1 9/2010 Sato
 2011/0136379 A1* 6/2011 Midorikawa H01R 12/716
 439/607.01
 2013/0012074 A1 1/2013 Mashiyama
 2013/0137304 A1 5/2013 Huang

2013/0137307 A1 5/2013 Huang
 2013/0137308 A1 5/2013 Chiang
 2014/0220830 A1* 8/2014 Kubo H01R 12/73
 439/660
 2015/0079818 A1 3/2015 Ozeki
 2015/0079853 A1 3/2015 Tsai
 2015/0140841 A1* 5/2015 Watanabe H01R 12/7011
 439/74
 2015/0207248 A1 7/2015 Takenaga
 2015/0214643 A1 7/2015 Lee
 2015/0270641 A1 9/2015 Omodachi
 2015/0380845 A1 12/2015 Goto
 2016/0141783 A1* 5/2016 Hirakawa H01R 12/7076
 439/66
 2016/0268715 A1 9/2016 Kodaira
 2016/0315430 A1* 10/2016 Takeuchi H01R 12/707
 2017/0033510 A1* 2/2017 Ozeki G01N 21/956
 2017/0271813 A1 9/2017 Ge
 2018/0069331 A1* 3/2018 Hirakawa H01R 12/716

OTHER PUBLICATIONS

USOA for U.S. Appl. No. 29/595,833, dated Apr. 5, 2018, 11 pages.

* cited by examiner

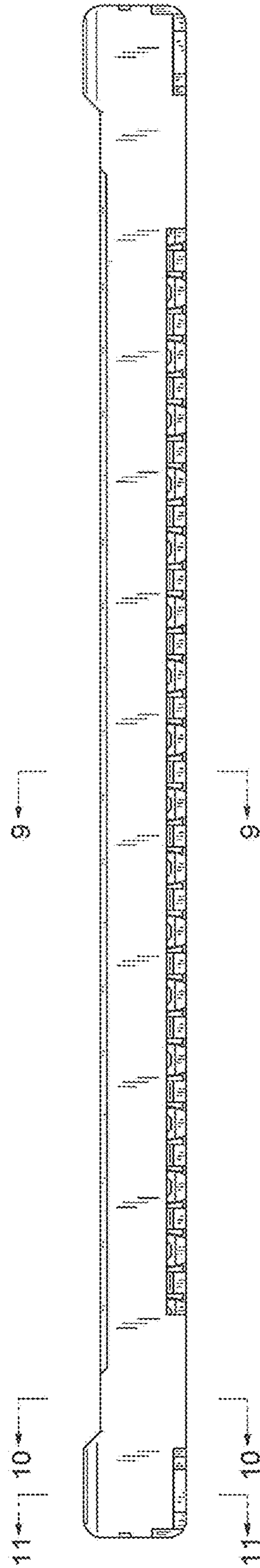


FIG. 1

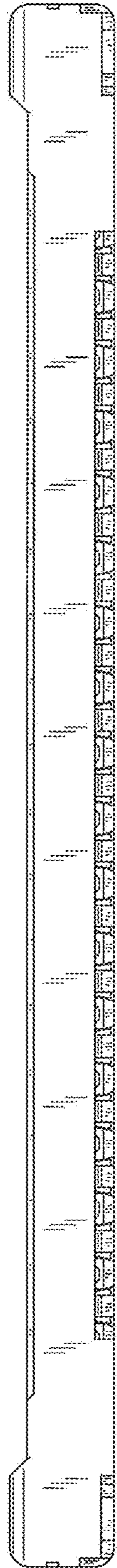


FIG. 2

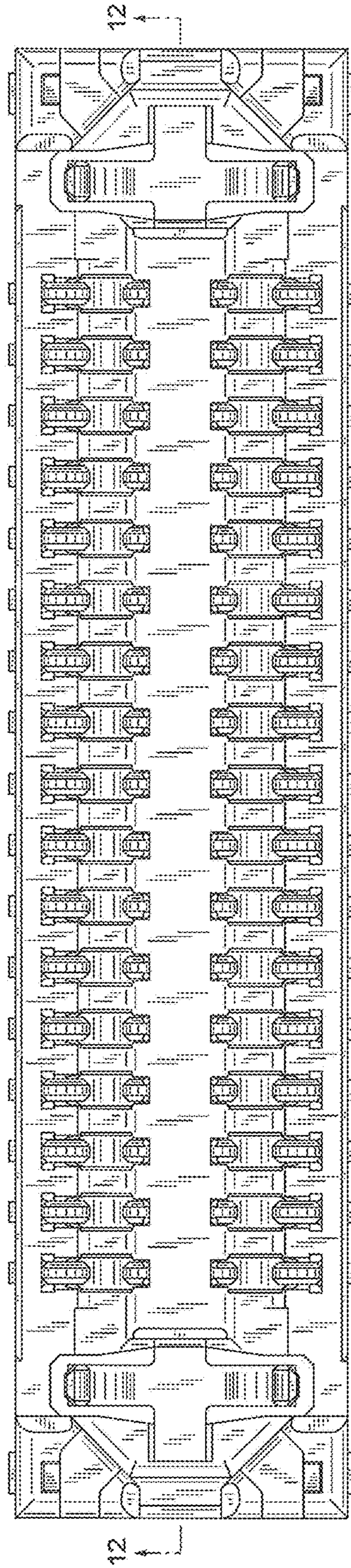


FIG. 3

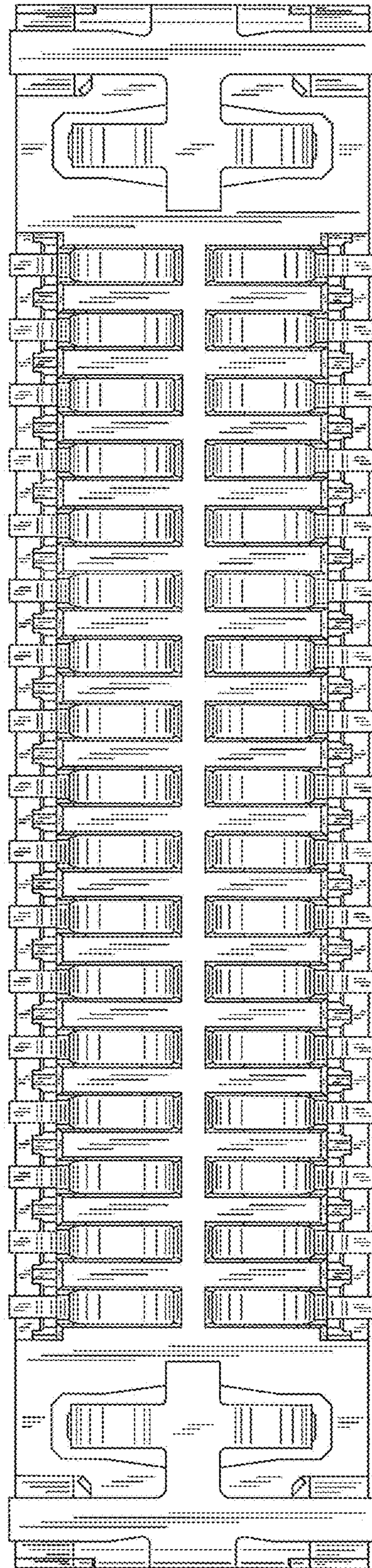


FIG. 4

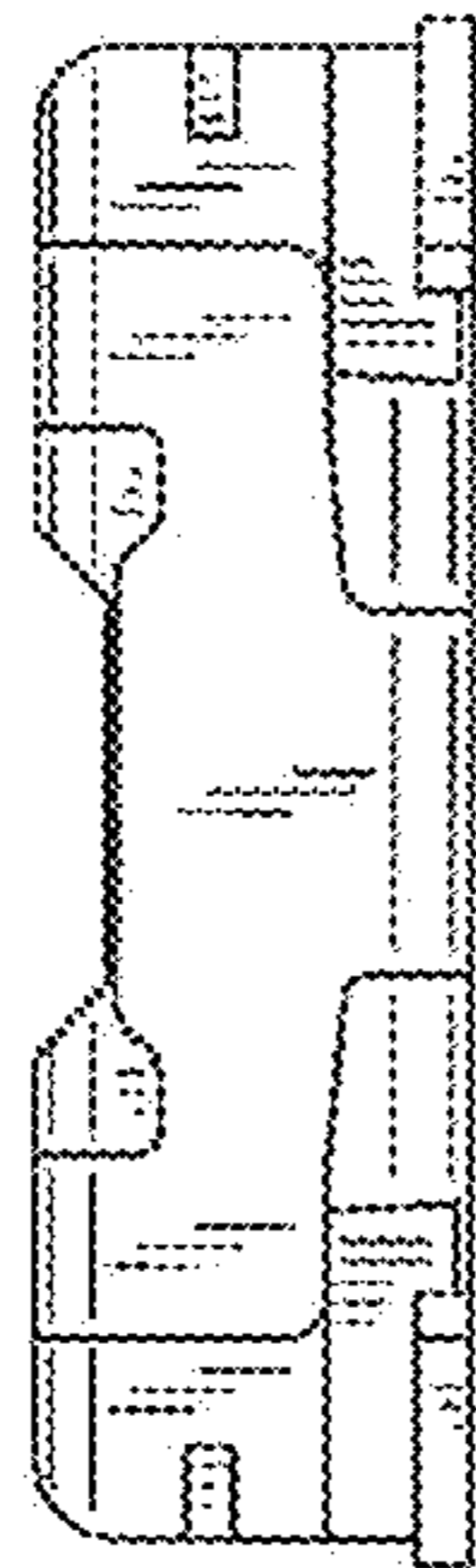


FIG. 5

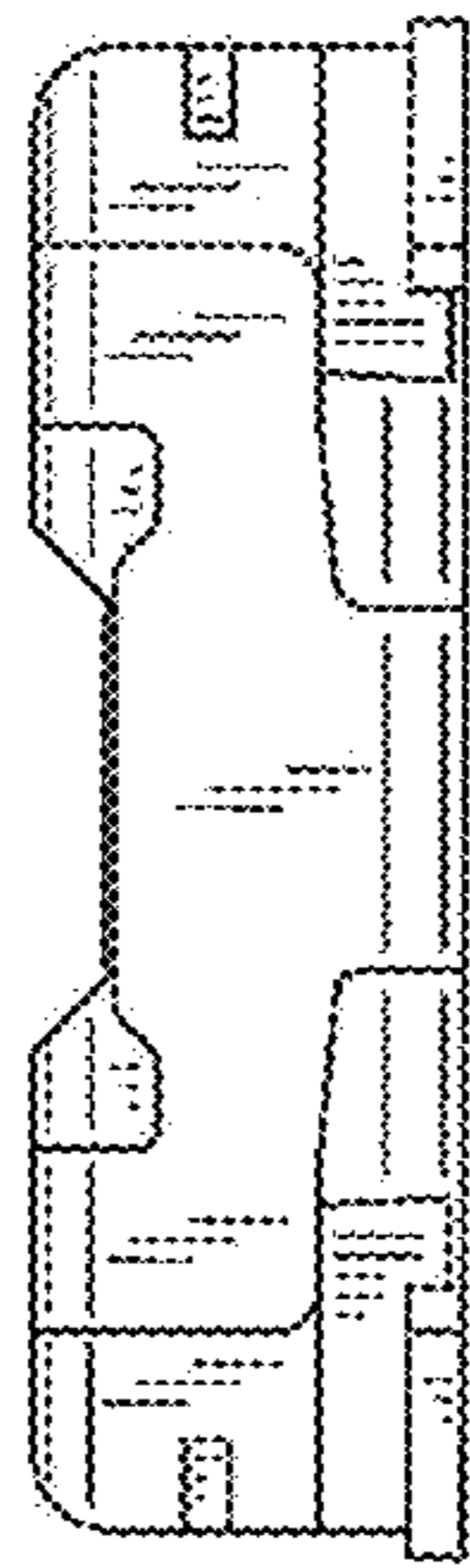


FIG. 6

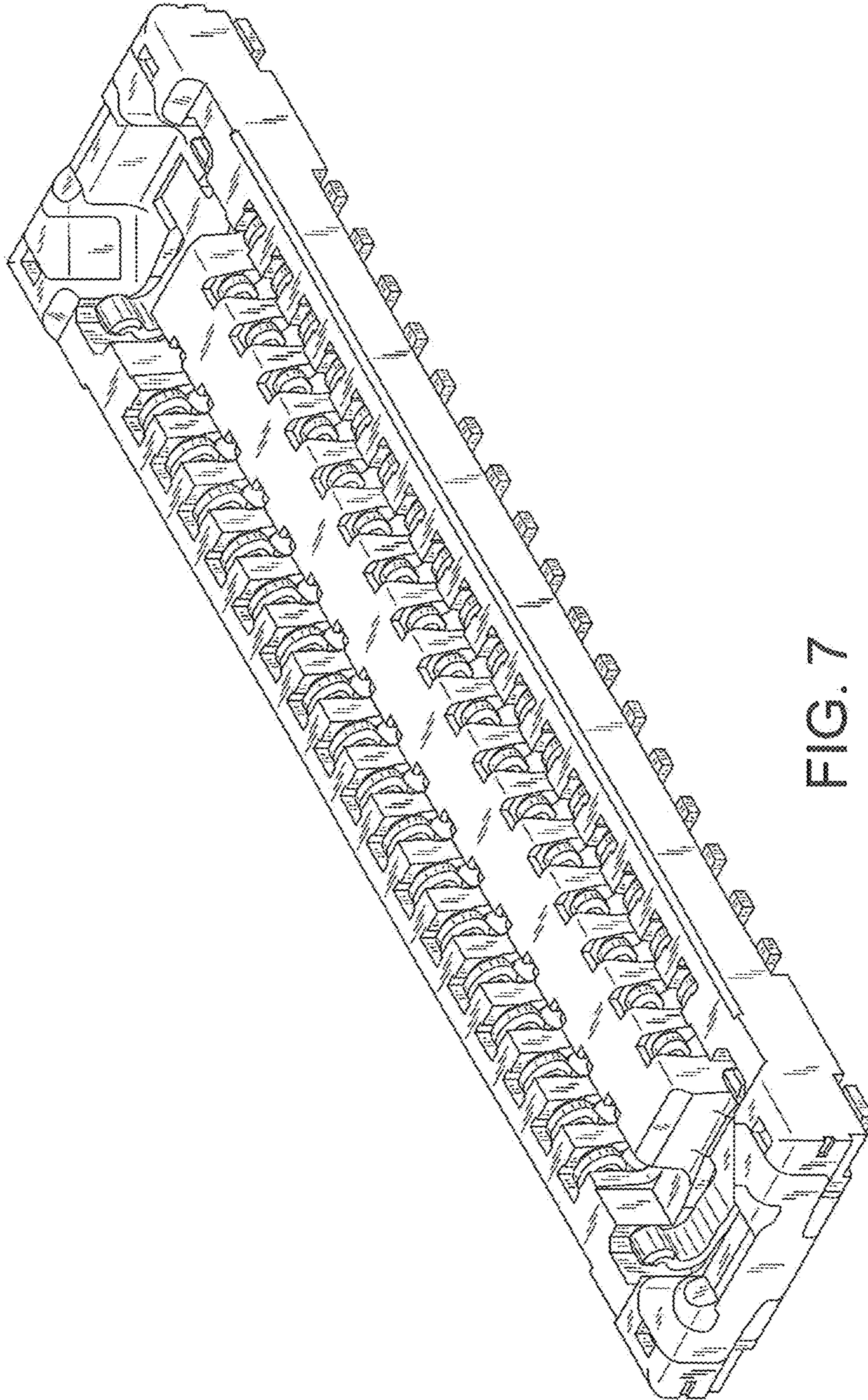


FIG. 7

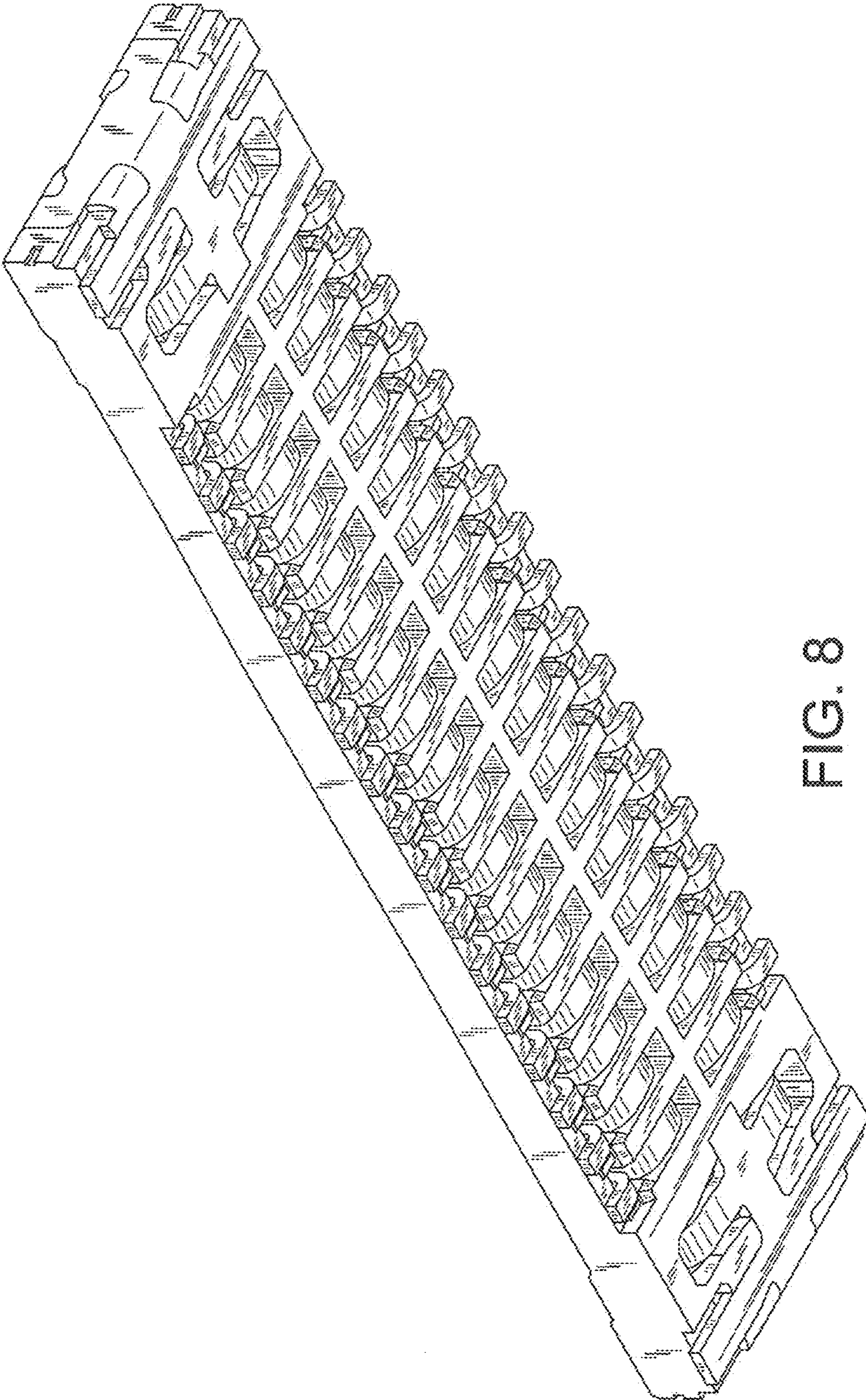


FIG. 8

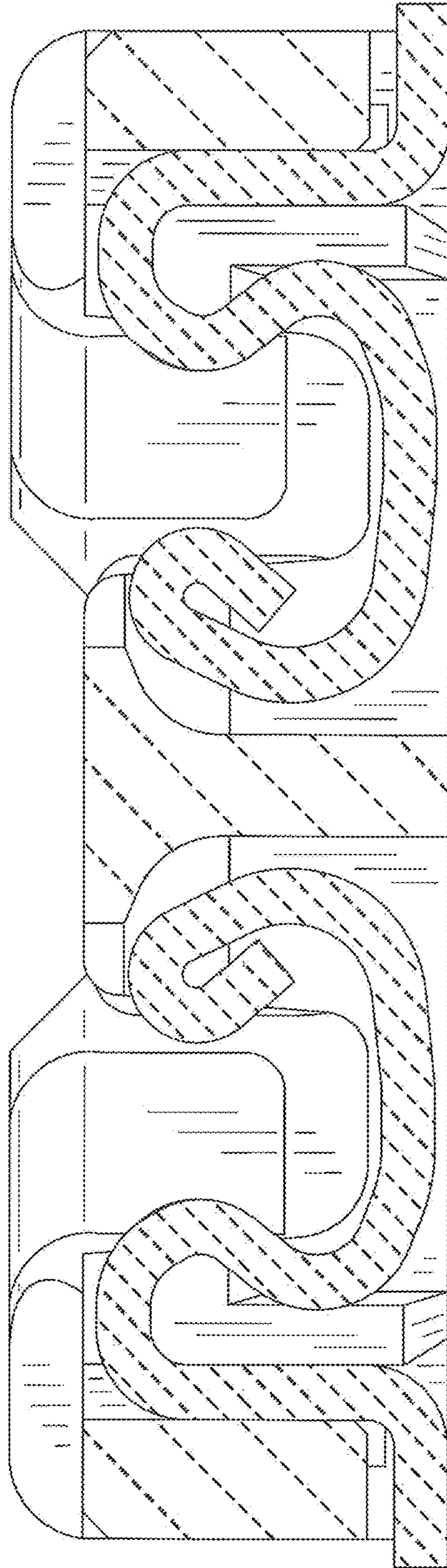


FIG. 9

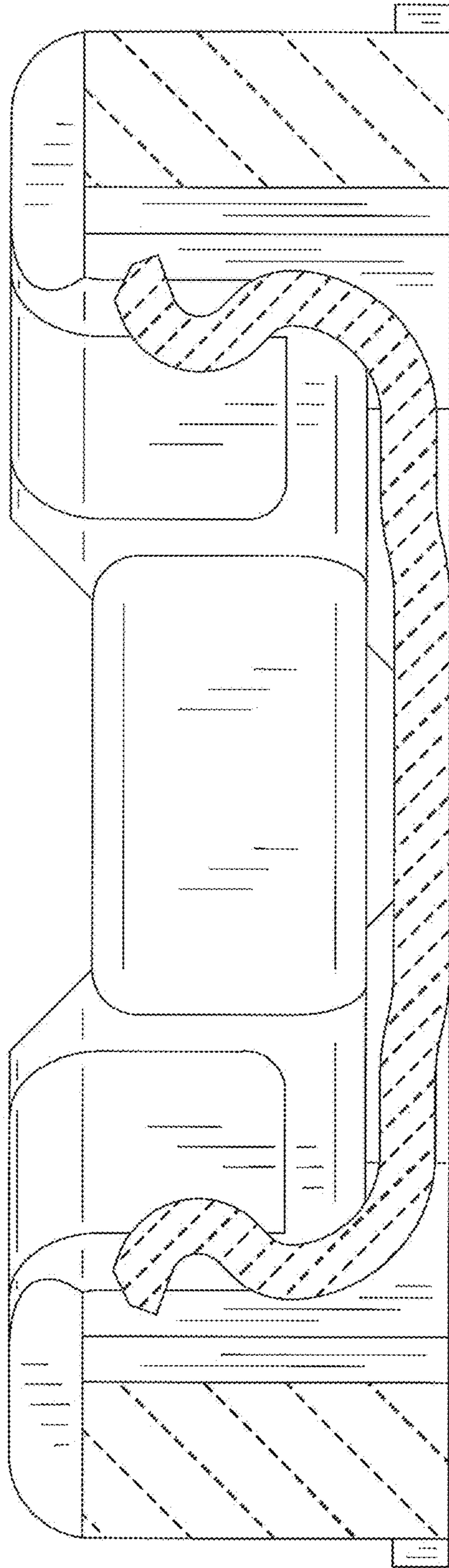


FIG. 10

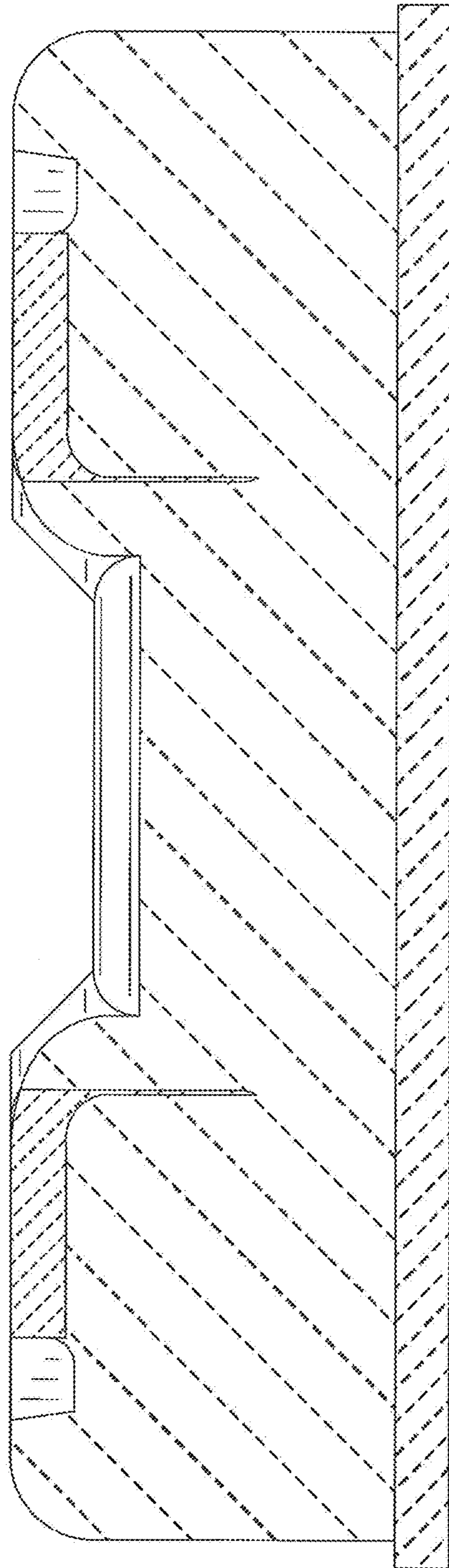


FIG. 11

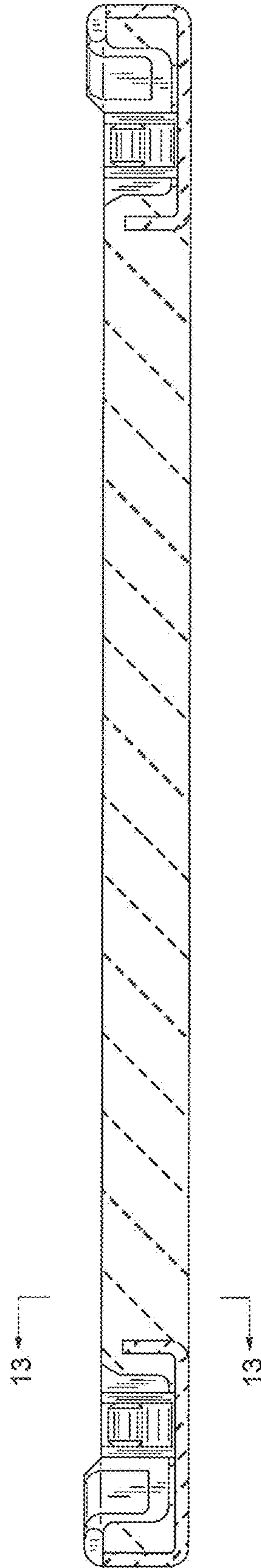


FIG. 12

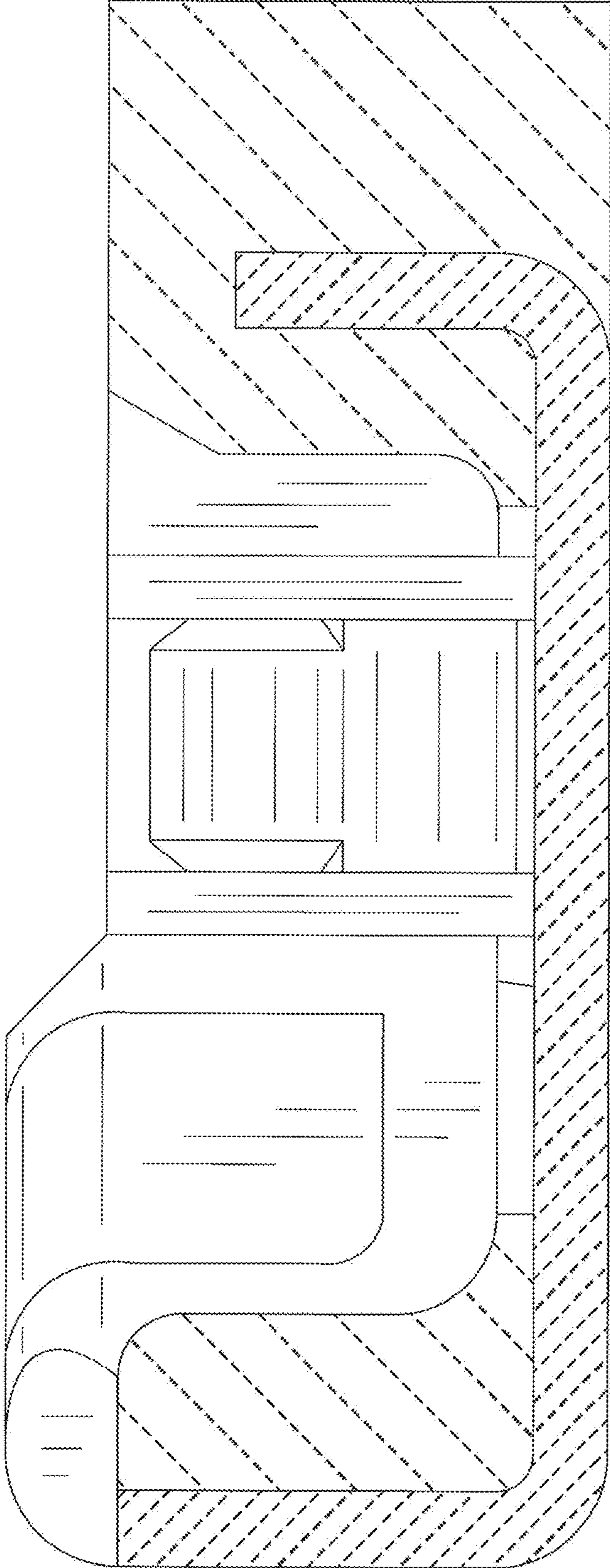


FIG. 13