



US00D824333S

(12) **United States Design Patent** (10) **Patent No.:** **US D824,333 S**
Wilcox et al. (45) **Date of Patent:** **** *Jul. 31, 2018**

(54) **TELECOMMUNICATIONS HOUSING WITH SURFACE ORNAMENTATION**

(71) Applicant: **Corning Optical Communications LLC**, Hickory, NC (US)
(72) Inventors: **Dayne Wilcox**, Menlo Park, CA (US); **Lea Kobeli**, San Francisco, CA (US); **Marie Noury**, Croix (FR); **Marcelle Van Beusekom**, San Francisco, CA (US)

(73) Assignee: **Corning Optical Communications LLC**, Hickory, NC (US)

(*) Notice: This patent is subject to a terminal disclaimer.

(**) Term: **15 Years**

(21) Appl. No.: **29/551,708**

(22) Filed: **Jan. 15, 2016**

(51) **LOC (11) Cl.** **13-03**

(52) **U.S. Cl.**
USPC **D13/133**

(58) **Field of Classification Search**
USPC D3/326; D5/1, 3, 20, 56, 57, 59, 60, 62, D5/63; D6/634, 635, 667, 675, 683, 703; D7/396.4, 546, 549, 550.1, 601, 602, 607, D7/609, 703; D9/414, 415, 416, 418, D9/420, 423, 424, 425, 432, 433, 434, D9/435, 456, 457, 500, 502-505, 516, D9/549, 550, 552, 556, 558, 561, 563, D9/571, 600, 630, 652, 690, 702, 703, D9/713, 748, 751, 756, 758, 759, 760, D9/761, 762, 763, 770, 772, 773, 901, D9/902; D11/95, 99; D14/188, 240, D14/300, 301, 308, 313, 314, 348-356, D14/364-368, 441-446, 485, 486, D14/488-489; D13/123, 133, 158, 162, D13/184, 194; D19/1, 27, 28; D20/10, D20/11, 22, 23, 27, 28, 29, 40, 42
CPC G06F 1/181; G06F 1/187; G06F 1/183; G06F 1/184; H05K 7/16; H05K 7/1424; H05K 7/1409; H05K 7/20545; H05K 7/20727; H05K 7/1425; H05K 7/1486;

(Continued)

(56) **References Cited**

U.S. PATENT DOCUMENTS

4,773,530 A * 9/1988 Holtzman B65D 25/04
206/232
5,725,146 A * 3/1998 Luberto B65D 5/6626
229/120

(Continued)

OTHER PUBLICATIONS

Corning Inc., "EDGE™ Housing", http://catalog.corning.com/opcomm/en-US/catalog/MasterProduct.aspx?cid=EDGE_housings_web&pid=130469&rot=fiber_optic_hardware_web&context=;CCS_Global_Web_Catalog;fiber_optic_hardware_web;rack_mountable_hardware_web;EDGE_hardware_web;EDGE_housings_web, accessed Apr. 19, 2016.

Primary Examiner — Jennifer Rivard
Assistant Examiner — Catherine S Posthauer

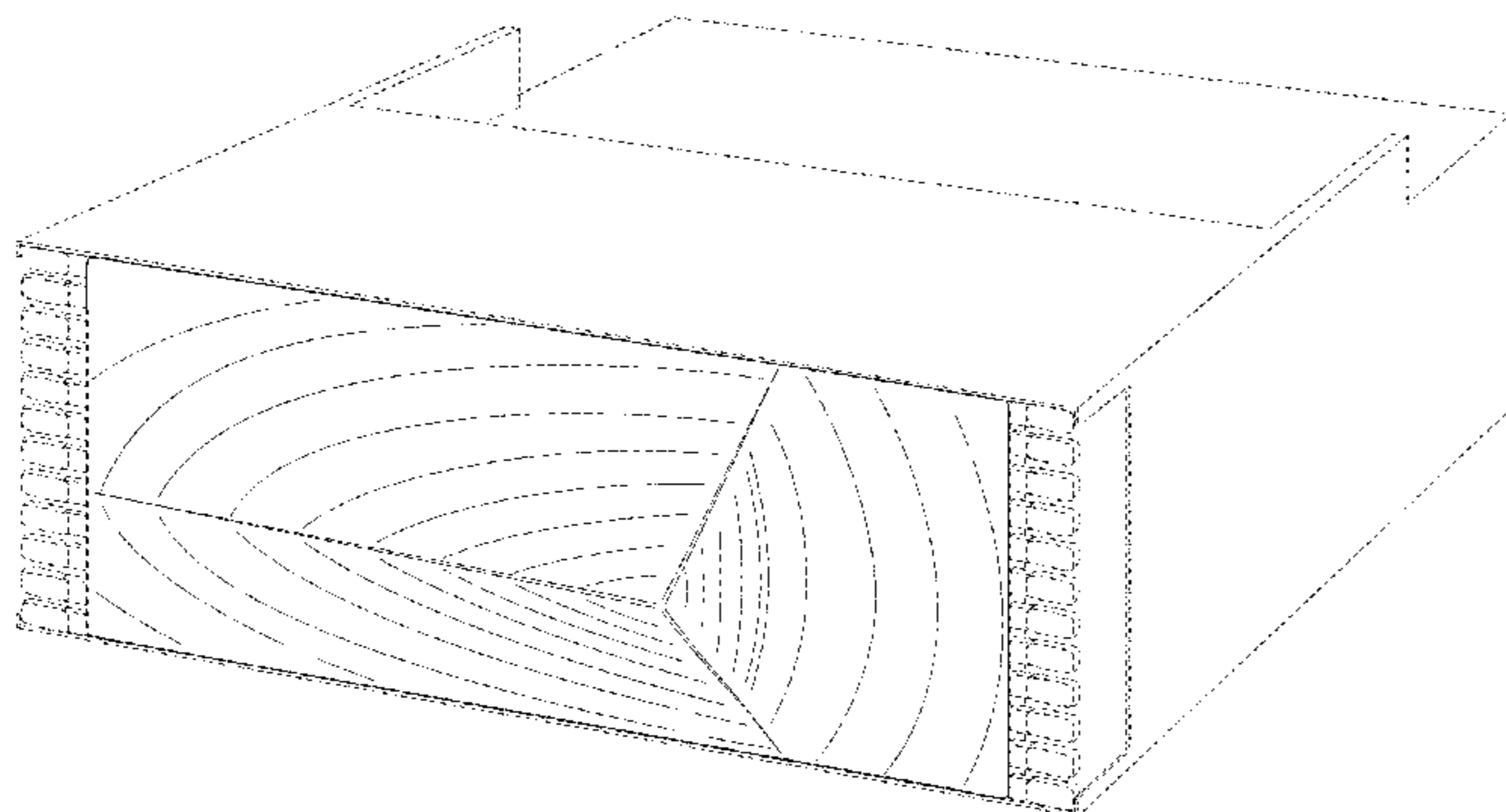
(57) **CLAIM**

The ornamental design for a telecommunications housing with surface ornamentation, as shown and described.

DESCRIPTION

FIG. 1 is a front perspective view of a telecommunications housing with surface ornamentation showing our new design;
FIG. 2 is a front view thereof;
FIG. 3 is a rear view thereof;
FIG. 4 is a right view thereof;
FIG. 5 is a left view thereof;
FIG. 6 is a top view thereof; and,
FIG. 7 is a bottom view thereof.
The broken lines in the drawings are included for the purpose of illustrating environmental structure and form no part of the claimed design.

1 Claim, 5 Drawing Sheets



(58) **Field of Classification Search**

CPC H05K 7/183; H05K 5/00; G11B 33/126;
 G11B 33/128; G11B 33/08; G11B 33/02;
 B65D 5/00-5/02; B65D 5/0209-5/0272;
 B65D 5/029; B65D 5/40; B65D 5/72;
 B65D 5/541; B65D 5/727; B65D 5/705;
 B65D 5/706; B65D 5/4204; B65D 1/00;
 B65D 1/02; B65D 1/0223; B65D 1/22;
 B65D 1/34; B65D 1/36; B65D 1/40;
 B65D 1/225; B65D 23/00; B65D 23/12;
 B65D 23/14; B65D 2203/00; B65D
 2203/02; B65D 2501/0009; B65D
 2543/00296; B65D 77/24; B65D 15/08;
 B65D 65/22; B65D 2577/205; B65D
 79/00; B65D 81/00; B65D 82/00; B65D
 85/00; B65D 2585/00; A45D 40/22;
 G02B 6/4463; G02B 6/443; G02B 6/44

See application file for complete search history.

(56) **References Cited**

U.S. PATENT DOCUMENTS

5,784,252 A * 7/1998 Villa G06F 1/184
 361/679.58
 D449,299 S 10/2001 Lord
 D449,824 S 10/2001 Higa et al.
 D450,686 S 11/2001 Beaumont et al.
 D471,543 S 3/2003 Yang et al.
 D476,764 S 7/2003 Khovaylo et al.
 D484,469 S 12/2003 Thibault
 D515,095 S * 2/2006 Breitbarth D14/441
 D540,788 S * 4/2007 McIntosh D14/301
 D549,663 S 8/2007 Tsou et al.
 D552,081 S 10/2007 Yano
 D564,523 S * 3/2008 Chen D14/442
 D571,736 S 6/2008 Copeland et al.
 D593,102 S * 5/2009 Dearborn D14/313
 D616,815 S 6/2010 Jadraque Aznarez et al.
 D620,898 S 8/2010 Wang
 D625,719 S 10/2010 Carroll et al.
 D631,448 S 1/2011 Wang
 7,864,520 B1 * 1/2011 Liu G06F 1/181
 361/679.33
 D637,162 S 5/2011 Bridgman

D644,185 S 8/2011 Hargreaves
 D650,785 S * 12/2011 Terwilliger D14/441
 D674,785 S 1/2013 Kyriakides, II
 D675,160 S * 1/2013 Tanaka D13/110
 D682,280 S * 5/2013 Vaughan D14/444
 D688,657 S 8/2013 Hallar et al.
 D697,513 S 1/2014 Morooka et al.
 D700,612 S * 3/2014 Kuehn D14/444
 D701,199 S * 3/2014 Drew D14/301
 D714,136 S * 9/2014 Stepanov D9/432
 D719,128 S * 12/2014 Teulie D14/188
 D719,958 S * 12/2014 Dallmeyer D14/441
 D720,693 S 1/2015 Dasbach
 D720,694 S 1/2015 Dasbach
 D721,035 S 1/2015 Dasbach
 D722,021 S 2/2015 Dasbach
 D722,022 S 2/2015 Dasbach
 D723,566 S 3/2015 Ferguson et al.
 D724,079 S * 3/2015 Probst D14/348
 D732,010 S 6/2015 Hsiau
 D732,041 S 6/2015 Conn et al.
 D733,118 S * 6/2015 Ng D14/313
 D740,293 S * 10/2015 Kuehn D14/444
 D754,096 S * 4/2016 Teulie D14/188
 D754,667 S * 4/2016 Kwon D14/445
 D755,780 S * 5/2016 Lin D14/301
 D758,969 S * 6/2016 Kato D13/123
 D761,247 S * 7/2016 Otsuka D14/313
 D765,657 S * 9/2016 Lucaci D14/349
 D767,545 S * 9/2016 Jeon D14/240
 D767,546 S * 9/2016 Kwak D14/240
 D784,288 S * 4/2017 Teulie D14/188
 D784,319 S * 4/2017 Wallace D14/301
 D784,320 S * 4/2017 Wallace D14/301
 D791,774 S * 7/2017 Wilcox D14/444
 D794,566 S * 8/2017 Nada D13/123
 D795,244 S * 8/2017 Zimmermann D14/313
 2002/0179700 A1 * 12/2002 Waldburger B65D 5/0254
 229/129.1
 2003/0151891 A1 * 8/2003 Paul G06F 1/184
 361/679.61
 2003/0235030 A1 * 12/2003 Kwong G06F 1/184
 361/679.33
 2015/0033953 A1 2/2015 Fung et al.
 2015/0049435 A1 * 2/2015 Fan H05K 7/20727
 361/695

* cited by examiner

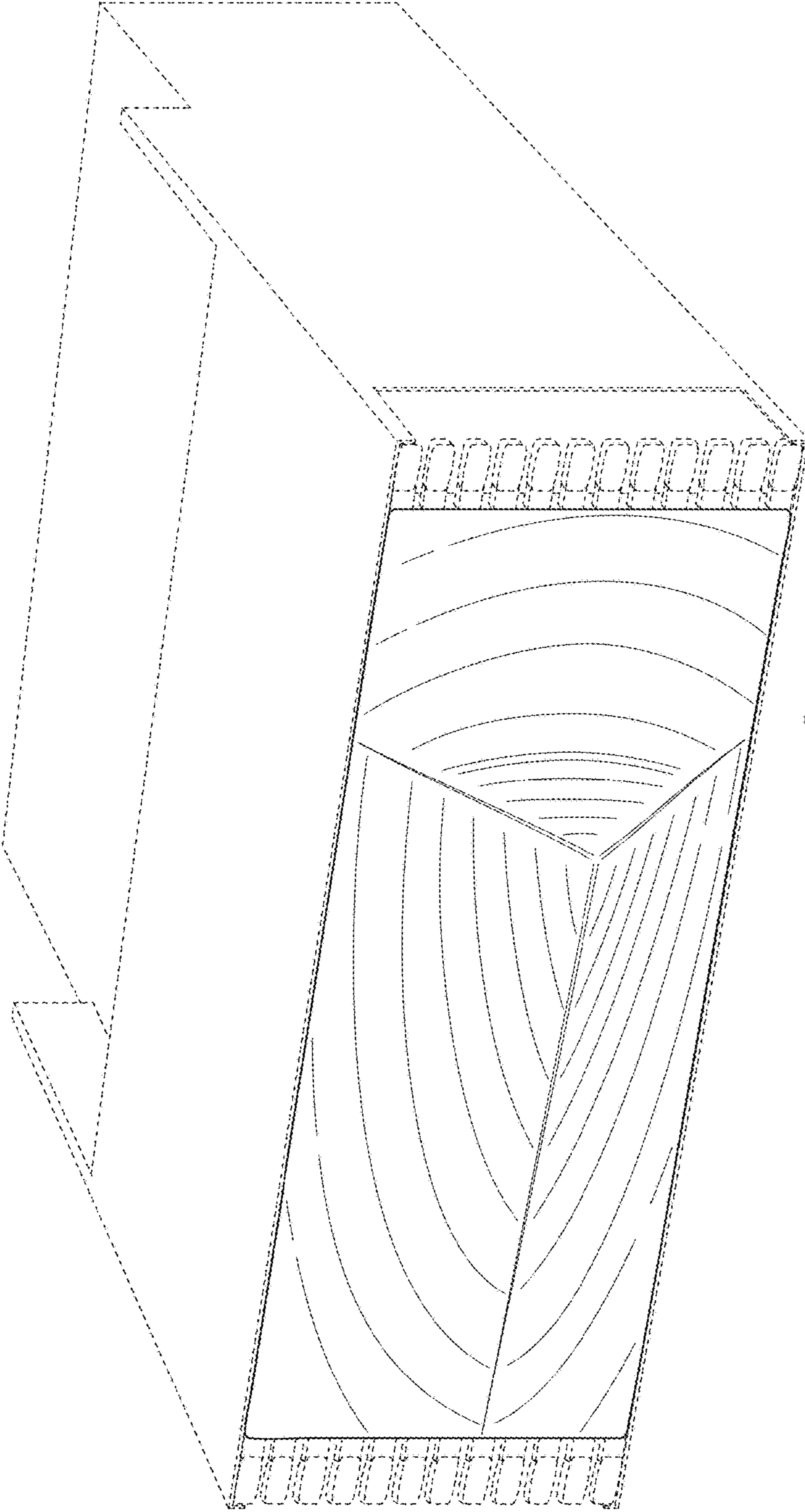


FIG. 1

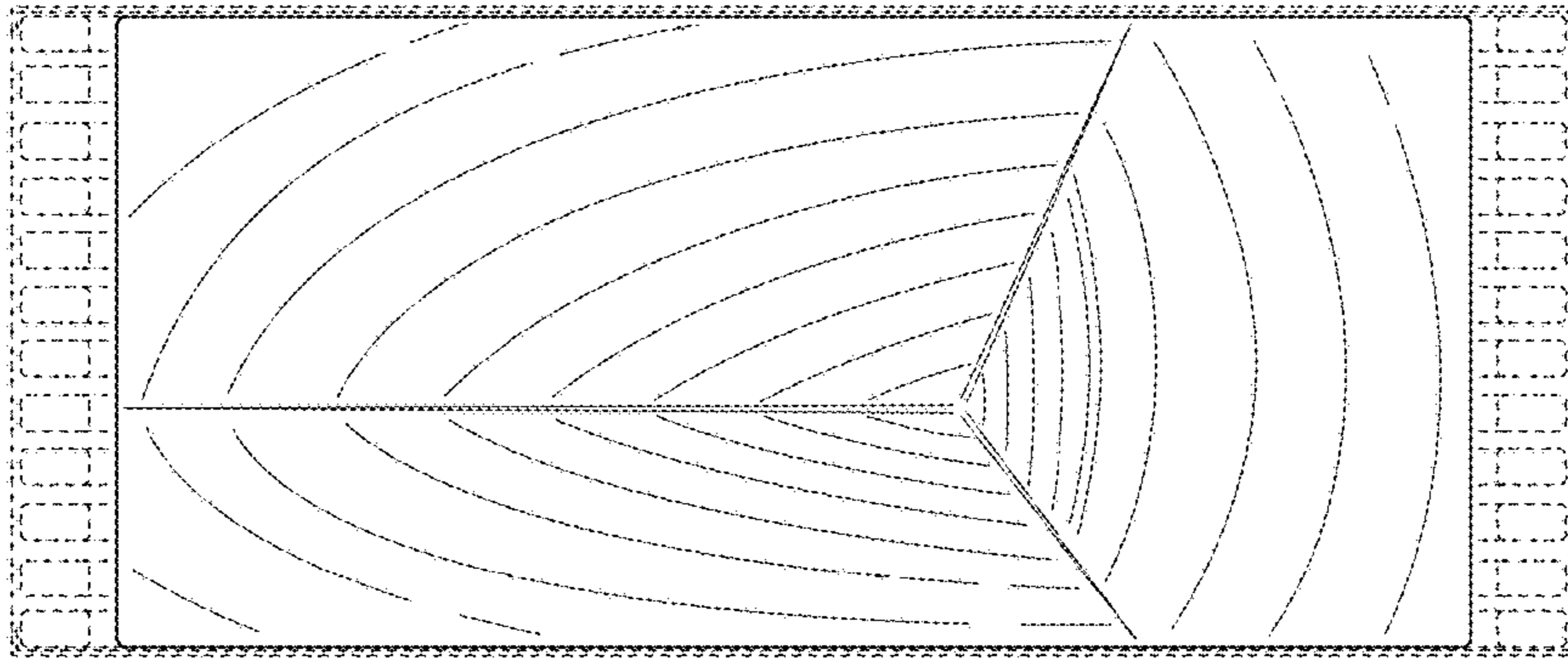


FIG. 2

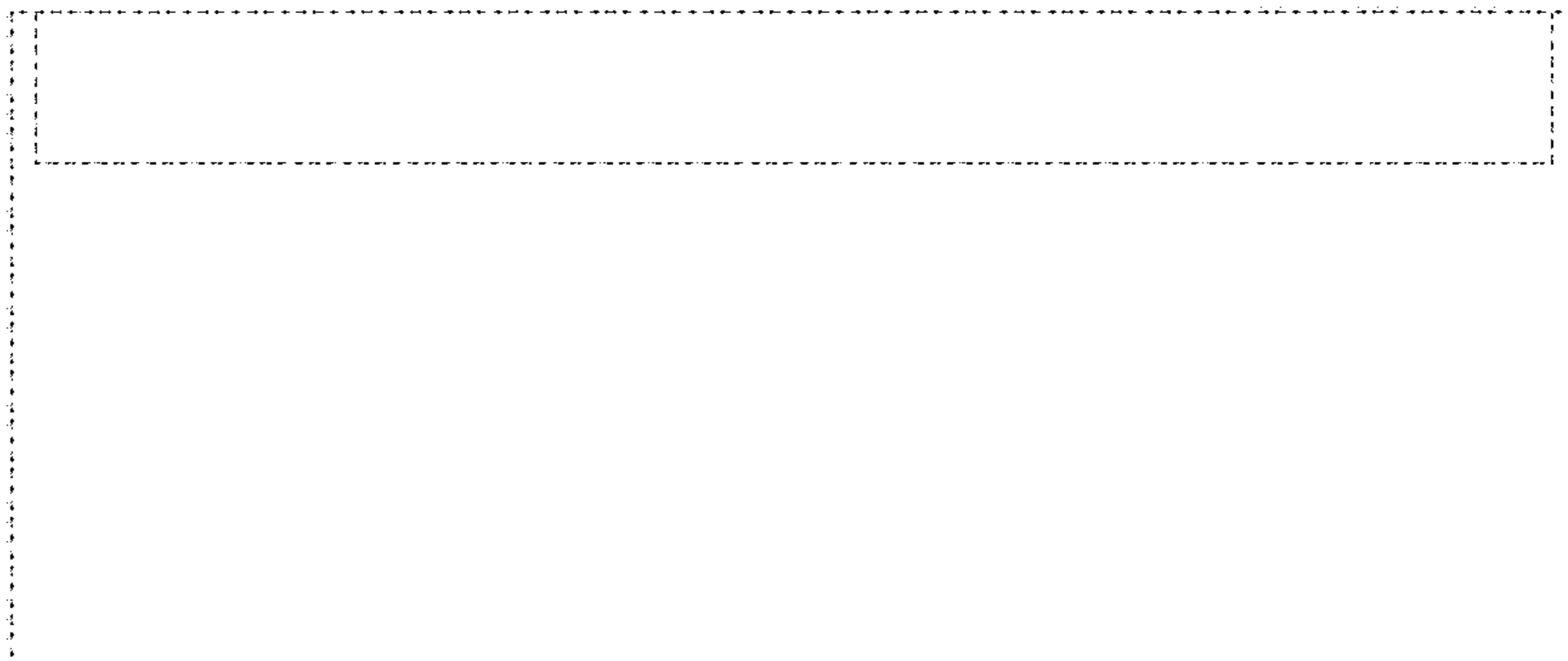


FIG. 3



FIG. 4



FIG. 5

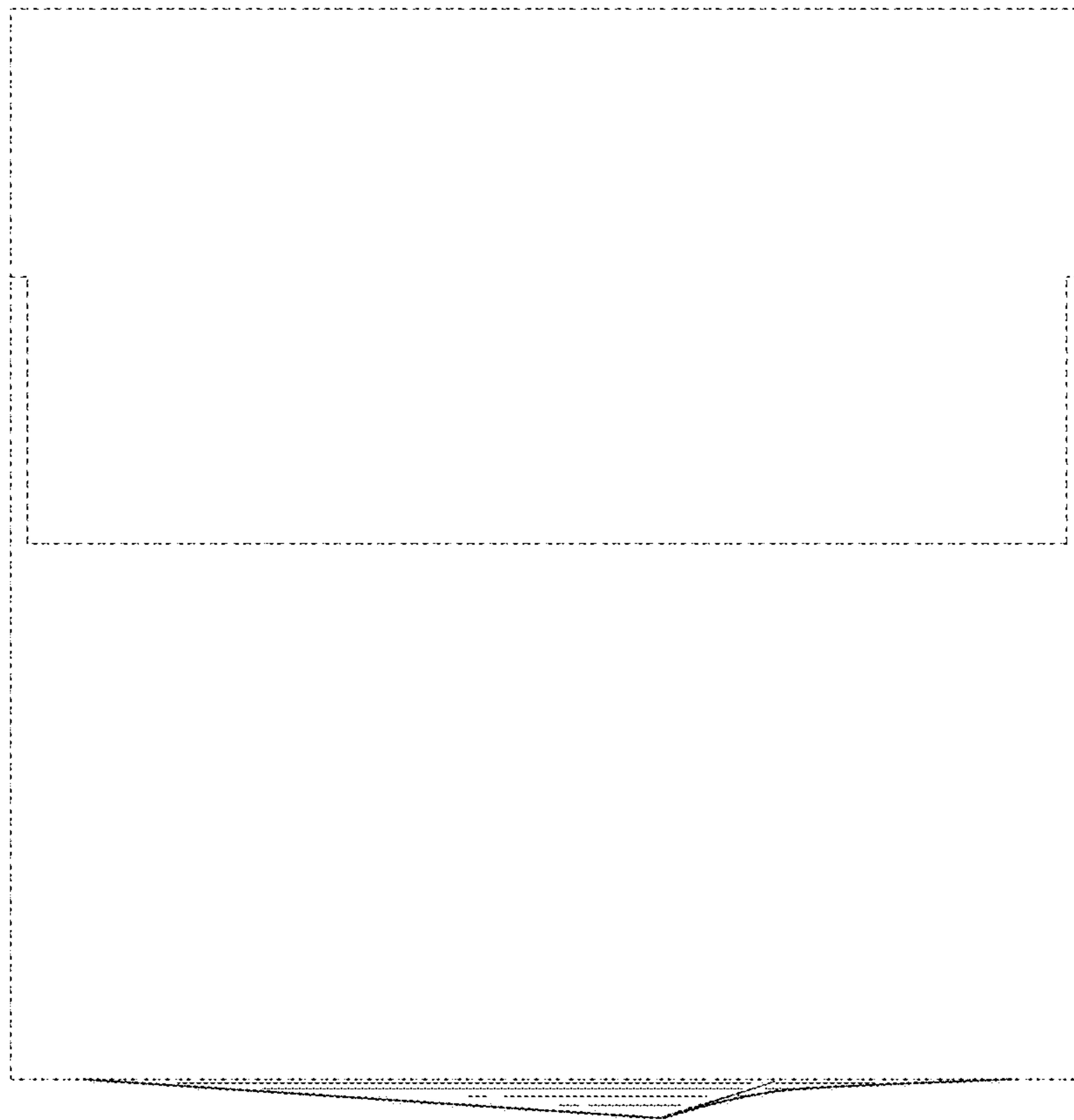


FIG. 6

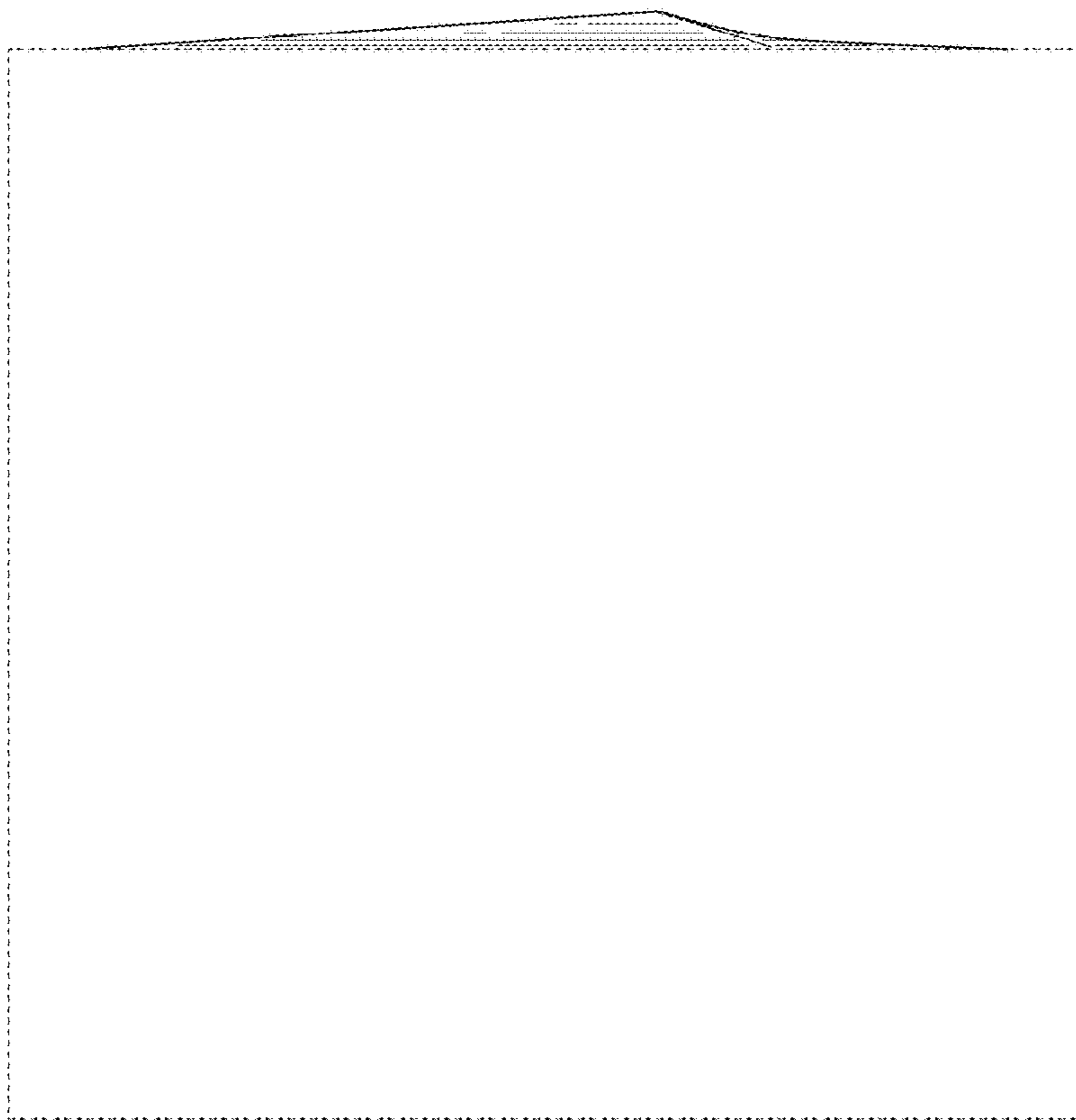


FIG. 7