



US00D824332S

(12) **United States Design Patent**
Ackerman

(10) **Patent No.:** **US D824,332 S**
(45) **Date of Patent:** **** Jul. 31, 2018**

(54) **STRAIN RELIEF FOR USB CABLE CONNECTOR**

(71) Applicant: **Omer Ackerman**, New York, NY (US)

(72) Inventor: **Omer Ackerman**, New York, NY (US)

(**) Term: **15 Years**

(21) Appl. No.: **29/561,370**

(22) Filed: **Apr. 15, 2016**

(51) **LOC (11) Cl.** **13-03**

(52) **U.S. Cl.**
USPC **D13/117**

(58) **Field of Classification Search**
USPC D13/133, 146, 147, 154, 156, 184, 199;
D14/432, 433, 434, 435.1, 438
CPC H01R 9/03; H01R 12/81; H01R 23/661;
H01R 24/60; H01R 24/62; H01R 24/64;
H01R 27/00; H01R 43/00; H01R 43/24
See application file for complete search history.

(56) **References Cited**

U.S. PATENT DOCUMENTS

D672,315 S * 12/2012 Naito D13/147
D676,389 S * 2/2013 Worth D13/147

D680,076 S * 4/2013 McManigal D13/147
D716,235 S * 10/2014 Tien D13/147
2013/0084760 A1 * 4/2013 Siahaan H01R 13/03
439/887
2014/0322956 A1 * 10/2014 Naito H01R 13/6582
439/370

* cited by examiner

Primary Examiner — Daniel Bui

(74) *Attorney, Agent, or Firm* — Ezra Sutton

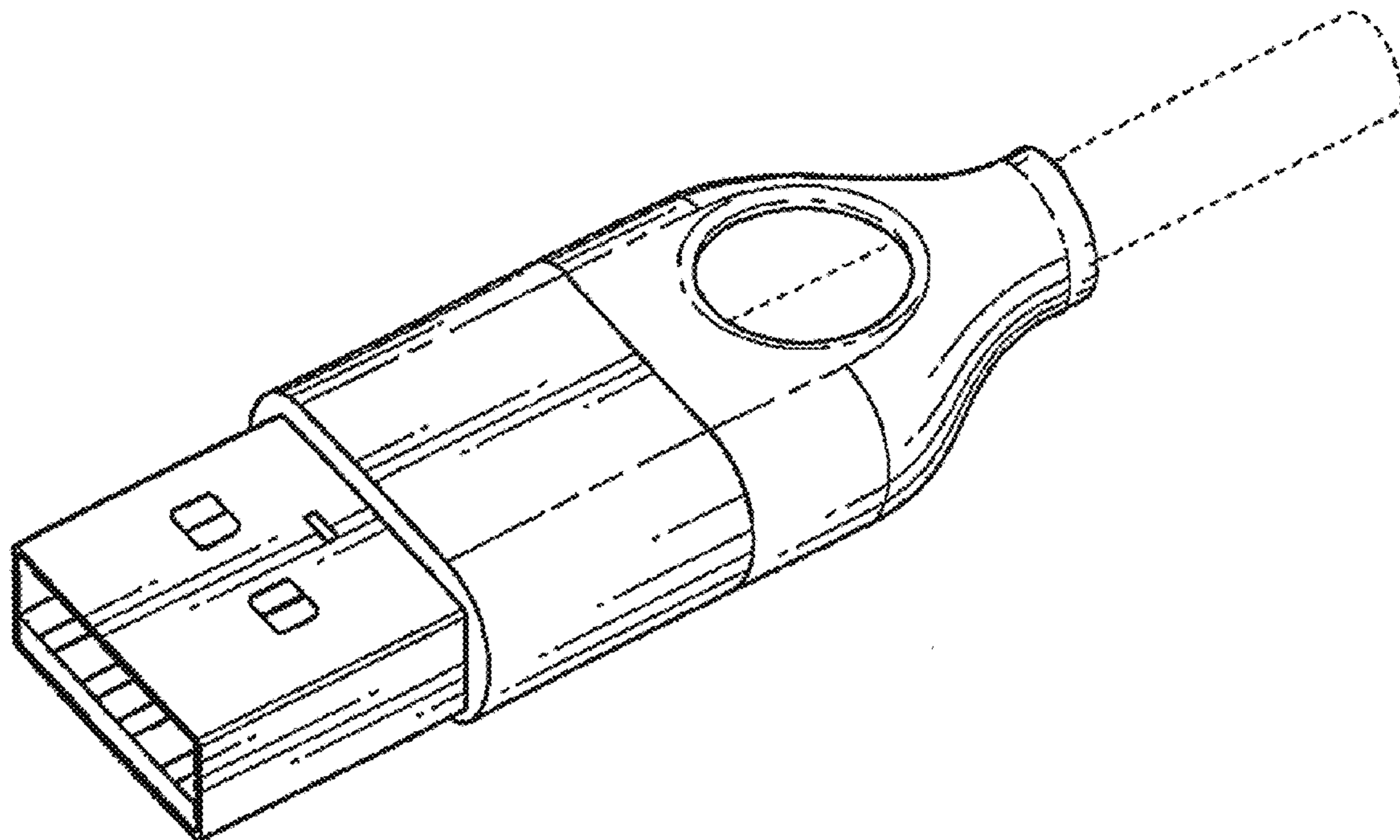
(57) **CLAIM**

The ornamental design for the strain relief for USB cable connector, as shown and described.

DESCRIPTION

FIG. 1 is a front perspective view of a strain relief for USB cable connector showing my new design; FIG. 2 is a front elevational view thereof; FIG. 3 is a rear elevational view thereof; FIG. 4 is a side elevational view thereof; FIG. 5 is a top plan view thereof; and, FIG. 6 is a bottom plan view thereof. The broken line portion of the figure drawings is included for the purpose of illustrating environment and forms no part of the claimed design.

1 Claim, 2 Drawing Sheets



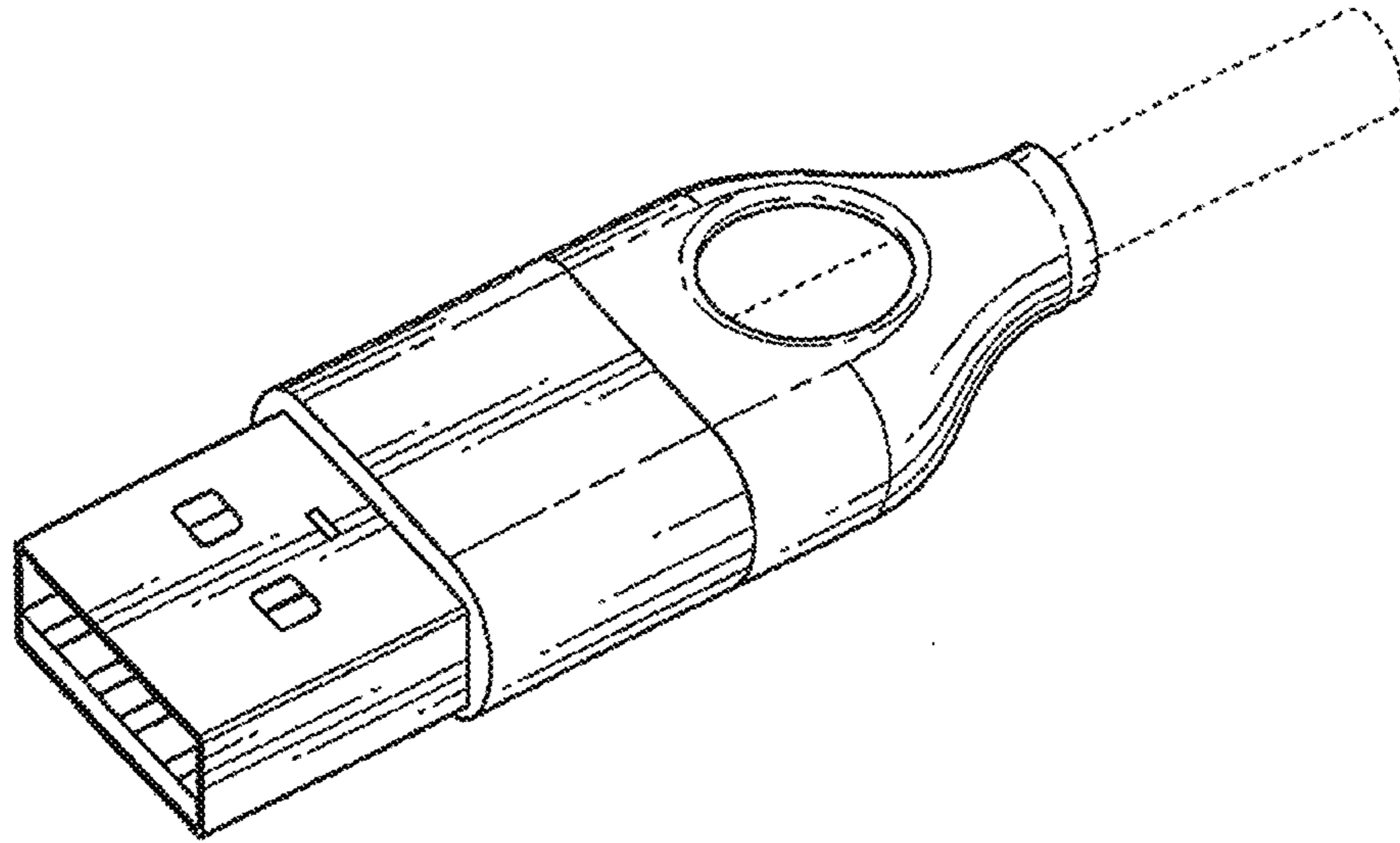


FIG. 1

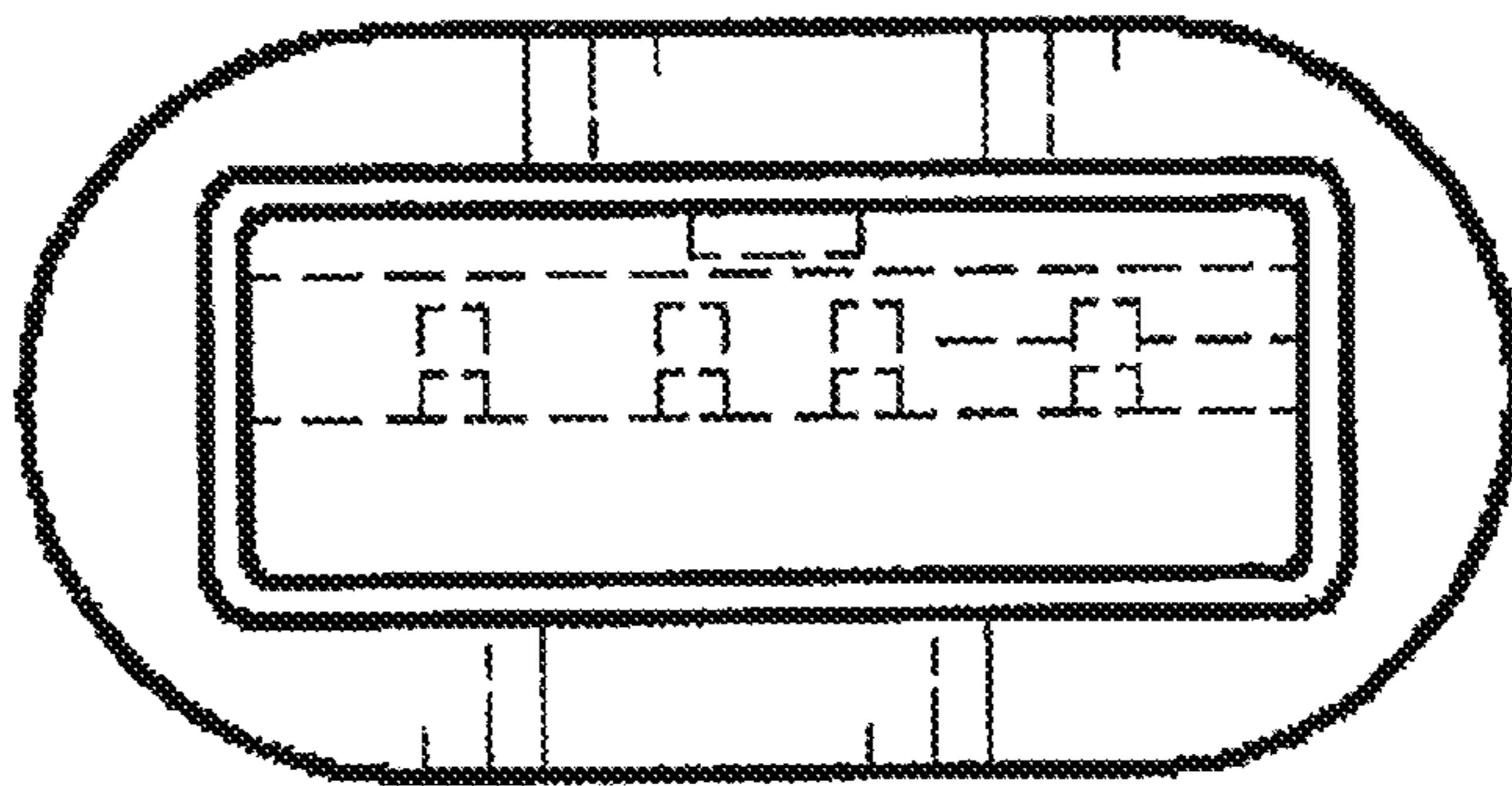


FIG. 2

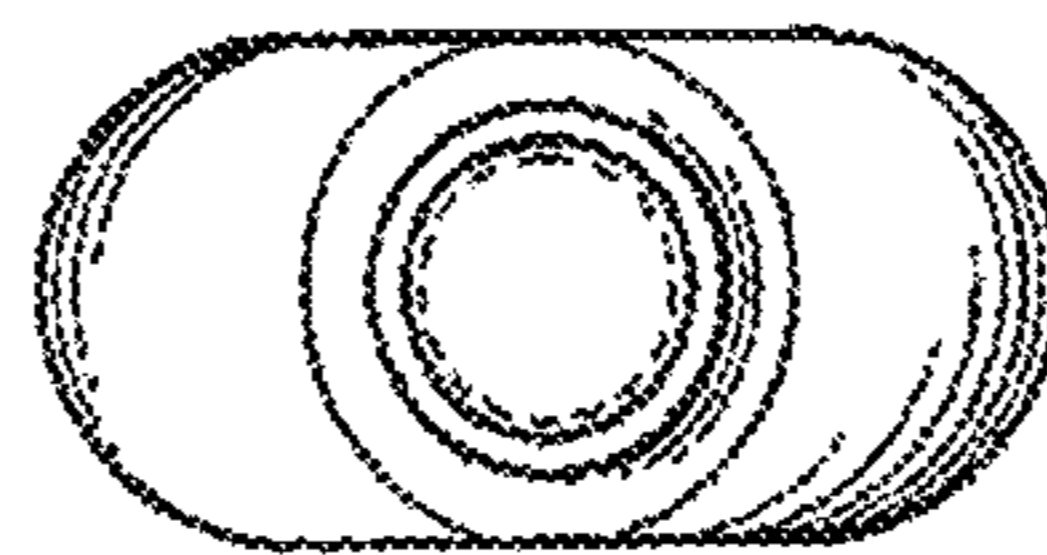


FIG. 3

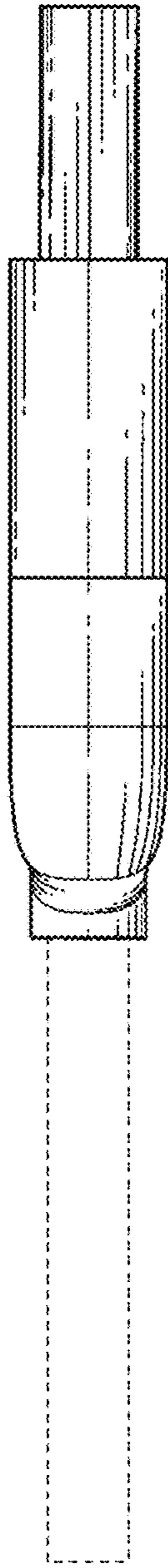


FIG. 4

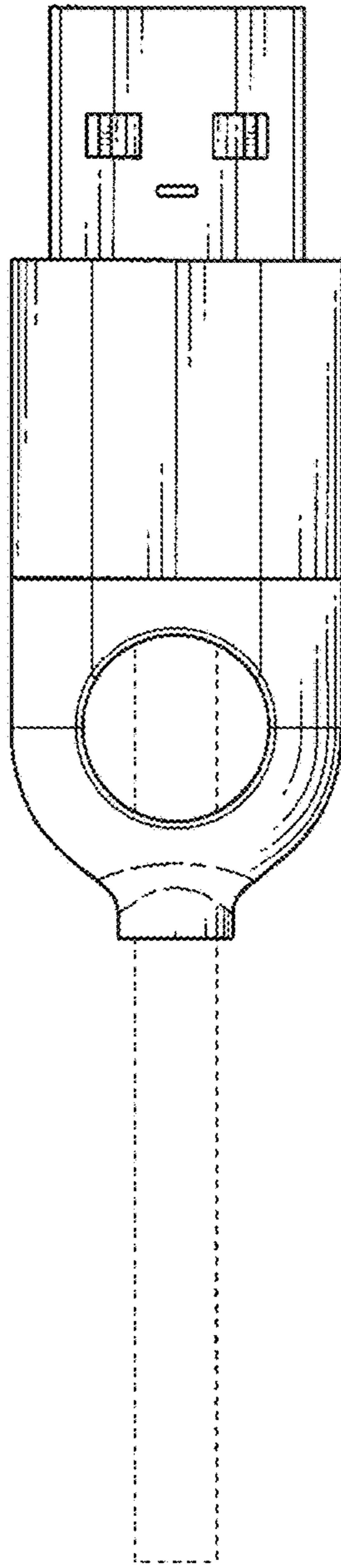


FIG. 5

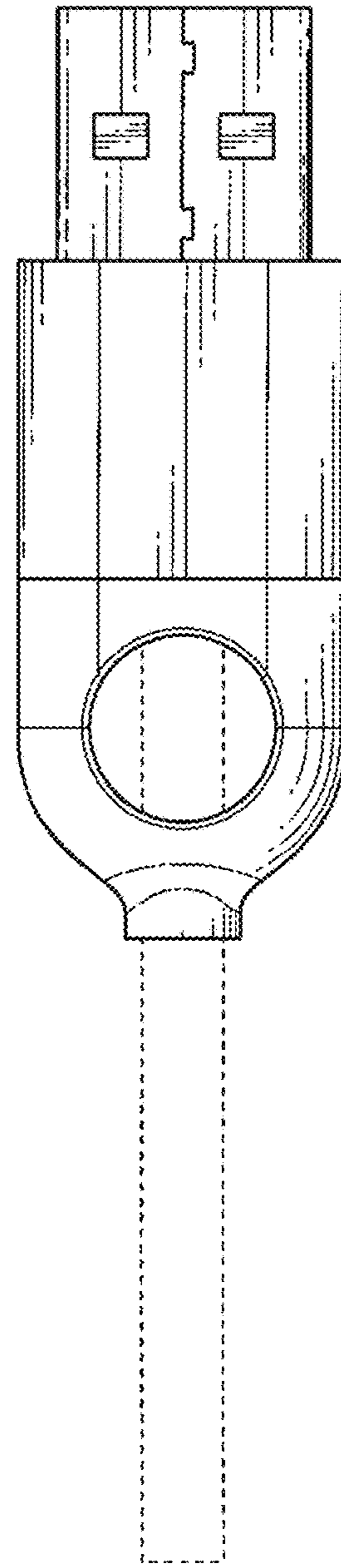


FIG. 6