



US00D824331S

(12) **United States Design Patent**
Schuenemann

(10) **Patent No.:** **US D824,331 S**
(45) **Date of Patent:** **** Jul. 31, 2018**

(54) **WIND TURBINE**

(71) Applicant: **EUNICE WIND PARK HOLDINGS (INT.) LIMITED**, Nicosia (CY)

(72) Inventor: **Arno Schuenemann**, Berlin (DE)

(**) Term: **15 Years**

(21) Appl. No.: **35/501,638**

(22) Filed: **Mar. 28, 2016**

(80) **Hague Agreement Data**

Int. Filing Date: **Mar. 28, 2016**

Int. Reg. No.: **DM/092000**

Int. Reg. Date: **Mar. 28, 2016**

Int. Reg. Pub. Date: **Sep. 30, 2016**

(51) **LOC (11) Cl.** **13-01**

(52) **U.S. Cl.**
USPC **D13/115**

(58) **Field of Classification Search**
USPC D13/115, 184, 182, 155, 152, 122;
136/245
CPC F04D 25/0606
See application file for complete search history.

(56) **References Cited**

U.S. PATENT DOCUMENTS

- D517,986 S * 3/2006 Wobben D13/115
- D602,861 S * 10/2009 Talab D13/115
- 7,850,513 B1 * 12/2010 Parker F04D 25/0606
136/245
- D639,239 S * 6/2011 Gudewer D13/115
- D639,240 S * 6/2011 Gudewer D13/115
- D657,744 S * 4/2012 Lee D13/115

- D658,124 S * 4/2012 Lee D13/115
- D664,922 S * 8/2012 La Pegna D13/115
- D671,071 S * 11/2012 Ai D13/115
- D679,246 S * 4/2013 Wesby D13/115
- D695,683 S * 12/2013 Al D13/115
- D698,726 S * 2/2014 Mogensen D13/115
- D699,184 S * 2/2014 Christoffersen D13/115
- D709,452 S * 7/2014 Mogensen D13/115
- D717,730 S * 11/2014 Munk-Hansen D13/115
- D722,965 S * 2/2015 Perless D13/115
- D724,027 S * 3/2015 Bitsch D13/115
- D738,305 S * 9/2015 Gochev D13/115
- D750,560 S * 3/2016 Altmikus D13/115
- D794,564 S * 8/2017 Graefe D13/115

* cited by examiner

Primary Examiner — Rhea Shields

(74) *Attorney, Agent, or Firm* — Sughrue Mion, PLLC

(57) **CLAIM**

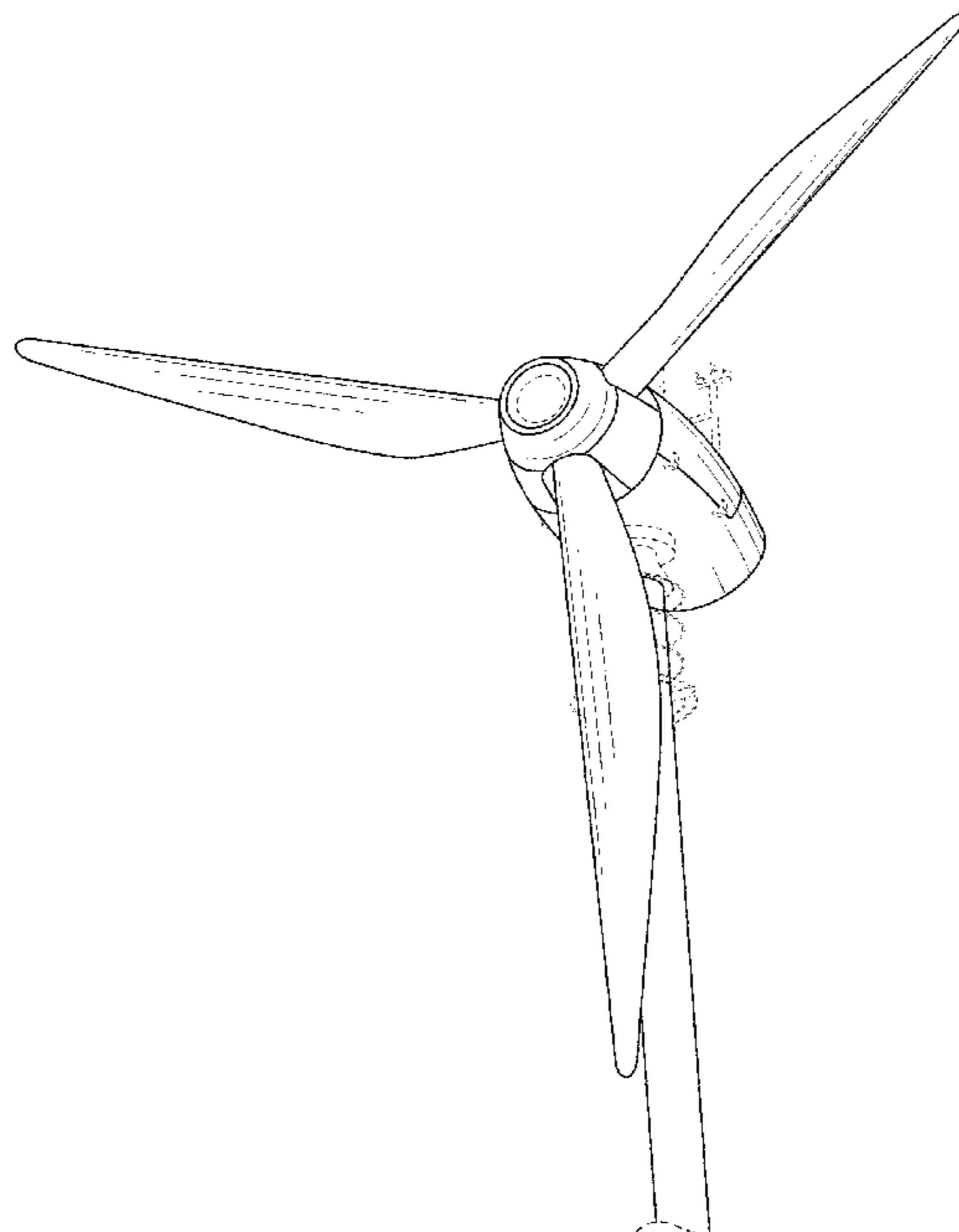
The ornamental design for a wind turbine, as shown and described.

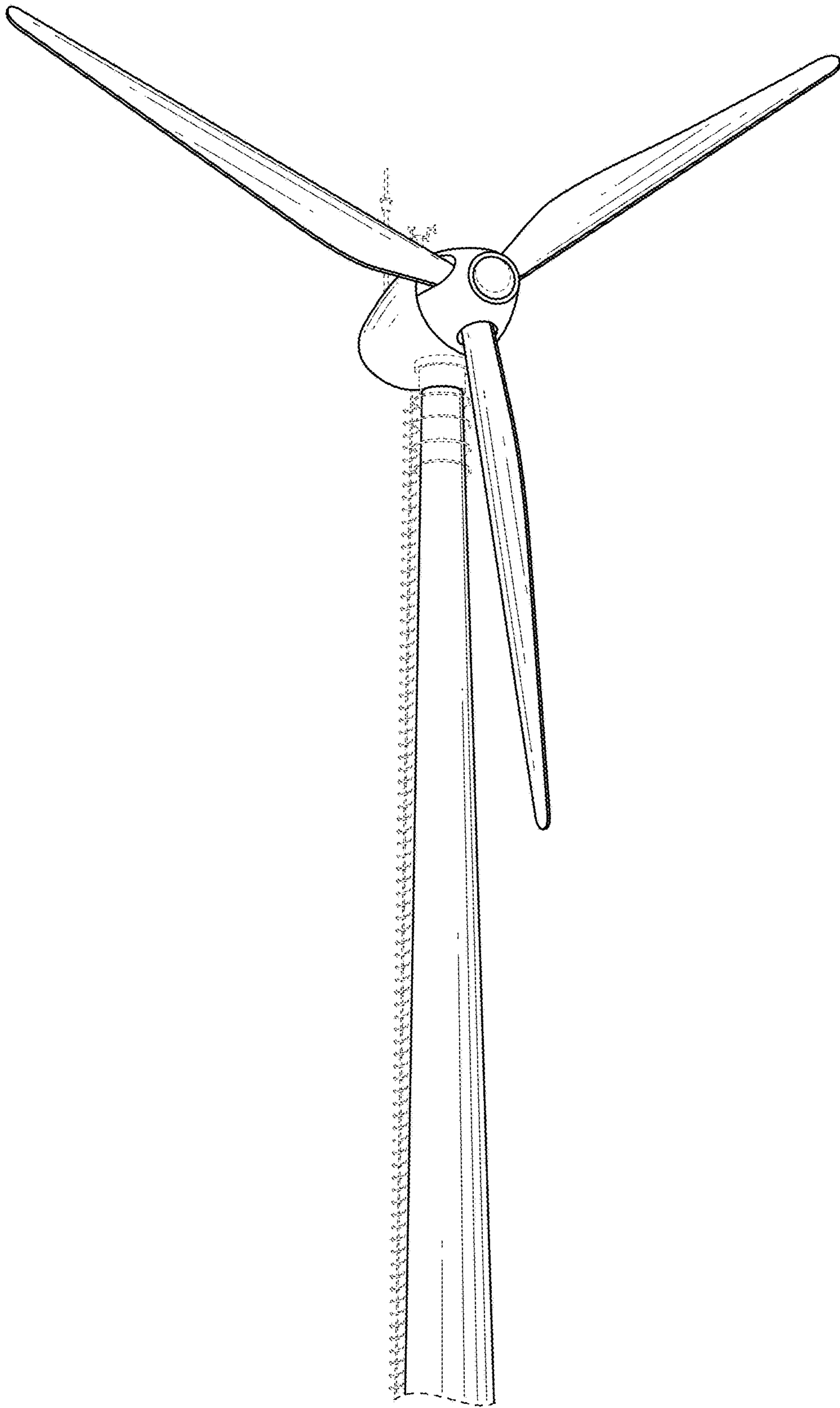
DESCRIPTION

- 1. Wind turbine
- 1.1 : Front perspective
- 1.2 : Rear perspective
- 1.3 : Front
- 1.4 : Back
- 1.5 : Left
- 1.6 : Right

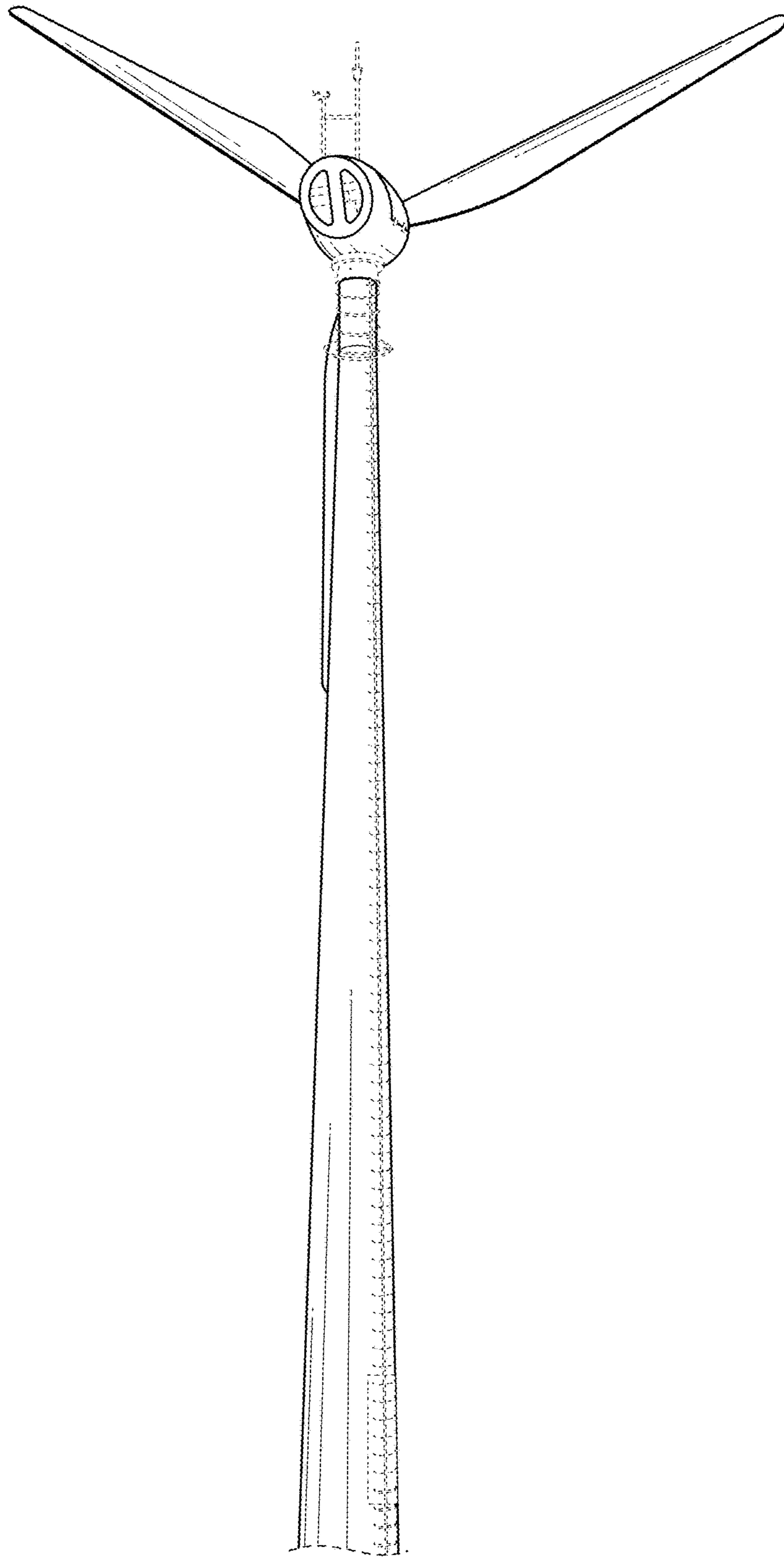
Throughout the reproductions, the wind turbine is shown with a symbolic break in its length. The appearance of any portion of the article beyond the break line forms no part of the claimed design. In the reproductions, the broken lines are for the purpose of illustrating environment only and form no part of the claimed design.

1 Claim, 6 Drawing Sheets

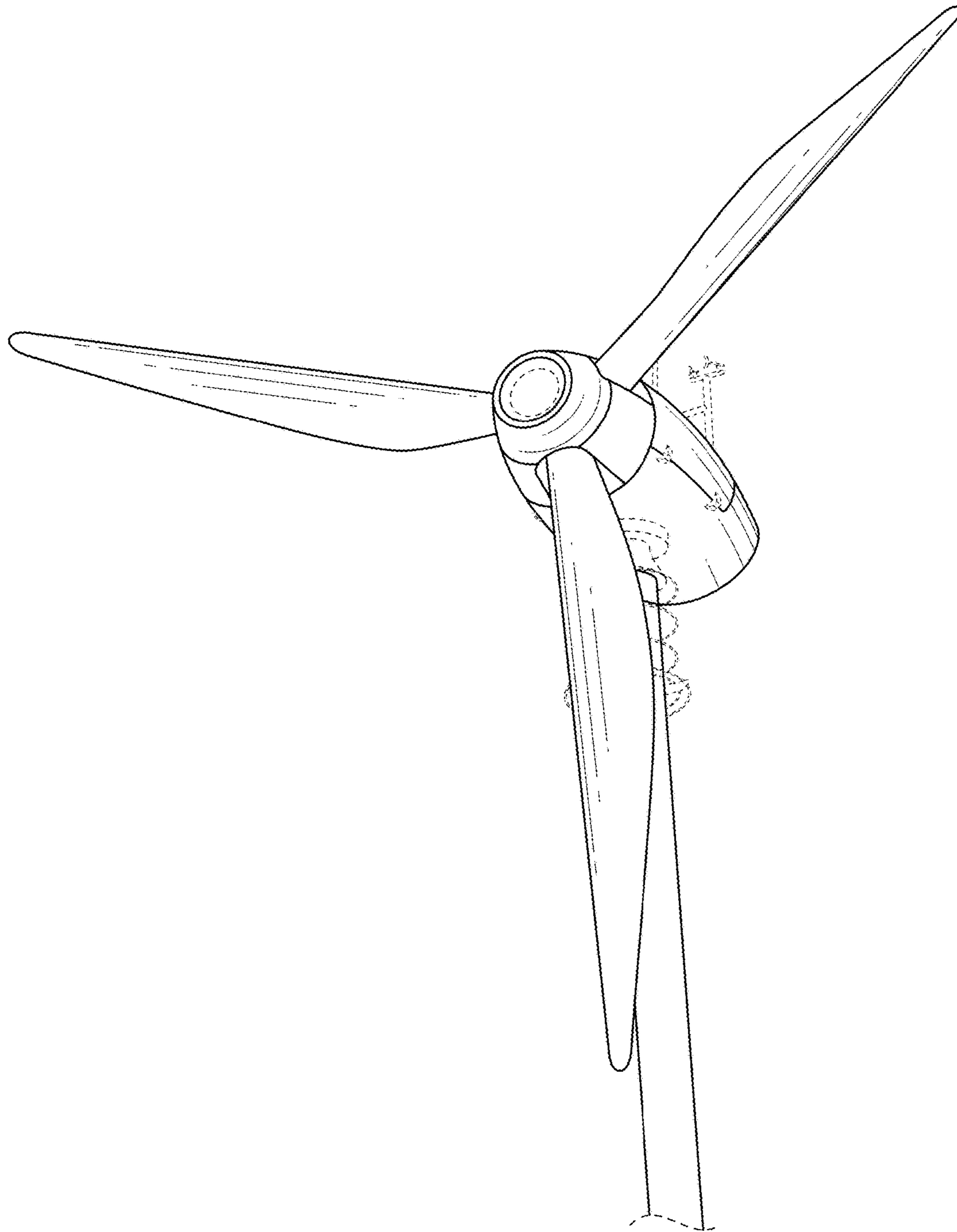




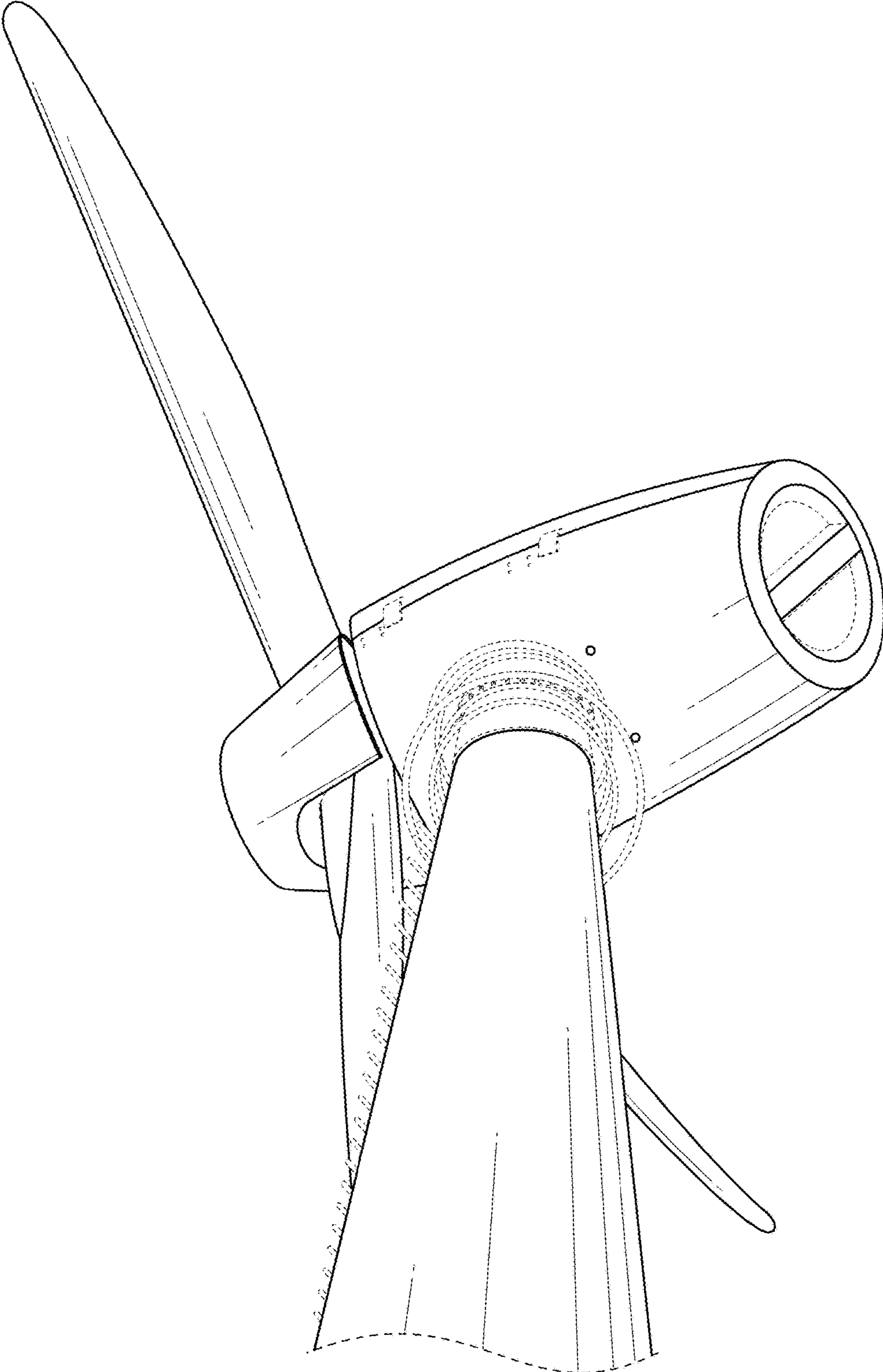
1.1



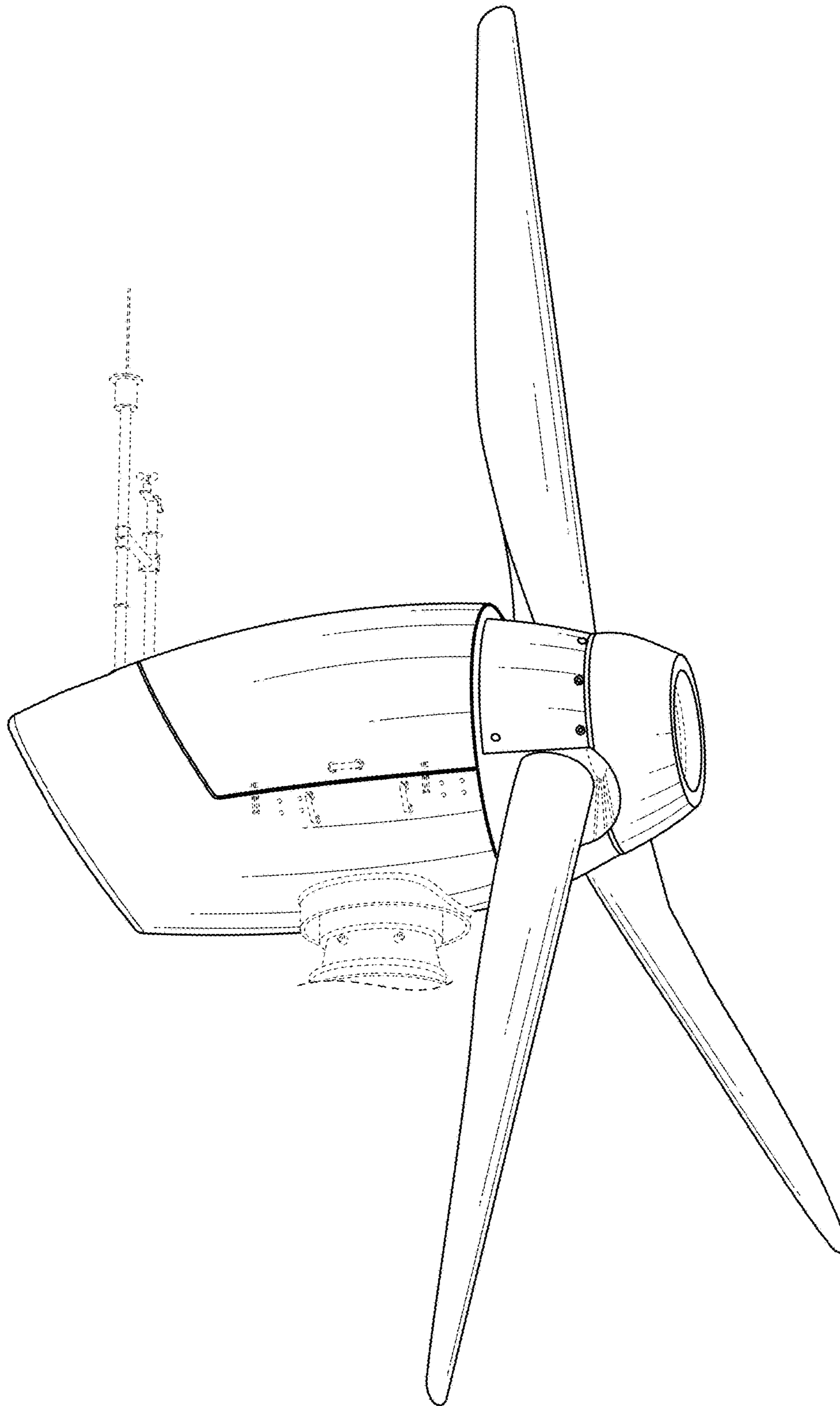
1.2



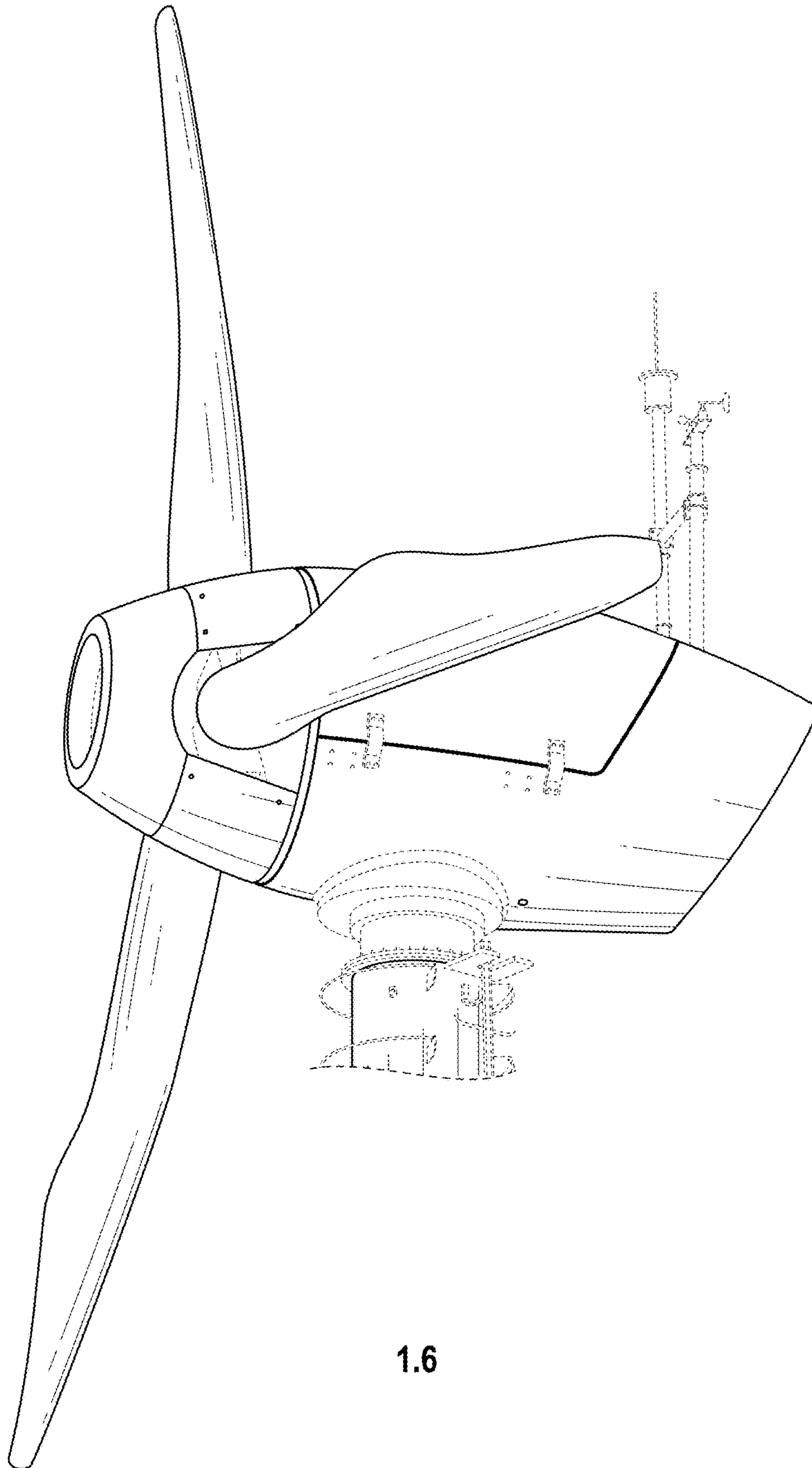
1.3



1.4



1.5



1.6