



US00D824330S

(12) **United States Design Patent**
Hao et al.

(10) **Patent No.:** **US D824,330 S**

(45) **Date of Patent:** **** Jul. 31, 2018**

(54) **WALL-MOUNTED ENERGY STORAGE SYSTEM**

(71) Applicants: **SUZHOU GCLSI SCIENCE AND TECHNOLOGY INDUSTRIAL APPLICATION RESEARCH INSTITUTE CO., LTD.**, Suzhou (CN); **GCL INTEGRATION TECHNOLOGY (SUZHOU) CO., LTD.**, Suzhou (CN); **GCL SYSTEM INTEGRATION TECHNOLOGY CO., LTD.**, Fengxian District (CN)

(72) Inventors: **Sancun Hao**, Suzhou (CN); **Renyi Fan**, Suzhou (CN)

(73) Assignees: **SUZHOU GCLSI SCIENCE AND TECHNOLOGY INDUSTRIAL APPLICATION RESEARCH INSTITUTE CO., LTD.**, Jiangsu (CN); **GCL INTEGRATION TECHNOLOGY (SUZHOU) CO., LTD.**, Jiangsu (CN); **GCL SYSTEM INTEGRATION TECHNOLOGY CO., LTD.**, Shanghai (CN)

(**) Term: **15 Years**

(21) Appl. No.: **29/575,742**

(22) Filed: **Aug. 29, 2016**

(30) **Foreign Application Priority Data**

Mar. 9, 2016 (CN) 2016 3 0065732

(51) **LOC (11) Cl.** **13-02**

(52) **U.S. Cl.**
USPC **D13/110**

(58) **Field of Classification Search**
USPC D13/107-110, 118-119, 144, 184;
D14/155-242, 251, 432-434
CPC H01R 31/06; H01R 13/6666; H01R 13/70;
H01R 13/00; H01R 35/04; H01R 31/065;
H01R 13/44; H01R 27/02

See application file for complete search history.

(56) **References Cited**

U.S. PATENT DOCUMENTS

D420,361 S * 2/2000 Lutz, Jr. D14/242
D437,314 S * 2/2001 DeLeon D14/242

(Continued)

OTHER PUBLICATIONS

Controller posted by Braeburn posted date Sep. 6, 2014, © Amazon, [online], [site visited Sep. 5, 2017]. Available from Internet, https://www.amazon.com/dp/B00HF2ZDKI/ref=asc_df_B00HF2ZDKI15155823/?tag=hyprod-20&creative=394997&creativeASIN=B00HF2ZDKI&linkCode=df0&hvadid=198093463189&hypos=1o15&hvnetw=g&hvrnd=3298990362175217667&hvpo.*

(Continued)

Primary Examiner — Cynthia Ramirez

Assistant Examiner — Laura H Yu

(74) *Attorney, Agent, or Firm* — Miller, Matthias & Hull LLP

(57) **CLAIM**

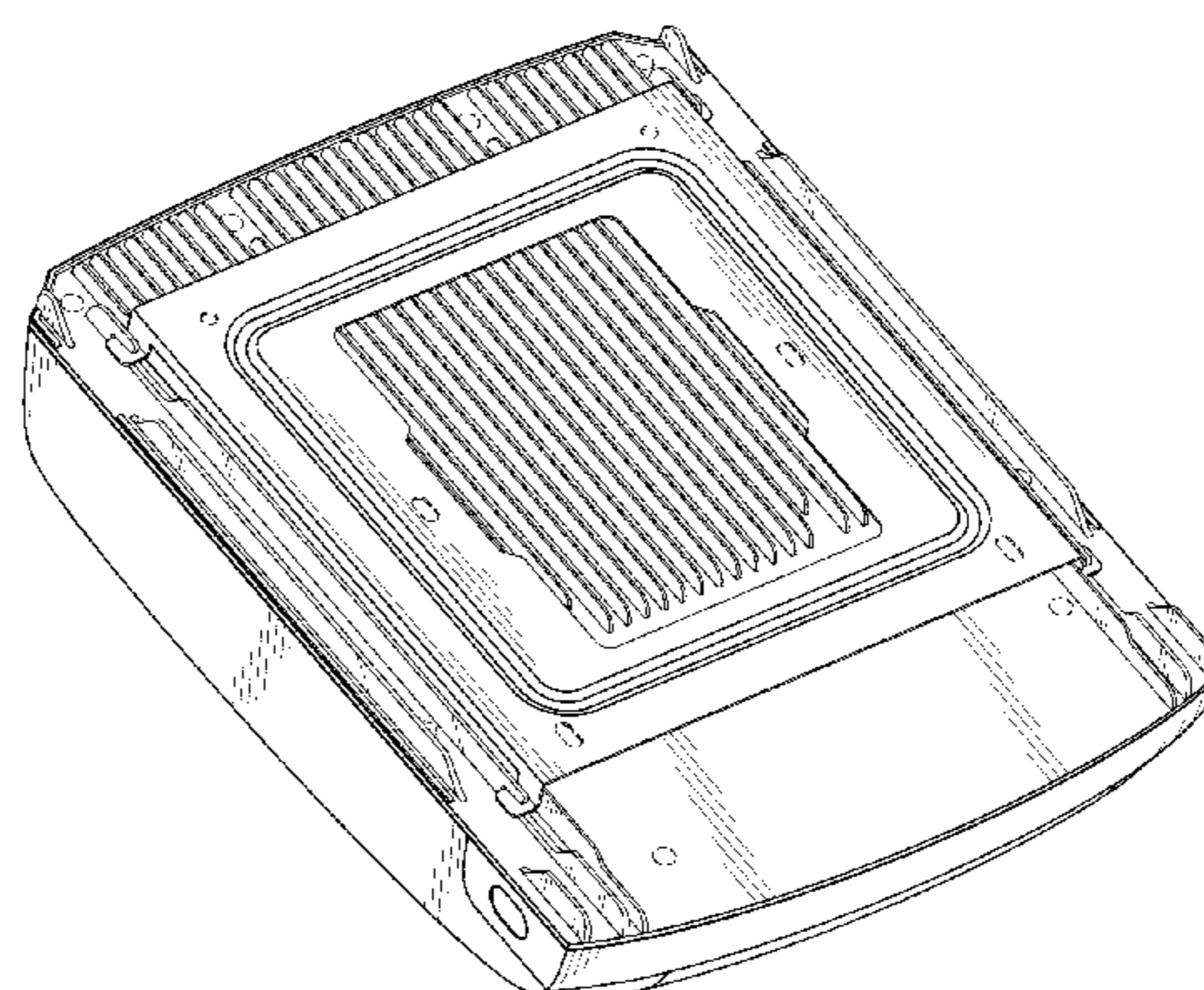
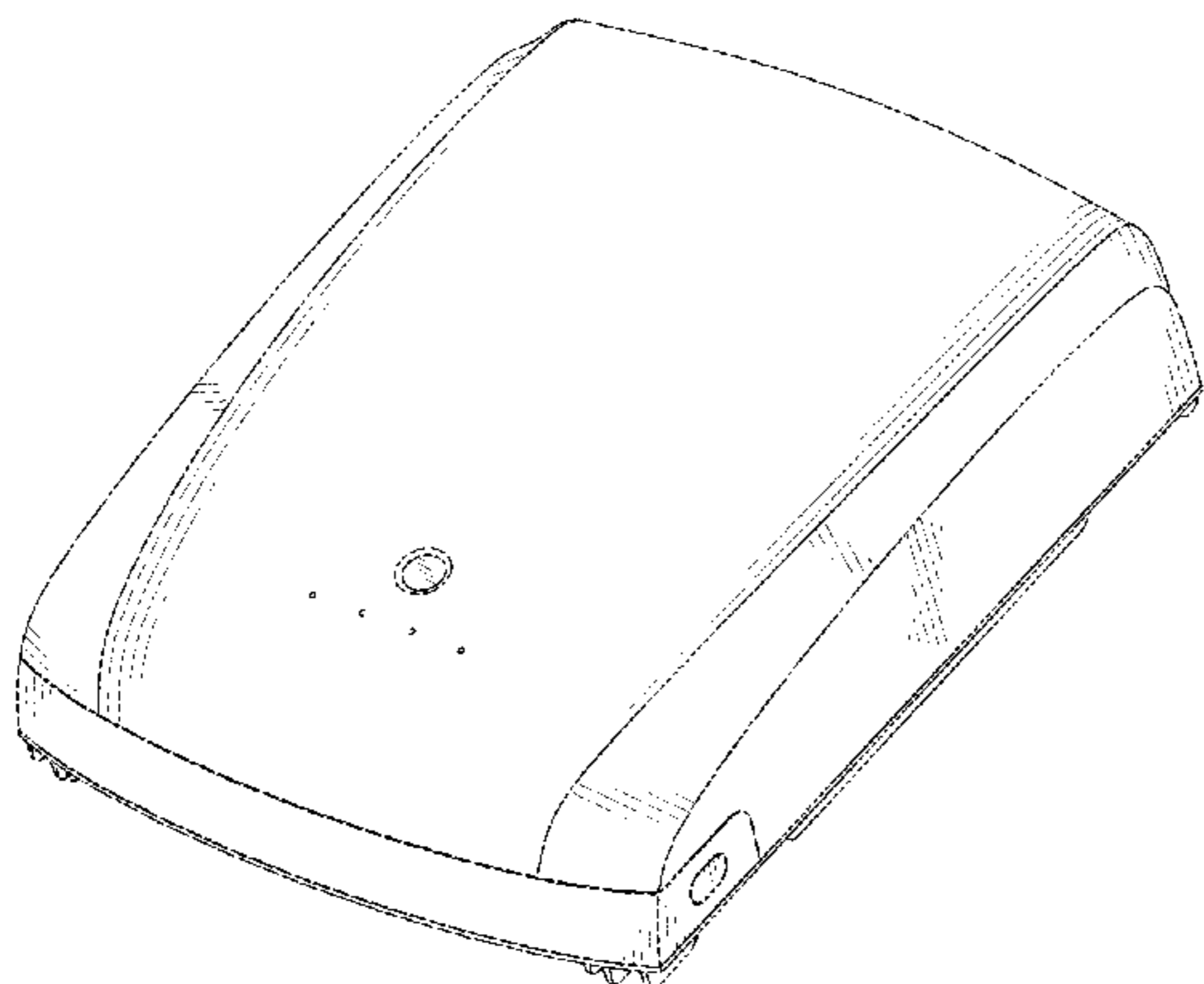
The ornamental design for a wall-mounted energy storage system, as shown and described.

DESCRIPTION

FIG. 1 is a perspective view of a wall-mounted energy storage system showing our new design; FIG. 2 is a rear perspective view thereof; FIG. 3 is a front view thereof; FIG. 4 is a rear view thereof; FIG. 5 is a right side view thereof; FIG. 6 is a left side view thereof; FIG. 7 is a top view thereof; and, FIG. 8 is a bottom view thereof.

The broken lines in the figures are for the purpose of illustrating portions of the wall-mounted energy storage system that form no part of the claimed design.

1 Claim, 8 Drawing Sheets



(56)

References Cited

U.S. PATENT DOCUMENTS

D616,815 S * 6/2010 Jadraque Aznarez D13/110
D622,397 S * 8/2010 Bukoski D24/177
D653,129 S * 1/2012 Pages D10/49
D746,228 S * 12/2015 Medley D13/110

OTHER PUBLICATIONS

GCL System E KWBE posted by Maria Samoila posted date Oct. 7, 2016, © SlideShare, [online], [site visited Sep. 5, 2017]. Available from Internet, <https://www.slideshare.net/MariaSamoila/gcl-system-ppt-july-2016>.*

Fronuis posted by James Martin II posted date Sep. 28, 2015, © Solar Choice, [online], [site visited Sep. 5, 2017]. Available from Internet, <https://www.solarchoice.net.au/blog/solar-battery-storage-products-in-australia-list>.*

GCL E KWBE Energy Storage posted by SAE Group Australia posted date Jul. 3, 2016, © YouTube, [online], [site visited Sep. 5, 2017]. Available from Internet, https://www.youtube.com/watch?time_continue=16&v=hVhcGFZe-wc.*

* cited by examiner

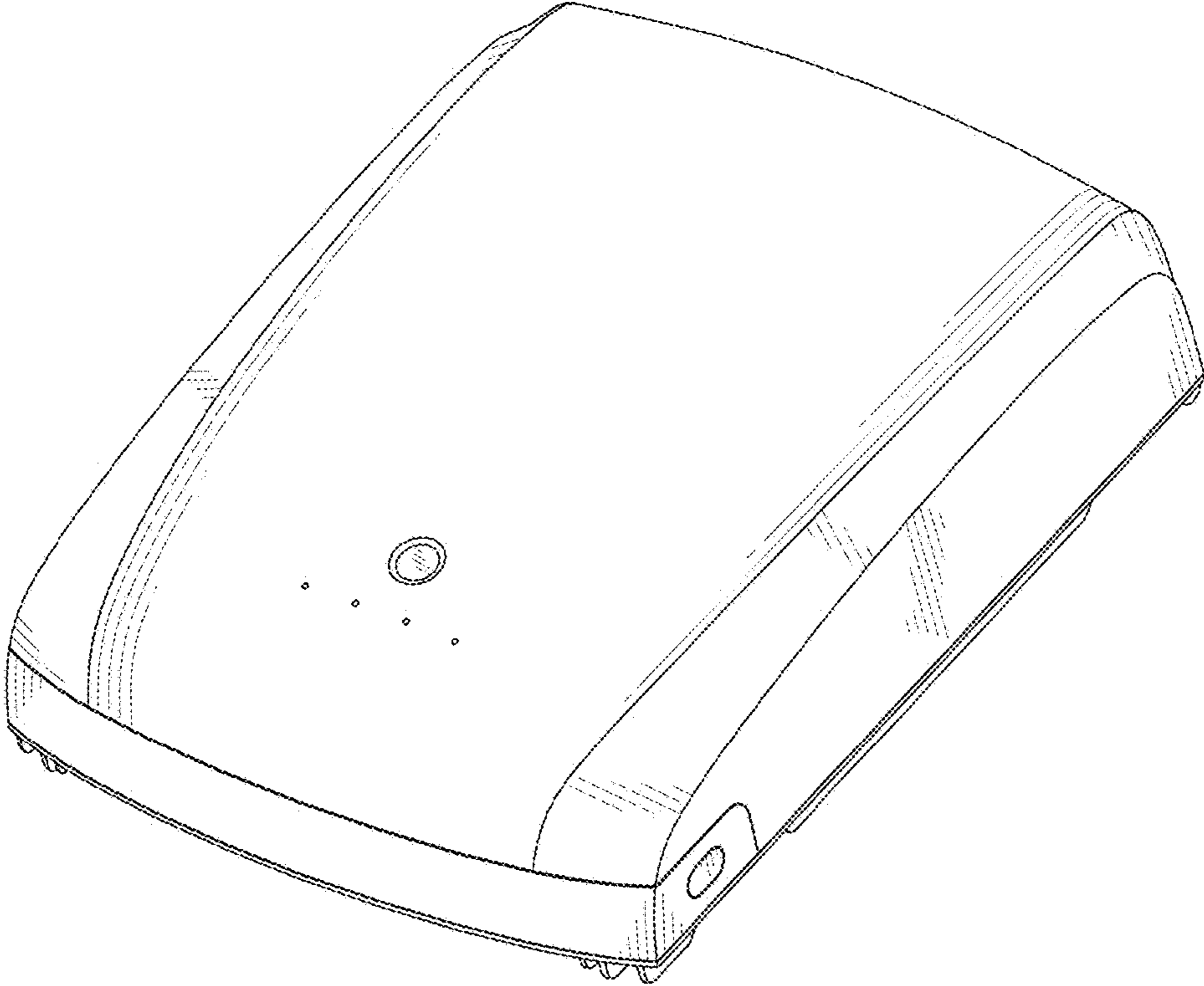


FIG. 1

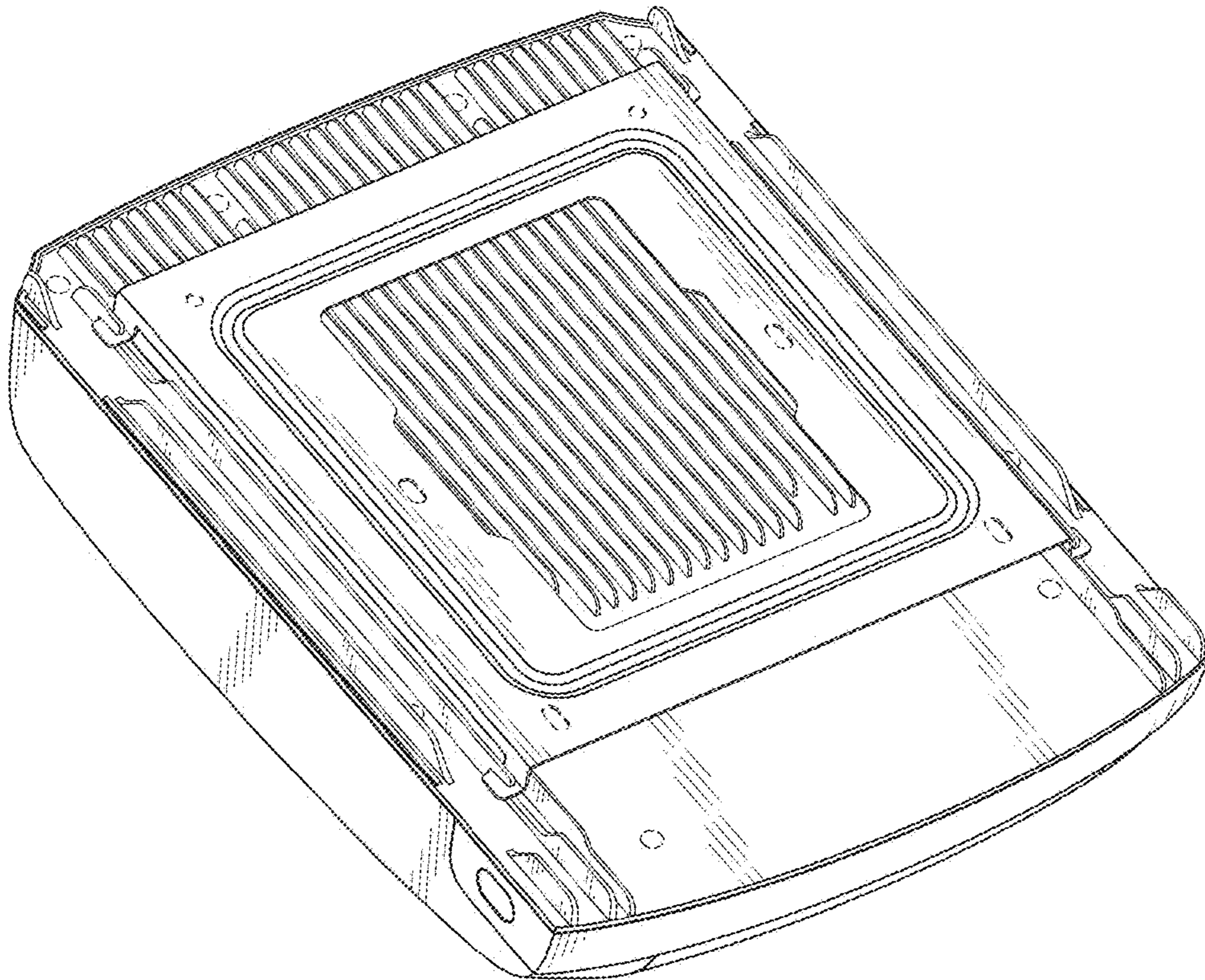


FIG. 2

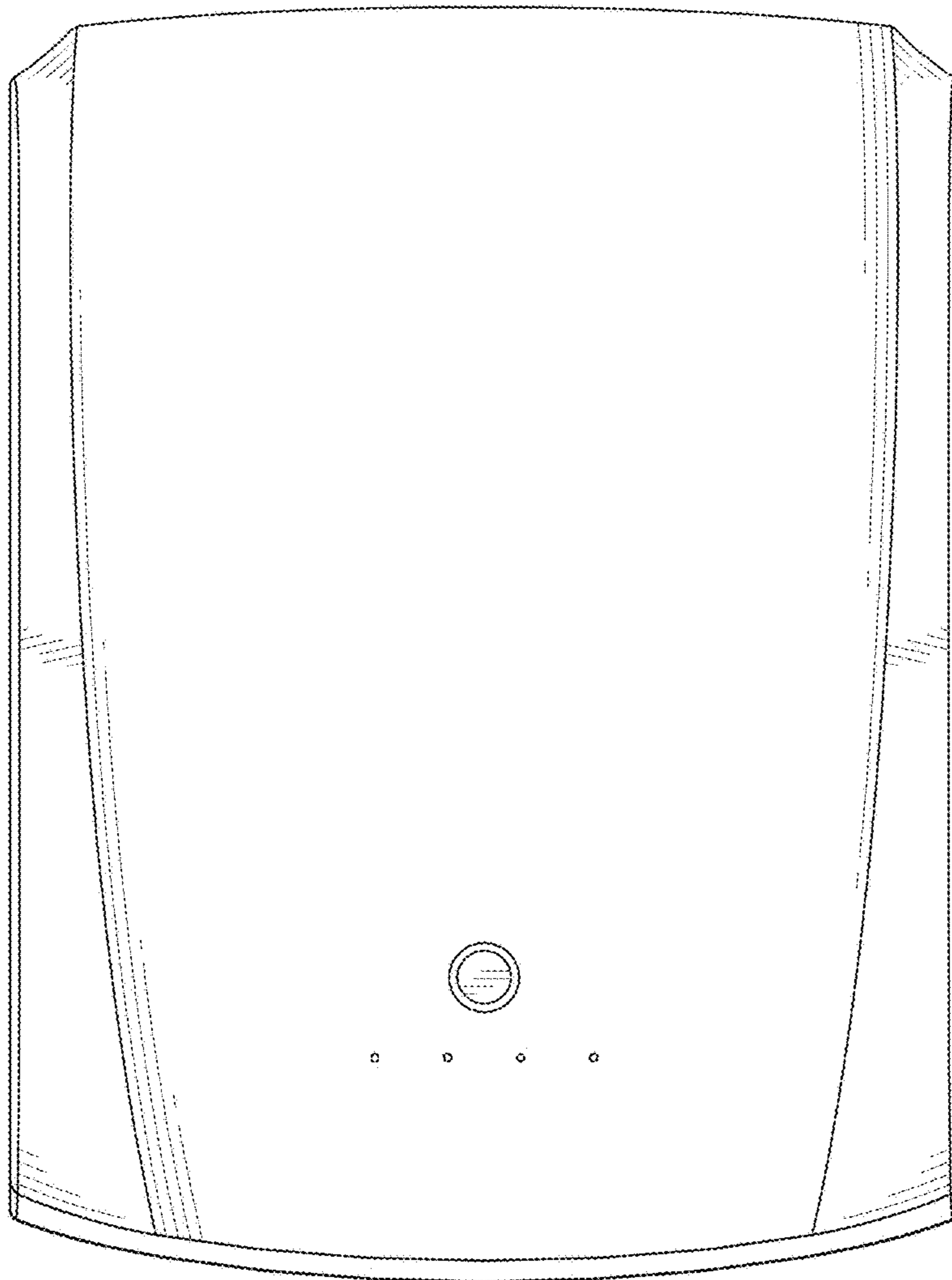


FIG. 3

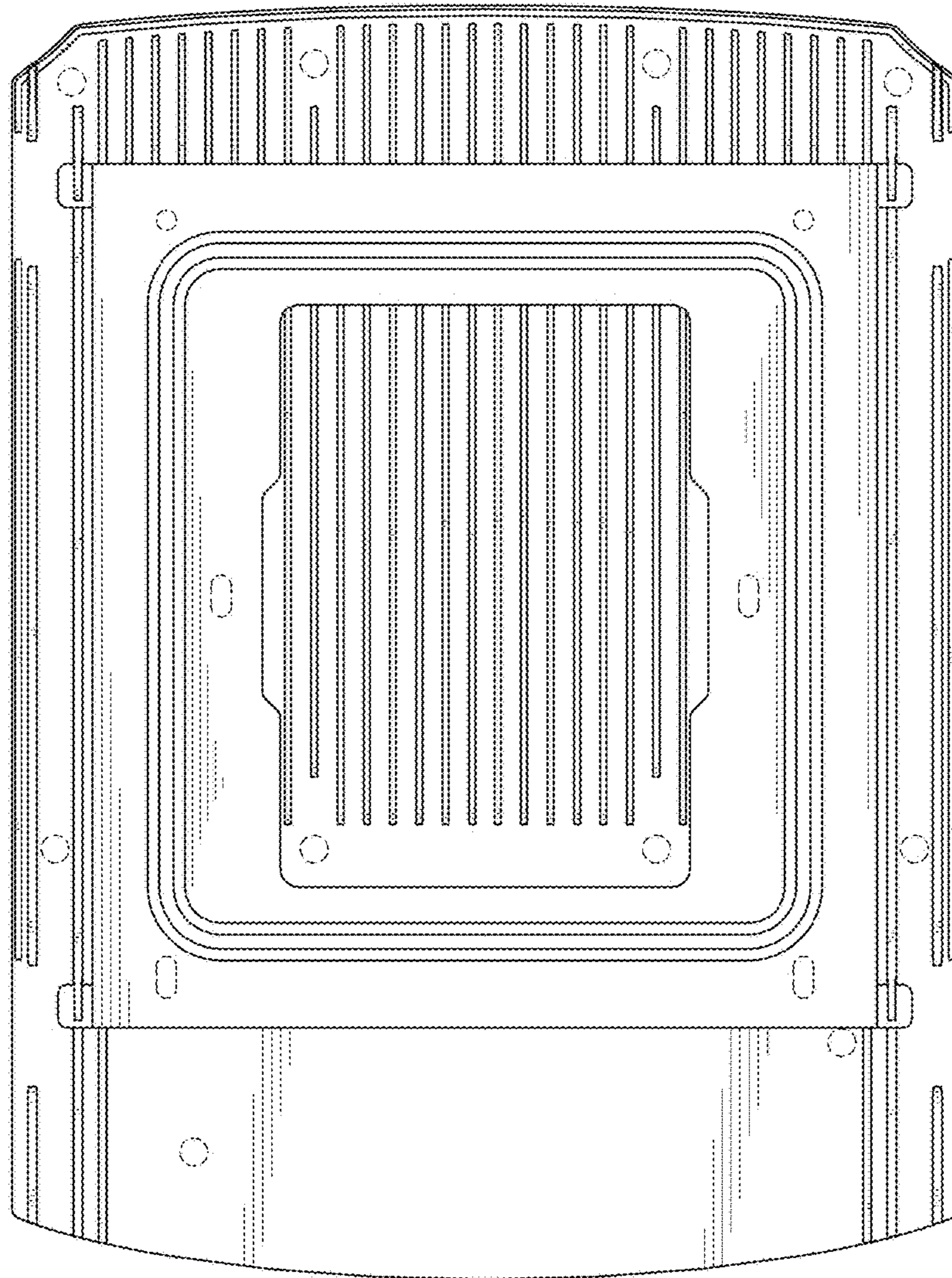


FIG. 4

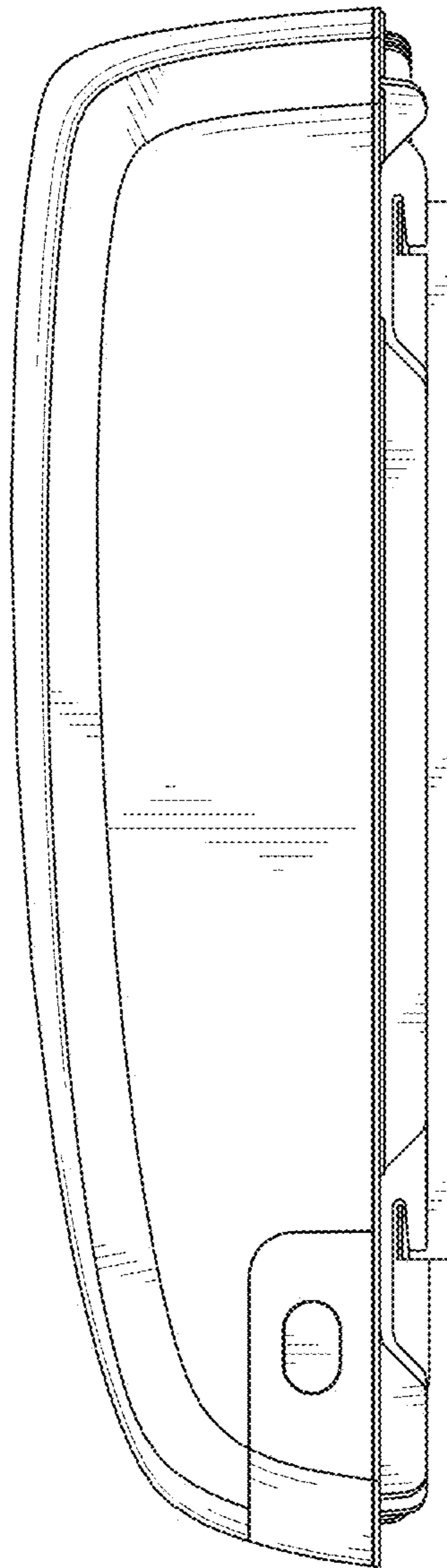


FIG. 5

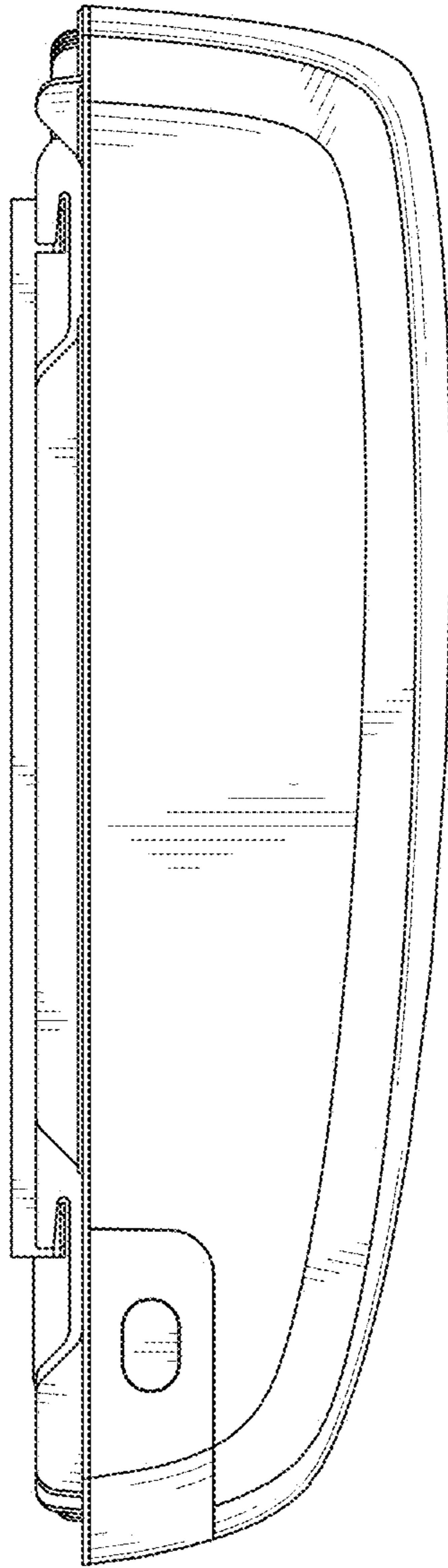


FIG. 6

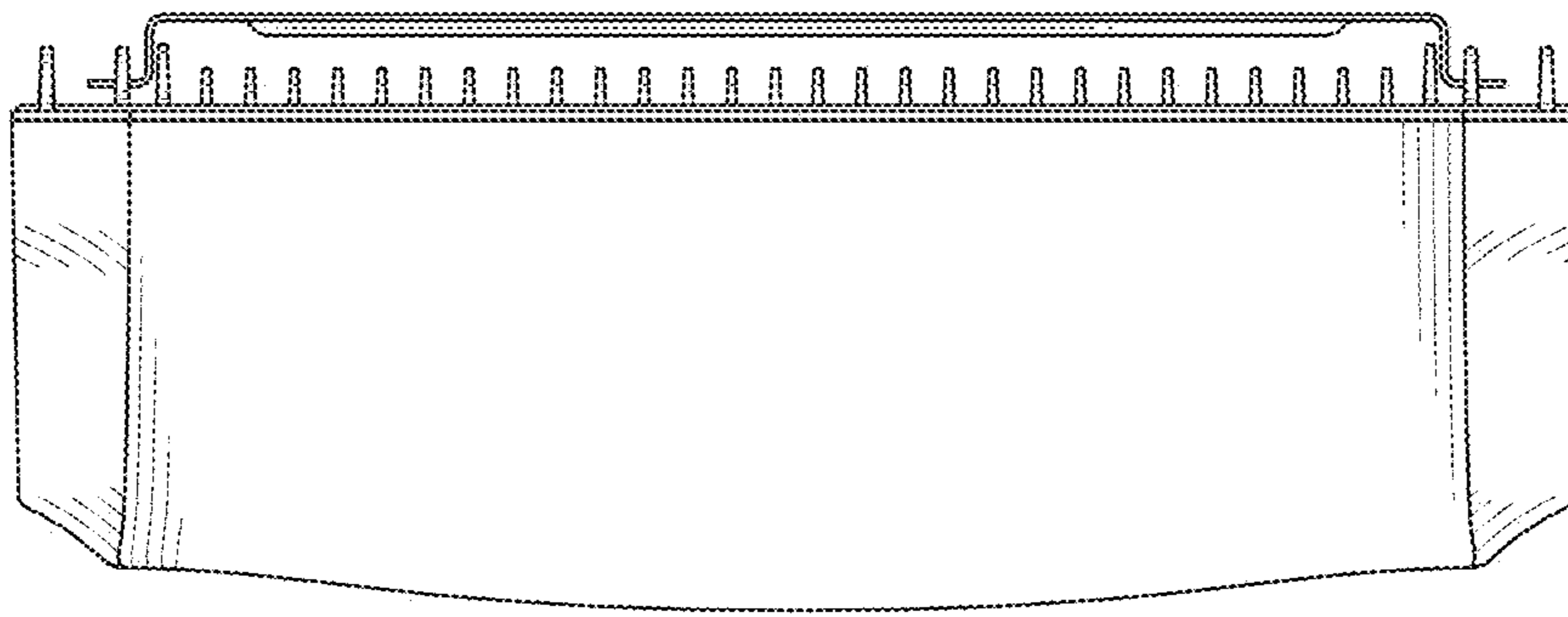


FIG. 7

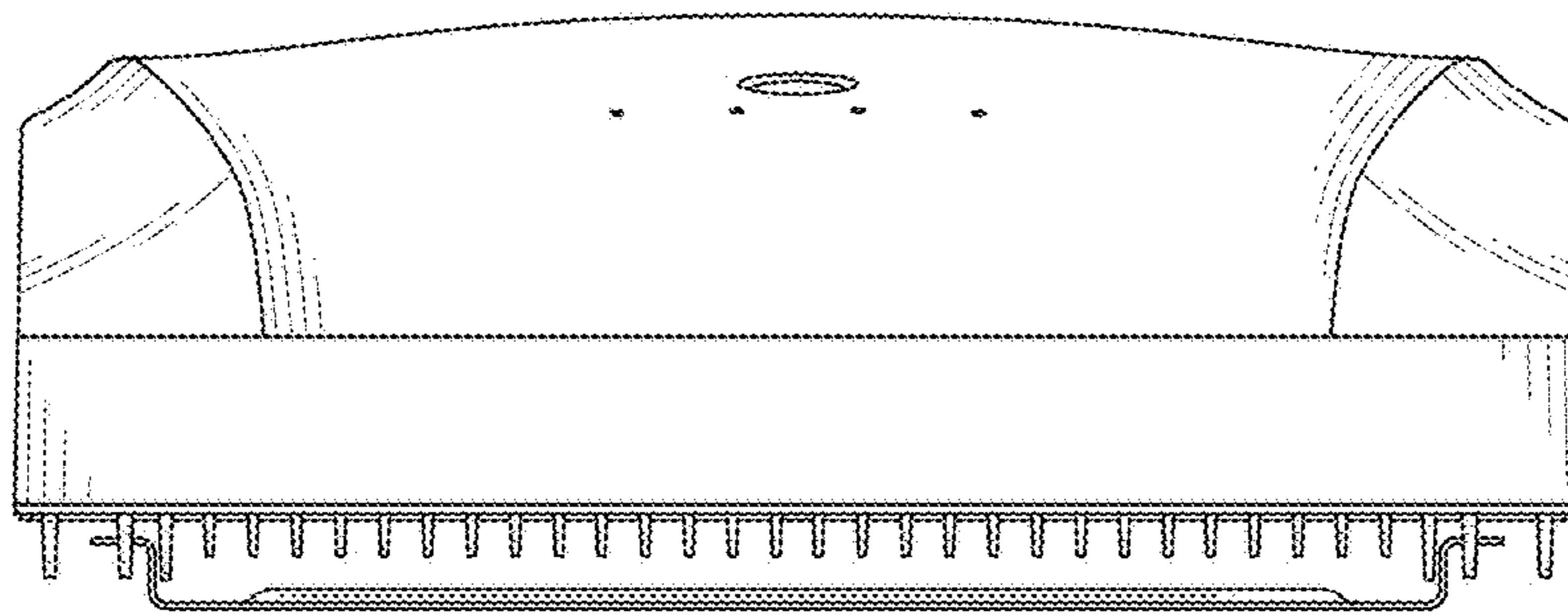


FIG. 8