



US00D824328S

(12) **United States Design Patent** (10) **Patent No.:** **US D824,328 S**  
**Liu** (45) **Date of Patent:** **\*\* Jul. 31, 2018**

(54) **PORTABLE CHARGER**  
(71) Applicant: **EASYACC TECHNOLOGY CO., LIMITED**, Hong Kong (HK)  
(72) Inventor: **Yamin Liu**, Changsha (CN)  
(\*\*) Term: **15 Years**  
(21) Appl. No.: **29/570,272**

D717,243 S \* 11/2014 Liu ..... D13/103  
D762,170 S \* 7/2016 Lei ..... D13/108  
D763,185 S \* 8/2016 Wen ..... D13/103  
D763,790 S \* 8/2016 Lei ..... D13/108  
D772,807 S \* 11/2016 Chen ..... D13/103  
D782,974 S \* 4/2017 Ju ..... D13/108  
2013/0057068 A1\* 3/2013 Lin ..... H02J 7/0054  
307/23  
2015/0054336 A1\* 2/2015 Xinfang ..... B60R 16/033  
307/9.1

(Continued)

(22) Filed: **Jul. 7, 2016**  
(30) **Foreign Application Priority Data**  
May 19, 2016 (CN) ..... 2016 3 0189894  
(51) **LOC (11) Cl.** ..... **13-02**  
(52) **U.S. Cl.**  
USPC ..... **D13/108**  
(58) **Field of Classification Search**  
USPC ..... D13/102-110, 118-119, 184, 199;  
D14/356, 432  
CPC ..... Y02E 60/10; Y02E 60/12; Y02E 60/122;  
Y02E 60/124; Y02E 60/50; H01M 2/02;  
H01M 2/022; H01M 2/0202; H01M  
2/0207; H01M 2/0212; H01M 2/1061;  
H01M 2/1022; H01M 2/1055; H01M  
2/1066; H01M 2/105; H01M 2/20; H01M  
2/202; H01M 2/204; H01M 2/206; H01M  
10/44; H01M 10/46; H01M 10/465;  
H01M 10/482; H01M 2200/30; H01M  
2250/30; H01M 2250/40; H01M 10/4257;  
H01M 10/0436; H01M 10/48; H02J 7/00;  
H02J 7/0003; H02J 7/0011; H02J 7/0013;  
H02J 7/0054; H02J 7/0055; H02J 7/0057;  
H02J 2007/0062  
See application file for complete search history.

(56) **References Cited**  
U.S. PATENT DOCUMENTS  
D631,838 S \* 2/2011 Cheng ..... D13/108  
D676,380 S \* 2/2013 Sun ..... D13/108

**OTHER PUBLICATIONS**

EasyAcc 20000mAh Power Bank, EasyAcc, review posted on Sep. 19, 2015 on amazon.co.uk, retrieved on Jun. 28, 2017, retrieved from the Internet: URL<[https://www.amazon.co.uk/product-reviews/B01422TC14/ref=cm\\_cr\\_arp\\_d\\_paging\\_btm\\_104?ie=UTF8&reviewerType=all\\_reviews&showViewpoints=1&sortBy=recent&pageNumber=104](https://www.amazon.co.uk/product-reviews/B01422TC14/ref=cm_cr_arp_d_paging_btm_104?ie=UTF8&reviewerType=all_reviews&showViewpoints=1&sortBy=recent&pageNumber=104)>.\*

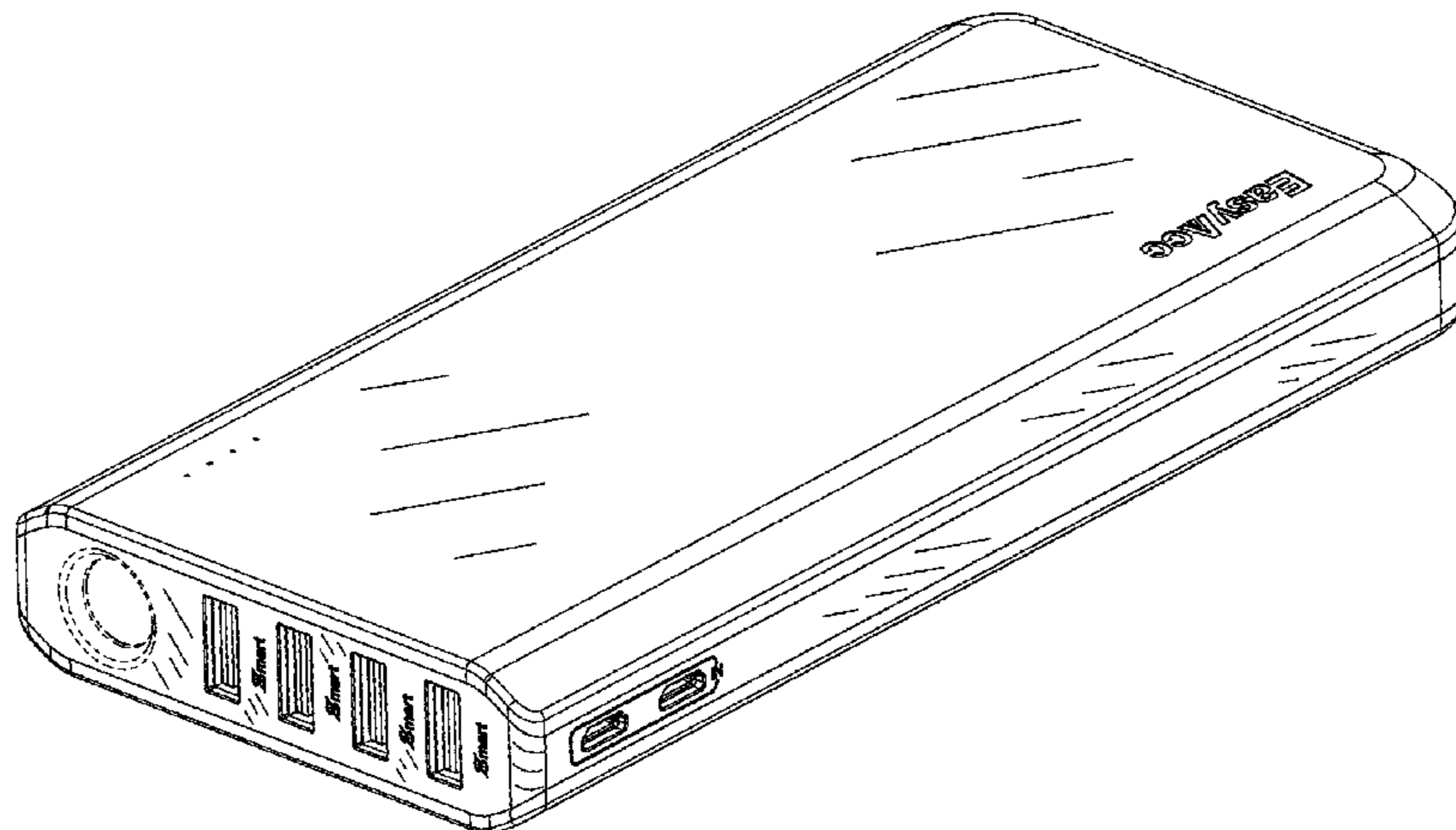
*Primary Examiner* — Rosemary K Tarcza  
*Assistant Examiner* — Alison M Ofstun  
(74) *Attorney, Agent, or Firm* — Wayne & King LLC

(57) **CLAIM**  
The ornamental design for portable charger, as shown and described.

**DESCRIPTION**

FIG. 1 is perspective view of a portable charger, showing my design;  
FIG. 2 is another perspective view thereof;  
FIG. 3 is a front view thereof;  
FIG. 4 is a back view thereof;  
FIG. 5 is a left side view thereof;  
FIG. 6 is a right side view thereof;  
FIG. 7 is a top plan view thereof; and,  
FIG. 8 is a bottom plan view thereof.  
The broken lines present in the drawings are included for the purpose of illustrating portions of the article which form no part of the claimed design.

**1 Claim, 8 Drawing Sheets**



(56)

**References Cited**

U.S. PATENT DOCUMENTS

2016/0111692 A1\* 4/2016 Morita ..... H01M 2/1061  
429/7  
2016/0197516 A1\* 7/2016 Pike, II ..... H02J 7/355  
320/101  
2016/0218336 A1\* 7/2016 Herrmann ..... H01M 2/1252

\* cited by examiner

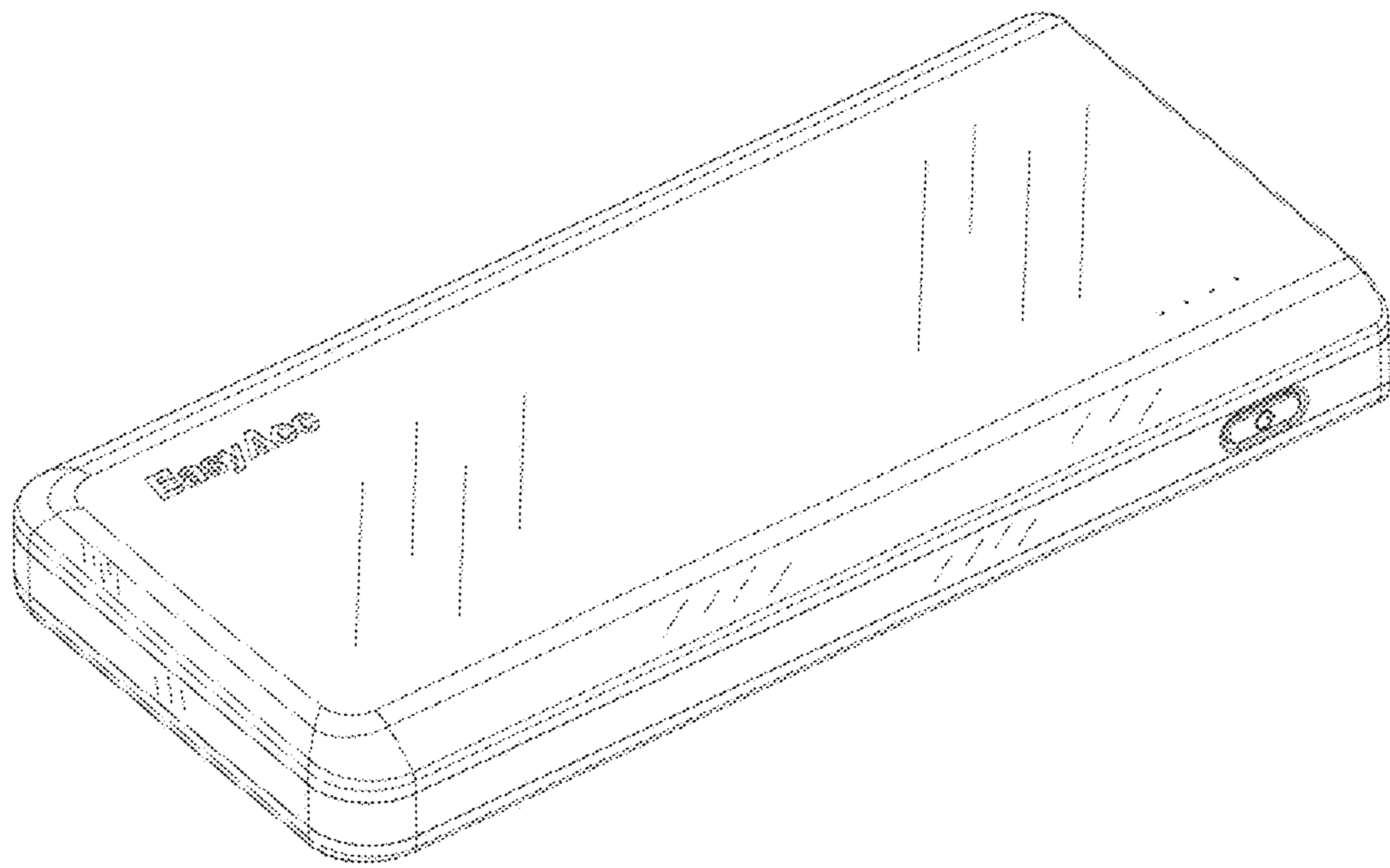


FIG. 1

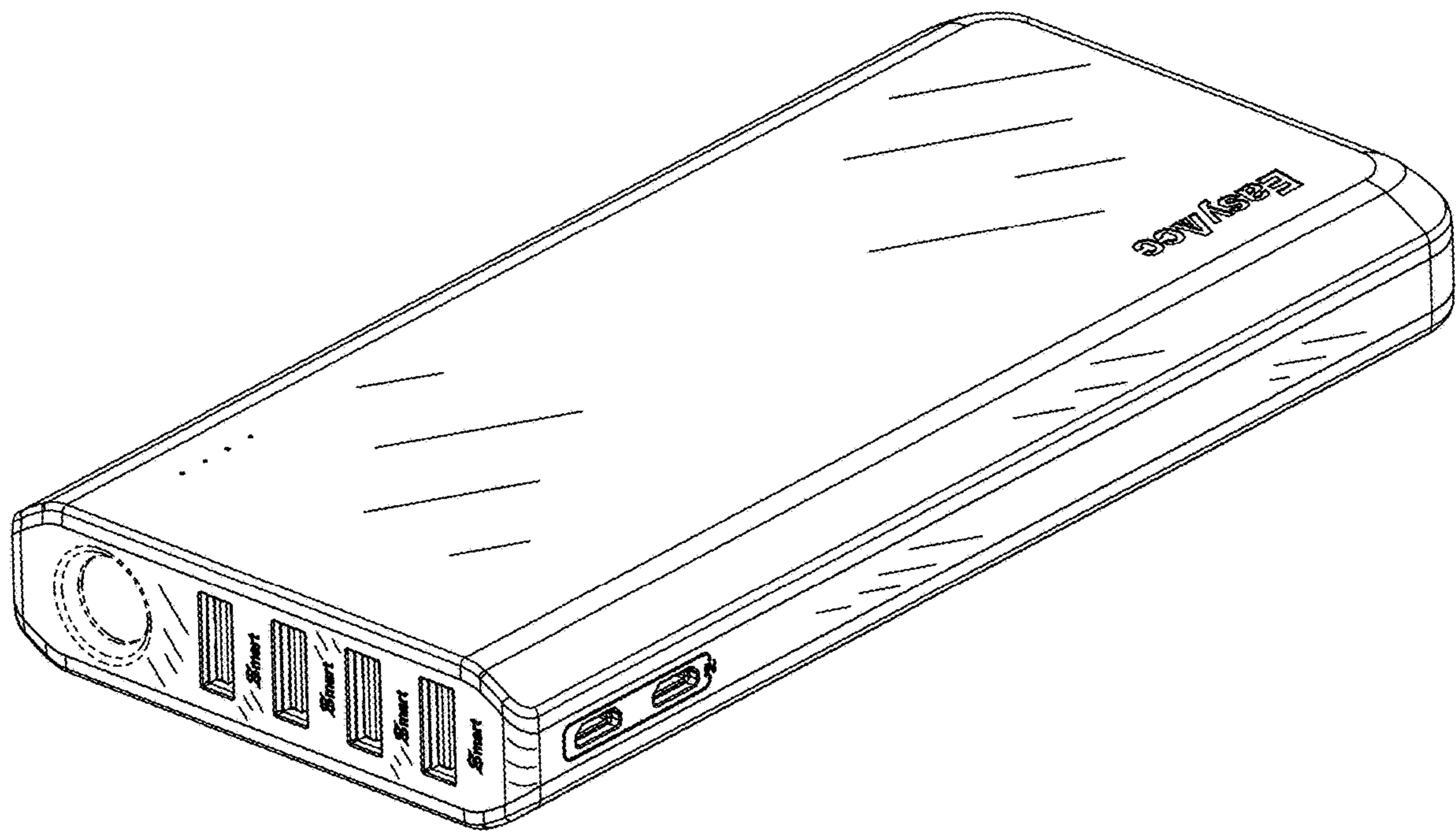


FIG.2

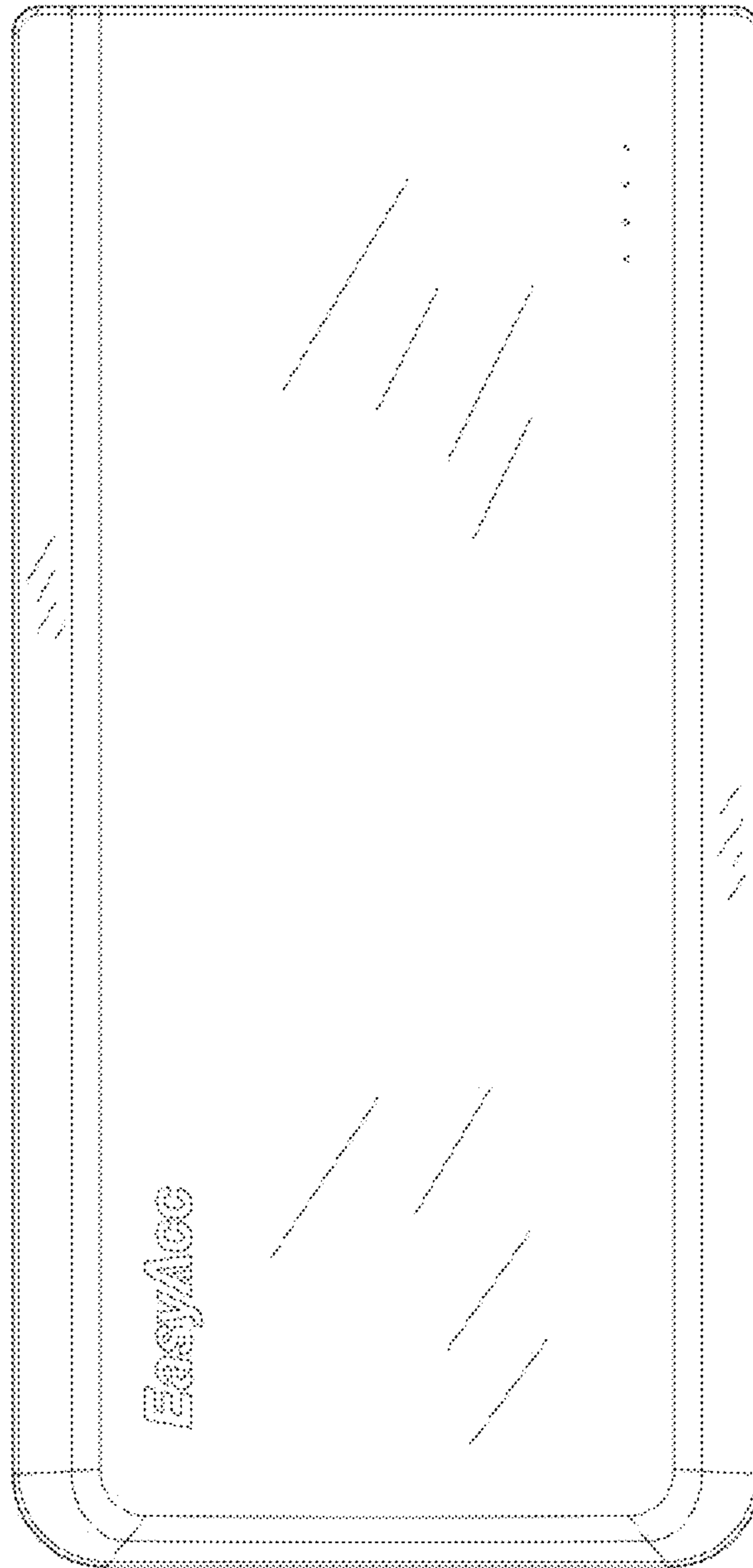


FIG. 3

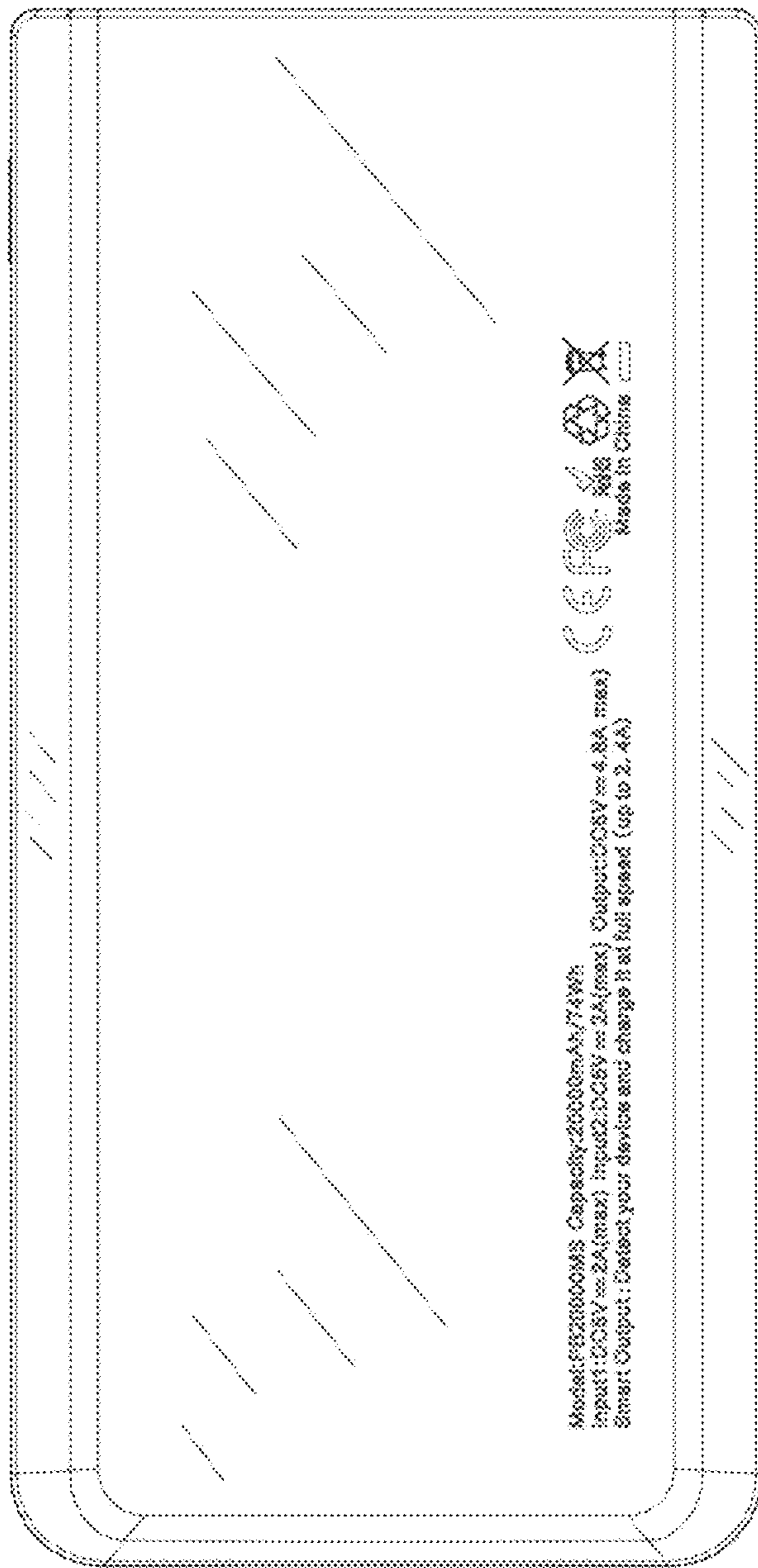


FIG. 4

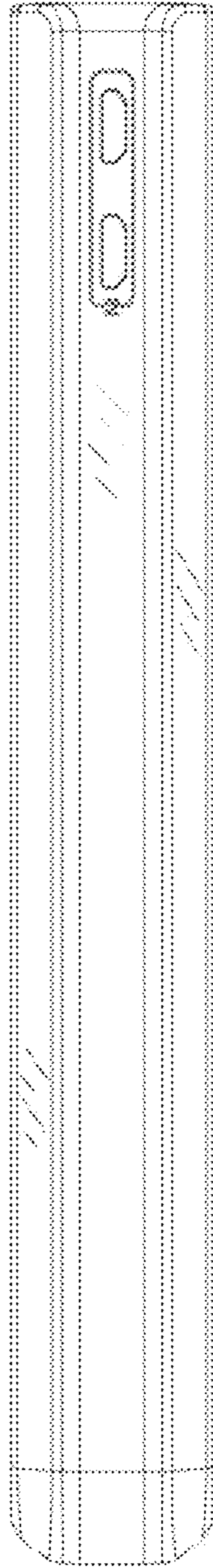


FIG. 5

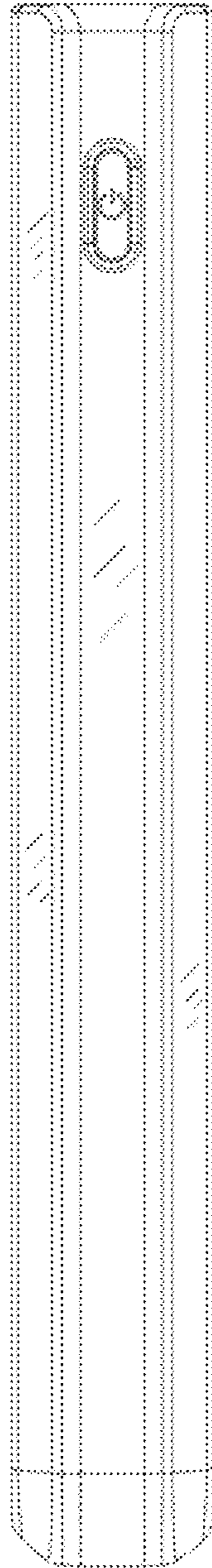


FIG. 6



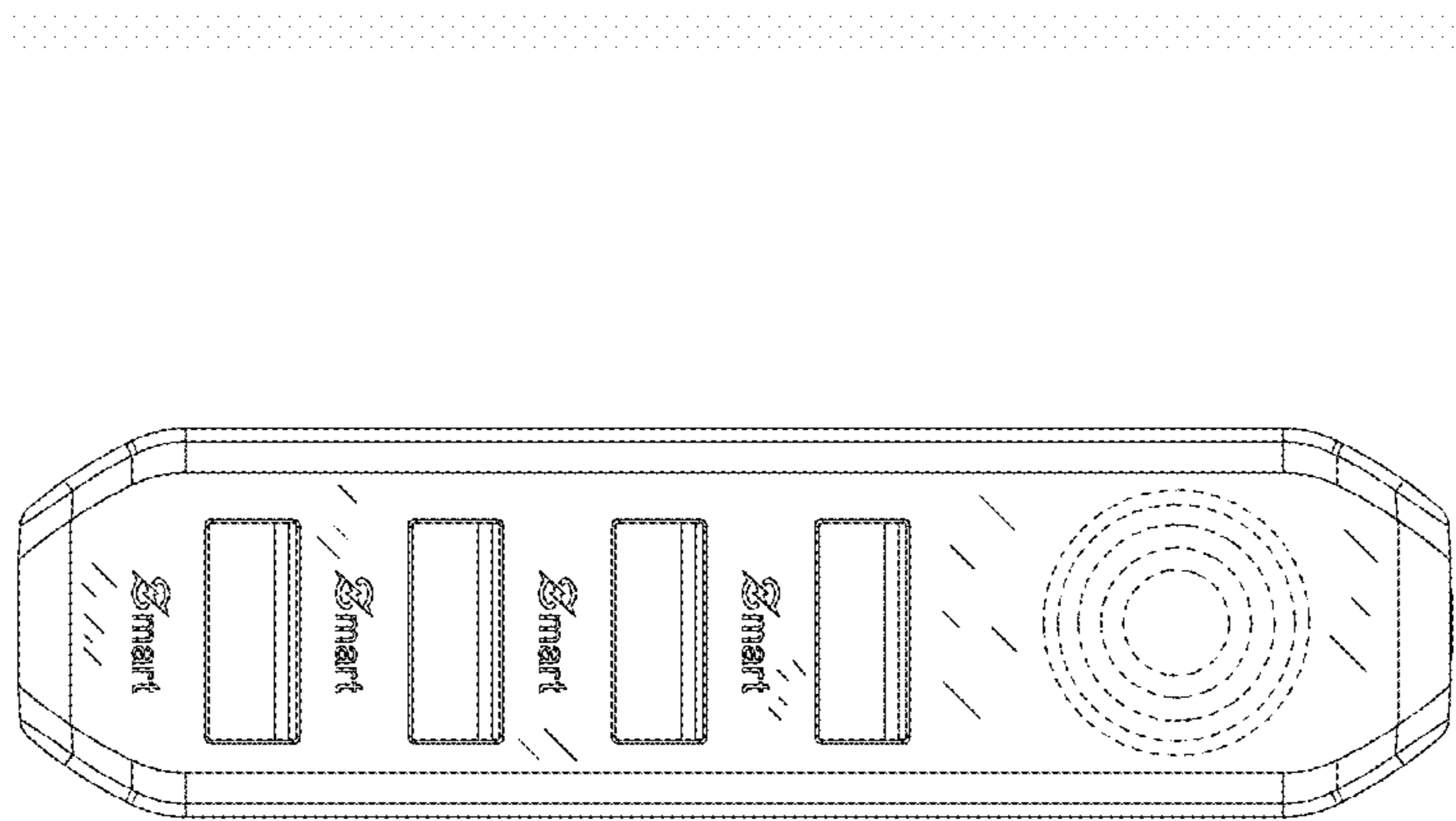


FIG. 7

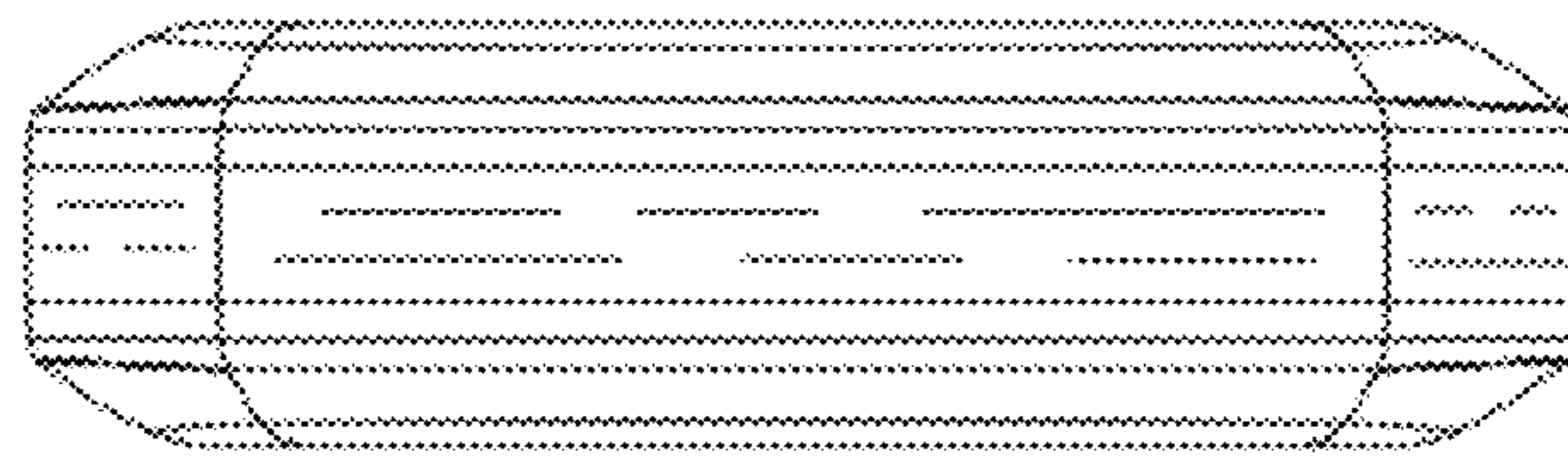


FIG. 8