

US00D824324S

(12) **United States Design Patent** (10) **Patent No.:** **US D824,324 S**
Gao (45) **Date of Patent:** **** Jul. 31, 2018**

(54) **AUTOMOBILE CONSOLE**
(71) Applicant: **Zhe Gao**, Royal Oak, MI (US)
(72) Inventor: **Zhe Gao**, Royal Oak, MI (US)
(73) Assignee: **FCA US LLC**, Auburn Hills, MI (US)
(**) Term: **15 Years**

D718,218 S * 11/2014 Tanaka D12/424
D724,521 S * 3/2015 Ashley D12/419
D725,583 S * 3/2015 Seki D12/419
9,199,579 B2 * 12/2015 Gillis B60R 7/04
D766,811 S * 9/2016 Shouno D12/419
D766,812 S * 9/2016 Kabata D12/423
D770,968 S * 11/2016 Willis D12/415
D781,210 S * 3/2017 Itou D12/419
D811,988 S * 3/2018 Lee D12/419

* cited by examiner

(21) Appl. No.: **29/599,583**
(22) Filed: **Apr. 5, 2017**
(51) **LOC (11) Cl.** **12-16**
(52) **U.S. Cl.**
USPC **D12/415**
(58) **Field of Classification Search**
USPC D12/419, 416, 417, 418, 415, 420;
D7/701, 619.1-625; D21/421
CPC B60N 2/46
See application file for complete search history.

Primary Examiner — Katrina A Betton
(74) *Attorney, Agent, or Firm* — Ralph E. Smith

(57) **CLAIM**

The ornamental design for an automobile console, as shown and described.

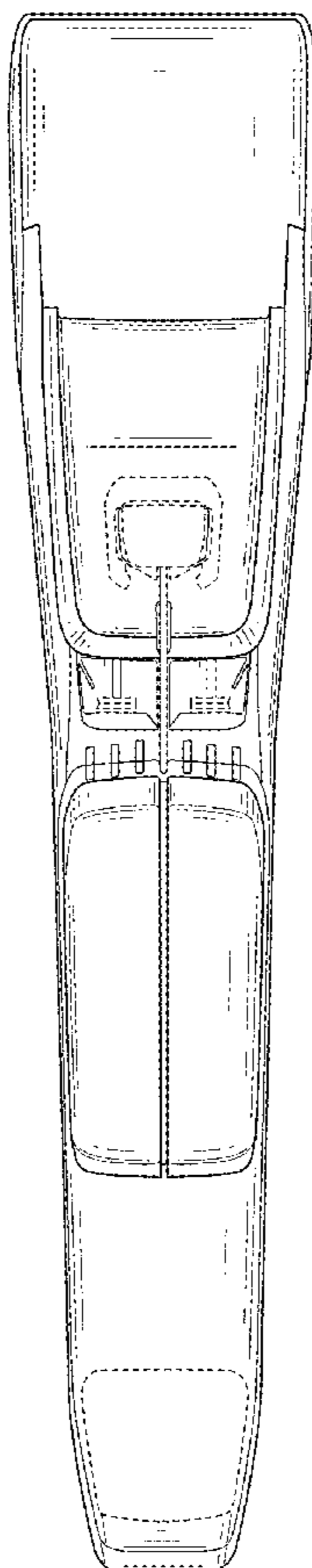
DESCRIPTION

FIG. 1 is a right side perspective view of an automobile console showing our new design;
FIG. 2 is a left side perspective view thereof;
FIG. 3 is a top view thereof; and,
FIG. 4 is a front view thereof.
It will be understood that the broken lines shown in the drawings illustrate portions of the automobile console that form no part of claimed design.

(56) **References Cited**
U.S. PATENT DOCUMENTS

D522,957 S * 6/2006 Miyashita D12/415
D568,232 S * 5/2008 Motozaki D12/421

1 Claim, 4 Drawing Sheets



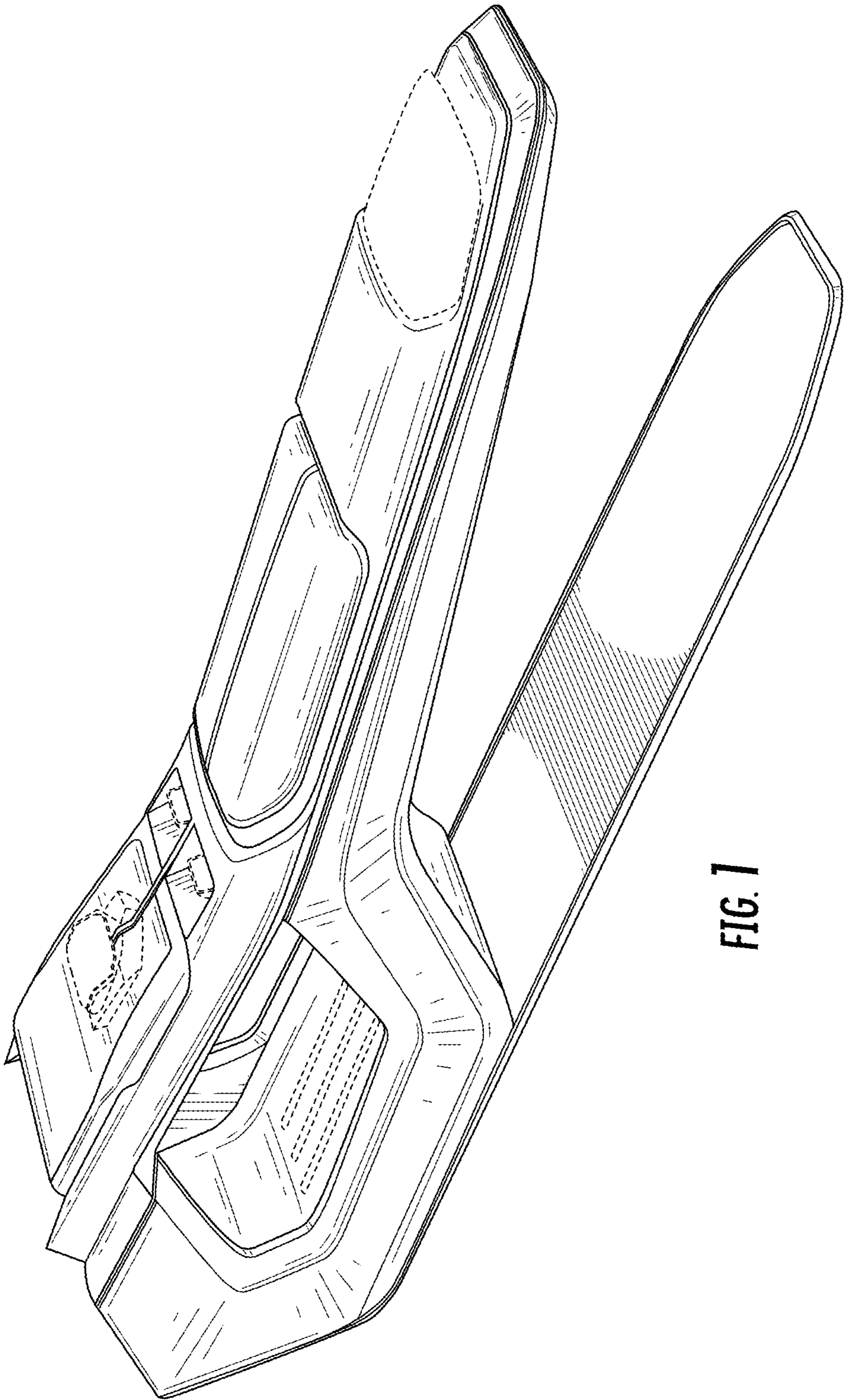


FIG. 1

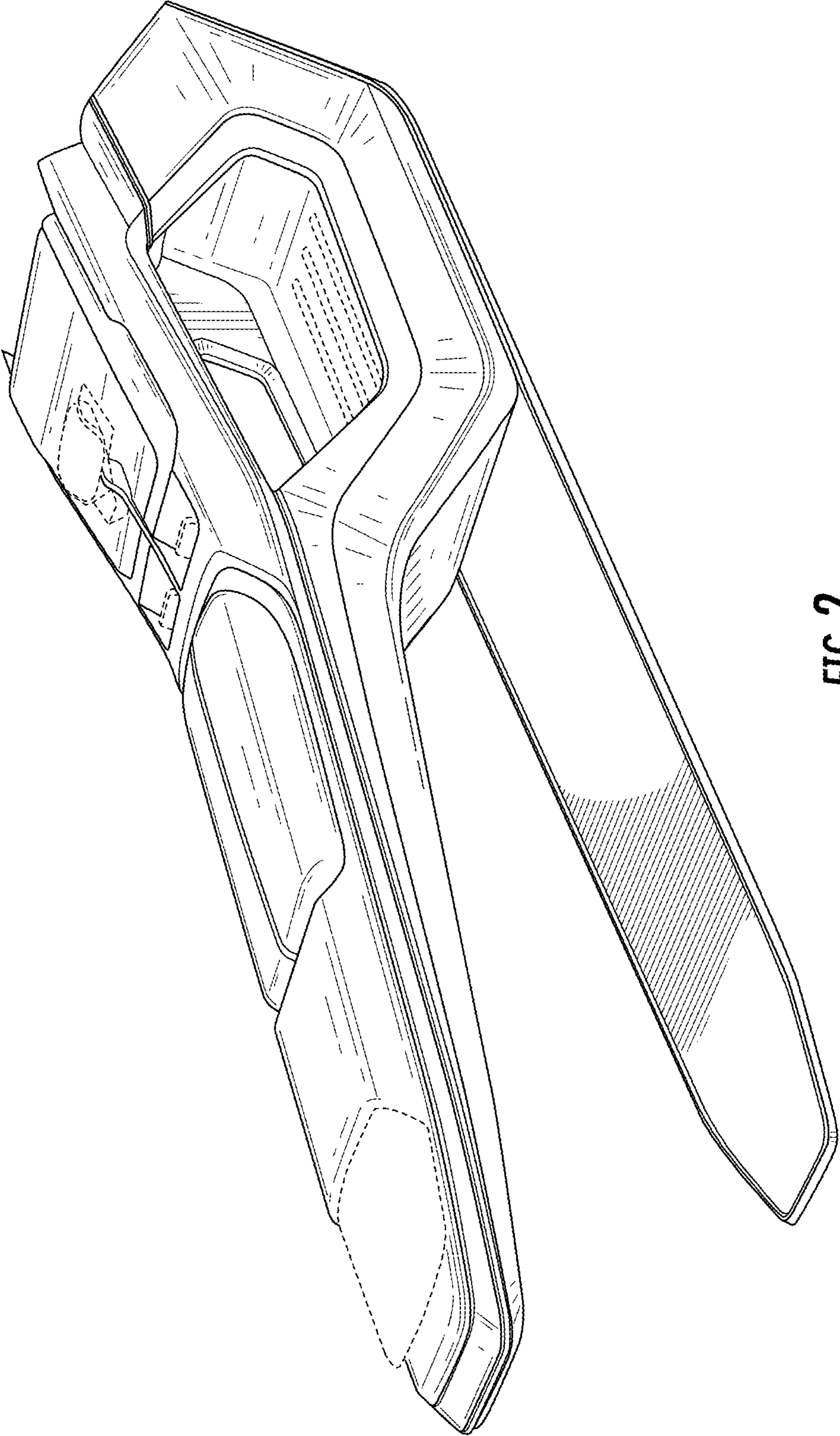


FIG. 2

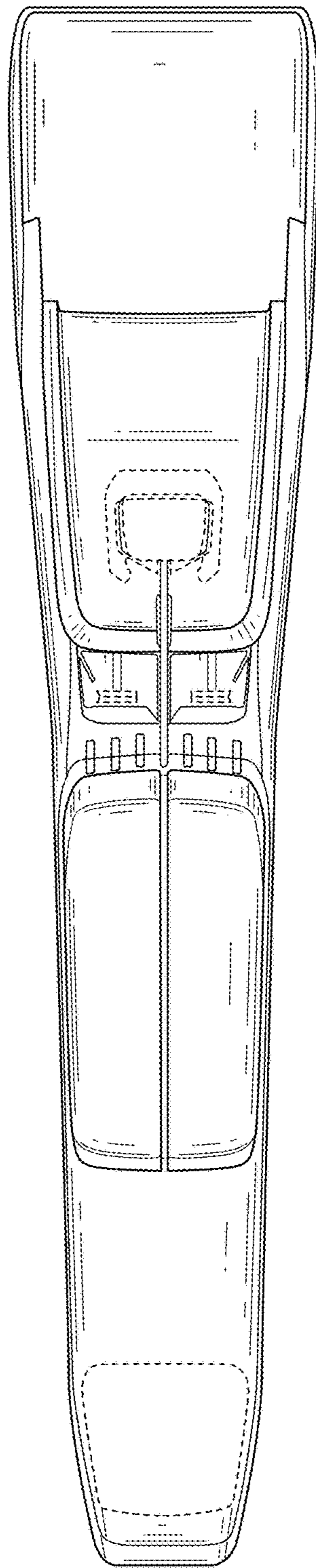


FIG. 3

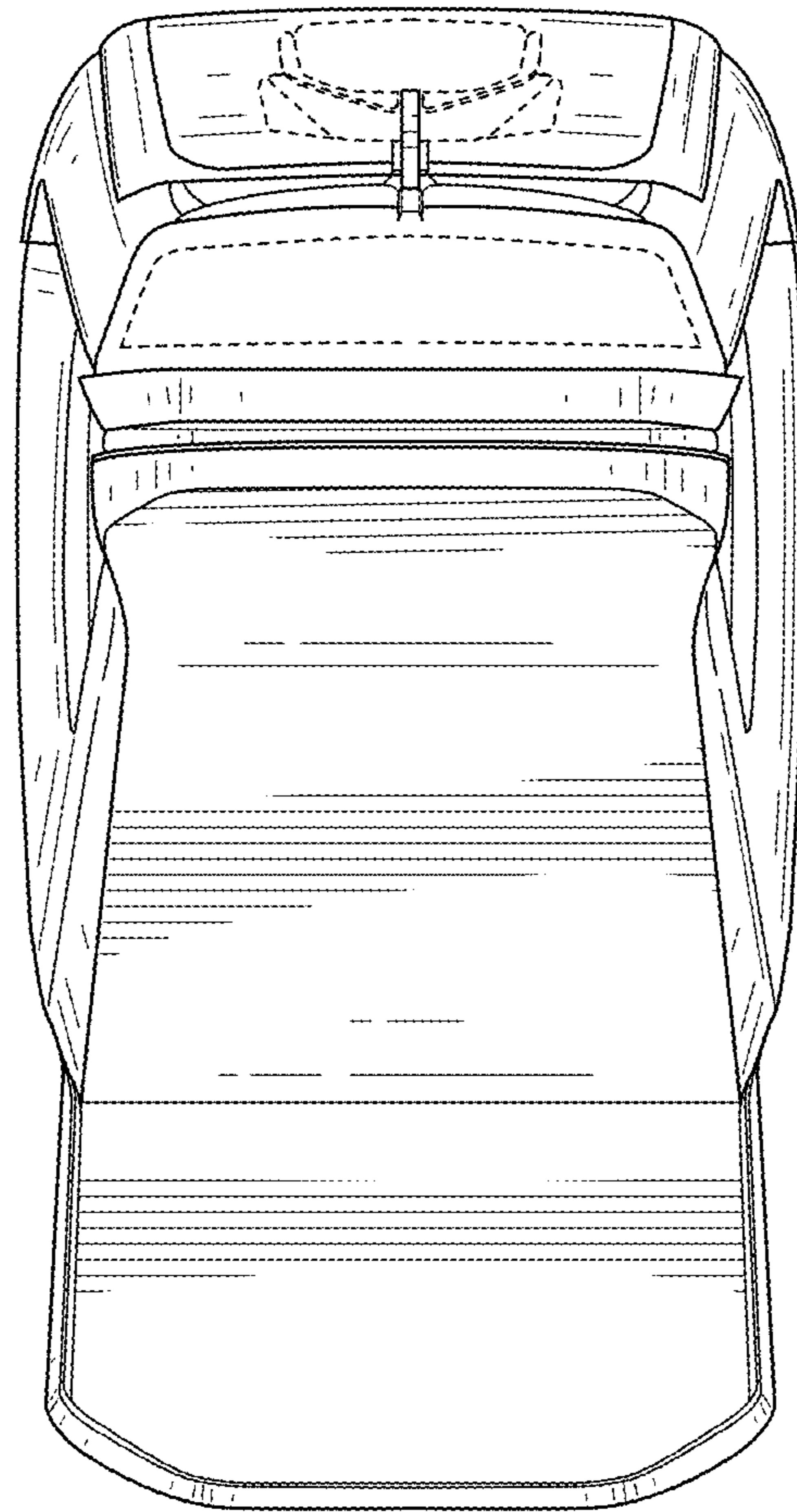


FIG. 4