



US00D824323S

(12) **United States Design Patent** (10) **Patent No.:** **US D824,323 S**
Amos et al. (45) **Date of Patent:** **** Jul. 31, 2018**

(54) **UNDER-SEAT CONTAINER**
(71) Applicants: **Joseph Amos**, Syracuse, UT (US);
Monica Amos, Syracuse, UT (US)
(72) Inventors: **Joseph Amos**, Syracuse, UT (US);
Monica Amos, Syracuse, UT (US)
(**) Term: **15 Years**
(21) Appl. No.: **29/596,628**
(22) Filed: **Mar. 9, 2017**
(51) **LOC (11) Cl.** **12-16**
(52) **U.S. Cl.**
USPC **D12/415**
(58) **Field of Classification Search**
USPC D12/416, 415, 417, 418, 419, 423;
D6/513, 514, 611, 553, 556, 559;
D3/216, 217, 319; D7/601, 602, 605-607
CPC B65D 33/00; B64D 11/0636; B60N 3/004
See application file for complete search history.

D382,534 S * 8/1997 Green D12/406
D424,805 S * 5/2000 Green D3/304
D430,090 S * 8/2000 Walterscheid D12/195
D525,308 S * 7/2006 Lara D19/92
D548,156 S * 8/2007 Elwell D12/195
D612,153 S * 3/2010 Liao D3/304
D793,948 S * 8/2017 Nunez D12/415

* cited by examiner

Primary Examiner — Katrina A Betton
(74) *Attorney, Agent, or Firm* — Bryant J. Keller; Kirton
McConkie

(57) **CLAIM**

The ornamental design for an under-seat container, as shown and described.

DESCRIPTION

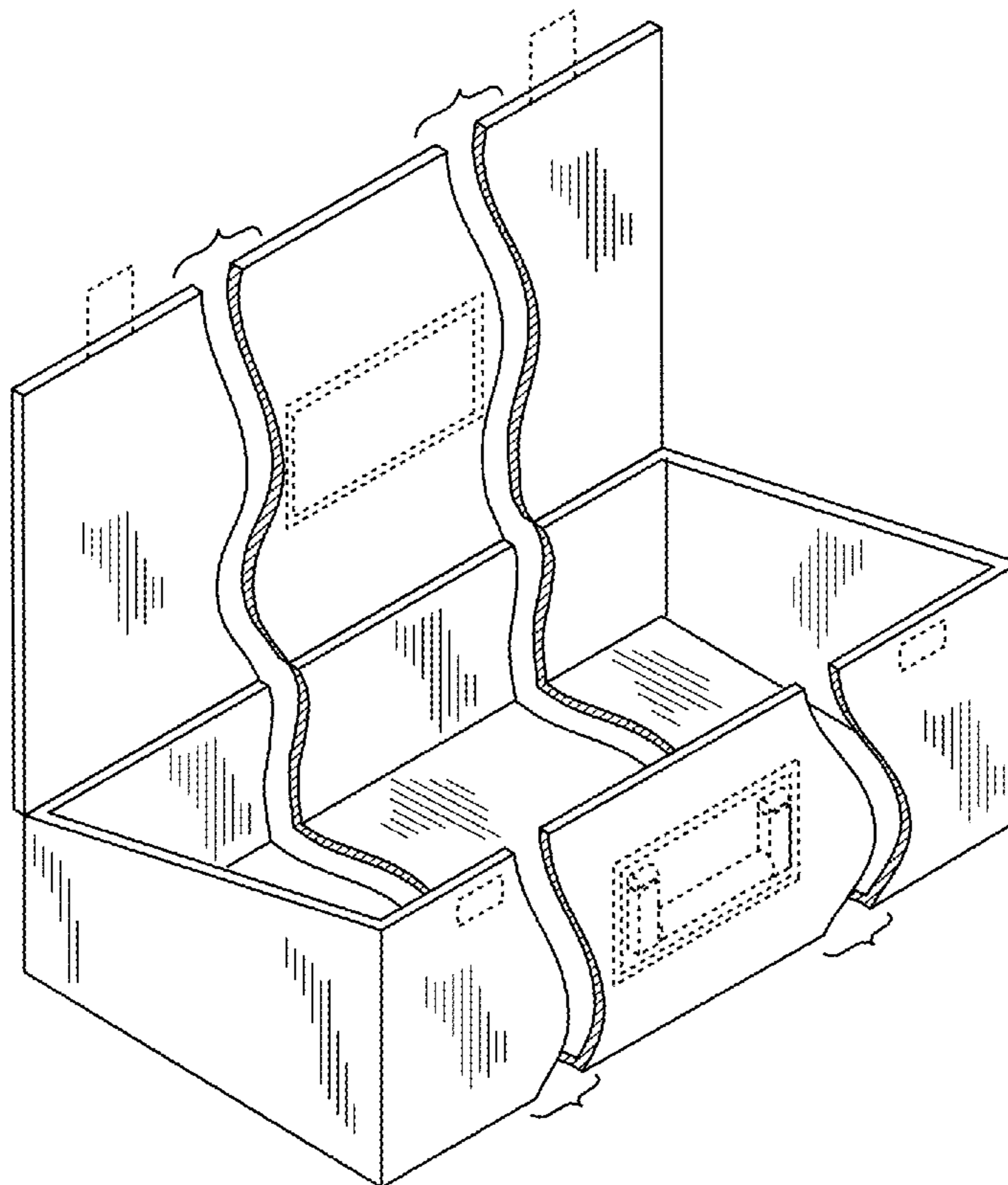
FIG. 1 is a front and left side perspective view of an under-seat container, embodying our new design, the front and right side perspective view being a mirror image thereof;
FIG. 2 is a front elevation view thereof;
FIG. 3 is a back elevation view thereof;
FIG. 4 is a top plan view thereof;
FIG. 5 is a bottom plan view thereof;
FIG. 6 is a left side elevation view thereof;
FIG. 7 is a right side elevation view thereof; and,
FIG. 8 is a right side perspective view thereof.
The broken lines are for environmental purposes only and form no part of the claimed design.

(56) **References Cited**

U.S. PATENT DOCUMENTS

D282,883 S * 3/1986 Kiiski D3/304
D299,186 S * 1/1989 Sills D12/425
D338,780 S * 8/1993 Rance D12/416
D346,402 S * 4/1994 Hassel D19/75
D362,685 S * 9/1995 Perkitny D19/75

1 Claim, 5 Drawing Sheets



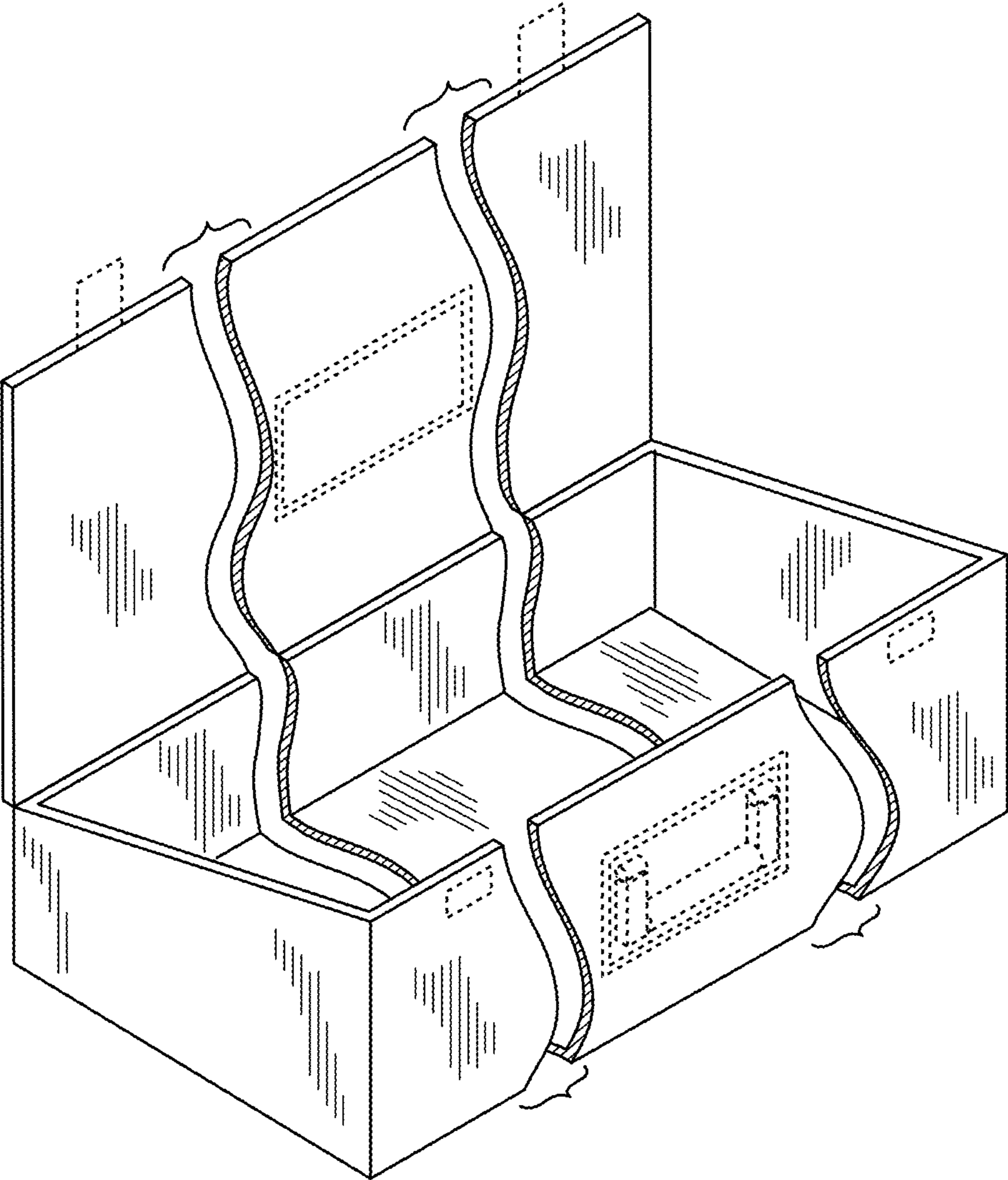


FIG. 1

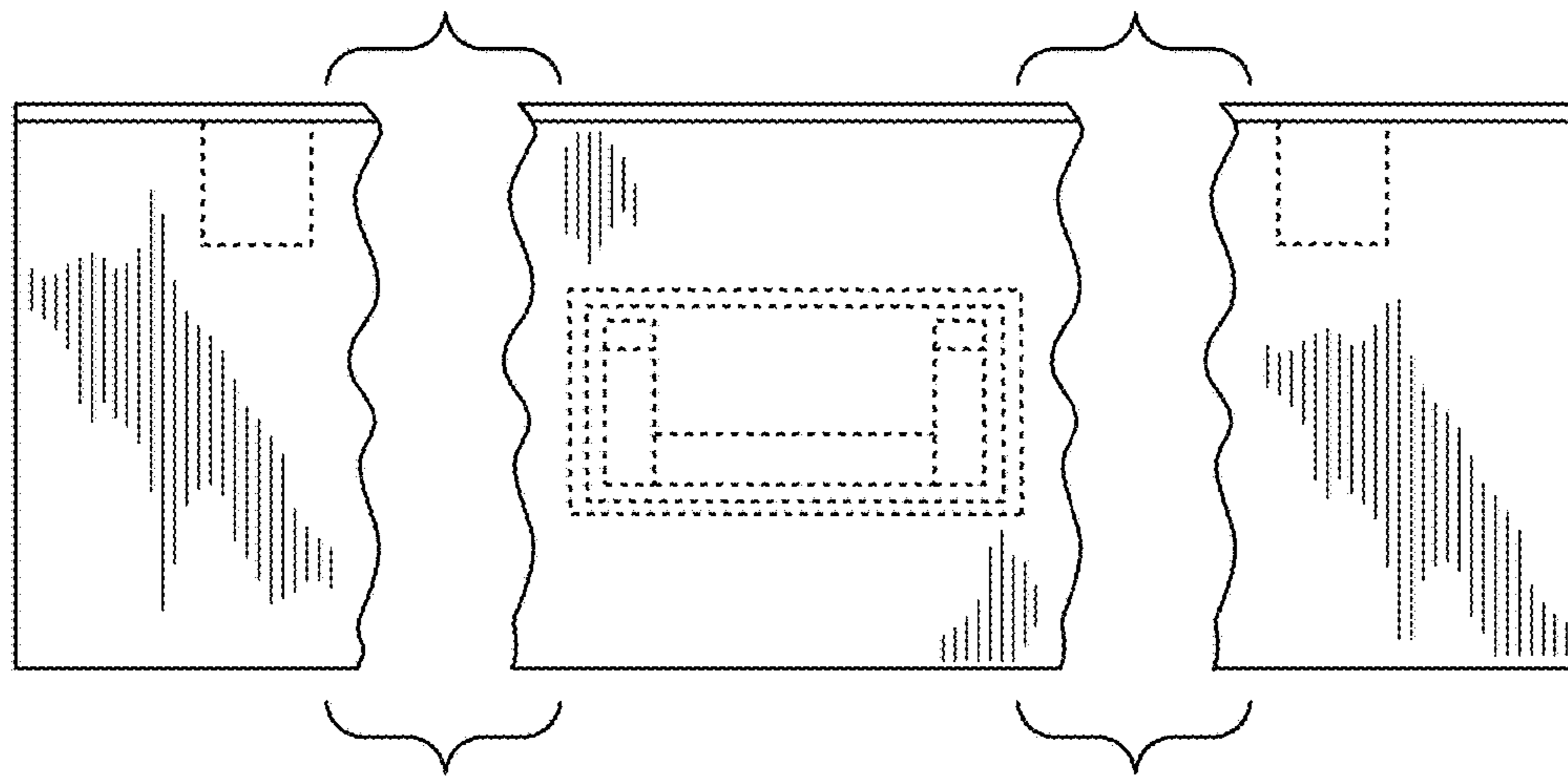


FIG. 2

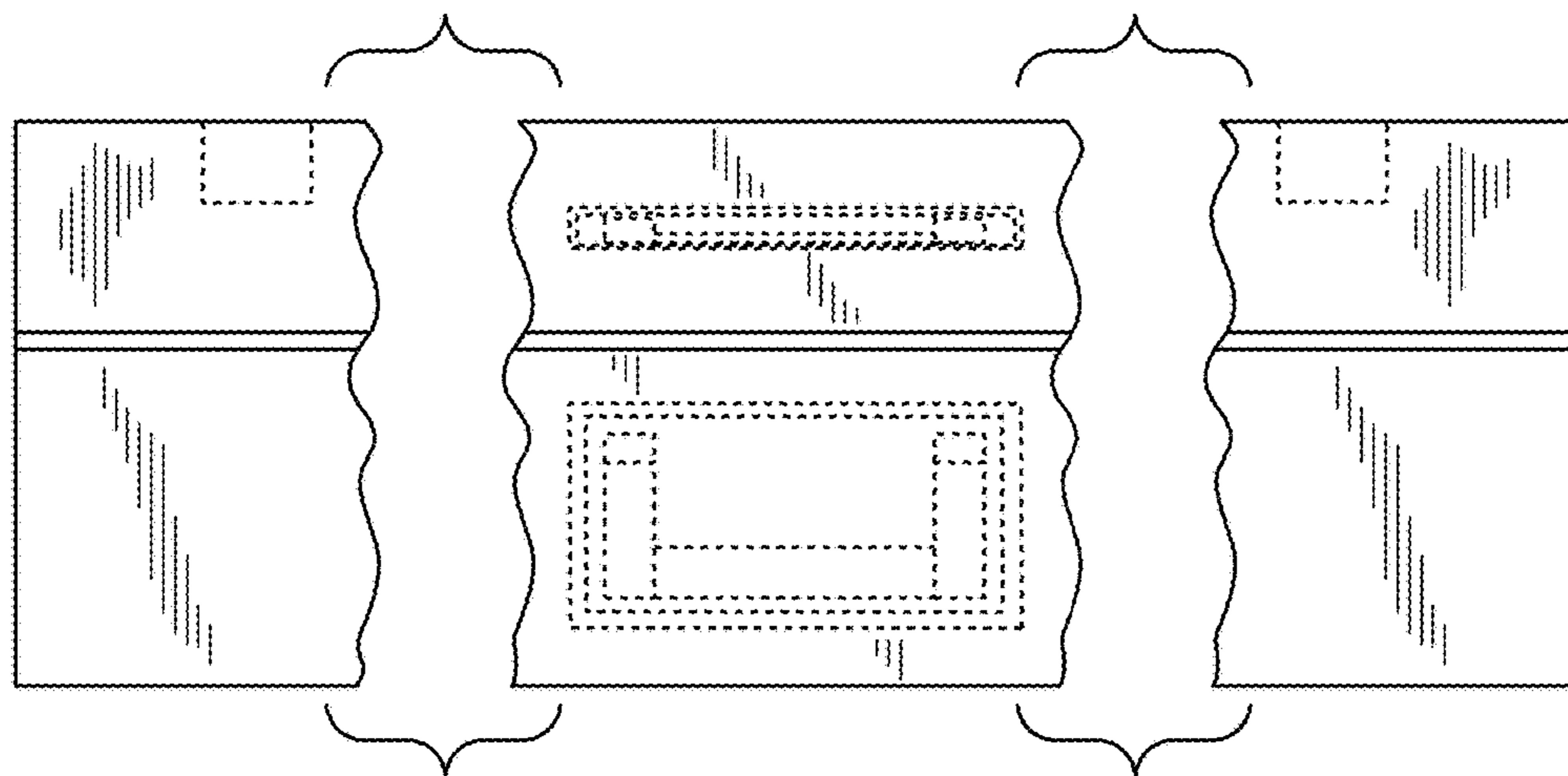


FIG. 3

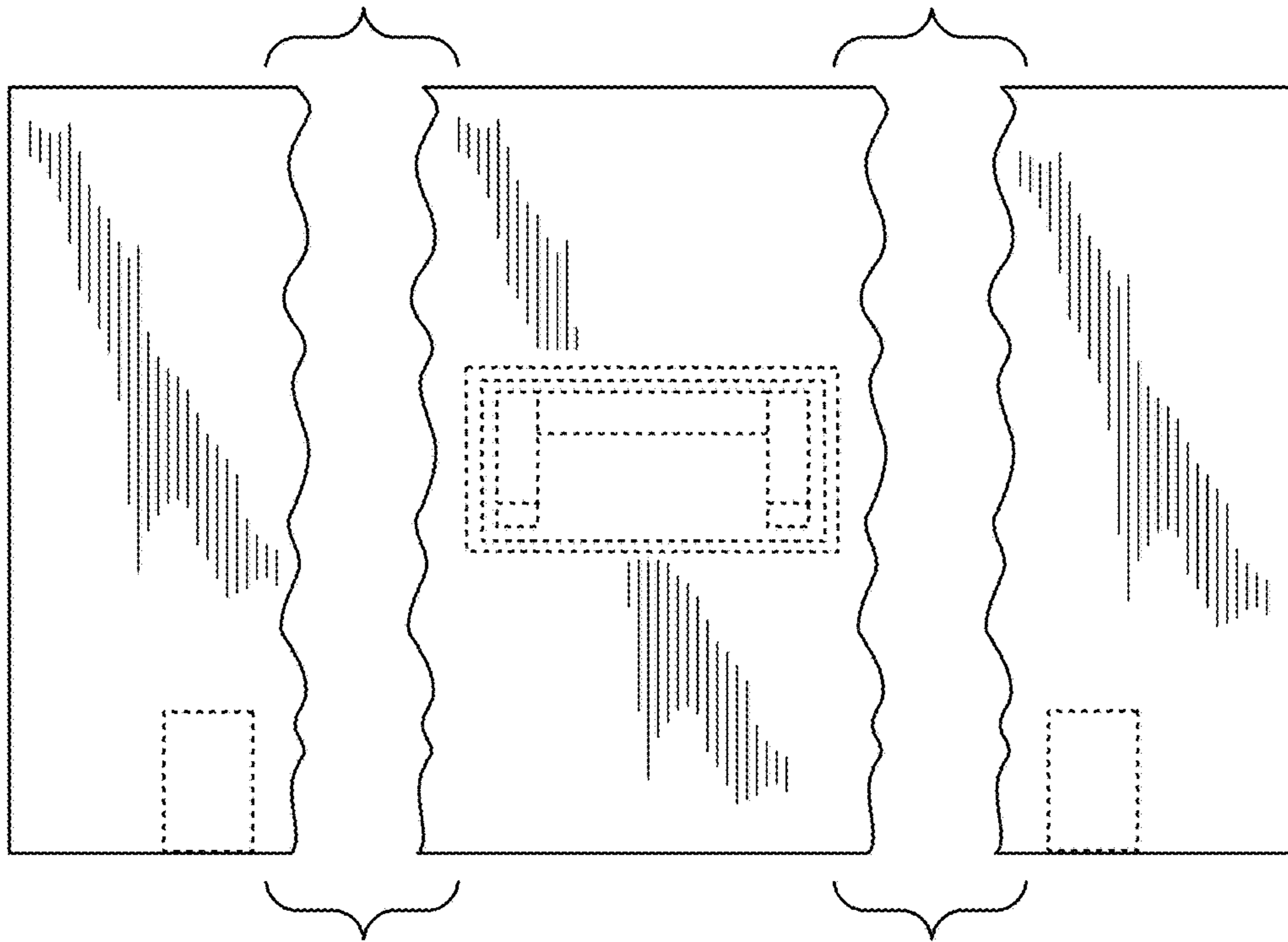


FIG. 4

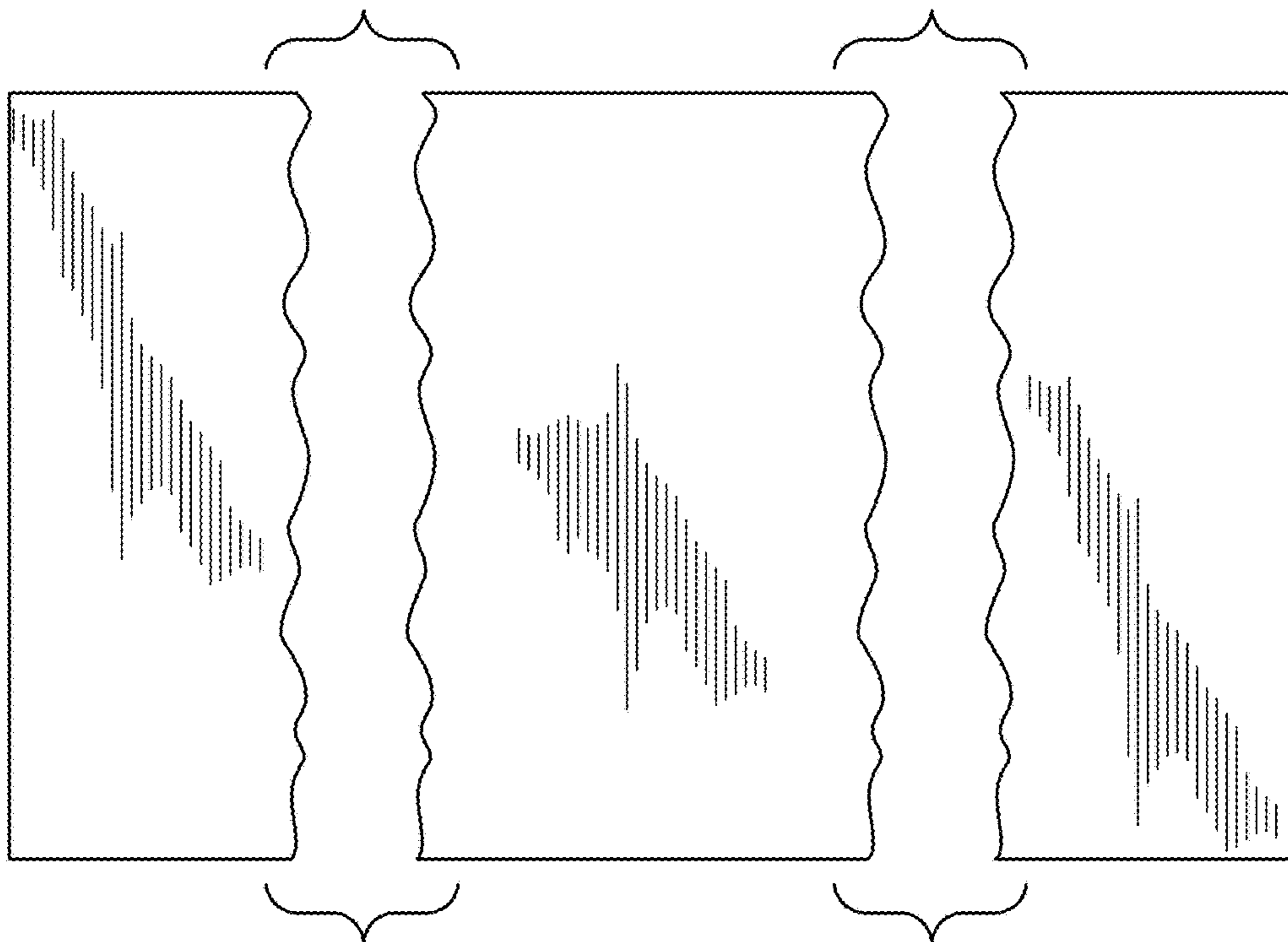


FIG. 5

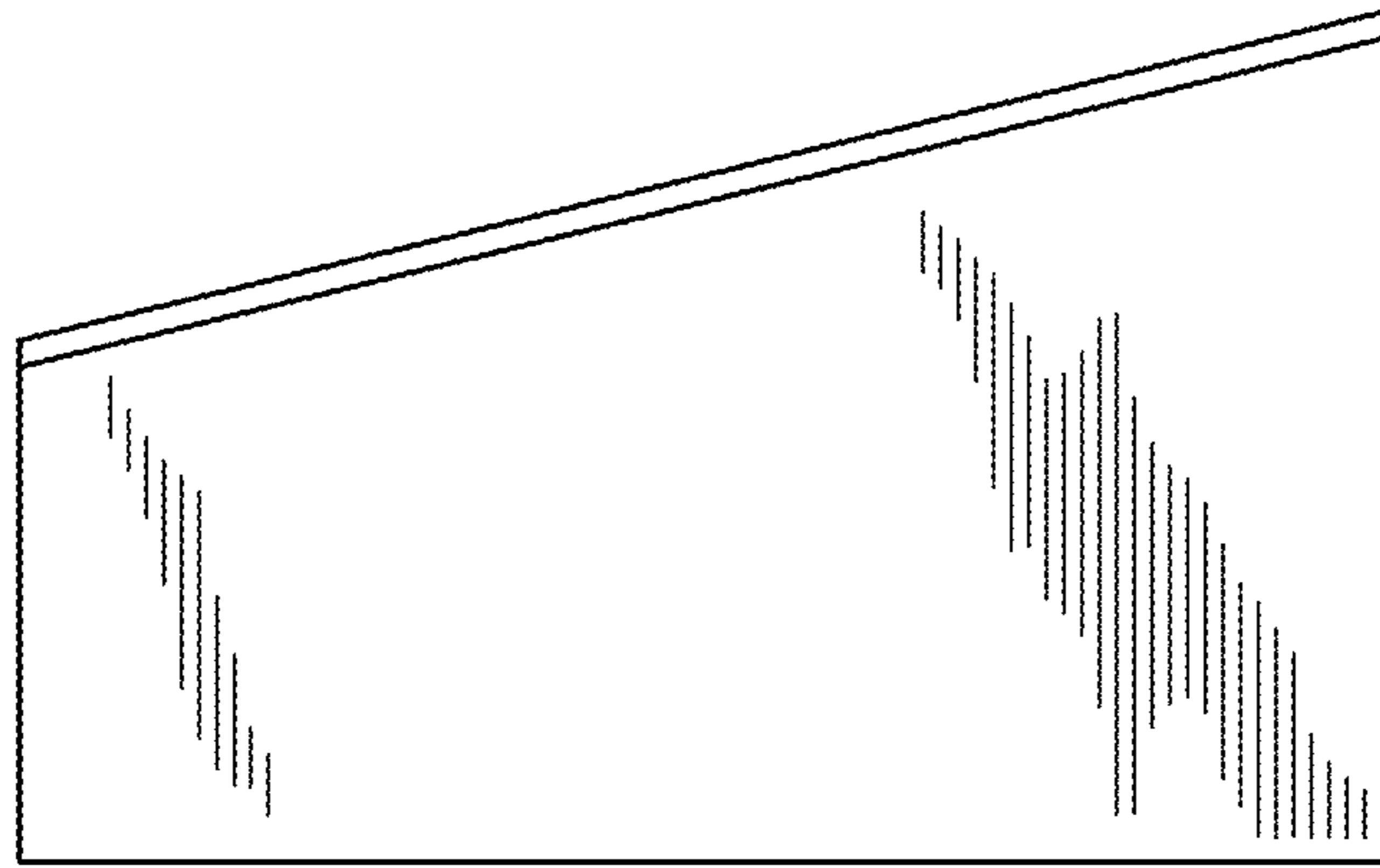


FIG. 6

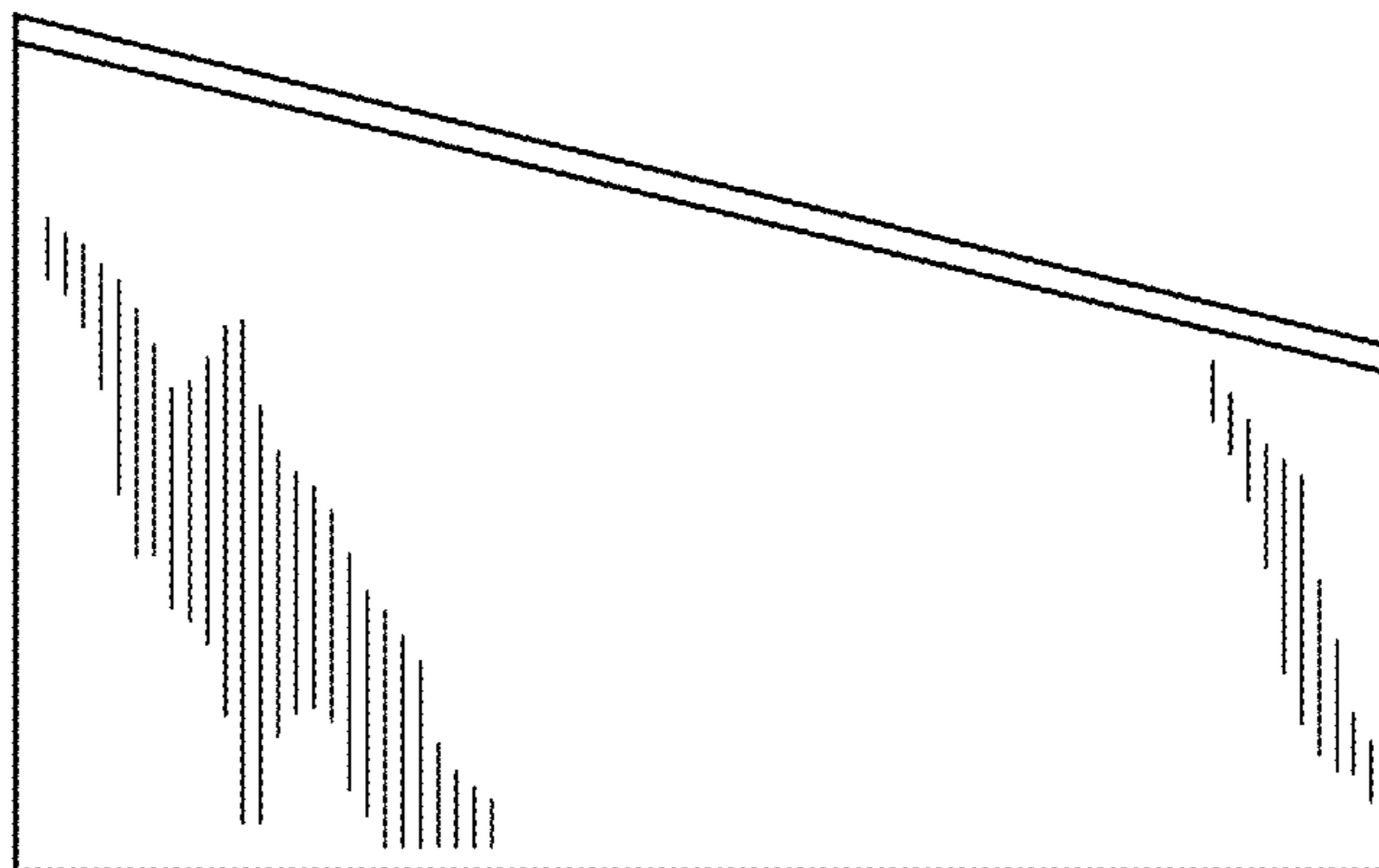


FIG. 7

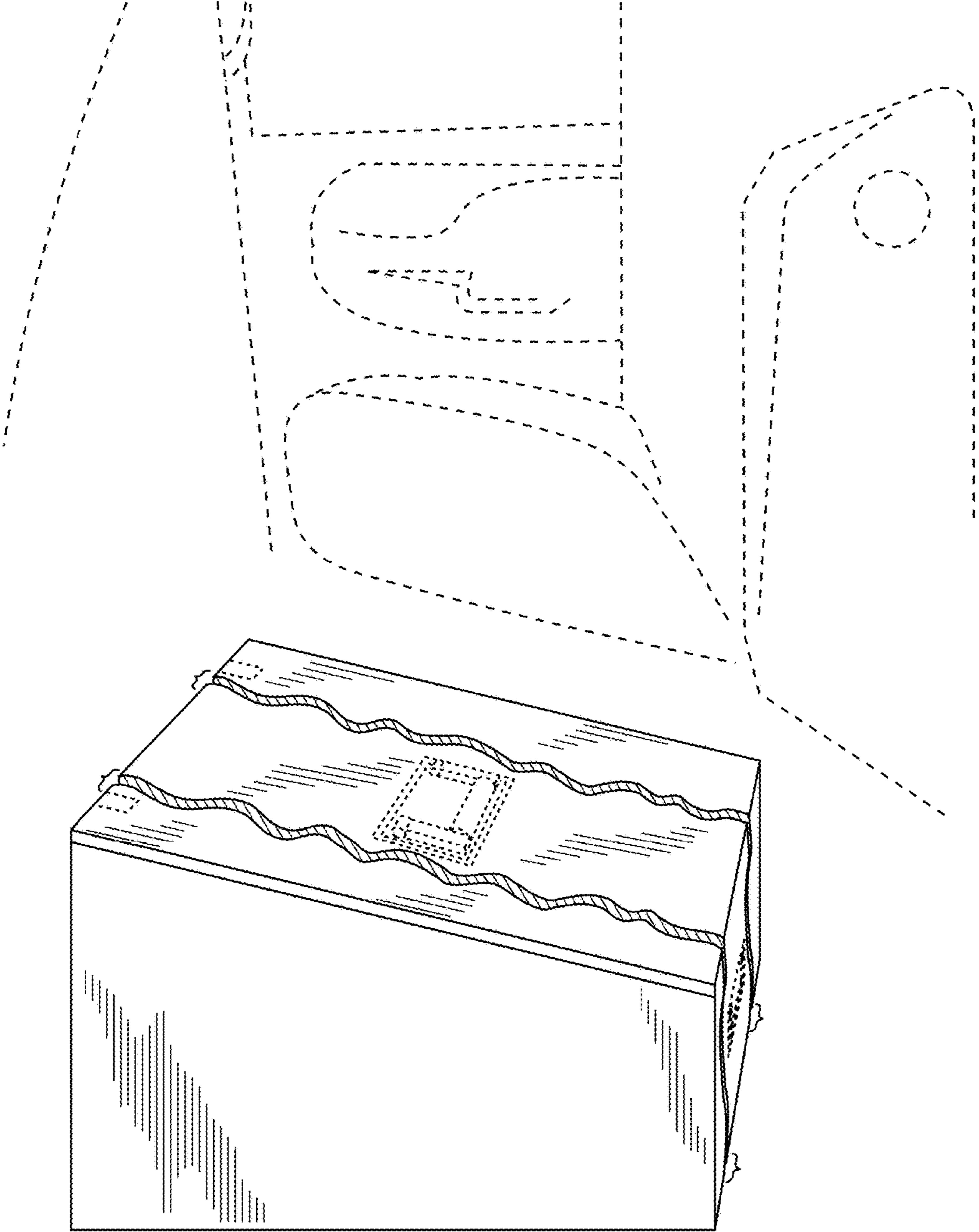


FIG. 8