



US00D824322S

(12) **United States Design Patent**  
**Rossi et al.**

(10) **Patent No.:** **US D824,322 S**  
(45) **Date of Patent:** **\*\* Jul. 31, 2018**

- (54) **MOBILE SHOWROOM**
- (71) Applicant: **RGI MARKETING GROUP, INC.**,  
Altamonte Springs, FL (US)
- (72) Inventors: **Tony Rossi**, Apopka, FL (US); **Ryan Solomon**, Altamonte Springs, FL (US)
- (73) Assignee: **RGI Marketing Group, Inc.**,  
Altamonte Springs, FL (US)
- (\*\*) Term: **15 Years**
- (21) Appl. No.: **29/589,573**
- (22) Filed: **Jan. 3, 2017**
- (51) **LOC (11) Cl.** ..... **12-16**
- (52) **U.S. Cl.**  
USPC ..... **D12/403**
- (58) **Field of Classification Search**  
USPC ..... D6/596, 601, 602, 603, 610, 611, 615,  
D6/617, 621, 641, 657, 685, 686, 689,  
D6/690, 691, 691.1, 691.2, 691.3, 691.4,  
D6/691.5, 691.6, 691.7, 691.8, 691.9,  
D6/699, 699.1, 699.2, 699.3, 699.4,  
D6/699.5, 702, 707, 707.15, 707.19, 708,  
D6/709; D7/332, 334, 335, 336, 337;  
D12/401, 402, 403, 404, 405, 406, 407  
CPC ..... B62J 1/18; B62J 1/22; B62J 1/24; B62J  
1/26; B62J 1/28; B62J 19/00; E04H  
15/06  
See application file for complete search history.

- 6,082,269 A \* 7/2000 Padberg ..... B60R 9/06  
108/44
- 6,250,702 B1 \* 6/2001 Eipper ..... B60N 3/001  
108/44
- 6,739,269 B1 \* 5/2004 Benton ..... A47B 31/06  
108/152
- 6,808,231 B1 \* 10/2004 Hill ..... B60R 9/06  
296/26.09
- 6,883,849 B2 \* 4/2005 Hebert ..... B60P 1/003  
224/403
- D650,310 S \* 12/2011 Varotsos ..... D12/1
- 8,291,832 B2 \* 10/2012 Fisher ..... A47B 37/04  
108/44
- 8,616,630 B1 \* 12/2013 Midkiff ..... A47B 83/02  
108/44
- 9,718,411 B2 \* 8/2017 Field, Jr. .... B60R 9/06
- 2004/0026946 A1 2/2004 Reed, III
- 2004/0027001 A1 2/2004 Reed, III

(Continued)

*Primary Examiner* — Mary Ann Calabrese  
*Assistant Examiner* — Catherine Ho  
(74) *Attorney, Agent, or Firm* — Dickinson Wright PLLC

(57) **CLAIM**

The ornamental design for a mobile showroom, as shown and described.

**DESCRIPTION**

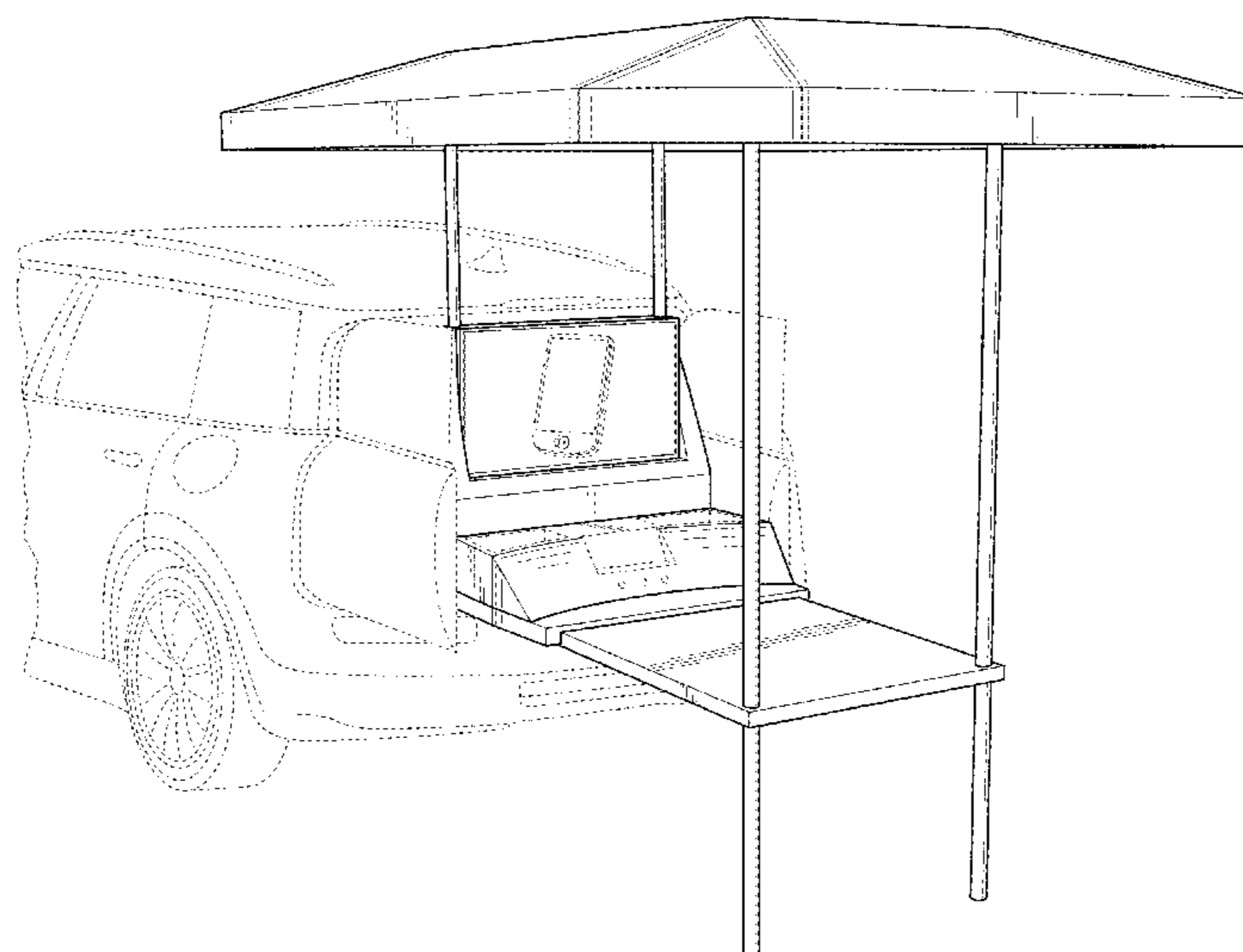
FIG. 1 is a perspective view of a mobile showroom, showing our new design;  
FIG. 2 is another perspective view thereof;  
FIG. 3 is a side elevation view thereof;  
FIG. 4 is the opposite side view thereof;  
FIG. 5 is a top view with canopy removed for clarity of disclosure thereof;  
FIG. 6 is a front elevation view thereof;  
FIG. 7 is a rear elevation view thereof; and,  
FIG. 8 is a top view thereof.  
In the drawings, the broken lines depict environmental subject matter that forms no part of the claimed design.

**1 Claim, 8 Drawing Sheets**

(56) **References Cited**

**U.S. PATENT DOCUMENTS**

- 2,471,730 A \* 5/1949 Doerr ..... B60N 3/001  
108/33
- 2,771,318 A \* 11/1956 Jagsch ..... B60P 3/0257  
296/22
- 2,982,578 A 5/1961 Lowe
- 4,887,526 A \* 12/1989 Blatt ..... B60N 3/001  
108/44



(56)

**References Cited**

U.S. PATENT DOCUMENTS

2009/0127306	A1	5/2009	Mims	
2009/0289017	A1	11/2009	Koeze	
2011/0204756	A1*	8/2011	DeMars	..... A47F 9/00 312/140.2
2012/0031686	A1	2/2012	Ferrigni	
2013/0099519	A1	4/2013	Cohen	
2013/0160755	A1	6/2013	Amat I. Pujol	
2014/0217765	A1	8/2014	Johnson	

\* cited by examiner

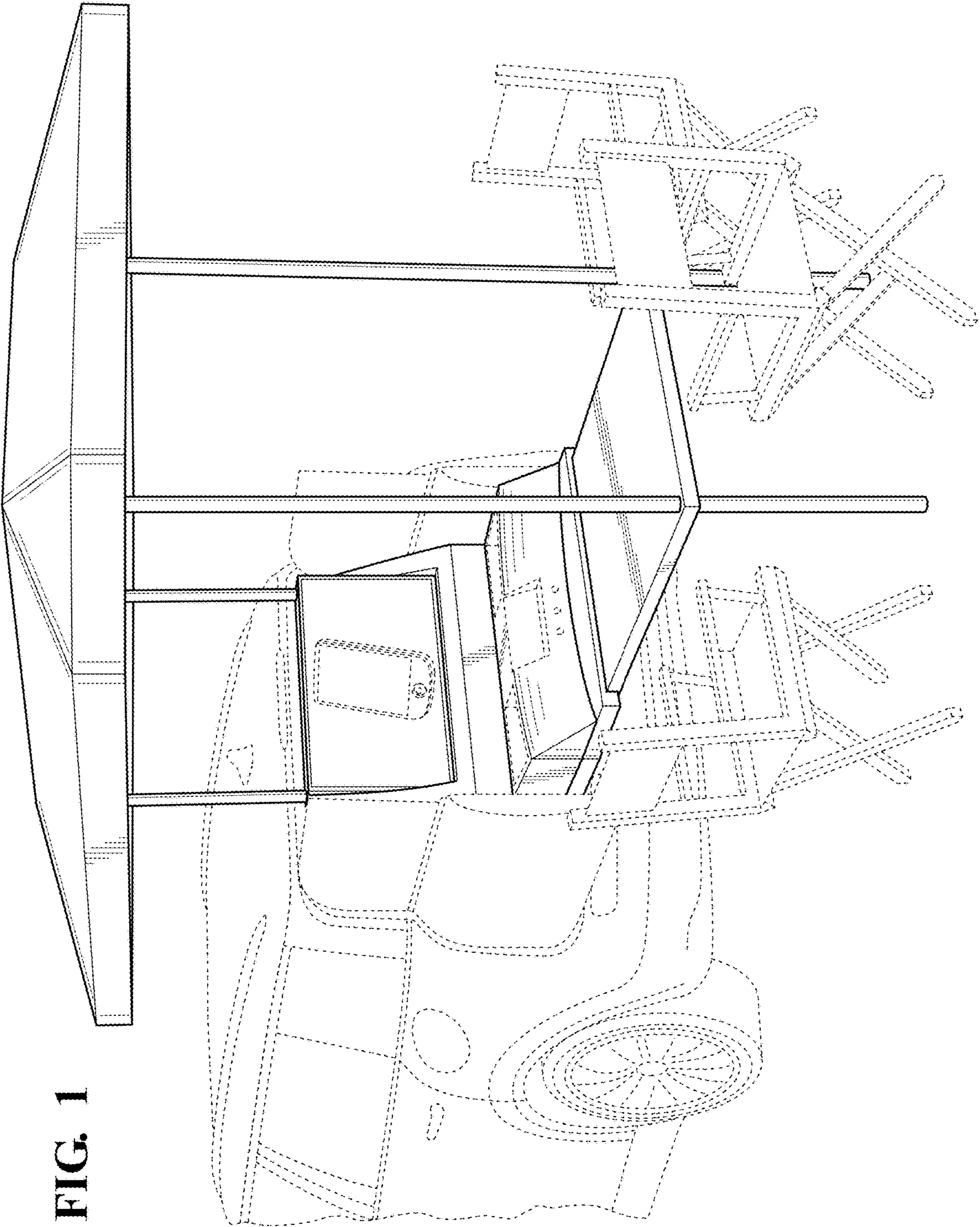


FIG. 1

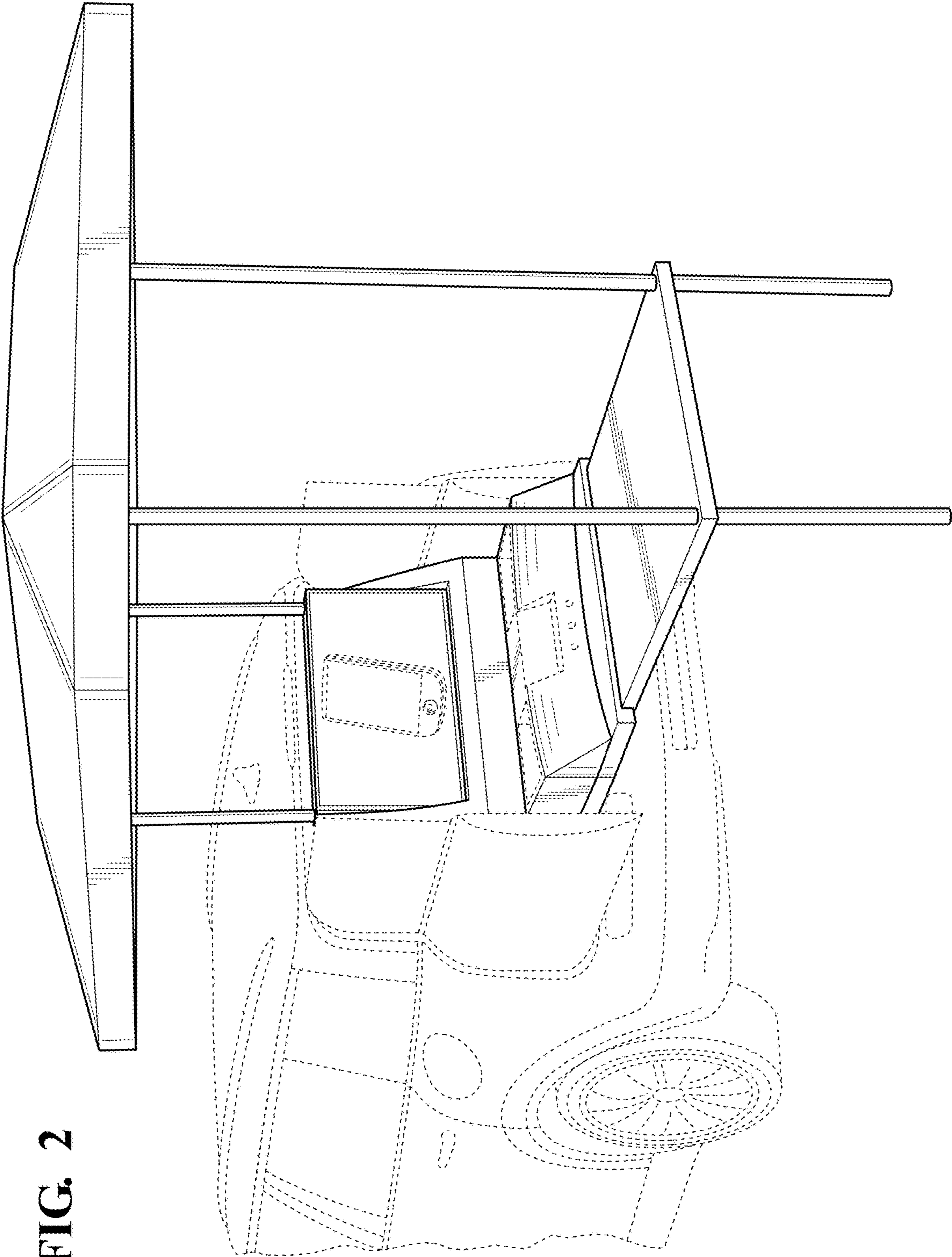


FIG. 2



FIG. 3

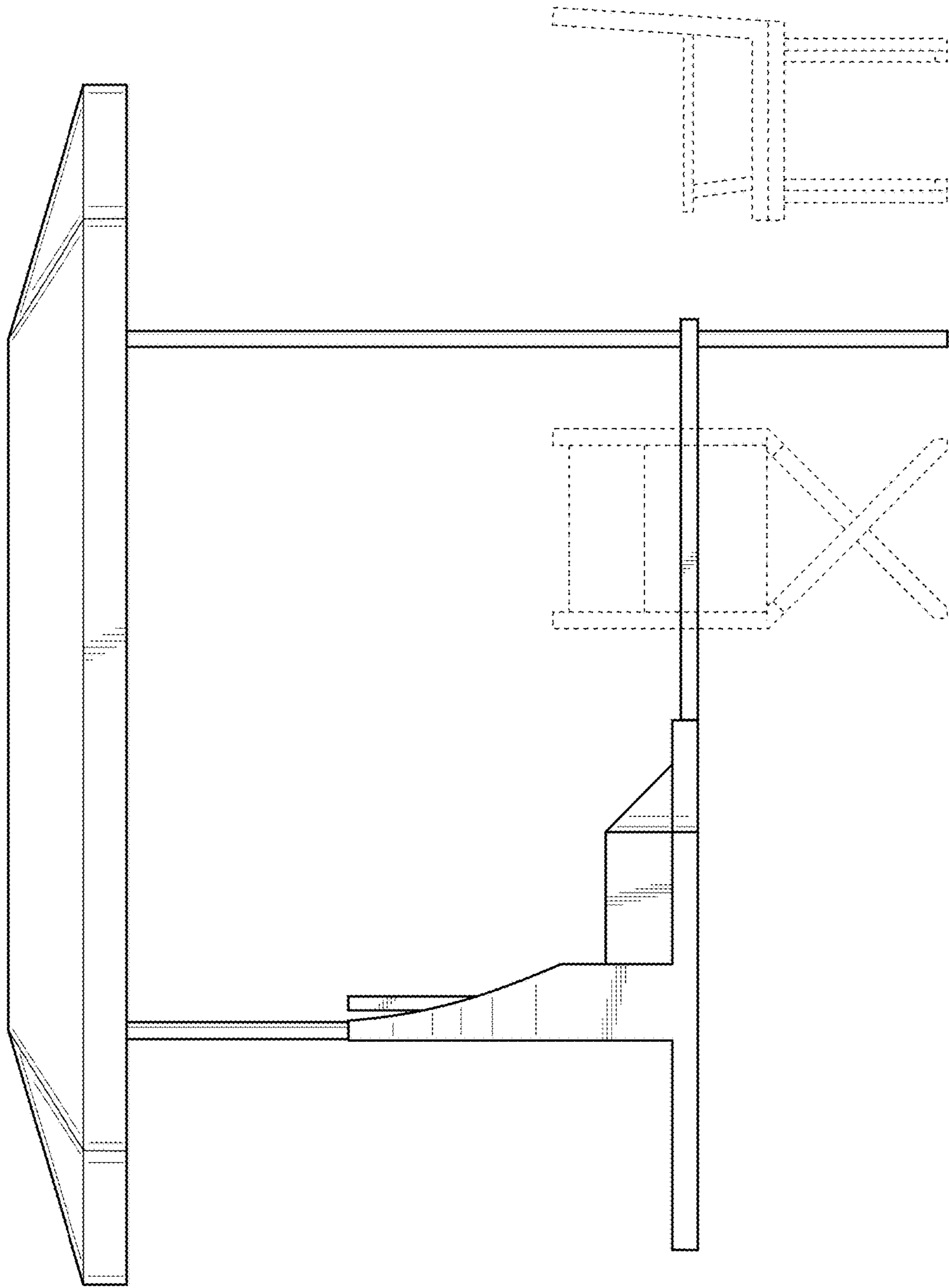
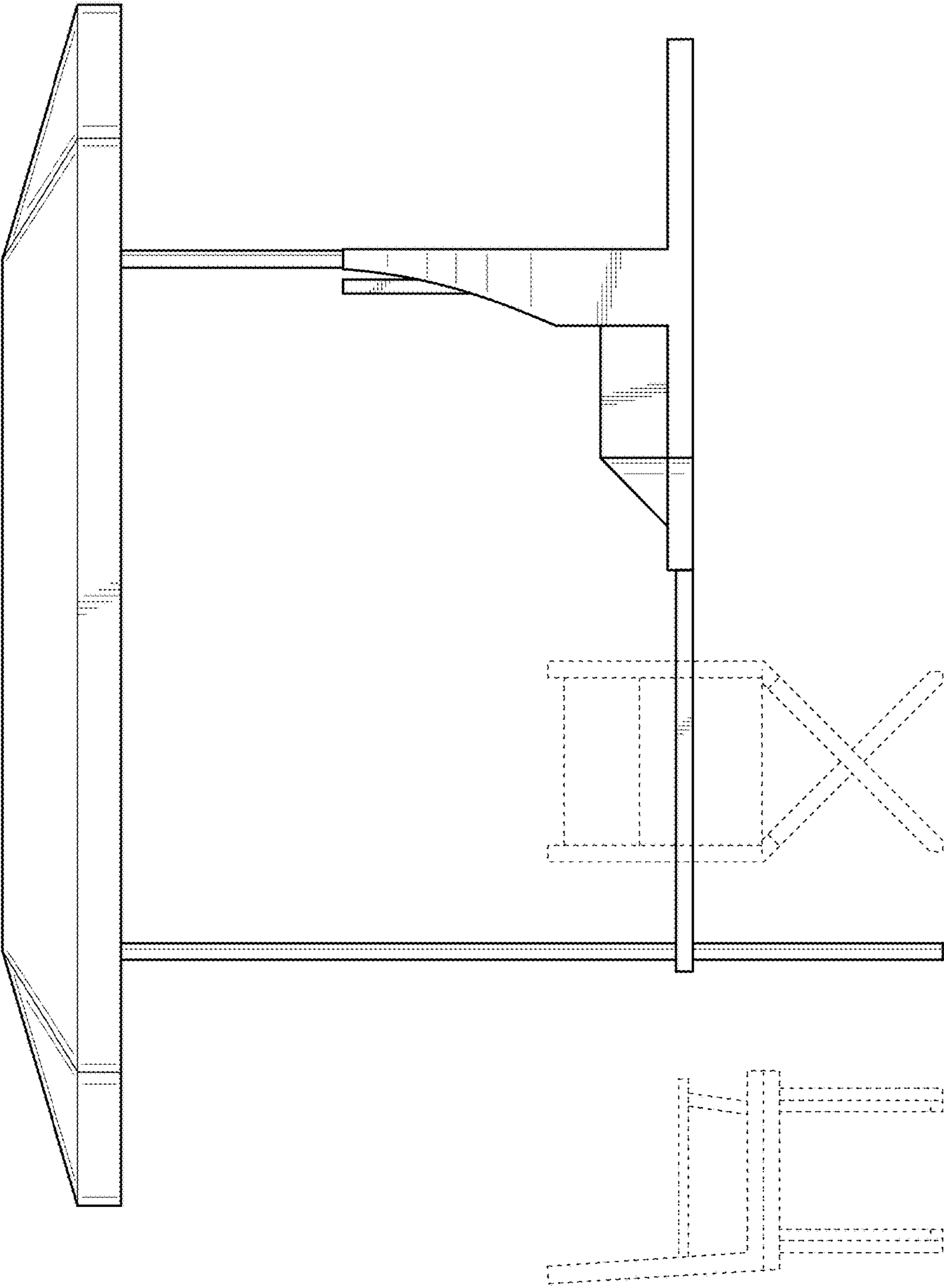
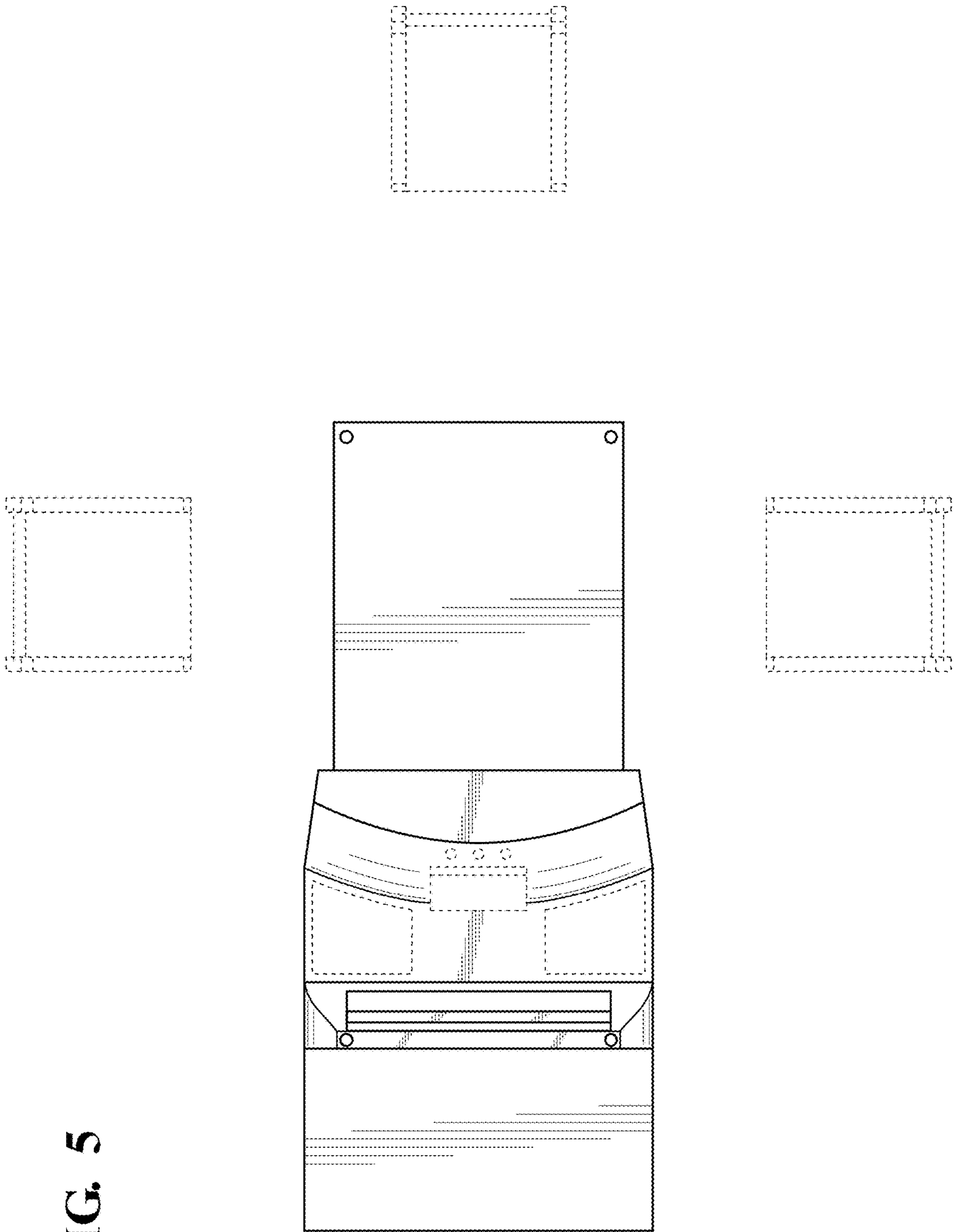


FIG. 4





**FIG. 5**

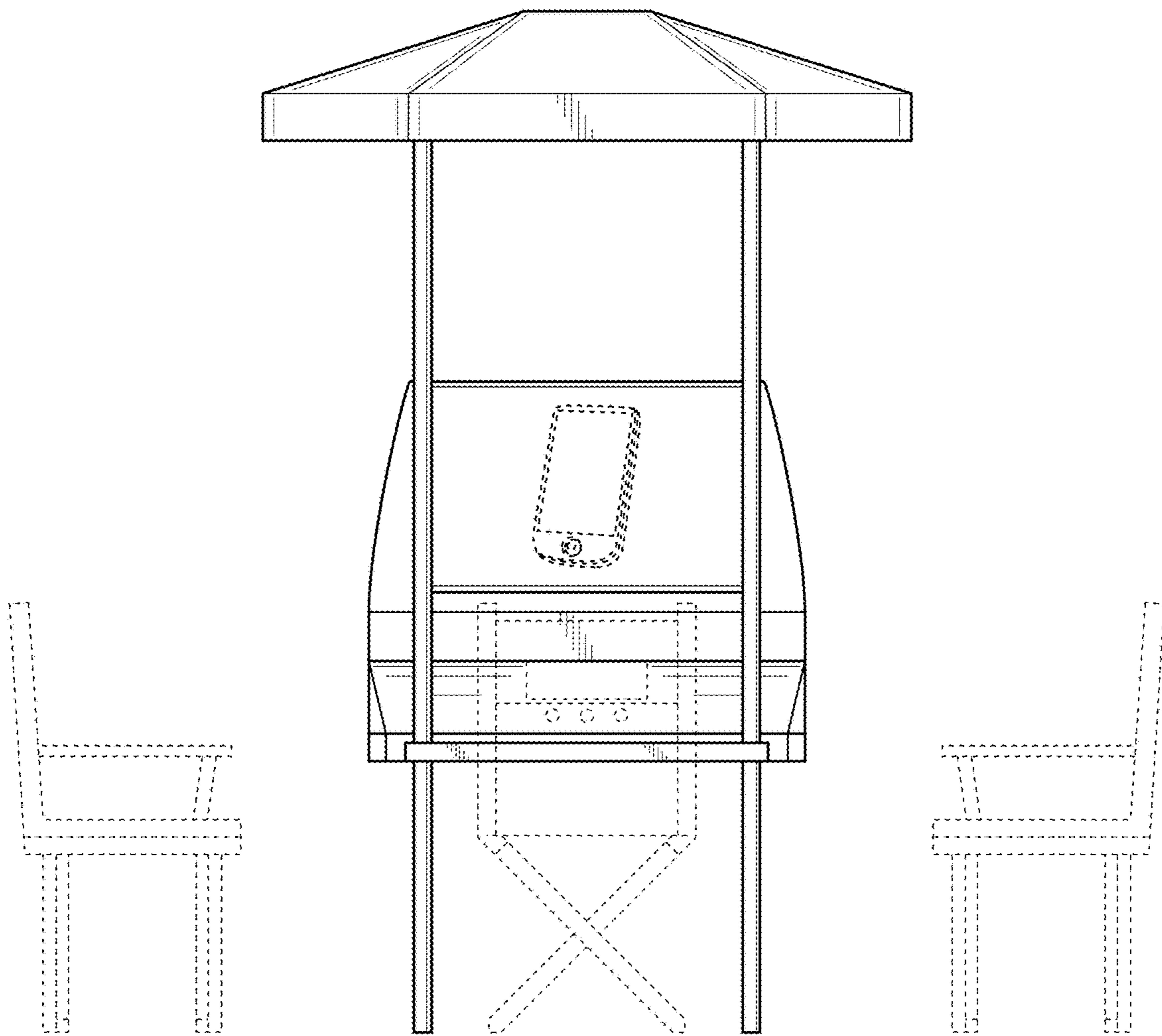


FIG. 6



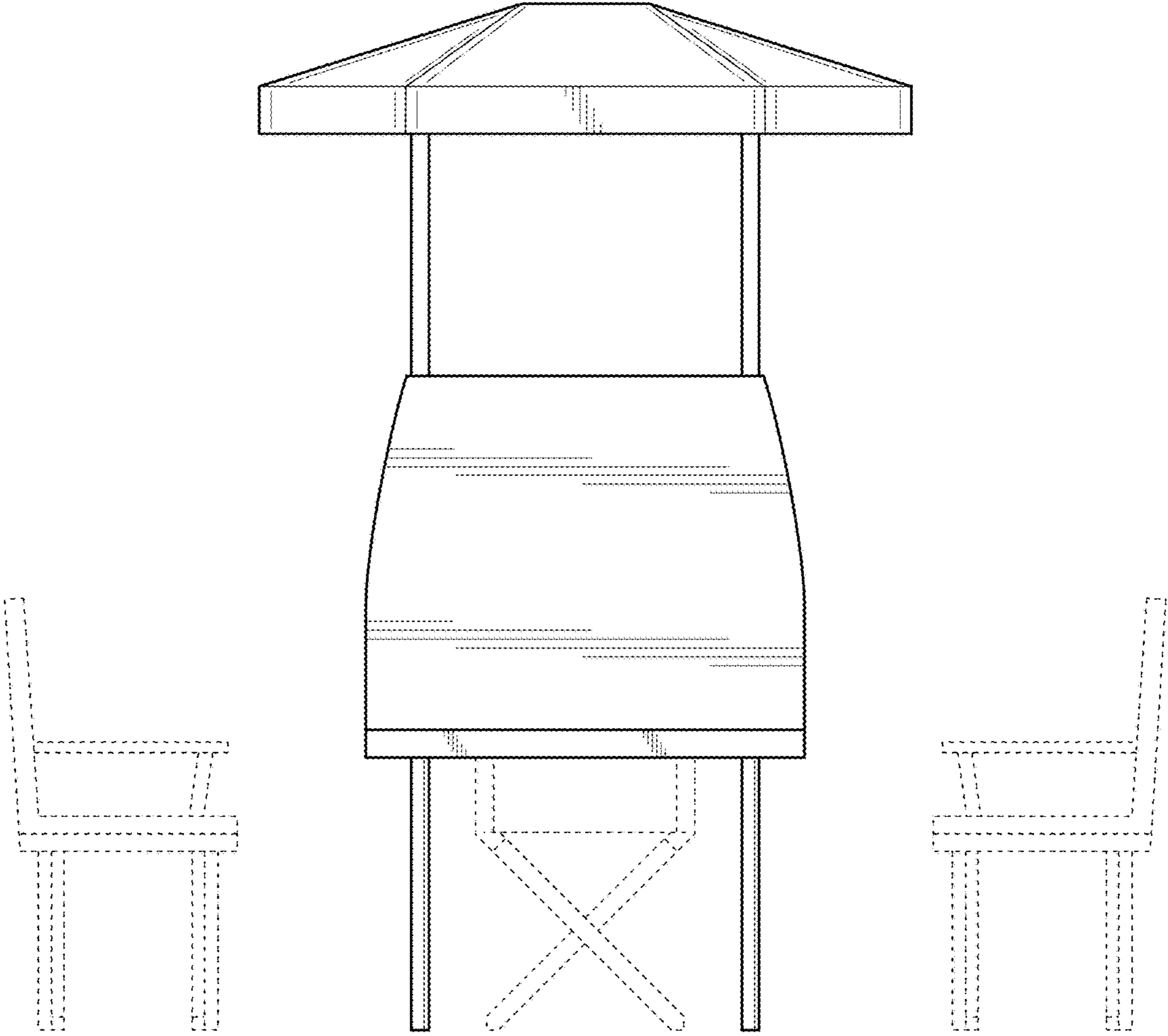


FIG. 7

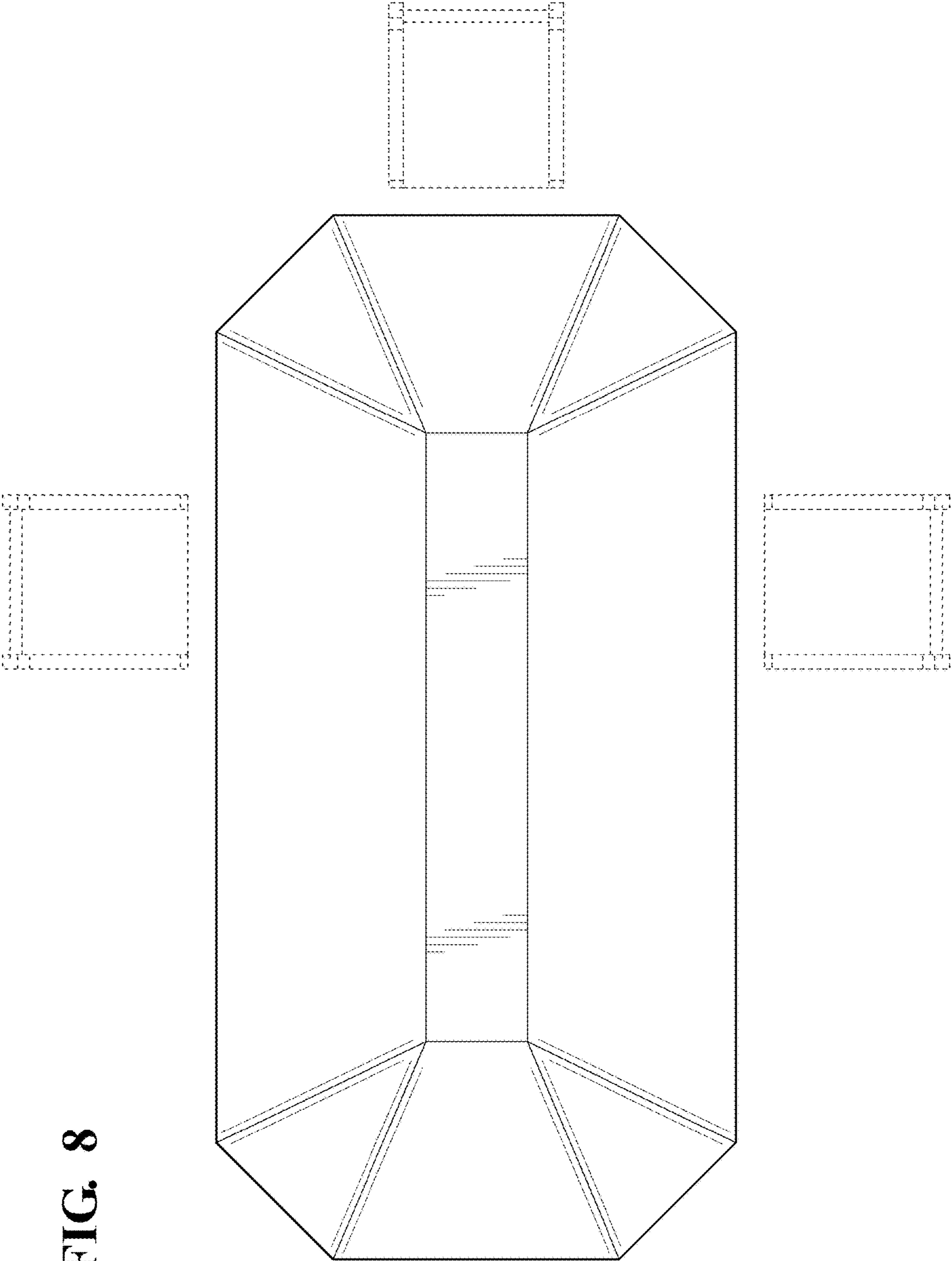


FIG. 8