



US00D824318S

(12) **United States Design Patent**
Wheel

(10) **Patent No.:** **US D824,318 S**

(45) **Date of Patent:** **** Jul. 31, 2018**

(54) **WHEEL**

(71) Applicant: **Jaguar Land Rover Limited**, Whitley,
Coventry (GB)

(72) Inventor: **Andrew Wheel**, Coventry (GB)

(73) Assignee: **Jaguar Land Rover Limited**, Whitley,
Coventry (GB)

(**) Term: **15 Years**

(21) Appl. No.: **29/591,106**

(22) Filed: **Jan. 17, 2017**

(30) **Foreign Application Priority Data**

Jul. 20, 2016 (EM) 003313485-0002

(51) **LOC (11) Cl.** **12-16**

(52) **U.S. Cl.**
USPC **D12/211**

(58) **Field of Classification Search**
USPC D12/204, 205, 206, 207, 208, 209, 210,
D12/211, 212, 213

CPC B60B 7/00; B60B 7/01; B60B 7/02; B60B
7/04; B60B 7/06; B60B 3/02; B60B 3/04;
B60B 3/06; B60B 3/10; B60B 1/00;
B60B 1/08; B60B 1/10; B60B 1/12

See application file for complete search history.

(56) **References Cited**

U.S. PATENT DOCUMENTS

D578,455 S * 10/2008 Pfeiffer D12/211
D591,661 S * 5/2009 Baum D12/209
D617,709 S * 6/2010 Borkert D12/209
D683,685 S * 6/2013 Pollmann D12/211

D695,199 S * 12/2013 Garbas D12/211
D696,177 S * 12/2013 Juergens D12/209
D758,275 S * 6/2016 Patel D12/209
D759,562 S * 6/2016 Wheel D12/209
D777,077 S * 1/2017 Bjerke D12/211
D781,205 S * 3/2017 O'Neill D12/211
D790,429 S * 6/2017 Juergens D12/211
D792,315 S * 7/2017 Mielke D12/211
D801,904 S * 11/2017 Groth D12/211
9,815,323 B2 * 11/2017 Chenault, III B60B 3/06
D806,633 S * 1/2018 Setter D12/211

OTHER PUBLICATIONS

<http://www.coventrywheels.com/custom-jaguar-wheels/>—Re-
trieved Mar. 12, 2018.*

<http://www.redbournwheels.com/land-rover-wheels/>—Retrieved
Mar. 12, 2018.*

* cited by examiner

Primary Examiner — Manpreet S Matharu

Assistant Examiner — Mojtaba Tehrani

(74) *Attorney, Agent, or Firm* — Wood Herron & Evans
LLP

(57) **CLAIM**

The ornamental design for a wheel, as shown and described.

DESCRIPTION

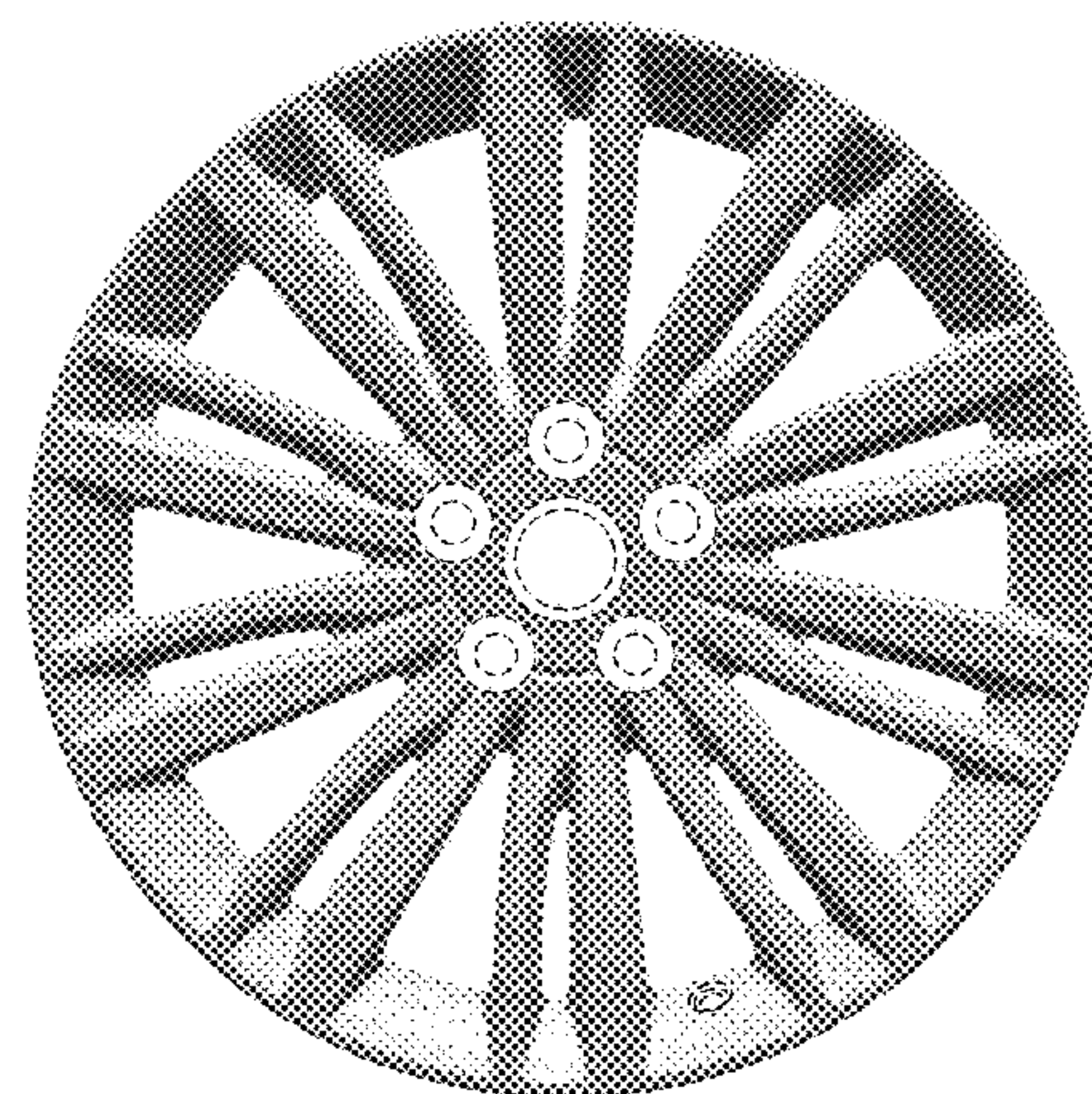
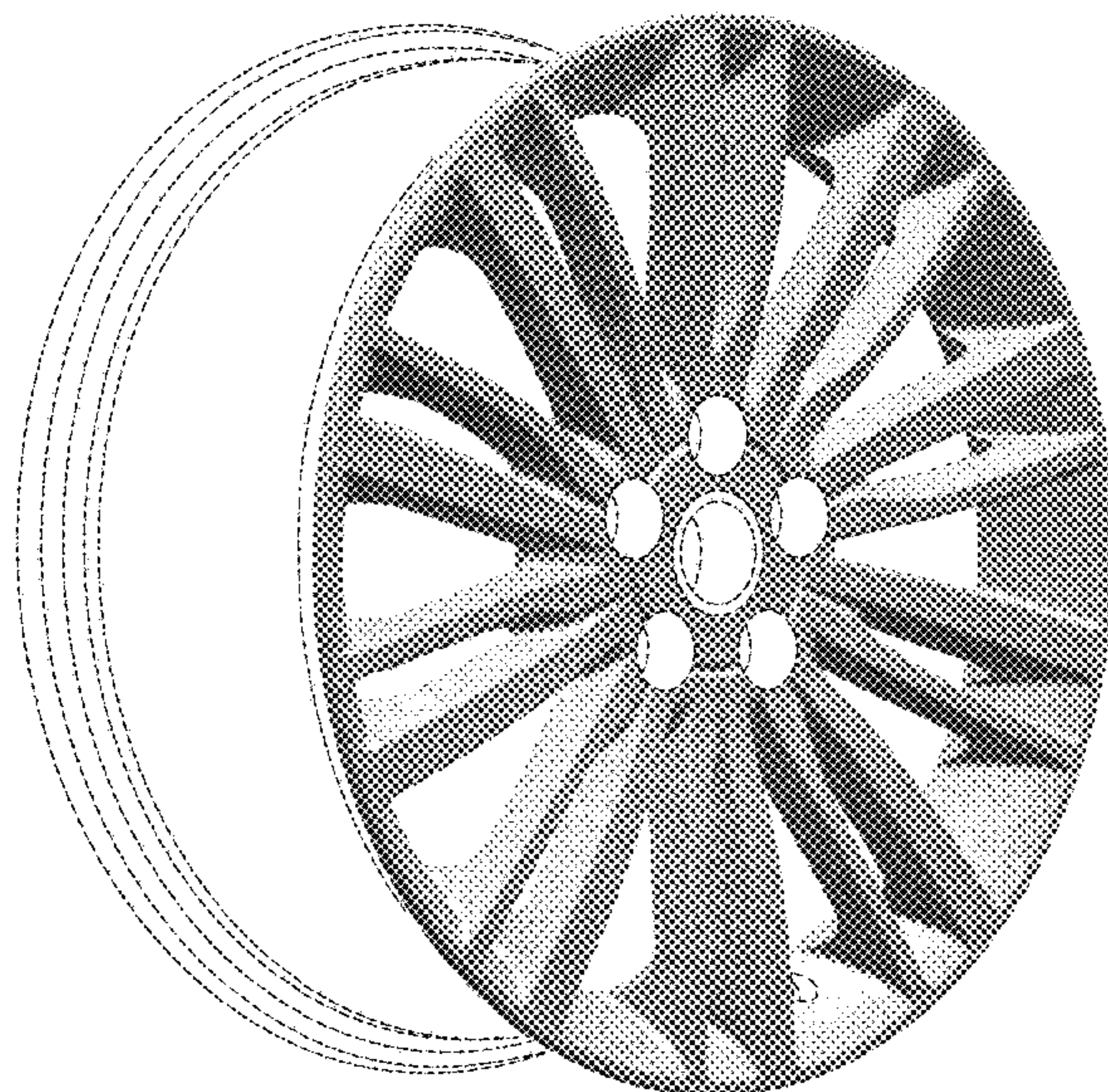
FIG. 1 is a front left perspective view of a wheel, showing
my new design;

FIG. 2 is a front view thereof; and,

FIG. 3 is a left side view thereof; the right side being a mirror
image.

The broken line in the figure drawings represents unclaimed
portion of the design only and forms no part of the claim.

1 Claim, 2 Drawing Sheets



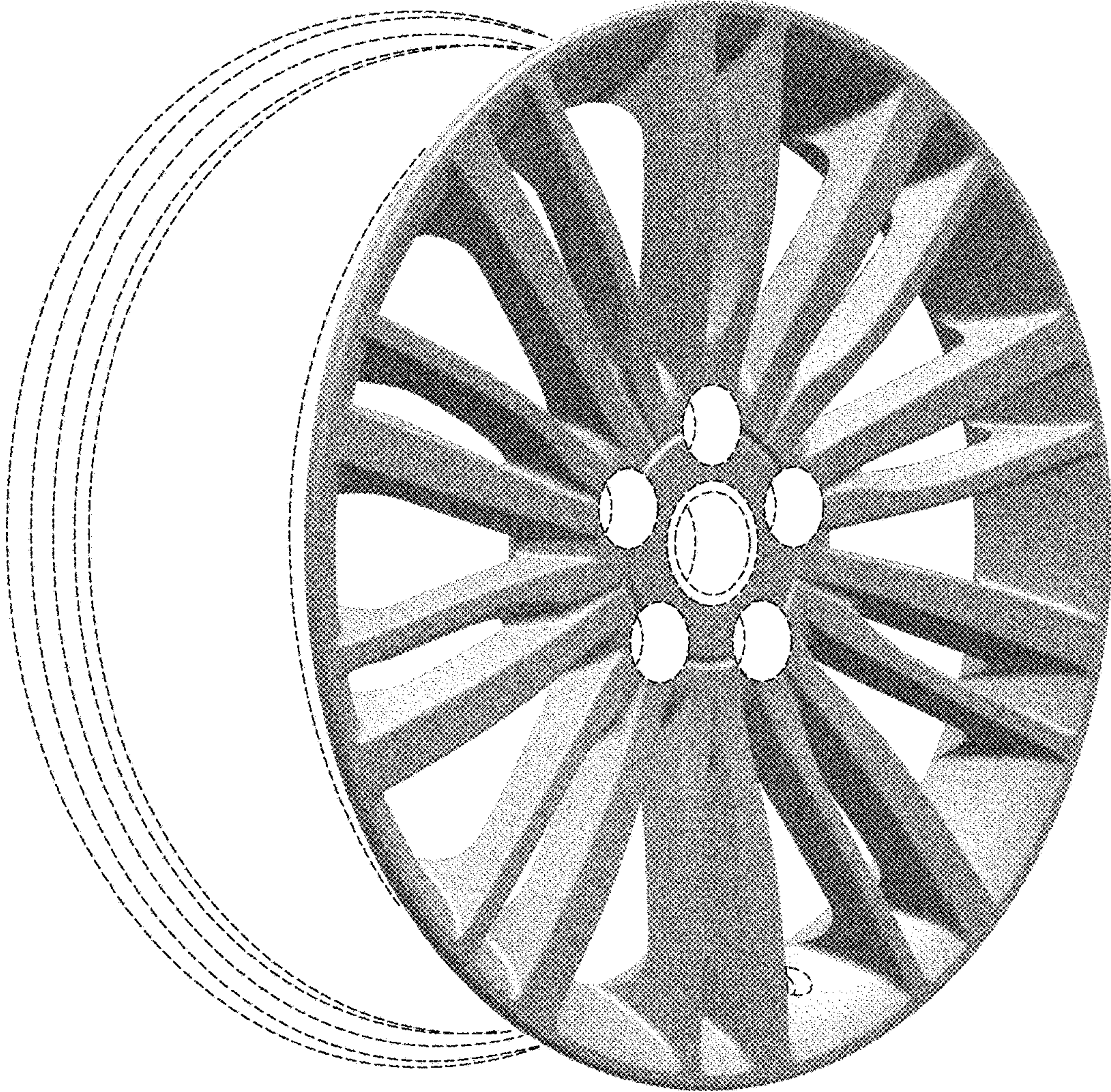


FIG. 1

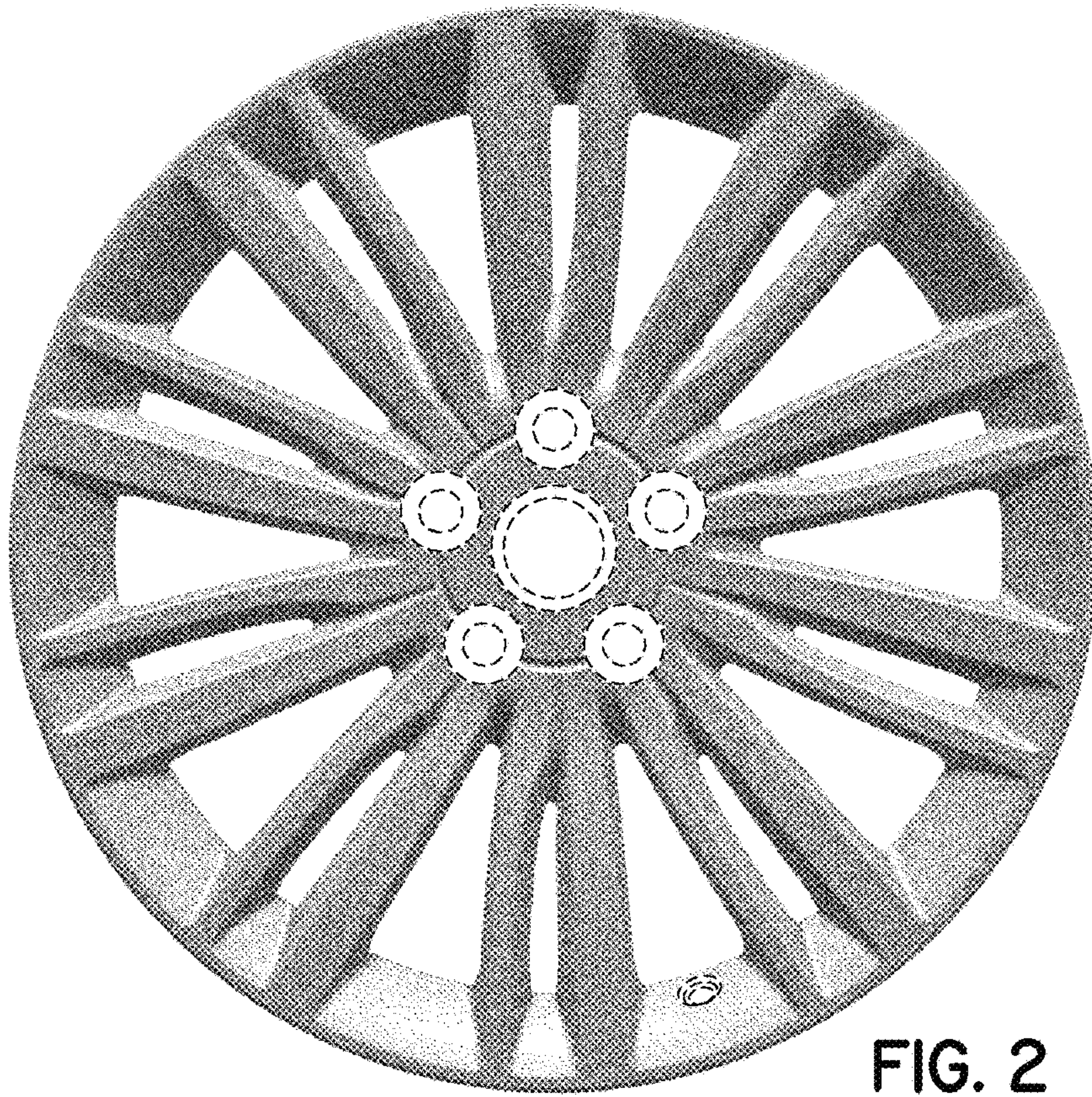


FIG. 2

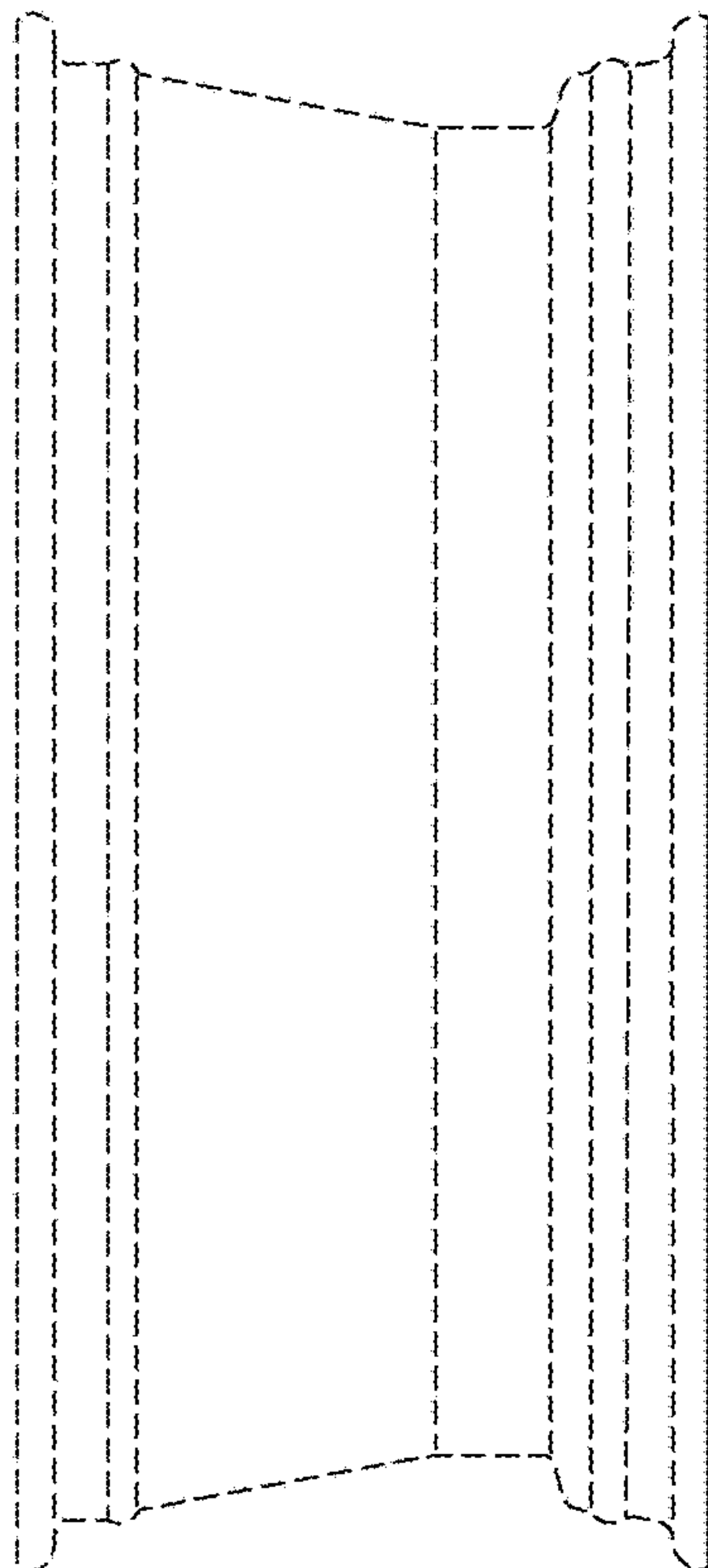


FIG. 3