



US00D824316S

(12) **United States Design Patent**
Tran

(10) **Patent No.:** **US D824,316 S**

(45) **Date of Patent:** **** Jul. 31, 2018**

(54) **WHEEL**

(71) Applicant: **Wheel Pros, LLC**, Greenwood Village, CO (US)

(72) Inventor: **Peter Tran**, Lake Hughes, CA (US)

(**) Term: **15 Years**

(21) Appl. No.: **29/608,287**

(22) Filed: **Jun. 20, 2017**

(51) **LOC (11) Cl.** **12-16**

(52) **U.S. Cl.**
USPC **D12/209**

(58) **Field of Classification Search**
USPC D12/204–213; D21/533, 561, 563
CPC B60B 7/00; B60B 7/02; B60B 7/04; B60B 7/06; B60B 3/02; B60B 3/04; B60B 3/06; B60B 3/10; B60B 1/00; B60B 1/08; B60B 1/10; B60B 1/12

See application file for complete search history.

| | | | |
|--------------|---------|---------------|---------|
| D538,727 S | 3/2007 | Wright | |
| D542,209 S | 5/2007 | Pfeiffer | |
| D552,525 S | 10/2007 | Celik | |
| D553,068 S | 10/2007 | Celik | |
| D577,650 S | 9/2008 | Chung | |
| D579,845 S | 11/2008 | Chung | |
| D582,831 S | 12/2008 | Musser | |
| D583,290 S | 12/2008 | Wang | |
| D585,801 S | 2/2009 | Wang | |
| D599,266 S | 9/2009 | Bierenbreier | |
| D617,723 S | 6/2010 | Zhao | |
| D620,873 S | 8/2010 | Groom | |
| D625,235 S | 10/2010 | Nissl | |
| D627,697 S | 11/2010 | Wang | |
| D651,150 S | 12/2011 | Biewer | |
| D651,151 S | 12/2011 | Biewer | |
| D695,181 S * | 12/2013 | Kong | D12/209 |
| D698,298 S | 1/2014 | Cortes | |
| D704,617 S | 5/2014 | Chung | |
| D706,197 S | 6/2014 | Chung | |
| D711,304 S | 8/2014 | Chung | |
| D715,211 S | 10/2014 | Gotschke | |
| D733,027 S | 6/2015 | Chung | |
| D735,104 S | 7/2015 | Hodges | |
| D738,279 S * | 9/2015 | Dionisopoulos | D12/209 |
| D739,803 S | 9/2015 | Miansian | |

(Continued)

(56) **References Cited**

U.S. PATENT DOCUMENTS

| | | |
|------------|---------|--------------|
| D273,102 S | 3/1984 | Woodward |
| D291,796 S | 9/1987 | Reid |
| D361,975 S | 9/1995 | Weld |
| D408,775 S | 4/1999 | Shikado |
| D455,698 S | 4/2002 | Chung |
| D467,212 S | 12/2002 | Noriega |
| D470,094 S | 2/2003 | Van Hooydonk |
| D478,542 S | 8/2003 | Sulahian |
| D480,036 S | 9/2003 | Laengerer |
| D482,996 S | 12/2003 | Sulahian |
| D492,925 S | 7/2004 | Fitzgerald |
| D496,317 S | 9/2004 | Kataoka |
| D513,486 S | 1/2006 | Rivera |
| D528,495 S | 9/2006 | Truebsbach |
| D538,726 S | 3/2007 | Wright |

Primary Examiner — Sheryl Lane

Assistant Examiner — Calvin E Vansant

(74) *Attorney, Agent, or Firm* — Eric Hanscom

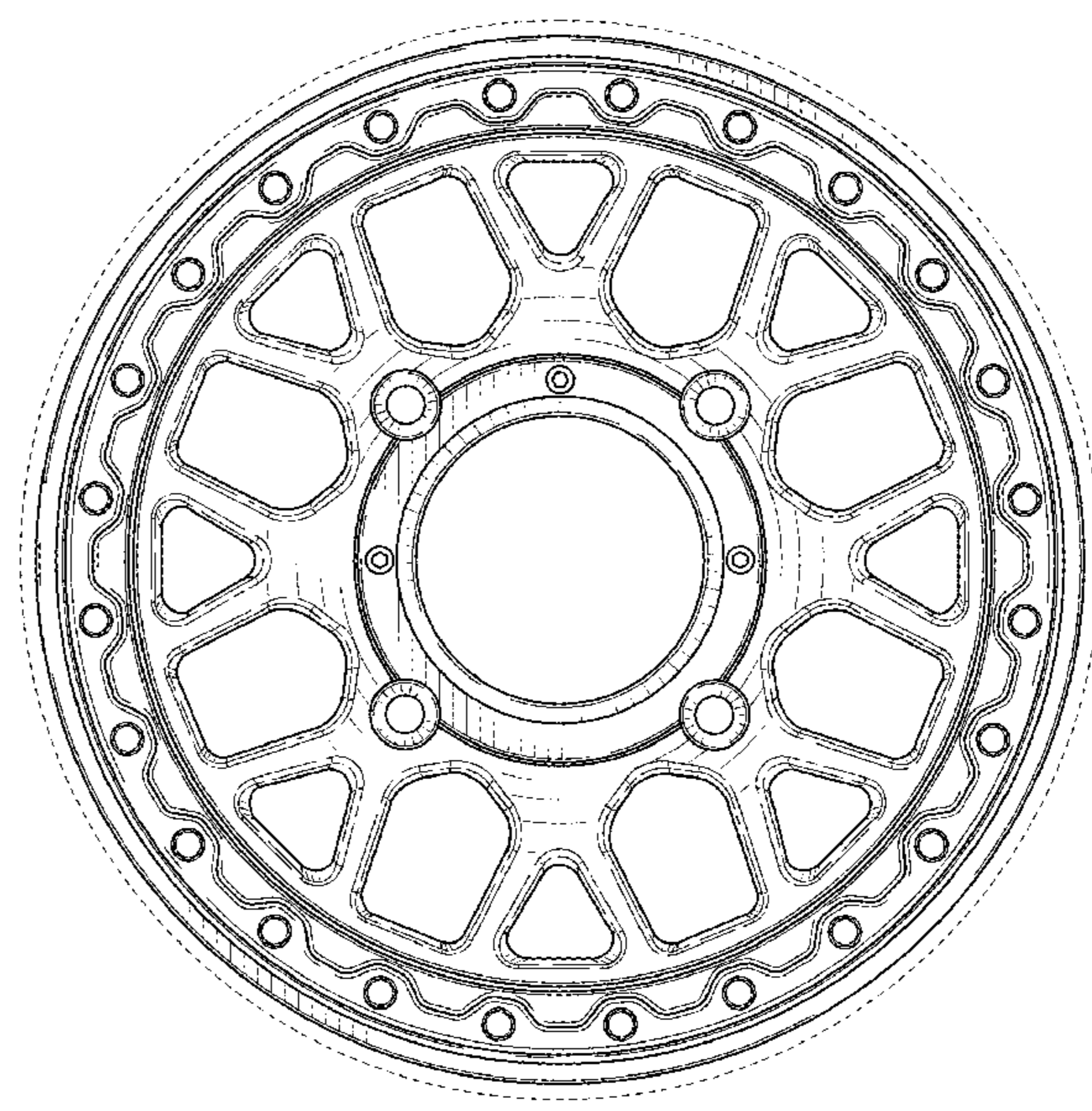
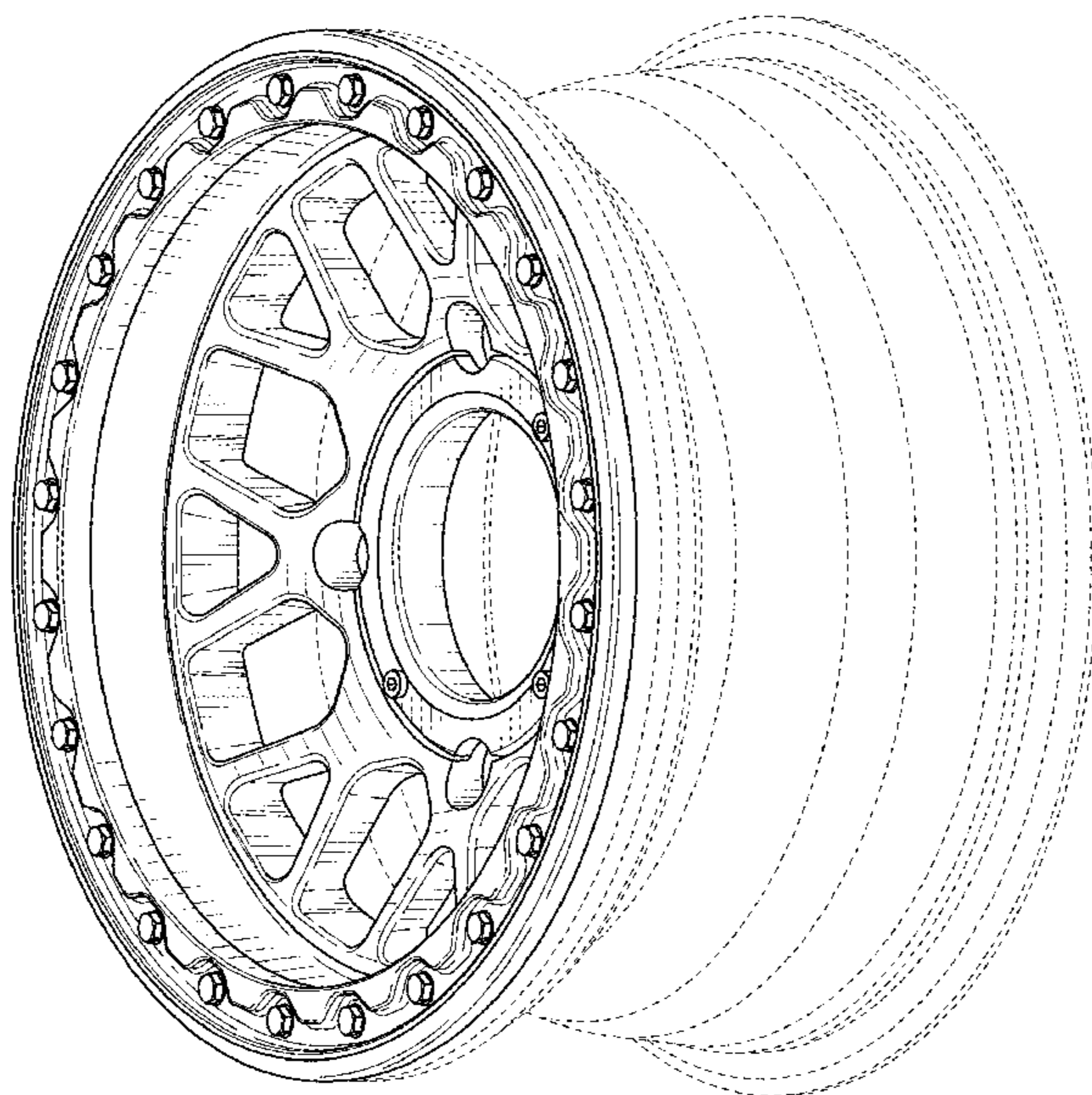
(57) **CLAIM**

The ornamental design for a wheel, as shown and described.

DESCRIPTION

FIG. 1 is a perspective view of a wheel showing my new design; and, FIG. 2 is a front view thereof. The broken lines depict portions of the wheel that form no part of the claim.

1 Claim, 2 Drawing Sheets



(56)

References Cited

U.S. PATENT DOCUMENTS

| | | | | |
|--------------|------|---------|---------------|-------------------------|
| D742,293 | S | 11/2015 | Chung | |
| D750,003 | S | 2/2016 | Ahmad | |
| D753,569 | S * | 4/2016 | Chung | D12/209 |
| D754,045 | S * | 4/2016 | Chung | D12/209 |
| D756,281 | S * | 5/2016 | Chung | D12/209 |
| D756,282 | S * | 5/2016 | Zhao | D12/209 |
| D756,882 | S | 5/2016 | Tirado | |
| D764,373 | S | 8/2016 | Pollex | |
| D766,805 | S | 9/2016 | Chung | |
| D767,465 | S * | 9/2016 | Liffick | D12/209 |
| D769,166 | S | 10/2016 | Juergens | |
| D769,785 | S | 10/2016 | Wells | |
| D770,960 | S | 11/2016 | Svensson | |
| D772,132 | S * | 11/2016 | Kong | D12/211 |
| D780,655 | S | 3/2017 | Trim | |
| D781,199 | S * | 3/2017 | Dionisopoulos | D12/209 |
| D784,895 | S * | 4/2017 | Platto | D12/211 |
| D787,413 | S * | 5/2017 | Alfonso | D12/211 |
| D788,670 | S * | 6/2017 | Chung | D12/209 |
| D791,043 | S * | 7/2017 | Johnson | D12/209 |
| D792,827 | S * | 7/2017 | Chung | D12/209 |
| D798,211 | S * | 9/2017 | Chung | D12/209 |
| D800,630 | S * | 10/2017 | Tran | D12/209 |
| D803,134 | S * | 11/2017 | Bucher | D12/209 |
| D805,991 | S * | 12/2017 | Platto | B60C 23/0494 D12/209 |
| 2014/0116593 | A1 * | 5/2014 | Lucaora | B60C 23/0494 152/427 |

* cited by examiner

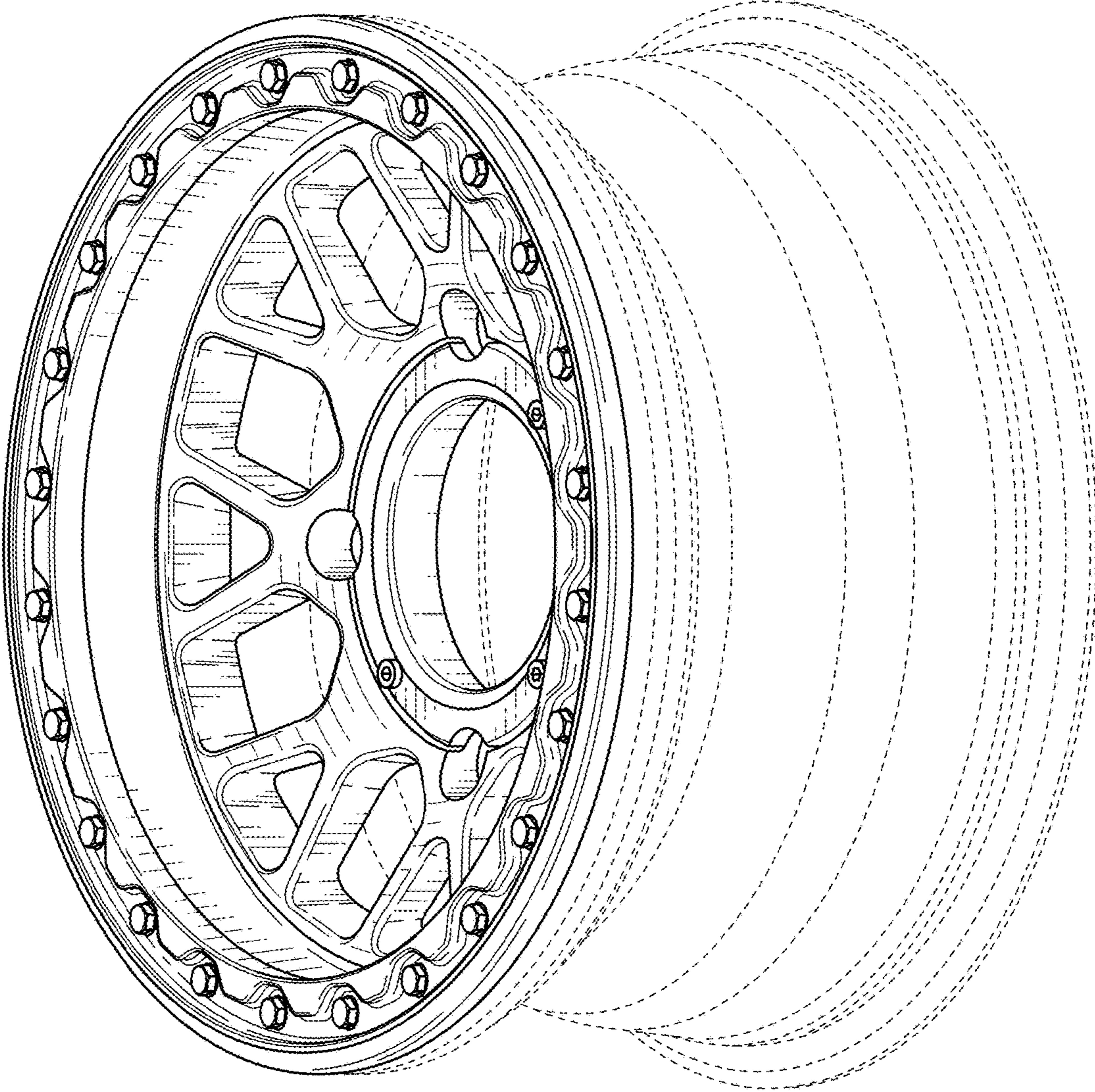


FIG. 1

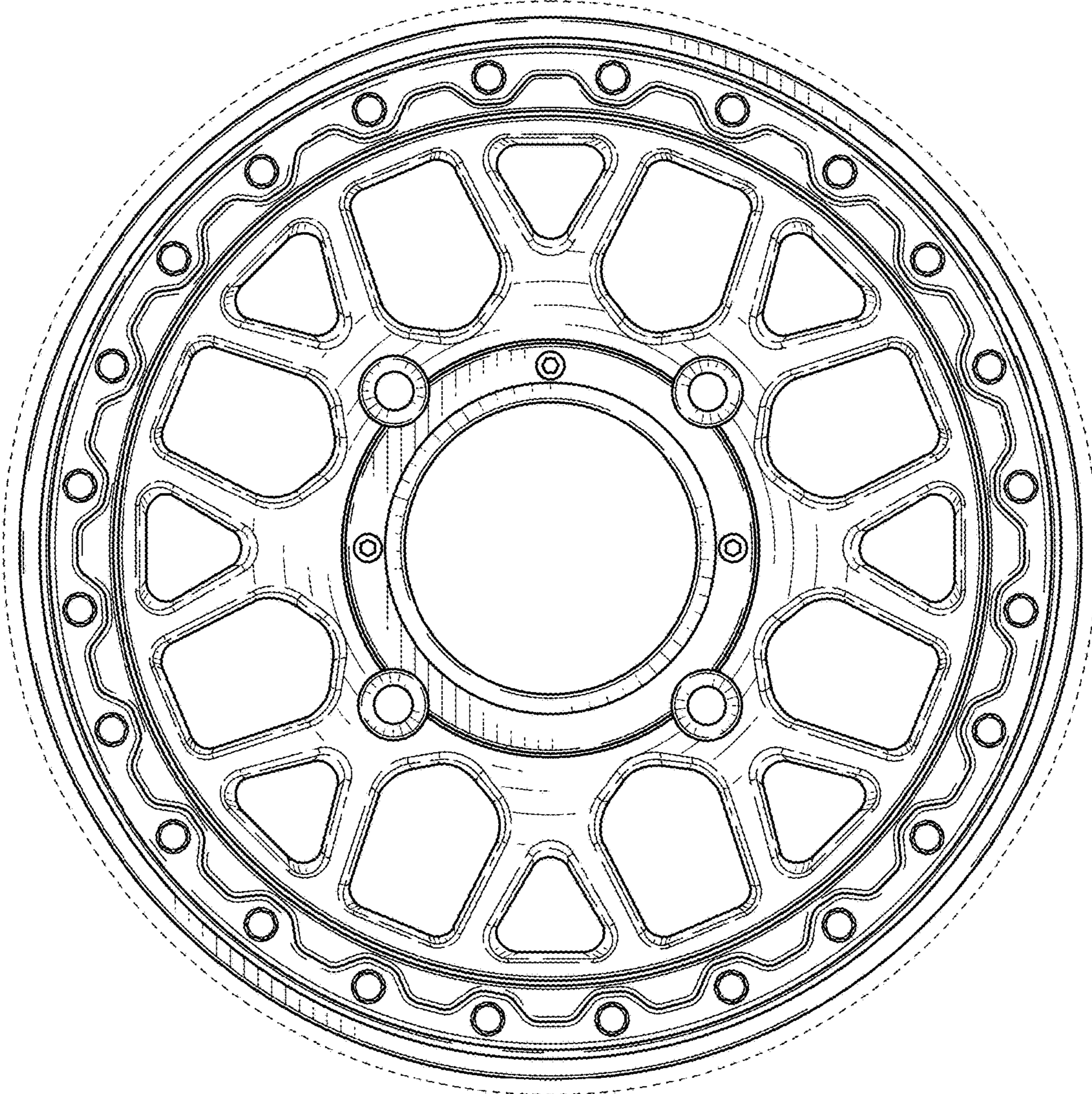


FIG. 2