



US00D824315S

(12) **United States Design Patent**
Tran

(10) **Patent No.:** **US D824,315 S**

(45) **Date of Patent:** **** Jul. 31, 2018**

(54) **WHEEL**

(71) Applicant: **Wheel Pros, LLC**, Greenwood Village, CO (US)

(72) Inventor: **Peter Tran**, Lake Hughes, CA (US)

(**) Term: **15 Years**

(21) Appl. No.: **29/608,285**

(22) Filed: **Jun. 20, 2017**

(51) **LOC (11) Cl.** **12-16**

(52) **U.S. Cl.**
USPC **D12/209**

(58) **Field of Classification Search**
USPC D12/204–213; D21/533, 561, 563
CPC B60B 7/00; B60B 7/02; B60B 7/04; B60B 7/06; B60B 3/02; B60B 3/04; B60B 3/06; B60B 3/10; B60B 1/00; B60B 1/08; B60B 1/10; B60B 1/12

See application file for complete search history.

(56) **References Cited**

U.S. PATENT DOCUMENTS

D273,102 S	3/1984	Woodward
D291,796 S	9/1987	Reid
D361,975 S	9/1995	Weld
5,676,430 A	10/1997	Wright
D408,775 S	4/1999	Shikado
D453,724 S	2/2002	Hodges
D455,698 S	4/2002	Chung
D464,010 S	10/2002	Chung
D467,212 S	12/2002	Noriega
D470,094 S	2/2003	van Hooydonk
D478,542 S	8/2003	Sulahian
D480,036 S	9/2003	Laengerer
D482,996 S	12/2003	Sulahian
D492,925 S	7/2004	Fitzgerald
D496,317 S	9/2004	Kataoka

D499,684 S	12/2004	Cheng
D502,438 S	3/2005	Weld
D504,859 S	5/2005	Sulahian
D513,486 S	1/2006	Rivera
D519,433 S	5/2006	Finn et al.
D524,220 S	7/2006	Scheu
D528,495 S	9/2006	Truebsbach
D535,601 S	1/2007	Beigel
D538,726 S	3/2007	Wright
D538,727 S	3/2007	Wright
D542,209 S	5/2007	Pfeiffer
D550,600 S	9/2007	Celik
D552,525 S	10/2007	Celik
D553,068 S	10/2007	Celik
D569,777 S	5/2008	Chung
D576,093 S	9/2008	Chung
D576,936 S	9/2008	Imai
D577,650 S	9/2008	Chung
D578,457 S	10/2008	Guidry
D579,845 S	11/2008	Chung
D582,827 S	12/2008	Musser
D582,831 S	12/2008	Musser
D583,290 S	12/2008	Wang
D585,801 S	2/2009	Wang

(Continued)

Primary Examiner — Sheryl L Lane

Assistant Examiner — Calvin E Vansant

(74) *Attorney, Agent, or Firm* — Eric Hanscom

(57) **CLAIM**

The ornamental design for a wheel, as shown and described.

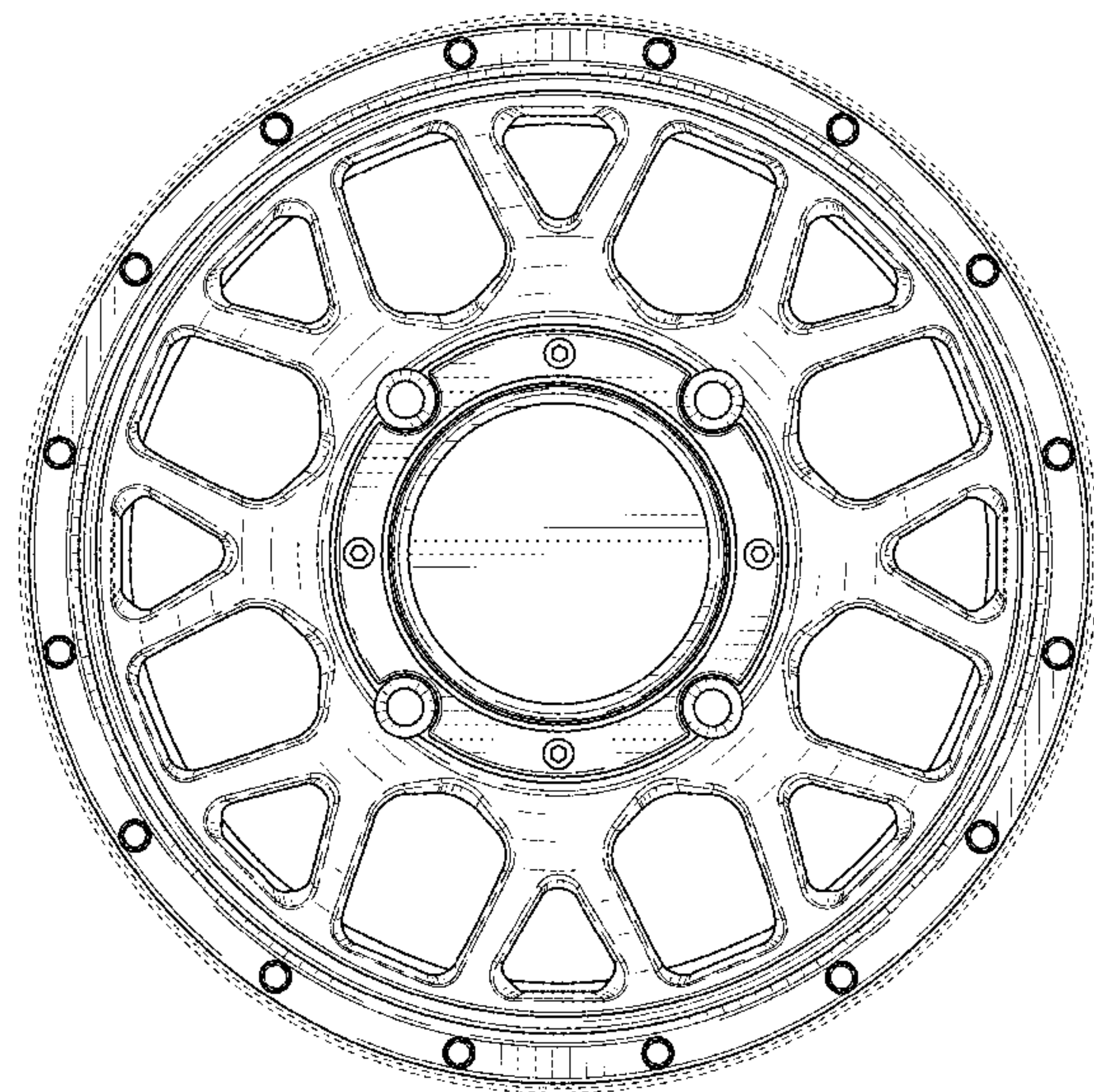
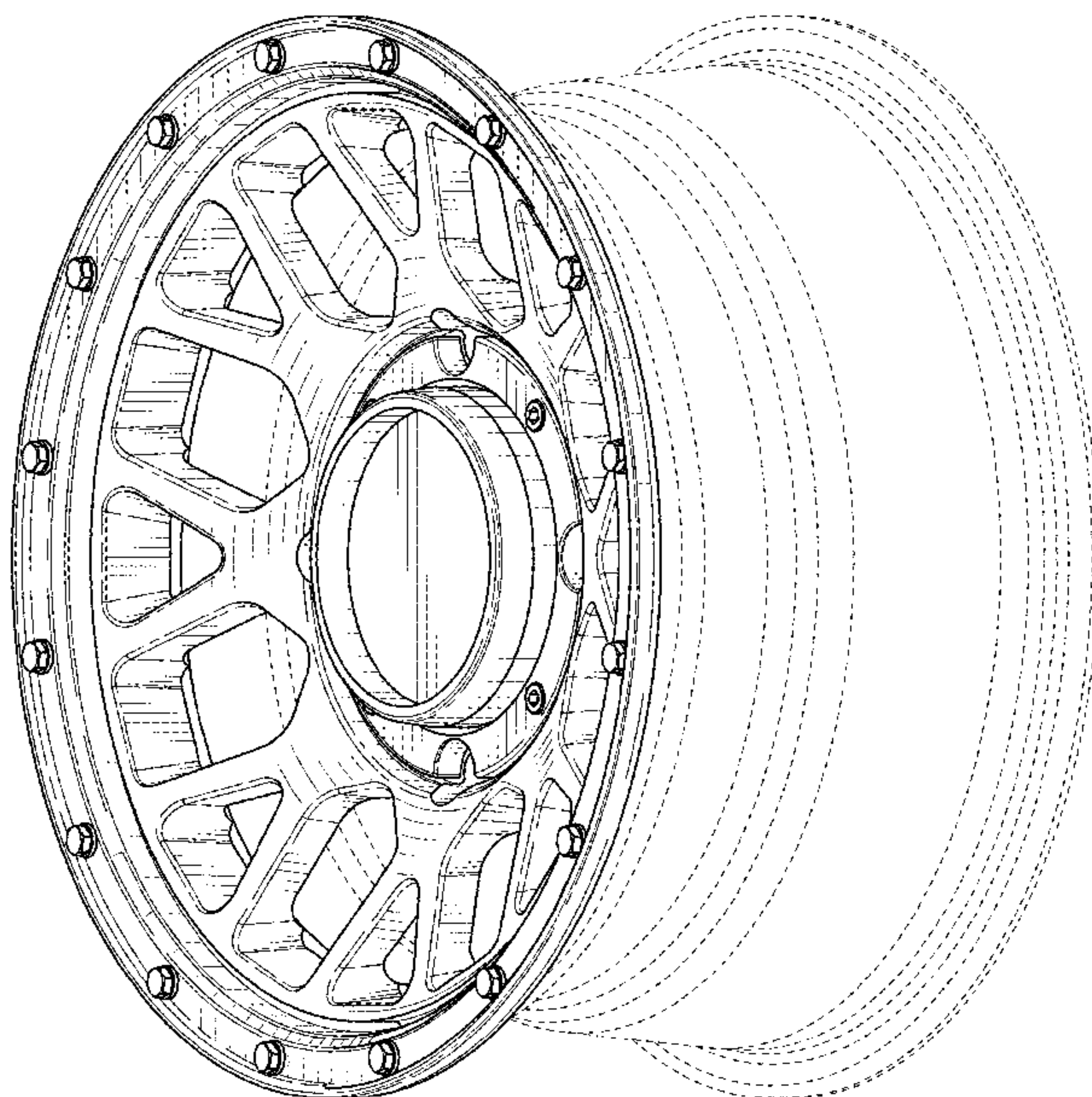
DESCRIPTION

FIG. 1 is a perspective view of a wheel showing my new design; and,

FIG. 2 is a front view thereof.

The broken lines depict portions of the wheel that form no part of the claim. Applicant is claiming the front portion of the wheel only and makes no claim to the ornamental design of the sides or back of the wheel.

1 Claim, 2 Drawing Sheets



(56)

References Cited

U.S. PATENT DOCUMENTS

D596,099 S	7/2009	Chung	D726,630 S	4/2015	Kong	
D598,357 S	8/2009	Chung	D731,946 S	6/2015	Chung	
D599,266 S	9/2009	Bierenbreier	D733,027 S	6/2015	Chung	
D612,316 S	3/2010	Sanschagrín et al.	D735,104 S	7/2015	Hodges	
D613,659 S	4/2010	Cortes	D738,279 S *	9/2015	Dionisopoulos	D12/209
D617,723 S	6/2010	Zhao	D739,803 S	9/2015	Miansian	
D619,073 S	7/2010	Groom	D742,293 S	11/2015	Chung	
D620,864 S	8/2010	Groom	D748,556 S	2/2016	Valencia Pollex	
D620,873 S	8/2010	Groom	D749,030 S	2/2016	Zhao	
D623,109 S	9/2010	Markefka	D750,003 S	2/2016	Ahmad	
D625,235 S	10/2010	Nissl	9,266,386 B2	2/2016	Wang	
D627,697 S	11/2010	Wang	D753,046 S	4/2016	Liffick	
D635,903 S	4/2011	Zhang	D753,569 S *	4/2016	Chung	D12/209
D638,767 S	5/2011	Groom	D754,045 S *	4/2016	Chung	D12/209
D651,150 S	12/2011	Blewer	D755,694 S	5/2016	Valencia Pollex	
D651,151 S	12/2011	Blewer	D756,281 S *	5/2016	Chung	D12/209
D654,007 S	2/2012	Nissl	D756,282 S *	5/2016	Zhao	D12/209
D654,420 S	2/2012	Guay et al.	D756,287 S	5/2016	Koglin	
D660,771 S	5/2012	Mueller-Stolz	D756,882 S	5/2016	Tirado	
D666,960 S	9/2012	Chung	D764,373 S	8/2016	Valencia Pollex	
D669,009 S	10/2012	Chung	D766,805 S	9/2016	Chung	
D680,938 S	4/2013	Hale, Jr.	D767,465 S *	9/2016	Liffick	D12/209
D684,516 S	6/2013	Bennion	D769,166 S	10/2016	Juergens	
D695,181 S *	12/2013	Kong	D769,785 S	10/2016	Wells	
D695,193 S	12/2013	Kong	D770,960 S	11/2016	Svensson	
D698,298 S	1/2014	Cortes	D772,132 S *	11/2016	Kong	D12/211
D698,300 S	1/2014	Chung	D775,578 S	1/2017	Johnson	
D702,172 S	4/2014	Chung	D780,655 S	3/2017	Trim	
D704,617 S	5/2014	Chung	D781,199 S *	3/2017	Dionisopoulos	D12/209
D706,197 S	6/2014	Chung	D784,895 S *	4/2017	Platto	D12/211
D707,167 S	6/2014	Chung	D787,413 S *	5/2017	Alfonso	D12/211
D709,020 S	7/2014	Chung	D788,670 S *	6/2017	Chung	D12/209
D711,304 S	8/2014	Chung	D791,043 S *	7/2017	Johnson	D12/209
D713,316 S	9/2014	Song et al.	D792,827 S *	7/2017	Chung	D12/209
D714,207 S	9/2014	Kim	D798,211 S *	9/2017	Chung	D12/209
D714,705 S	10/2014	Kong	D800,630 S *	10/2017	Tran	D12/209
D714,706 S	10/2014	Chung	D803,134 S *	11/2017	Bucher	D12/209
D715,211 S	10/2014	Gotschke	D805,991 S *	12/2017	Platto	B60C 23/0494 D12/209
D717,709 S	11/2014	Valencia Pollex				
D726,628 S	4/2015	Kong	2014/0116593 A1 *	5/2014	Lucaora	B60C 23/0494 152/427

* cited by examiner

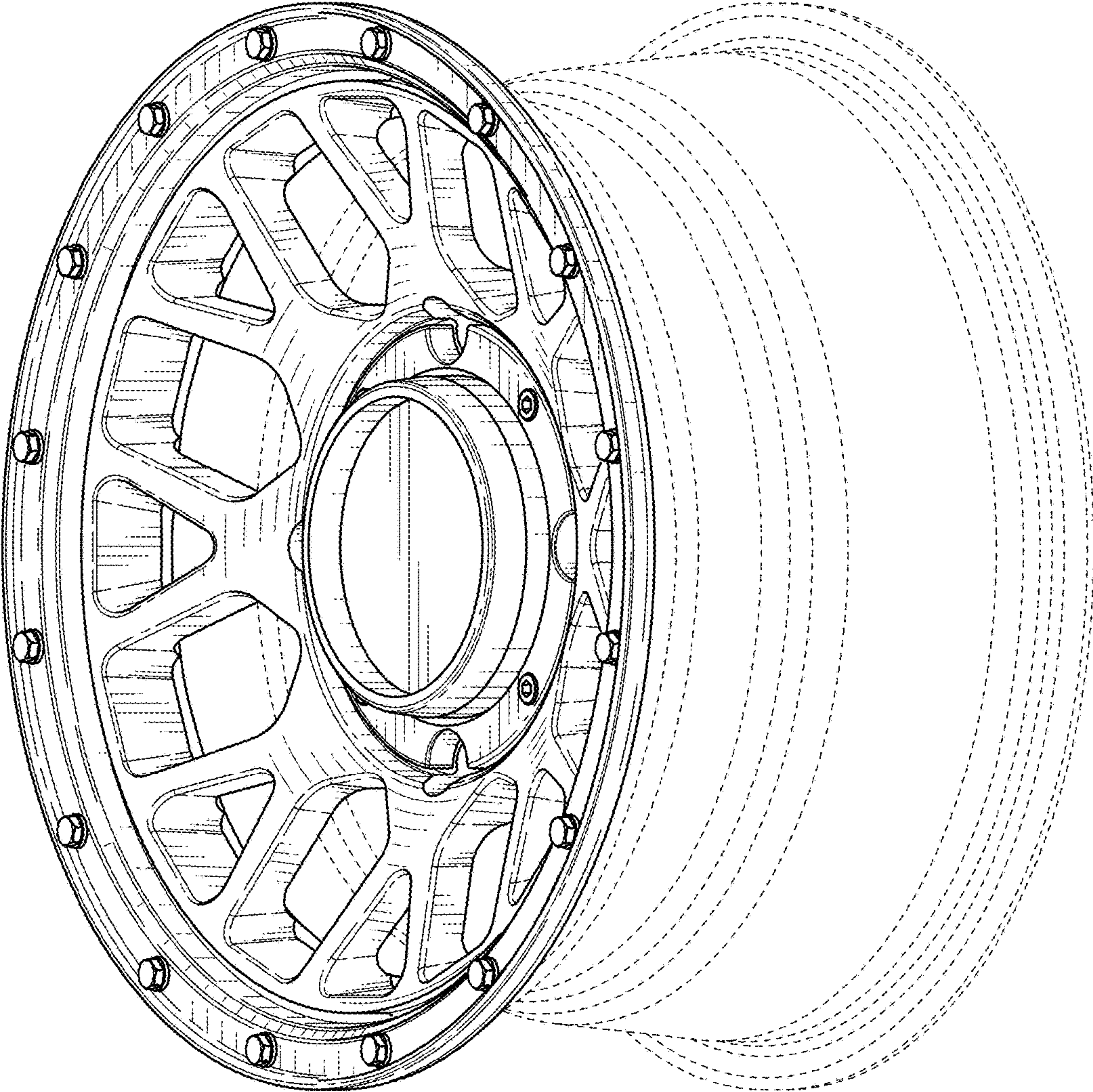


FIG. 1

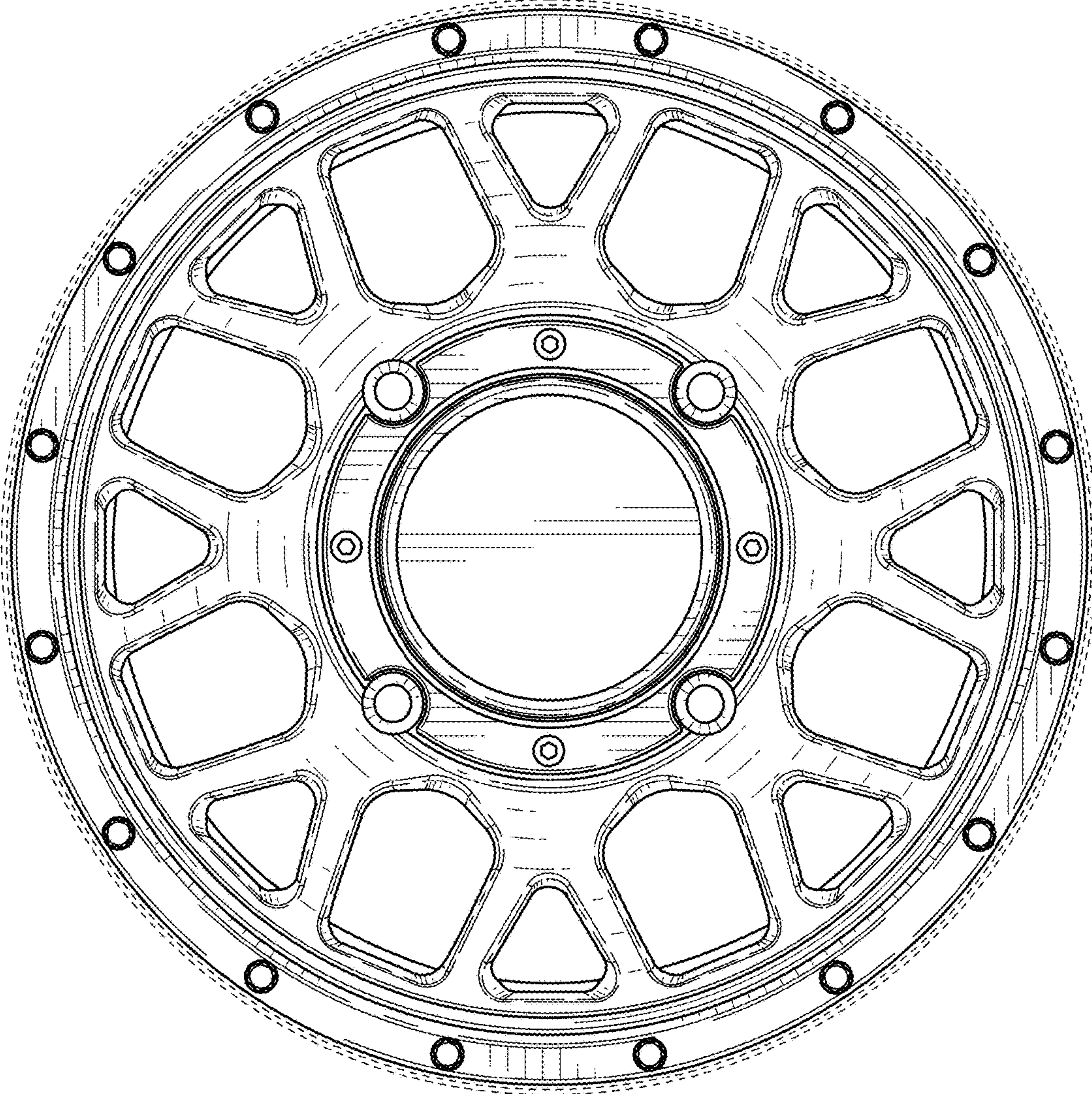


FIG. 2