



US00D824313S

(12) **United States Design Patent**
Badstuebner et al.

(10) **Patent No.:** **US D824,313 S**
(45) **Date of Patent:** **** Jul. 31, 2018**

- (54) **WHEEL OR WHEEL COVER**
- (71) Applicant: **Daimler AG**, Stuttgart (DE)
- (72) Inventors: **Achim-Dietrich Badstuebner**, Munich (DE); **Robert Lesnik**, Leonberg (DE); **Peter Riedel**, Holzgerlingen (DE); **Simon Vonbruell**, Pforzheim (DE)
- (73) Assignee: **Daimler AG**, Stuttgart (DE)
- (**) Term: **15 Years**
- (21) Appl. No.: **29/605,669**
- (22) Filed: **May 30, 2017**
- (51) **LOC (11) Cl.** **12-16**
- (52) **U.S. Cl.**
USPC **D12/209**
- (58) **Field of Classification Search**
USPC D12/204–213; D21/533, 561, 563
CPC B60B 7/00; B60B 7/02; B60B 7/04; B60B 7/06; B60B 3/02; B60B 3/04; B60B 3/06; B60B 3/10; B60B 1/00; B60B 1/08; B60B 1/10; B60B 1/12
See application file for complete search history.

(56) **References Cited**

U.S. PATENT DOCUMENTS

- D542,207 S * 5/2007 Gauffres D12/211
- D542,208 S * 5/2007 Gallert D12/211

- D620,424 S * 7/2010 Gallert D12/211
- D649,923 S * 12/2011 Hans D12/211
- D673,099 S * 12/2012 Ender D12/211
- D753,572 S * 4/2016 Juergens D12/211
- D758,273 S * 6/2016 Baum D12/209
- D759,559 S * 6/2016 Mielke D12/209
- D772,134 S * 11/2016 Vidojkovic D12/211
- D780,664 S * 3/2017 Gallert D12/211
- D789,865 S * 6/2017 Giolito D12/211
- D792,316 S * 7/2017 Groth D12/211
- D803,755 S * 11/2017 Widua D12/211
- D808,326 S * 1/2018 Chung D12/211

* cited by examiner

Primary Examiner — Sheryl Lane

Assistant Examiner — Clavin E Vasant

(74) *Attorney, Agent, or Firm* — Crowell & Moring LLP

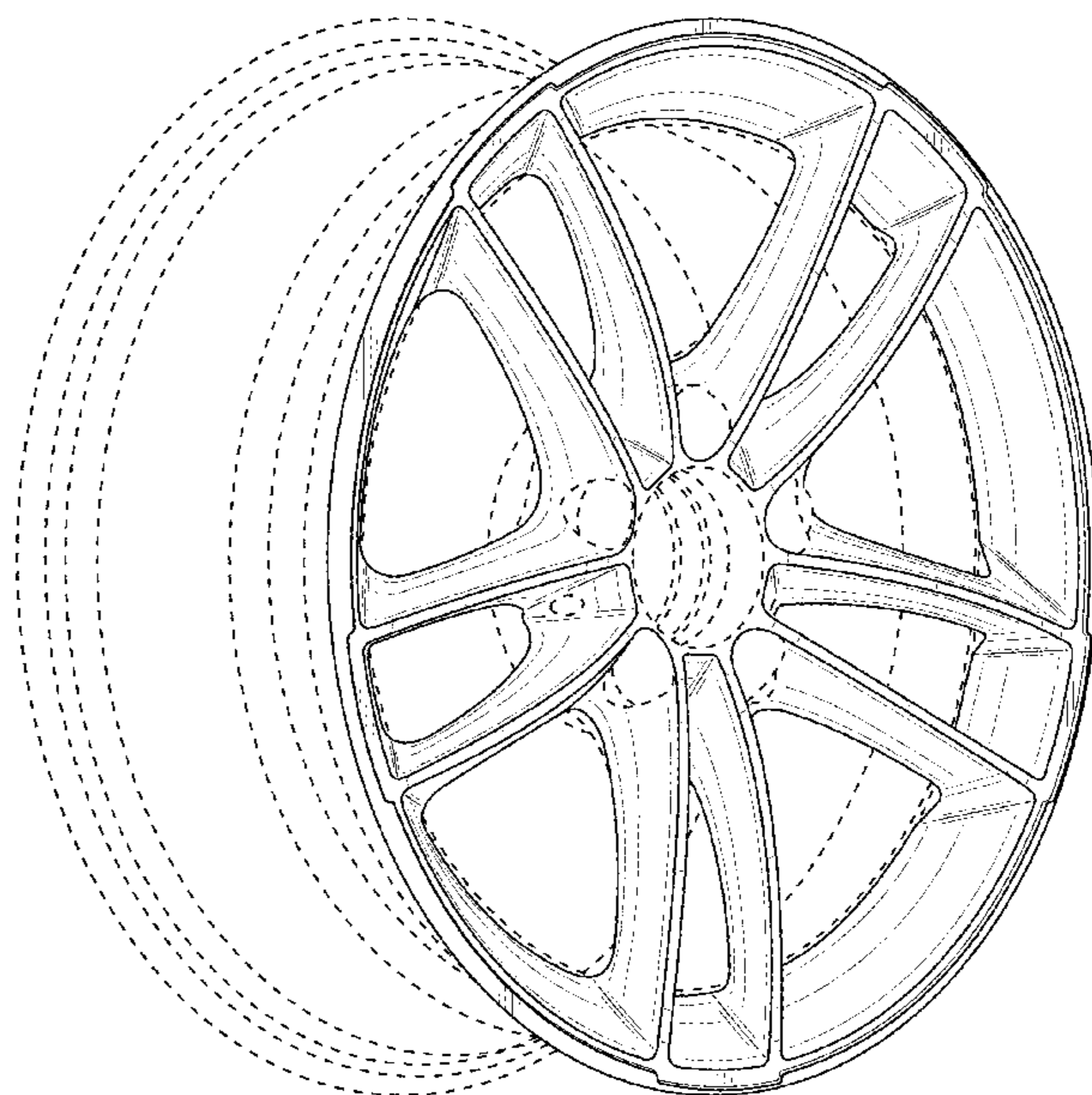
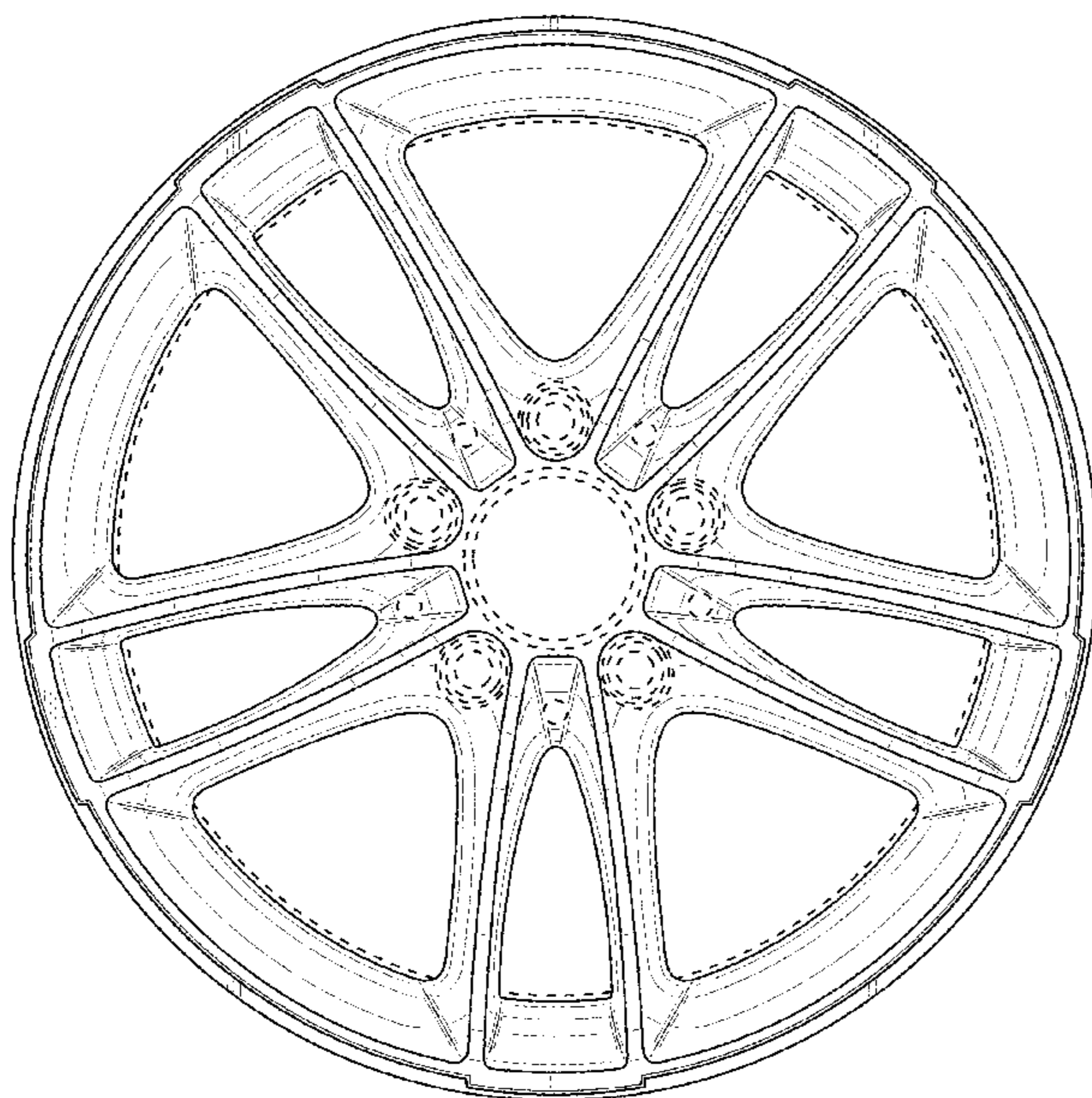
(57) **CLAIM**

The ornamental design for a wheel or wheel cover, as shown and described.

DESCRIPTION

FIG. 1 is a front view of a wheel or wheel cover according to the design; and,
 FIG. 2 is a perspective view thereof.
 The broken lines in the drawings illustrate environmental subject matter only and form no part of the claimed design.
 Also enclosed is a set of photographs of an embodiment of the design.

1 Claim, 2 Drawing Sheets



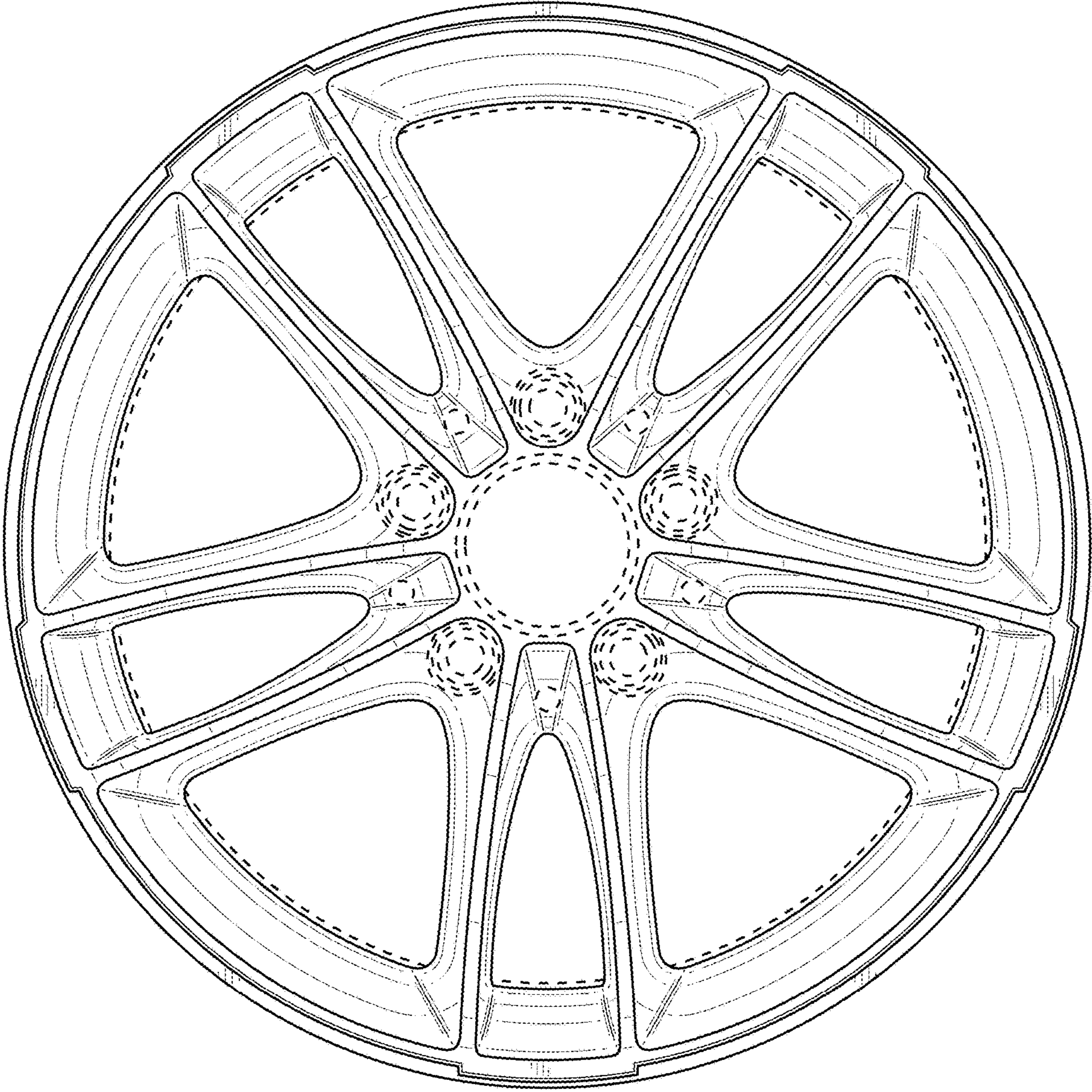


FIG. 1

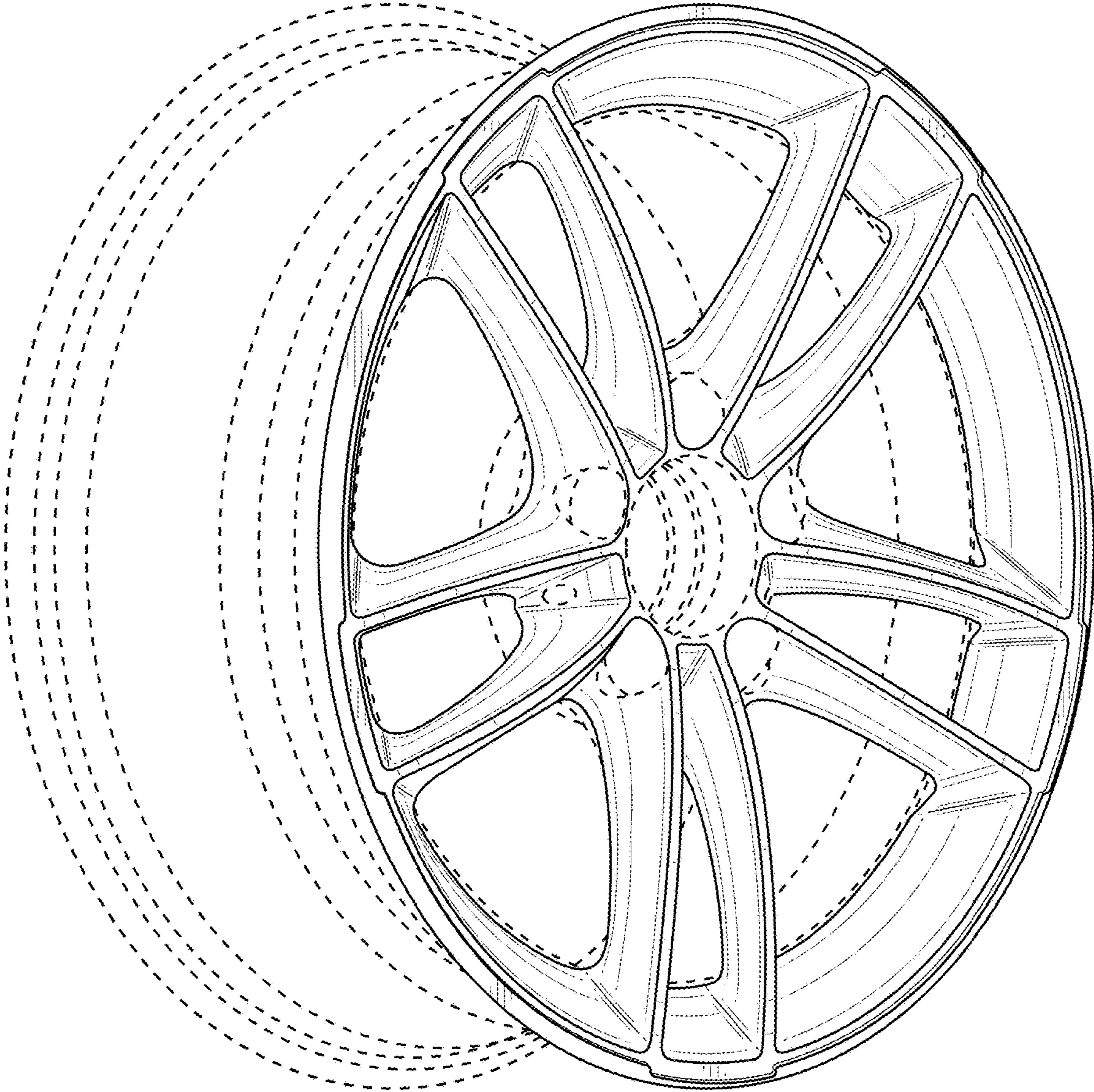


FIG. 2