



US00D824309S

(12) **United States Design Patent**
Oh

(10) **Patent No.:** **US D824,309 S**
(45) **Date of Patent:** **** Jul. 31, 2018**

- (54) **WHEEL**
- (71) Applicant: **Faraday & Future Inc.**, Gardena, CA (US)
- (72) Inventor: **Brian Sung Oh**, Granada Hills, CA (US)
- (73) Assignee: **FARADAY & FUTURE INC.**, Gardena, CA (US)
- (**) Term: **15 Years**
- (21) Appl. No.: **29/572,042**
- (22) Filed: **Jul. 25, 2016**
- (51) **LOC (11) Cl.** **12-16**
- (52) **U.S. Cl.**
USPC **D12/209**
- (58) **Field of Classification Search**
USPC D12/204–213
CPC B60B 7/00; B60B 7/02; B60B 7/04; B60B 7/01; B60B 7/06; B60B 3/02; B60B 3/04; B60B 3/06; B60B 3/10; B60B 1/00; B60B 1/08; B60B 1/10; B60B 1/12
See application file for complete search history.

D684,913 S *	6/2013	Chen	D12/209
D686,133 S *	7/2013	Juergens	D12/209
D686,965 S *	7/2013	Pollmann	D12/211
D697,858 S *	1/2014	Kito	D12/209
D714,204 S *	9/2014	Garbas	D12/204
D744,401 S *	12/2015	Back	D12/209
D782,384 S *	3/2017	Oh	D12/209
D796,406 S *	9/2017	Dadoosh	D12/204

* cited by examiner

Primary Examiner — Sheryl Lane
Assistant Examiner — Calvin E Vansant
(74) *Attorney, Agent, or Firm* — Finnegan, Henderson, Farabow, Garrett & Dunner, LLP

(57) **CLAIM**

The ornamental design for a wheel, as shown and described.

DESCRIPTION

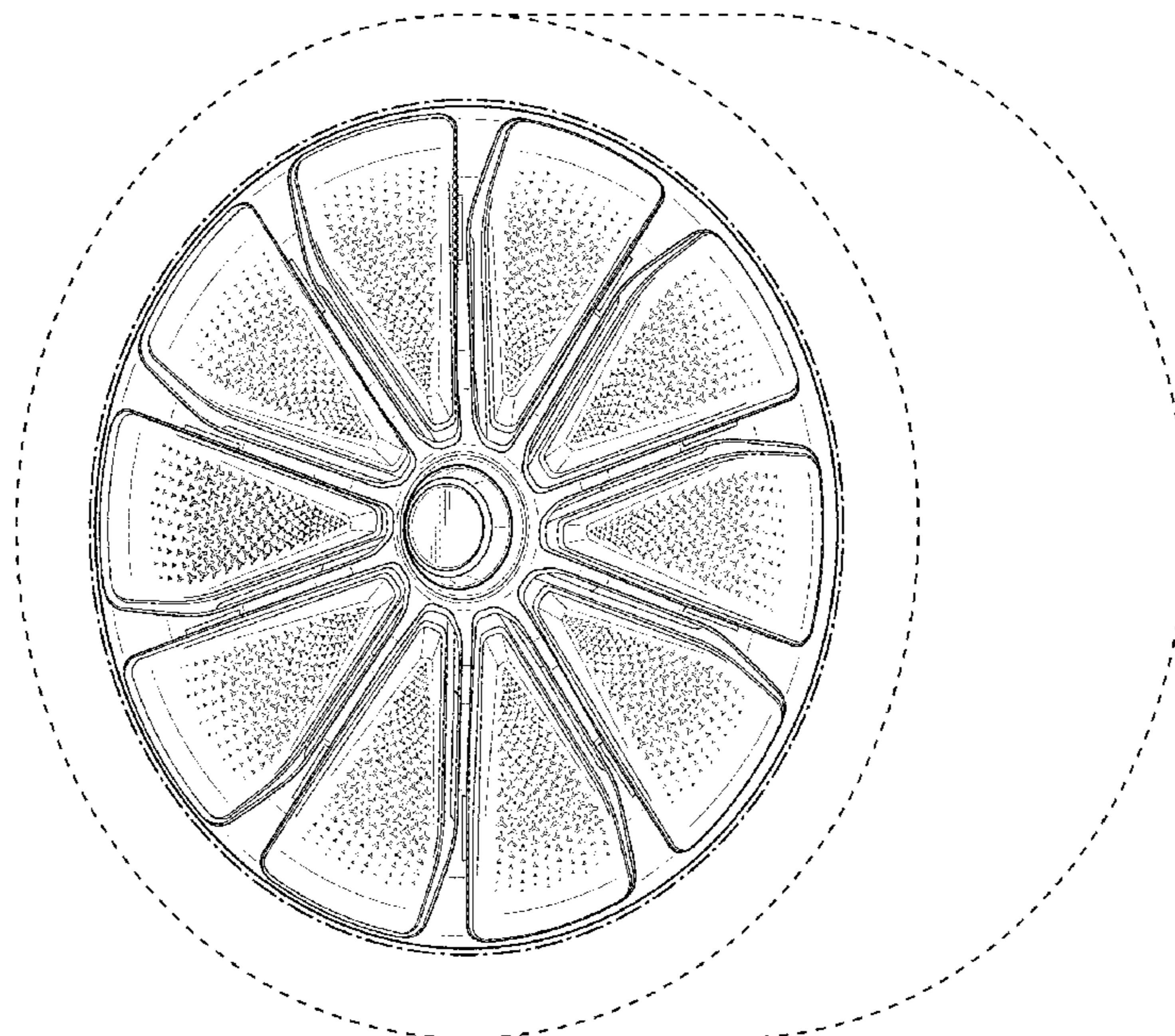
FIG. 1 is a front perspective view of a wheel, showing my new design;
FIG. 2 is a front view thereof;
FIG. 3 is a right side view thereof, it being understood that the left side view, top view and bottom view are identical; and,
FIG. 4 is an enlarged partial view of a portion of the wheel defined by lines 4-4 in FIG. 2.
In the drawings, the broken lines depict environmental subject matter only and form no part of the claimed design. The dash-dot-dash broken lines define the bounds of the claimed design and form no part thereof.

1 Claim, 4 Drawing Sheets

(56) **References Cited**

U.S. PATENT DOCUMENTS

D664,908 S *	8/2012	Kim	D12/209
D669,834 S *	10/2012	Juergens	D12/211
D671,479 S *	11/2012	Gonser	D12/209
D681,530 S *	5/2013	Zhang	D12/209
D681,531 S *	5/2013	Fetherston	D12/209



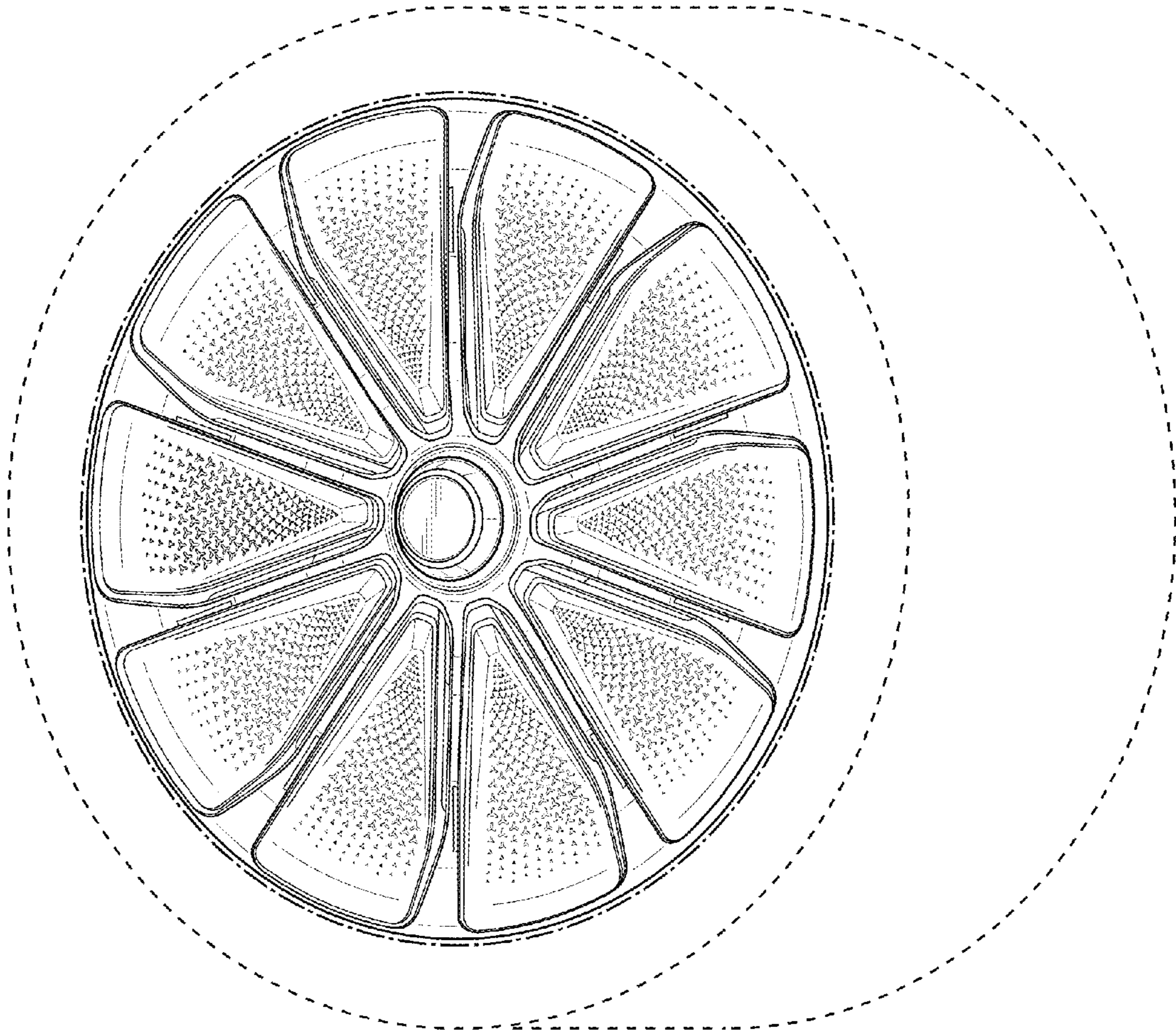


FIG. 1

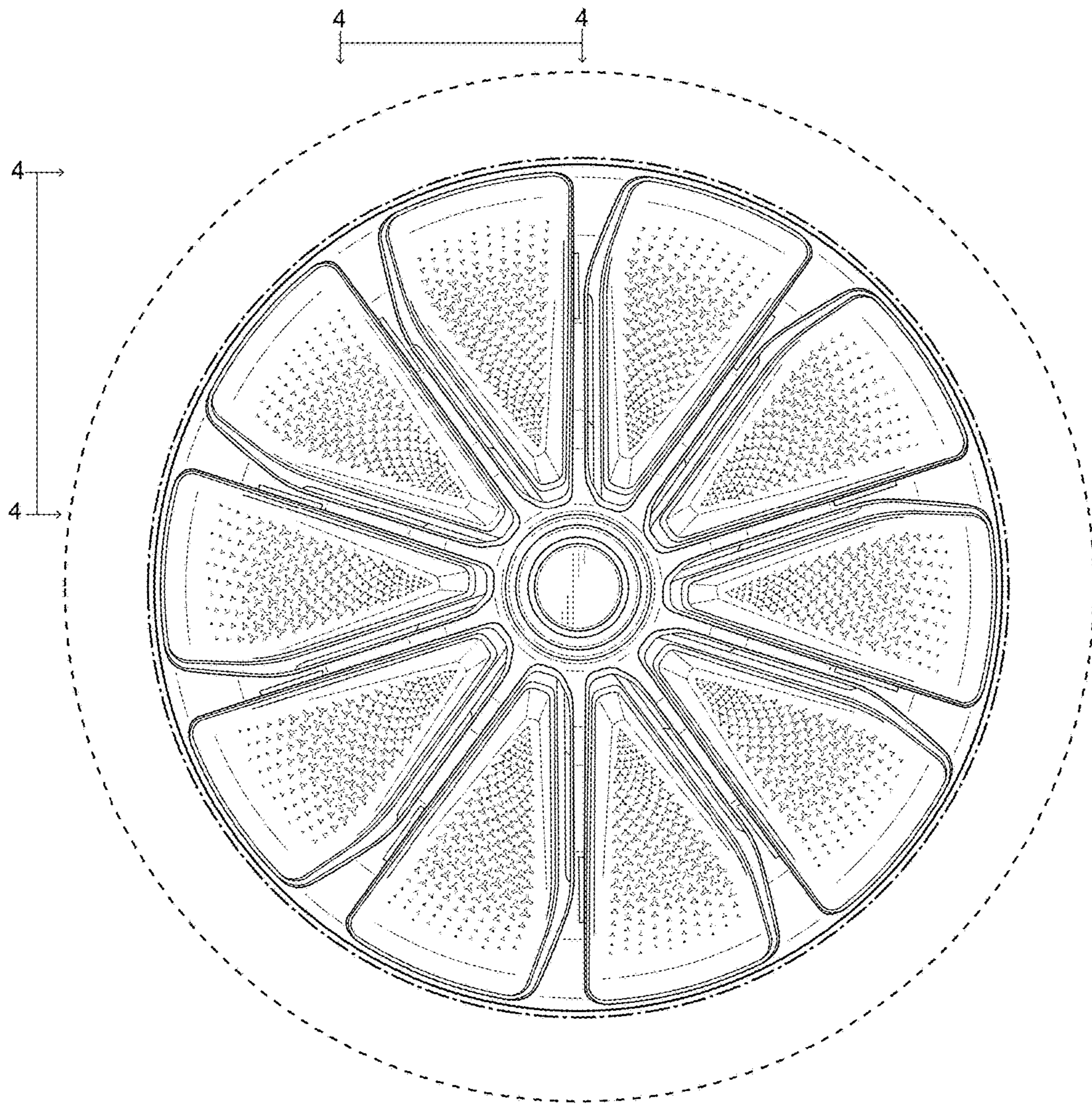


FIG. 2

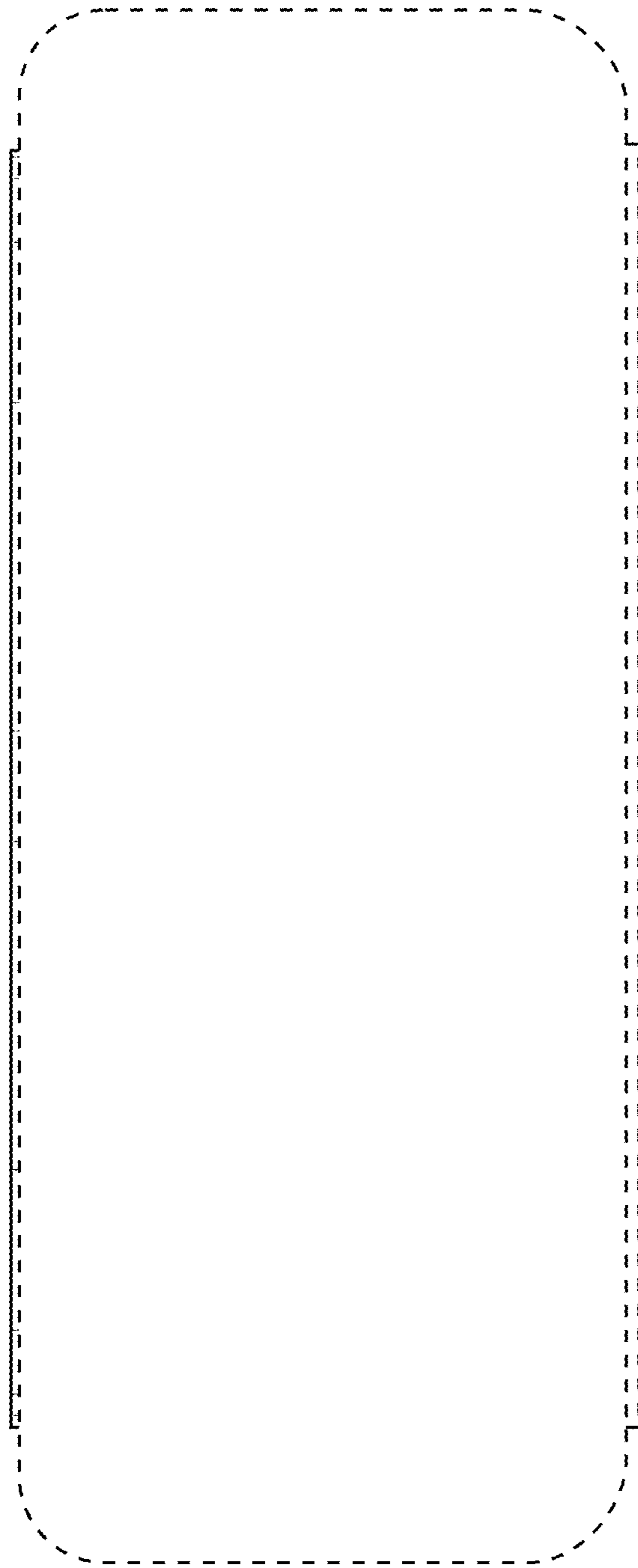


FIG. 3

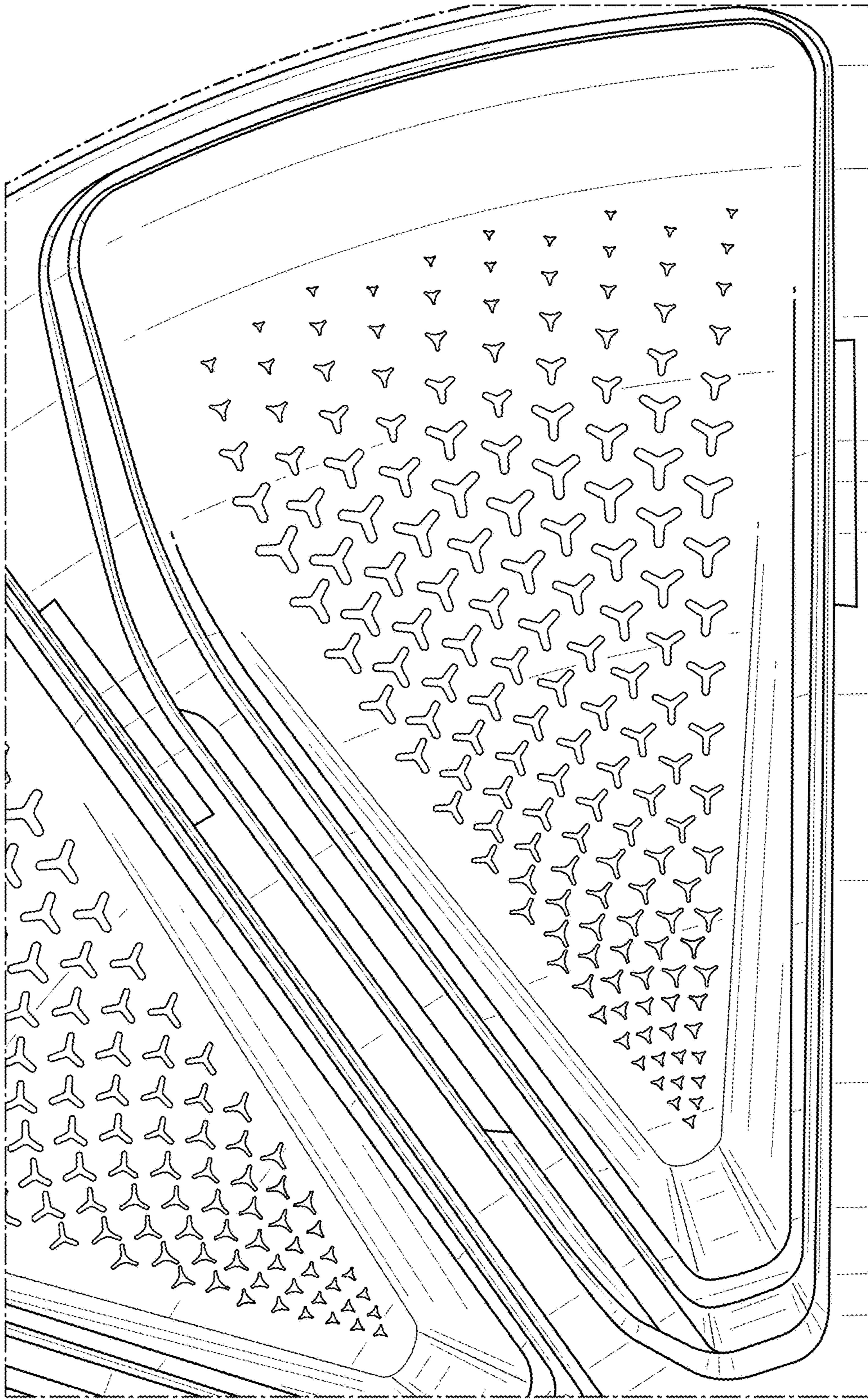


FIG. 4