



US00D824308S

(12) **United States Design Patent**  
**Parnell**

(10) **Patent No.:** **US D824,308 S**  
(45) **Date of Patent:** **\*\* Jul. 31, 2018**

(54) **ATTACHABLE EXTERNAL VEHICLE SIGN**

9,916,779 B1 \* 3/2018 Parnell ..... G09F 13/0413  
2007/0258262 A1 11/2007 Hanyon  
2016/0207478 A1 7/2016 Georgiadis

(71) Applicant: **Sherry Parnell**, Brandywine, MD (US)

(72) Inventor: **Sherry Parnell**, Brandywine, MD (US)

(\*\*) Term: **15 Years**

(21) Appl. No.: **29/616,635**

(22) Filed: **Sep. 7, 2017**

(51) **LOC (11) Cl.** ..... **12-16**

(52) **U.S. Cl.**  
USPC ..... **D12/193**

(58) **Field of Classification Search**  
USPC ..... D12/193; D6/300, 301, 302, 310, 311,  
D6/312, 313, 314; D20/13  
CPC ..... B60R 13/10; B60R 13/105; B60R 19/24;  
B60R 19/52

See application file for complete search history.

(56) **References Cited**

**U.S. PATENT DOCUMENTS**

D245,497 S *	8/1977	Ritch	.....	D12/193
5,027,537 A	7/1991	Freeman		
D370,450 S *	6/1996	Doan	.....	D12/193
D412,876 S *	8/1999	Crecelius	.....	D12/193
6,324,778 B1 *	12/2001	Gall	.....	B60R 13/10 40/200
6,796,060 B1	9/2004	Meester		
D566,024 S *	4/2008	Pacleb	.....	D12/193
D599,726 S *	9/2009	Pacleb	.....	D12/193
8,544,198 B2	10/2013	Iverson		
9,015,972 B1	4/2015	Morgan		
9,141,973 B2	9/2015	Mendoza		
9,483,777 B2	11/2016	Sarangi		
D773,365 S *	12/2016	Starke	.....	D12/193
9,586,538 B2 *	3/2017	Fontayne	.....	B60R 13/105
D802,506 S *	11/2017	Bargen	.....	D12/193
D813,129 S *	3/2018	Hoffheinz	.....	D12/193

**FOREIGN PATENT DOCUMENTS**

WO WO2011013113 2/2011

\* cited by examiner

*Primary Examiner* — George D. Kirschbaum

*Assistant Examiner* — Natasha Vujcic

(74) *Attorney, Agent, or Firm* — Goldstein Law Offices, P.C.

(57) **CLAIM**

The ornamental design for an attachable external vehicle sign, as shown and described.

**DESCRIPTION**

FIG. 1 is a perspective view of the attachable external vehicle sign, shown with environment.

FIG. 2 is a front elevational view of the attachable external vehicle sign, shown with environment.

FIG. 3 is a rear elevational view of the attachable external vehicle sign.

FIG. 4 is a right side elevational view thereof.

FIG. 5 is a left side elevational view thereof.

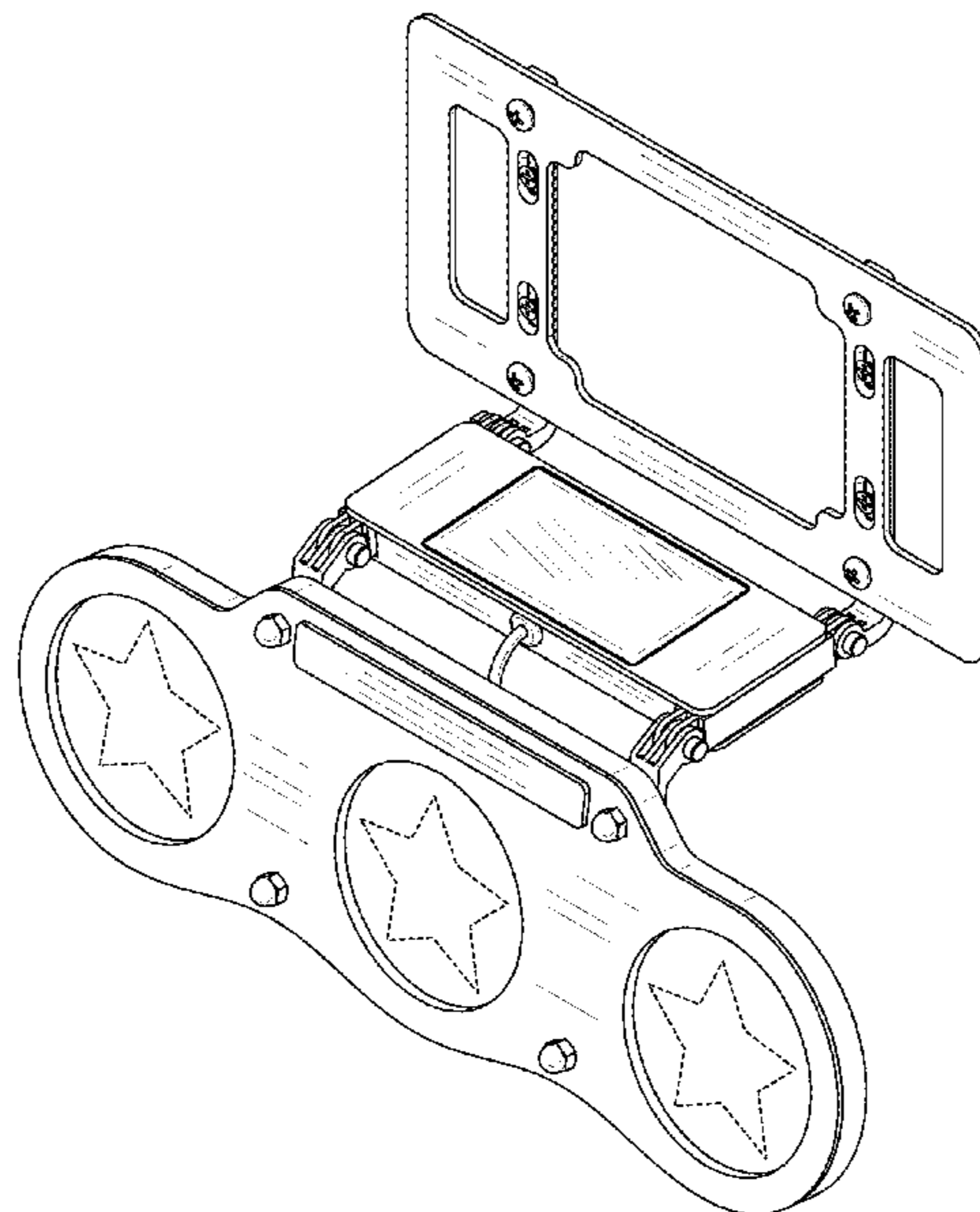
FIG. 6 is a top plan view of the attachable external vehicle sign, with environment.

FIG. 7 is a bottom plan view of the attachable external vehicle sign; and,

FIG. 8 is a second perspective view of the attachable external vehicle sign, shown with environment.

The broken lines showing in FIGS. 1, 2, 6, and 8, are for the purpose of illustrating the environment of the article only and form no part of the claimed design.

**1 Claim, 5 Drawing Sheets**



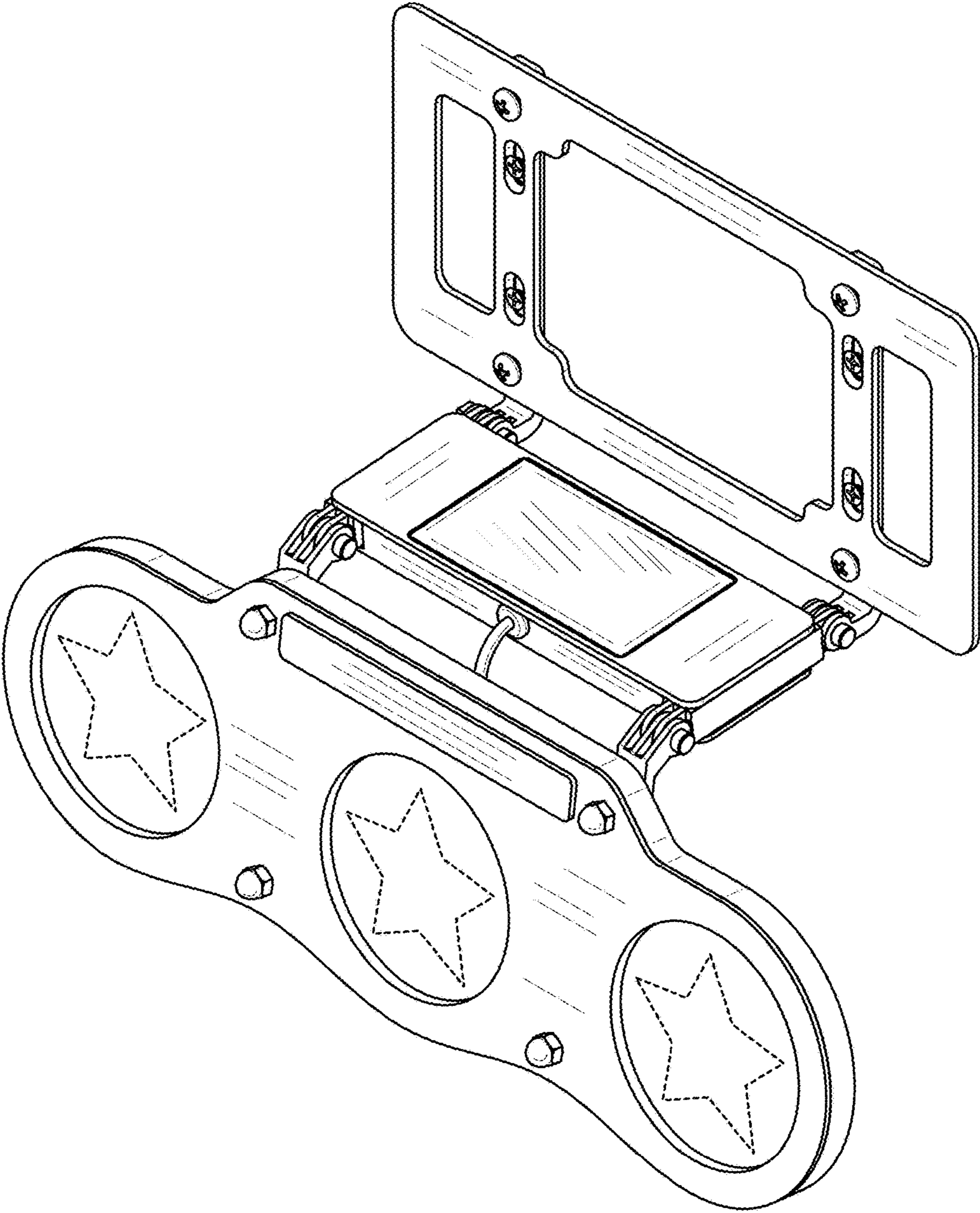


FIG. 1

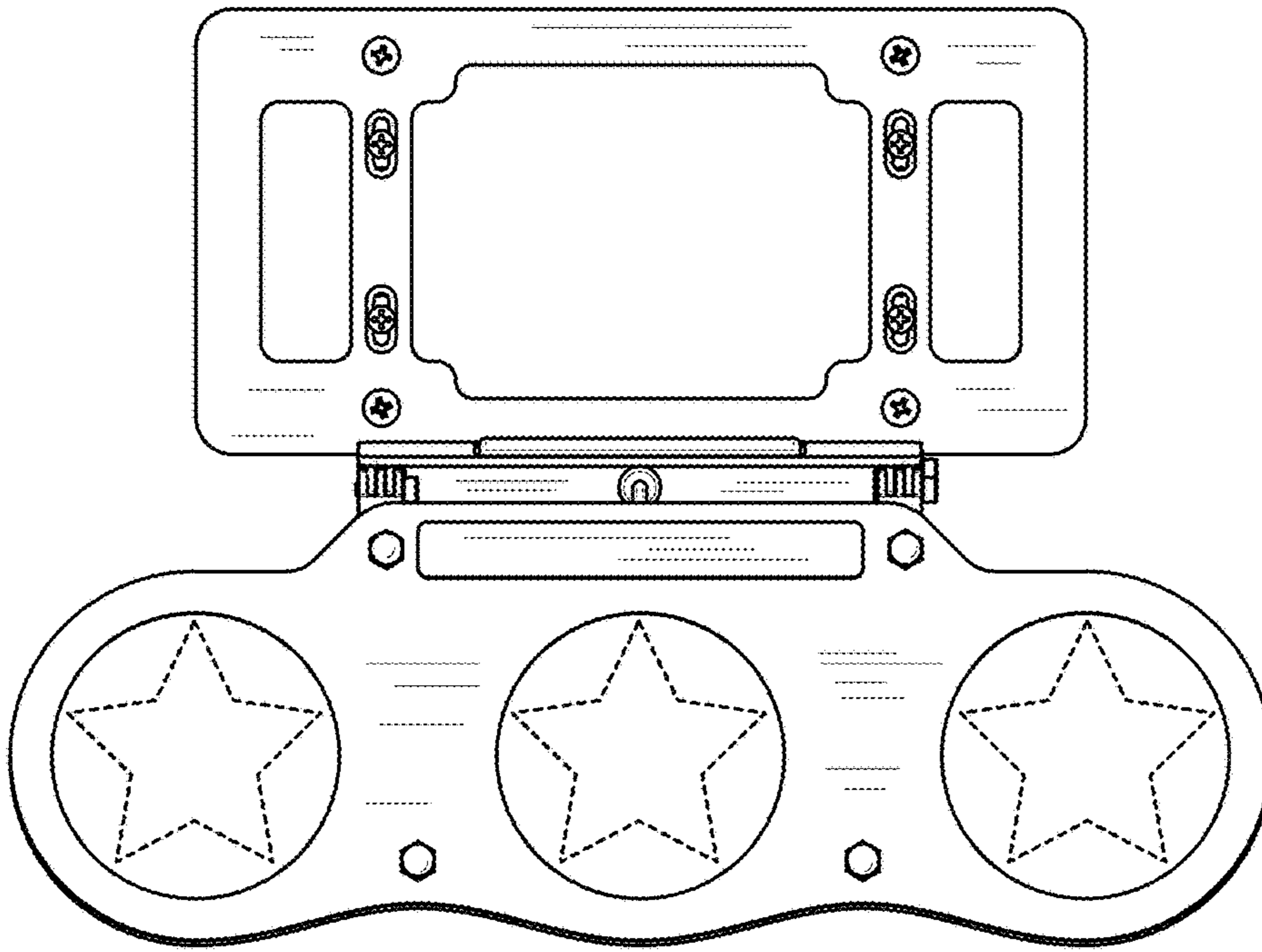


FIG. 2

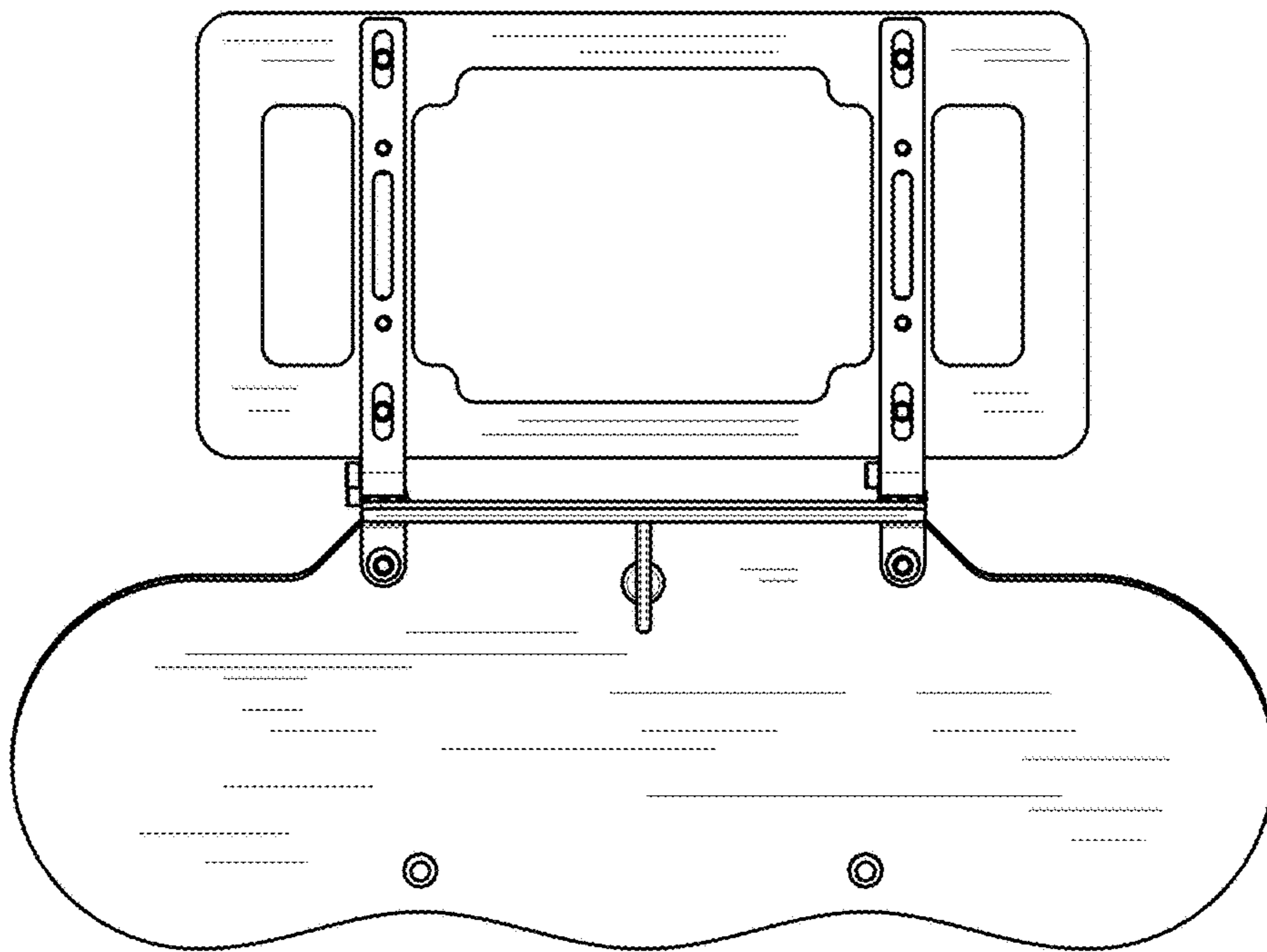


FIG. 3

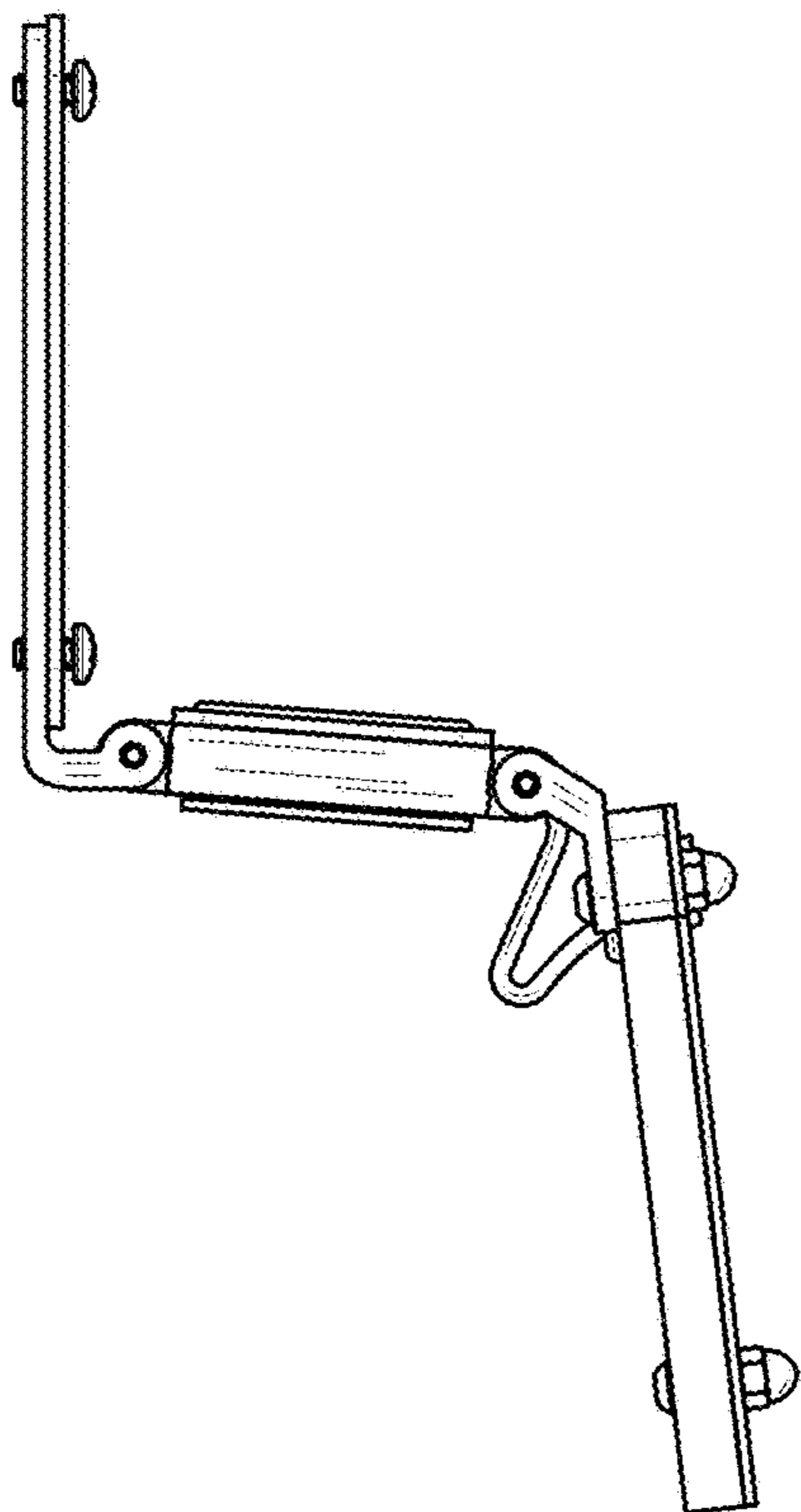


FIG. 4

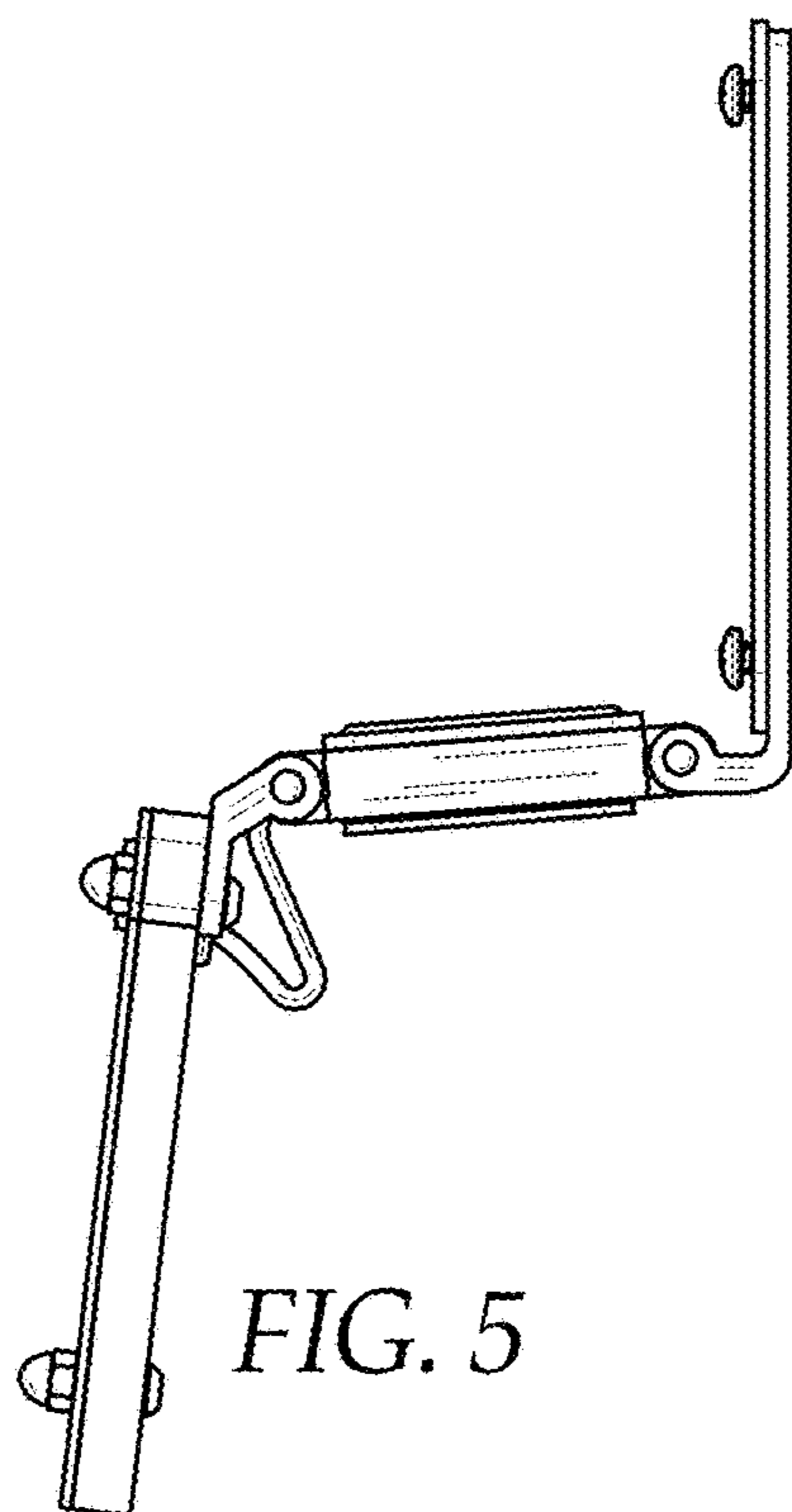


FIG. 5

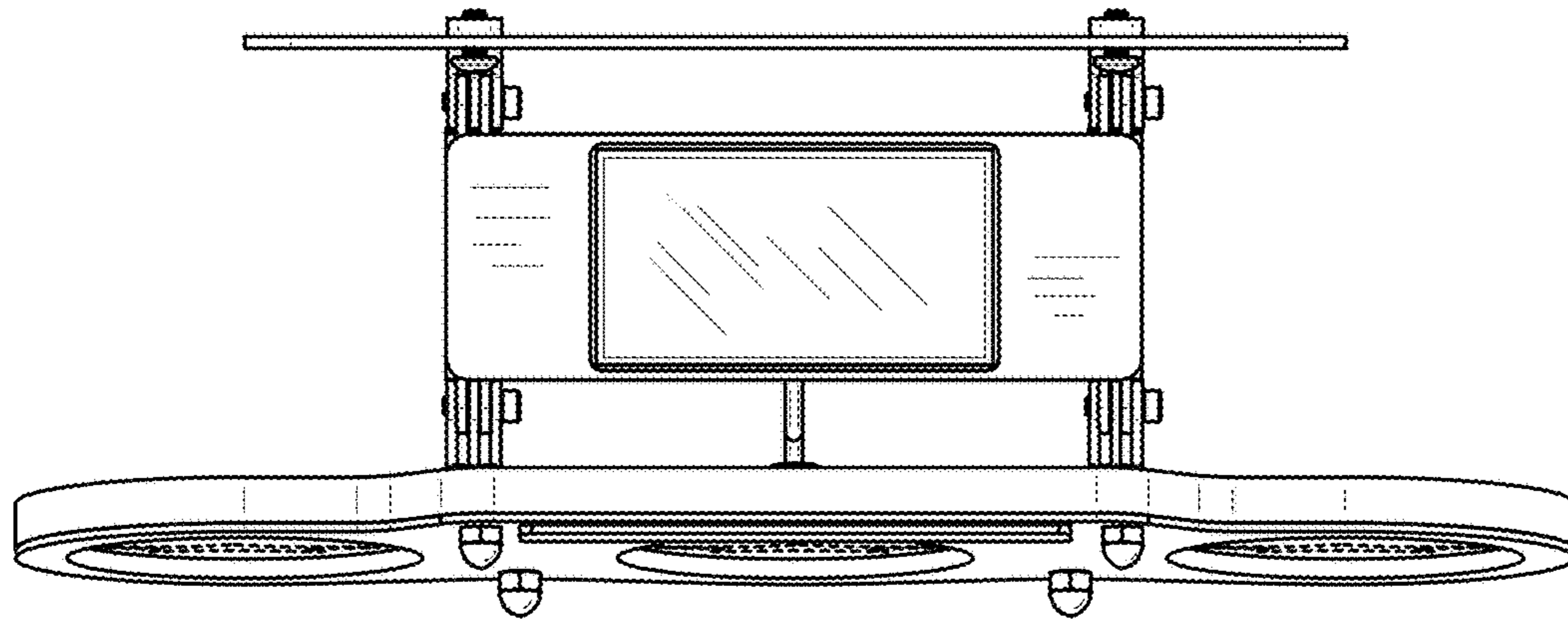


FIG. 6

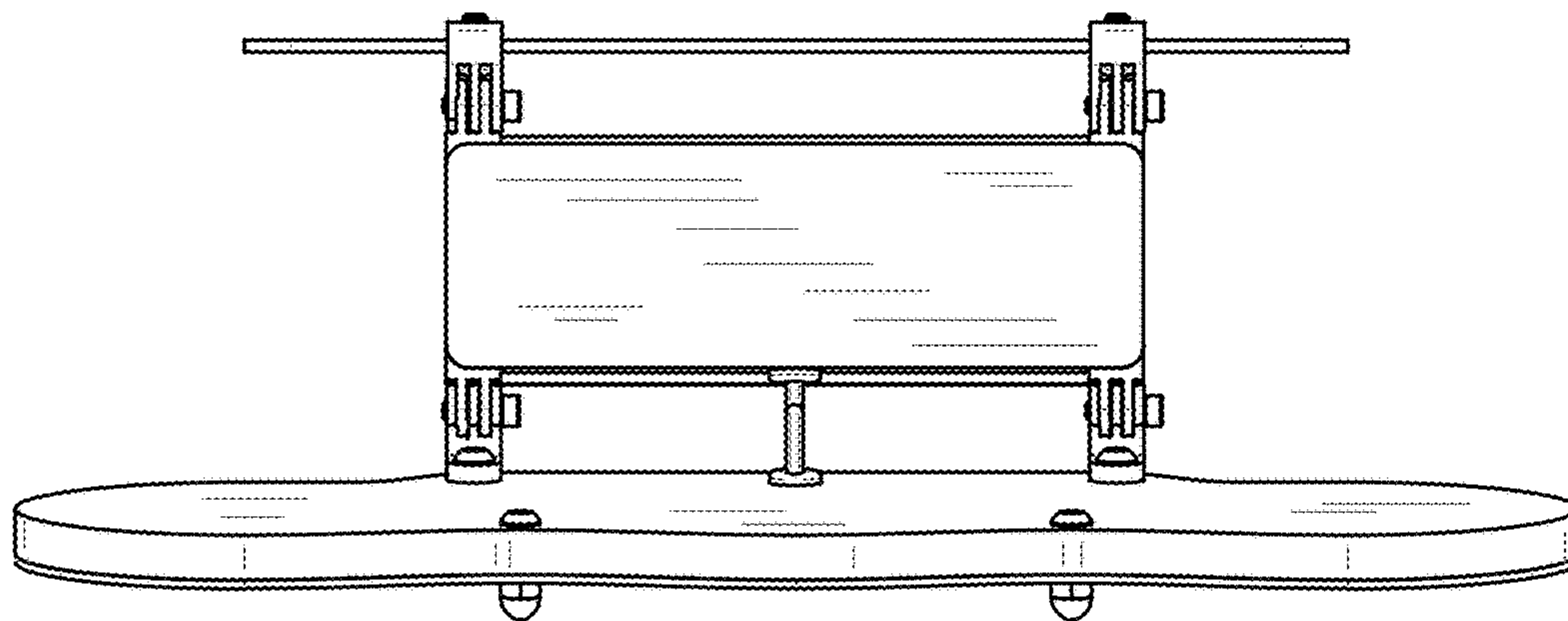


FIG. 7

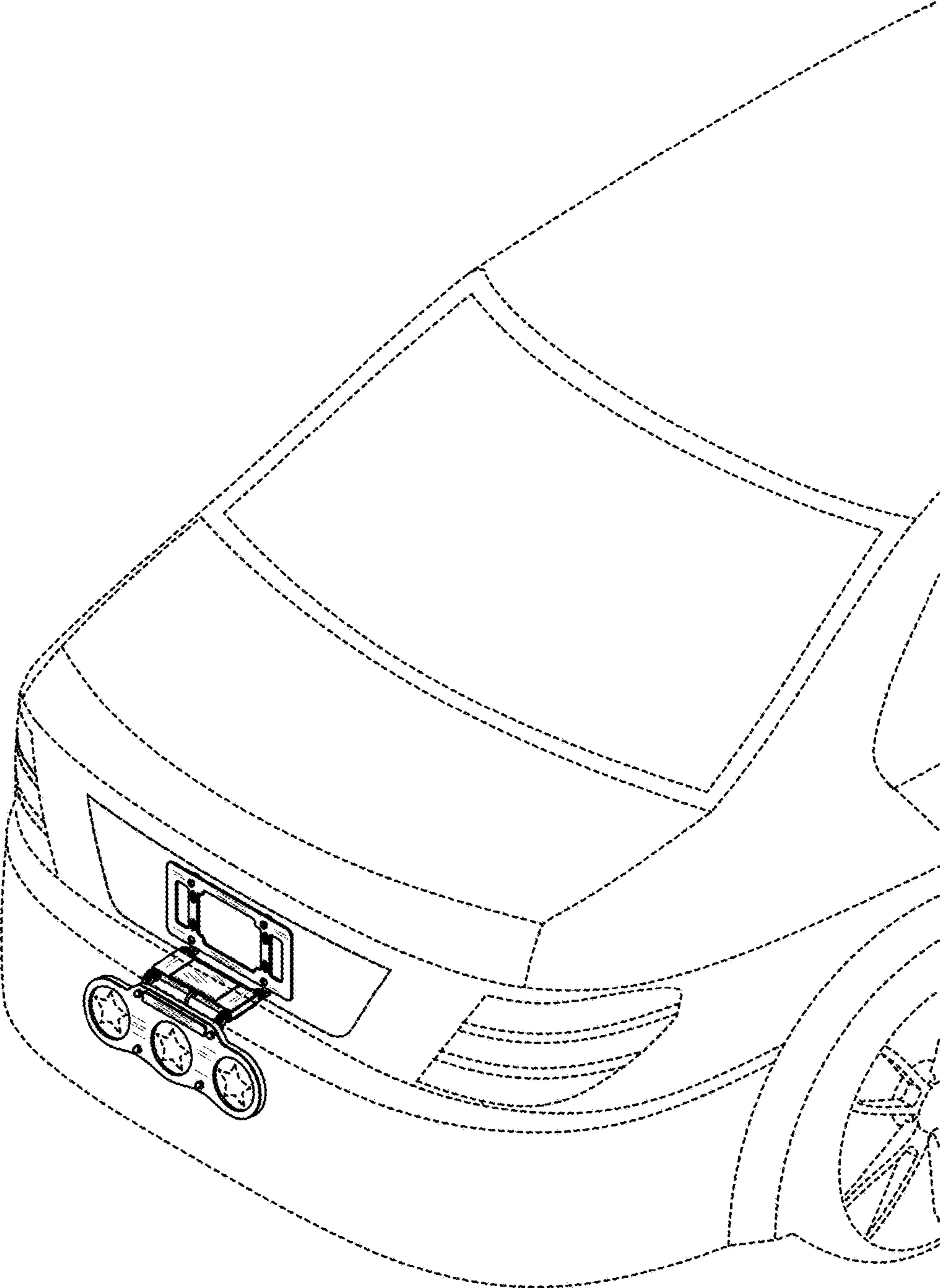


FIG. 8