



US00D824307S

(12) **United States Design Patent**
Spencer et al.

(10) **Patent No.:** **US D824,307 S**
(45) **Date of Patent:** **** Jul. 31, 2018**

- (54) **LICENSE PLATE FRAME**
- (71) Applicant: **Cruiser Accessories, LLC**, Monument, CO (US)
- (72) Inventors: **Todd Spencer**, Colorado Springs, CO (US); **Eldon L. Goates**, Colorado Springs, CO (US); **Mark Hunter Basenberg, Jr.**, Colorado Springs, CO (US)
- (73) Assignee: **Cruiser Accessories, LLC**, Monument, CO (US)

- D566,024 S * 4/2008 Pacleb D12/193
- D599,726 S * 9/2009 Pacleb D12/193
- D623,105 S * 9/2010 Aneiros D12/193
- D625,234 S * 10/2010 Vuletic D12/193
- D633,837 S * 3/2011 Murray D12/193
- D718,690 S * 12/2014 Marksteiner D12/193

* cited by examiner

Primary Examiner — George D. Kirschbaum
Assistant Examiner — Natasha Vujcic
(74) *Attorney, Agent, or Firm* — Linda Flewellen Gould

(**) Term: **15 Years**

(21) Appl. No.: **29/616,202**

(22) Filed: **Sep. 4, 2017**

(51) **LOC (11) Cl.** **12-16**

(52) **U.S. Cl.**
USPC **D12/193**

(58) **Field of Classification Search**
USPC D12/193; D6/300, 301, 302, 310, 311,
D6/312, 313, 314; D20/13
CPC B60R 13/10; B60R 13/105; B60R 19/24;
B60R 19/52
See application file for complete search history.

(56) **References Cited**

U.S. PATENT DOCUMENTS

- D245,497 S * 8/1977 Ritch D12/193
- D370,450 S * 6/1996 Doan D12/193
- D489,031 S * 4/2004 Leibman D12/193
- D566,023 S * 4/2008 Pacleb D12/193

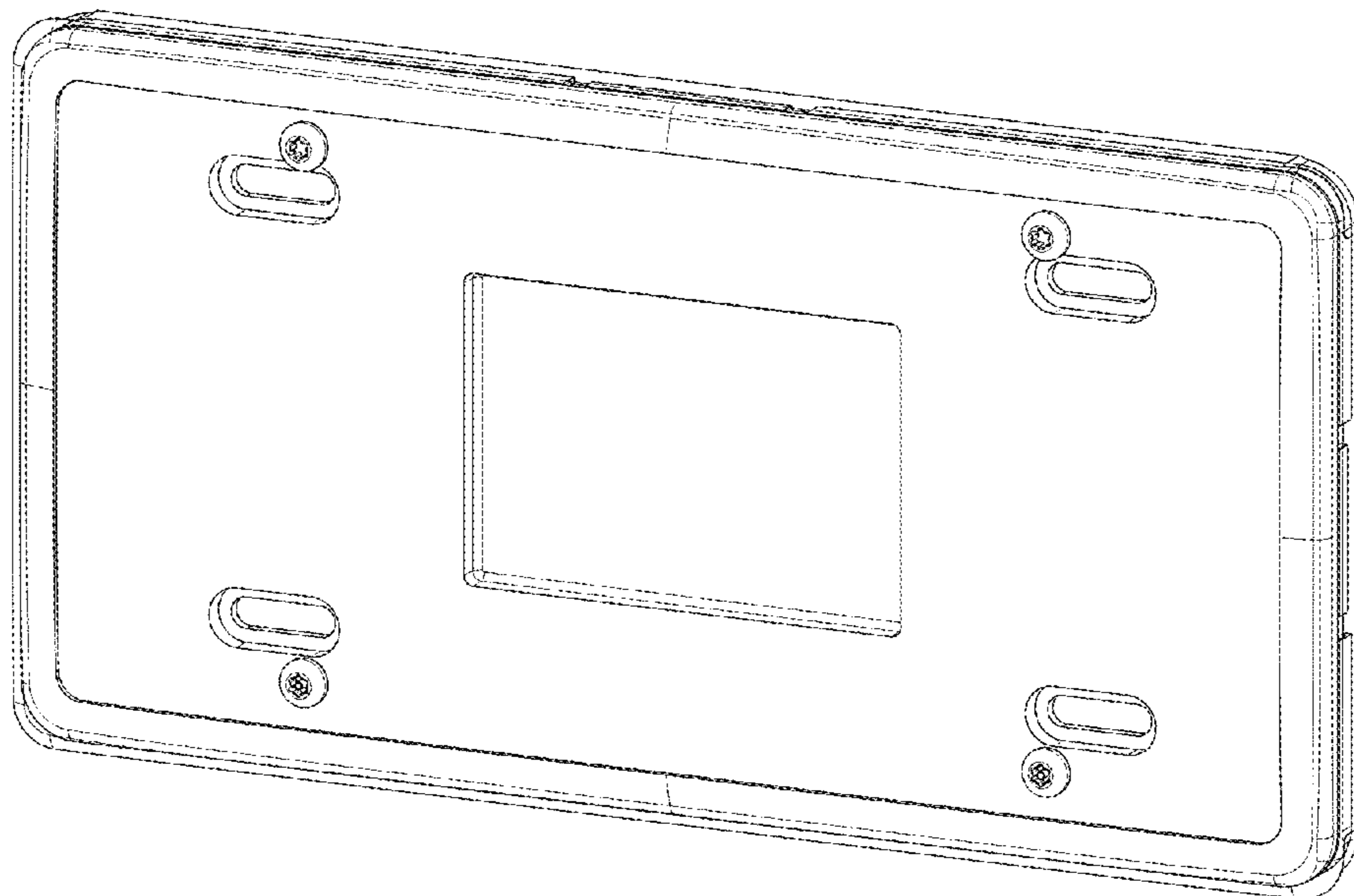
(57) **CLAIM**

The ornamental design for a license plate frame, as shown and described.

DESCRIPTION

FIG. 1 is a perspective front view showing our new design for a license plate frame.
FIG. 2 is a back of the license plate frame shown in FIG. 1.
FIG. 3 is a top view of the license plate frame of the present invention.
FIG. 4 is a bottom view of the license plate frame of the present invention.
FIG. 5 is a left view of the license plate frame of the present invention.
FIG. 6 is a right view of the license plate frame of the present invention.
FIG. 7 is a perspective back view of the license plate frame of the present invention; and,
FIG. 8 is perspective front view of the license plate frame of the present invention shown holding a license plate.
The license plate is shown in dotted lines and does not form a part of the invention claimed herein.

1 Claim, 3 Drawing Sheets



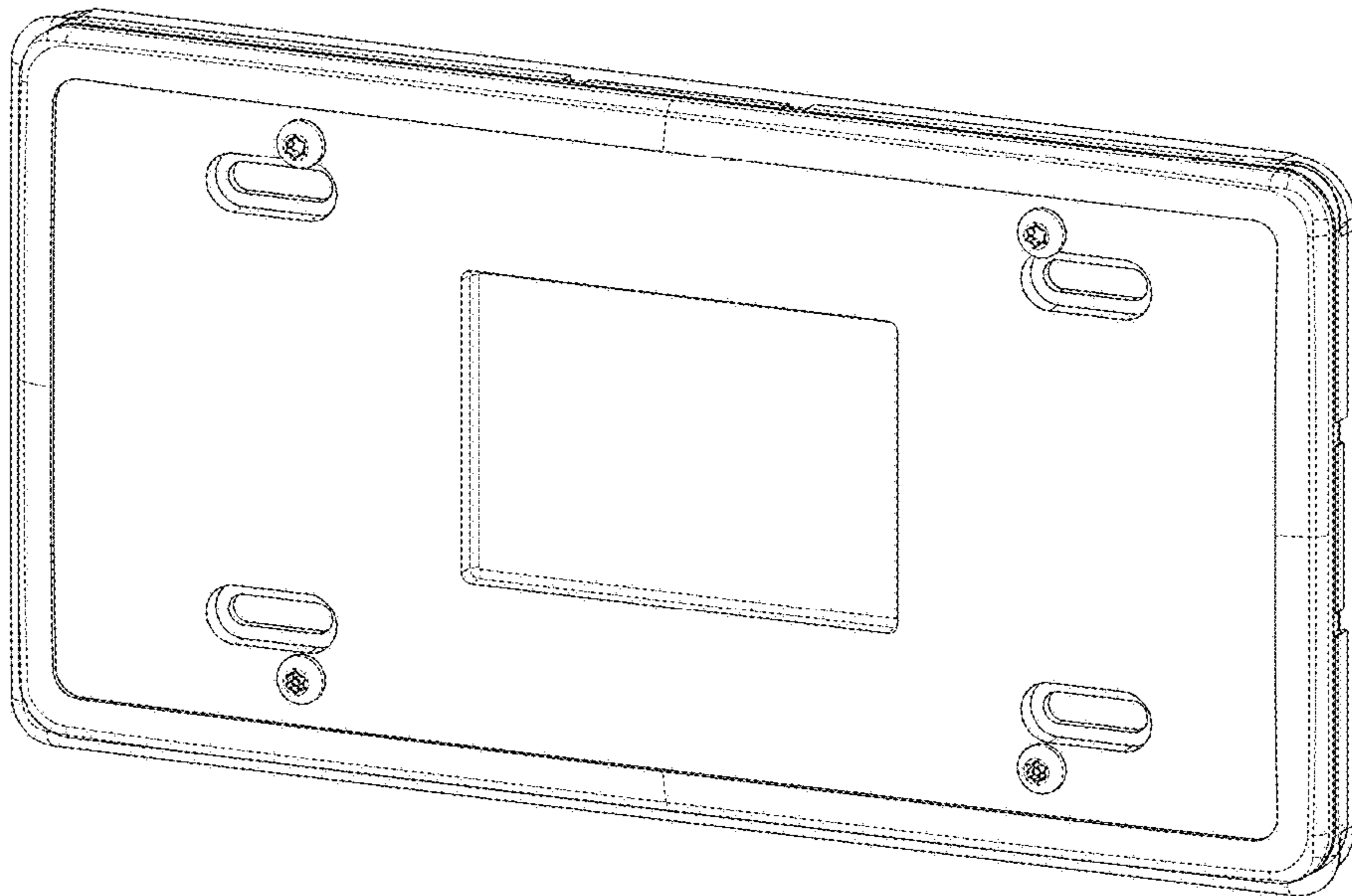


Figure 1

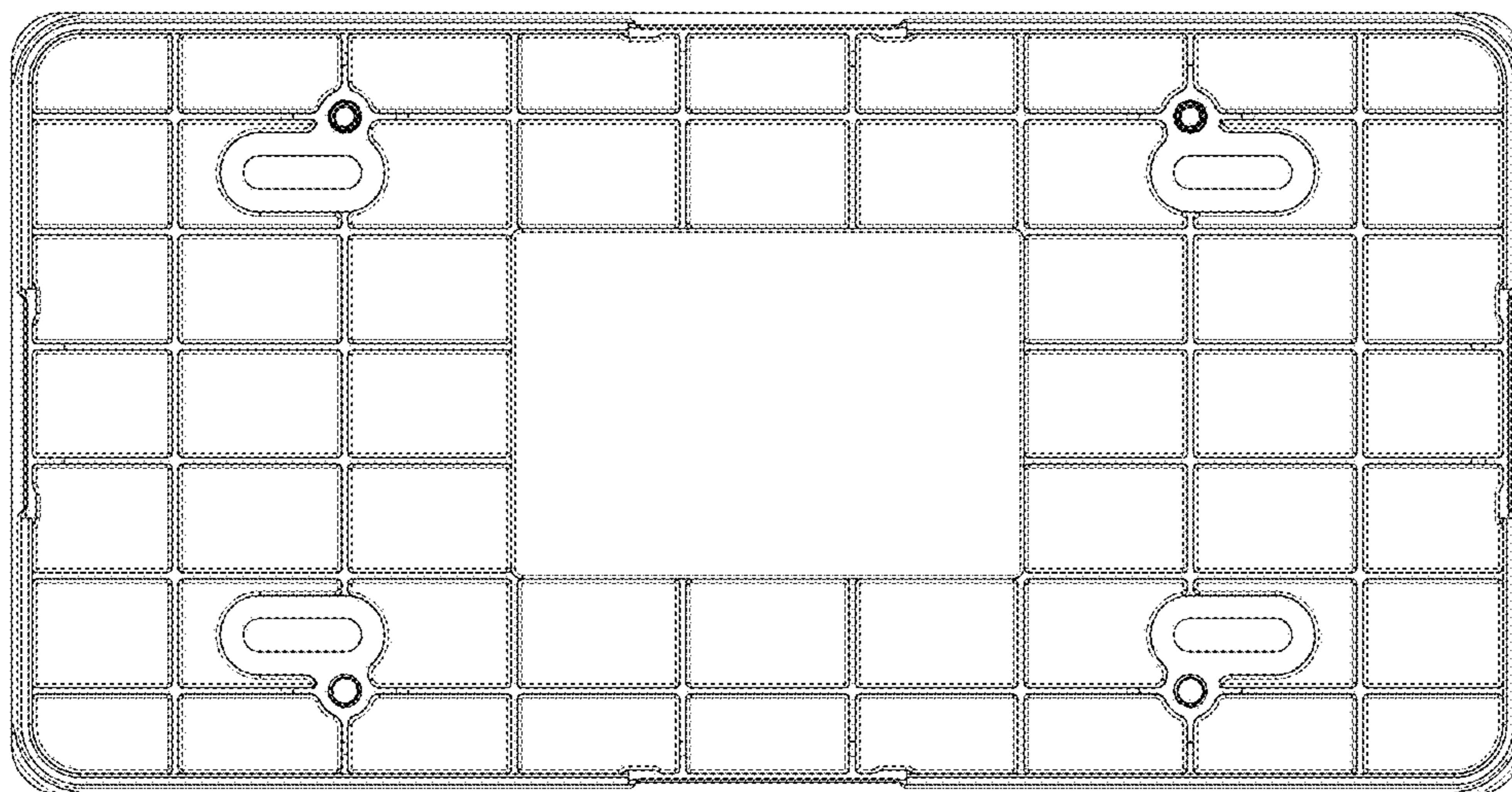


Figure 2

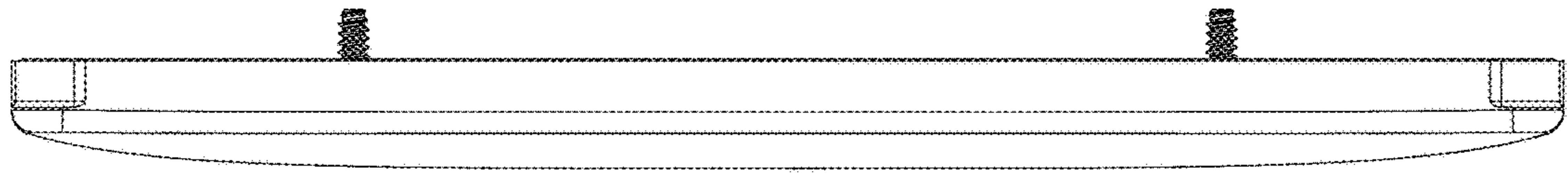


Figure 3

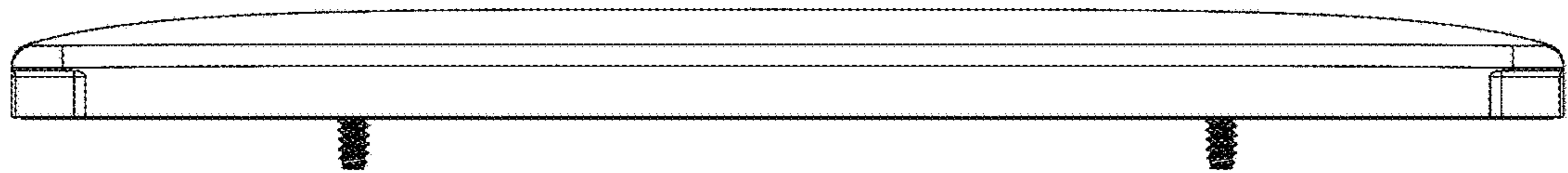


Figure 4

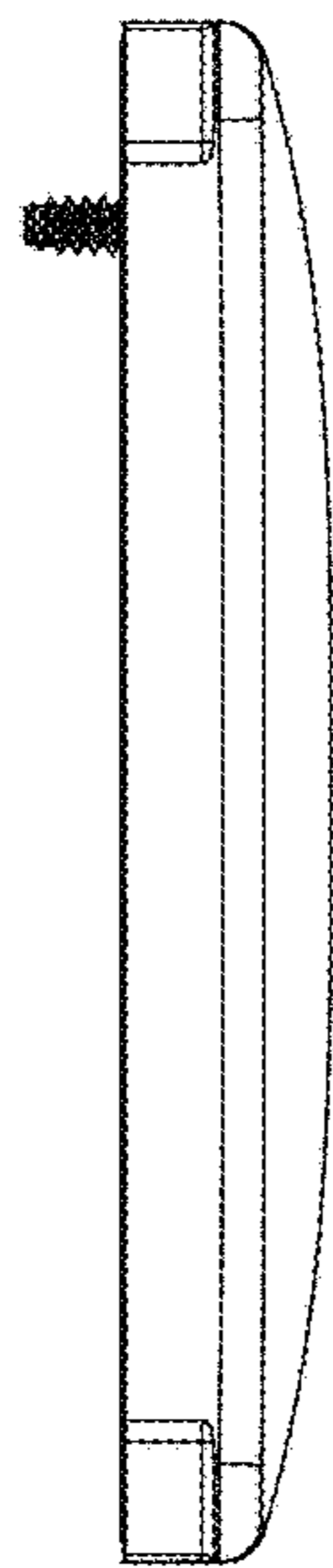


Figure 5

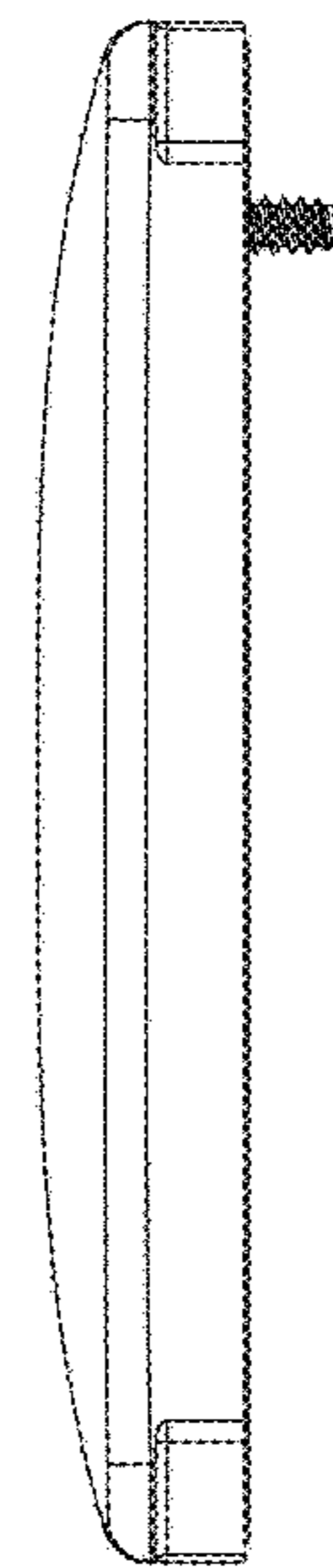


Figure 6

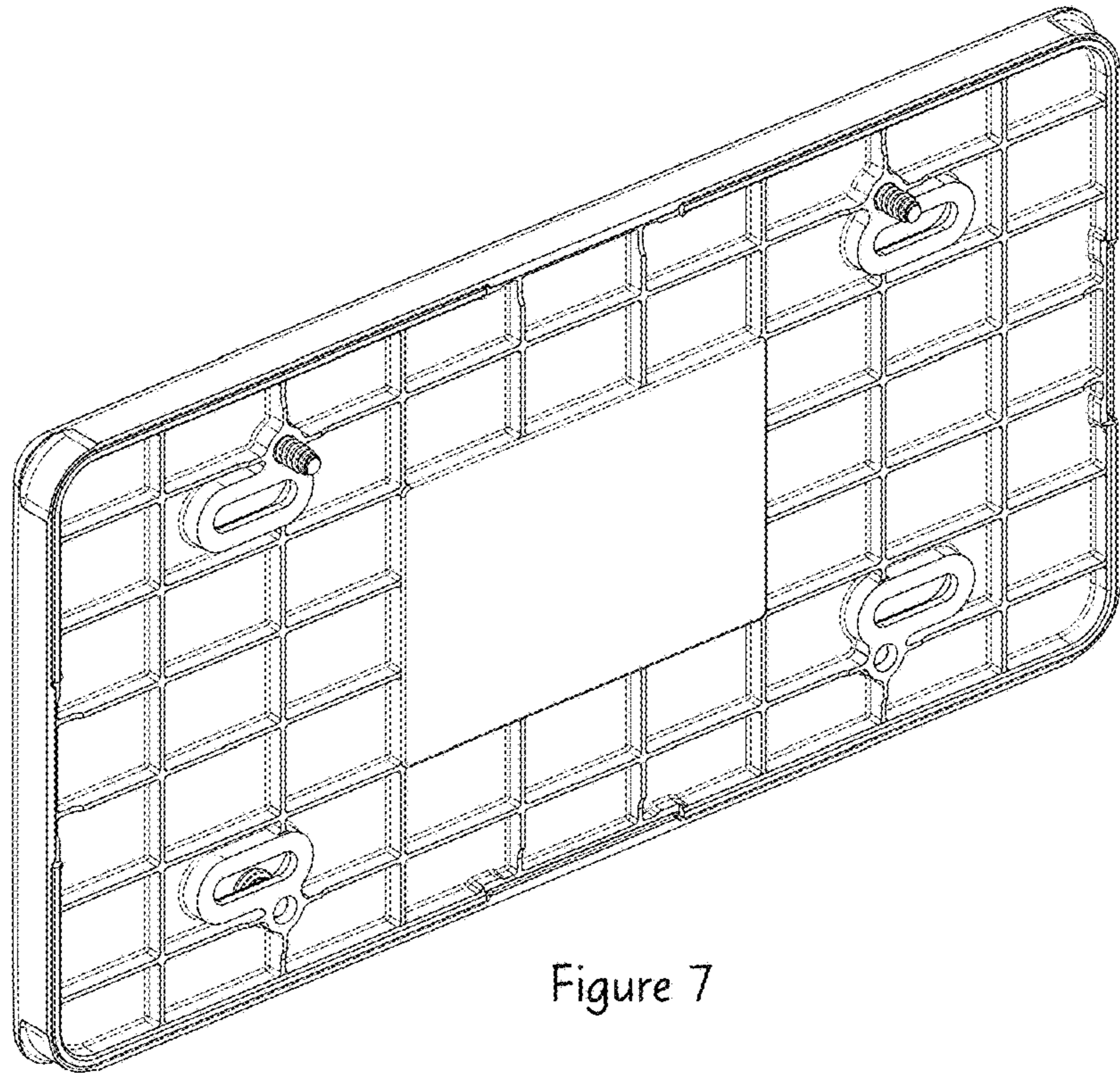


Figure 7

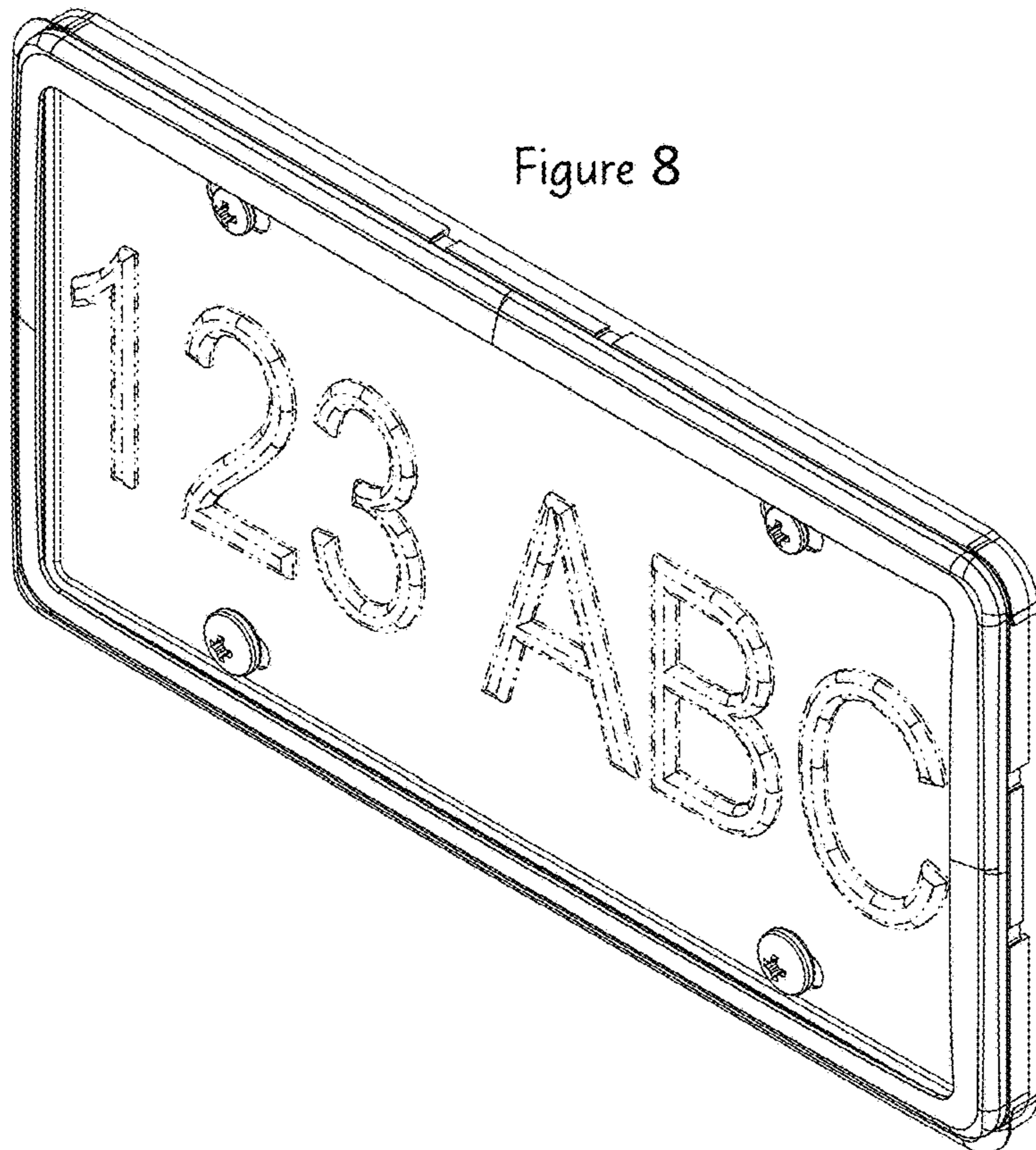


Figure 8