

US00D824306S

(12) **United States Design Patent**  
**Joyce et al.**

(10) **Patent No.:** **US D824,306 S**  
(45) **Date of Patent:** **\*\* Jul. 31, 2018**

(54) **AUTOMOBILE INTERIOR**

(71) Applicants: **Ryan P Joyce**, Detroit, MI (US);  
**Robert Walker**, Bloomfield Hills, MI (US)

(72) Inventors: **Ryan P Joyce**, Detroit, MI (US);  
**Robert Walker**, Bloomfield Hills, MI (US)

(73) Assignee: **FCA US LLC**, Auburn Hills, MI (US)

(\*\*) Term: **15 Years**

(21) Appl. No.: **29/616,445**

(22) Filed: **Sep. 6, 2017**

(51) **LOC (11) Cl.** ..... **12-16**

(52) **U.S. Cl.**  
USPC ..... **D12/192**

(58) **Field of Classification Search**  
USPC ..... D12/192, 415, 418, 419, 110, 114, 345;  
D15/17, 28; D10/46, 98, 102-103,  
D10/122-127  
CPC ..... G08G 1/096883; G01C 21/16; G01C  
21/3688; G01C 21/30  
See application file for complete search history.

(56) **References Cited**

**U.S. PATENT DOCUMENTS**

D642,104 S 7/2011 Nagode  
D721,997 S 2/2015 Hedge et al.

D803,743 S \* 11/2017 Igarashi ..... D12/192  
D804,380 S \* 12/2017 Nakai ..... D12/192  
D806,623 S \* 1/2018 Kato ..... D12/192  
D807,266 S \* 1/2018 Hasegawa ..... D12/192  
D808,873 S \* 1/2018 Joyce ..... D12/192  
D809,443 S \* 2/2018 Walker ..... D12/192  
D810,642 S \* 2/2018 Nakaya ..... D12/192  
D810,643 S \* 2/2018 Takamura ..... D12/192  
D813,127 S \* 3/2018 Yamamoto ..... D12/192  
D813,769 S \* 3/2018 Yaguchi ..... D12/192

\* cited by examiner

*Primary Examiner* — Katrina A Betton

(74) *Attorney, Agent, or Firm* — Ralph E. Smith

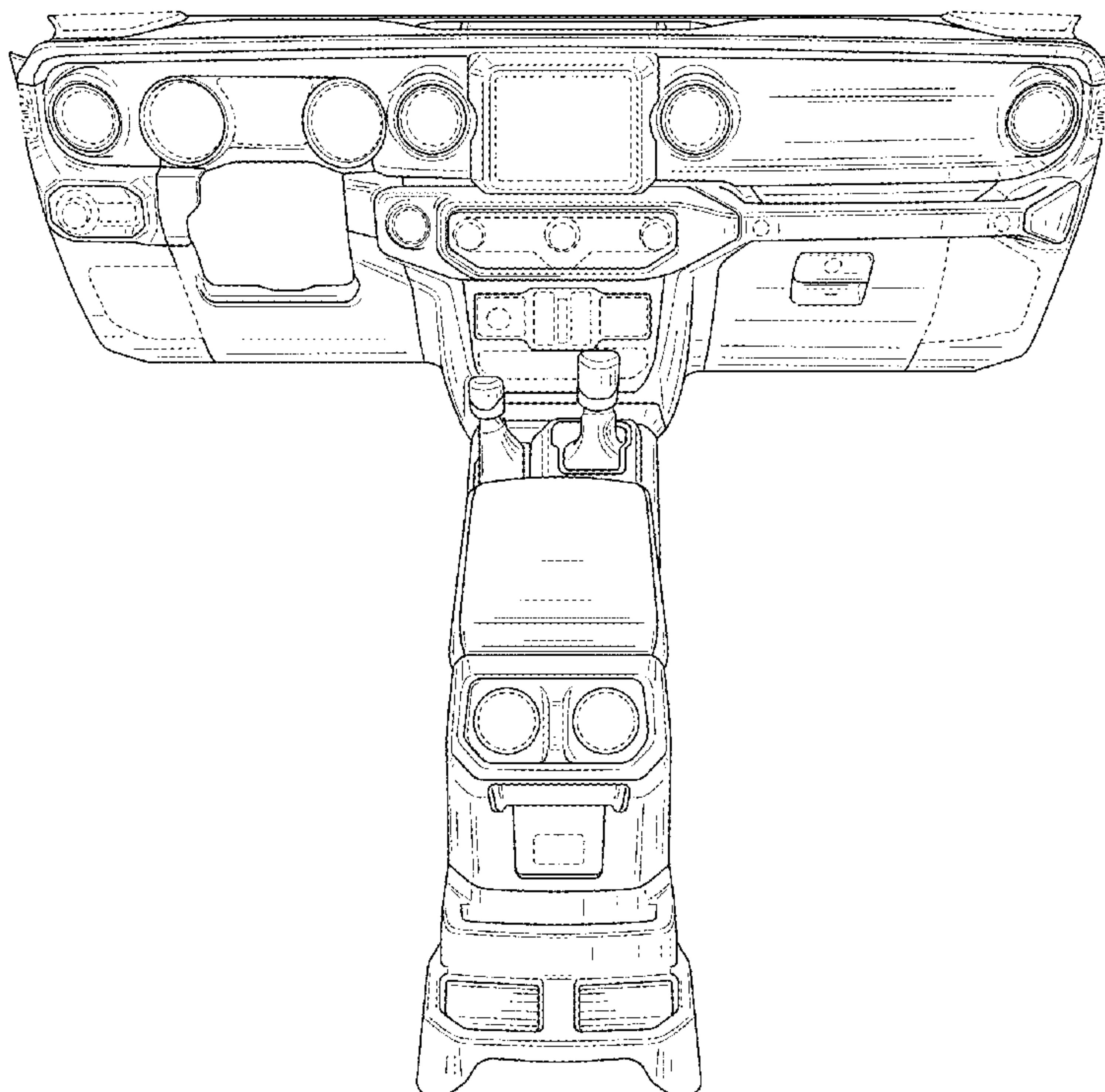
(57) **CLAIM**

The ornamental design for an automobile interior, as shown and described.

**DESCRIPTION**

FIG. 1 is a driver-side perspective of an automobile interior showing our new design;  
FIG. 2 is a front view thereof;  
FIG. 3 is a passenger-side perspective view thereof; and,  
FIG. 4 is a top plan view.  
It will be understood that the broken lines shown in the drawings illustrate portions of the automobile interior that form no part of claimed design.

**1 Claim, 4 Drawing Sheets**



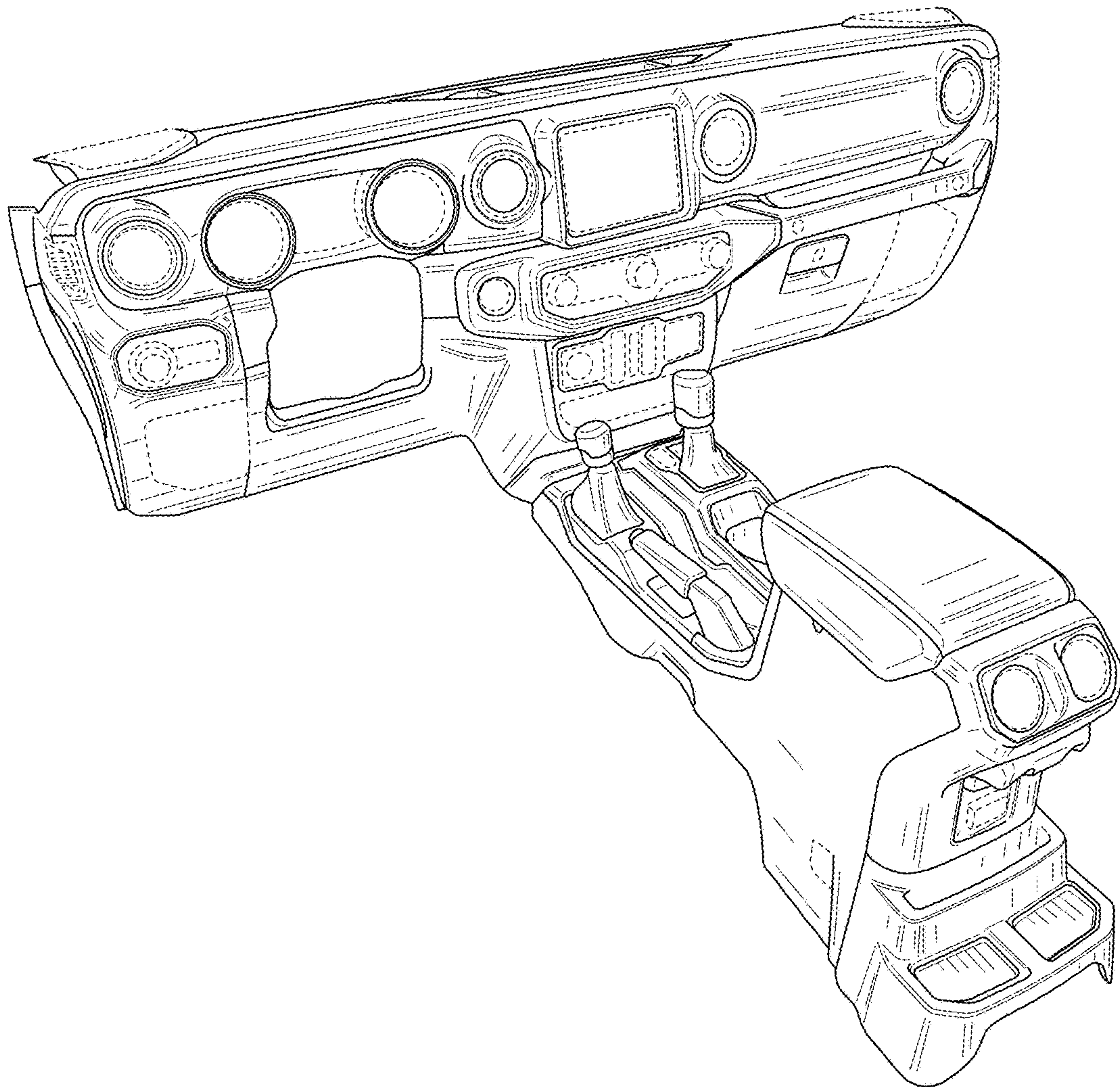


FIG. 1

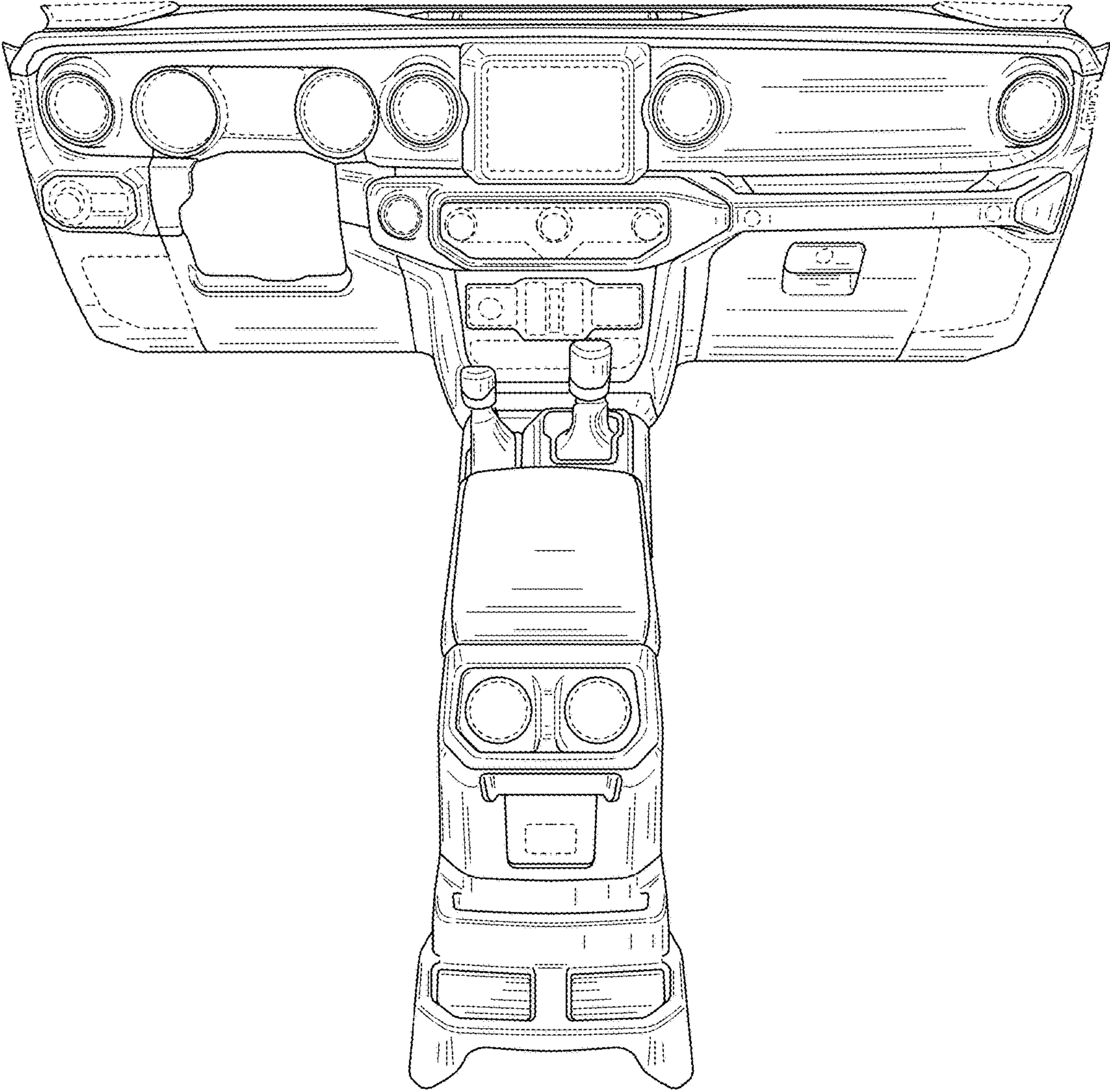


FIG. 2



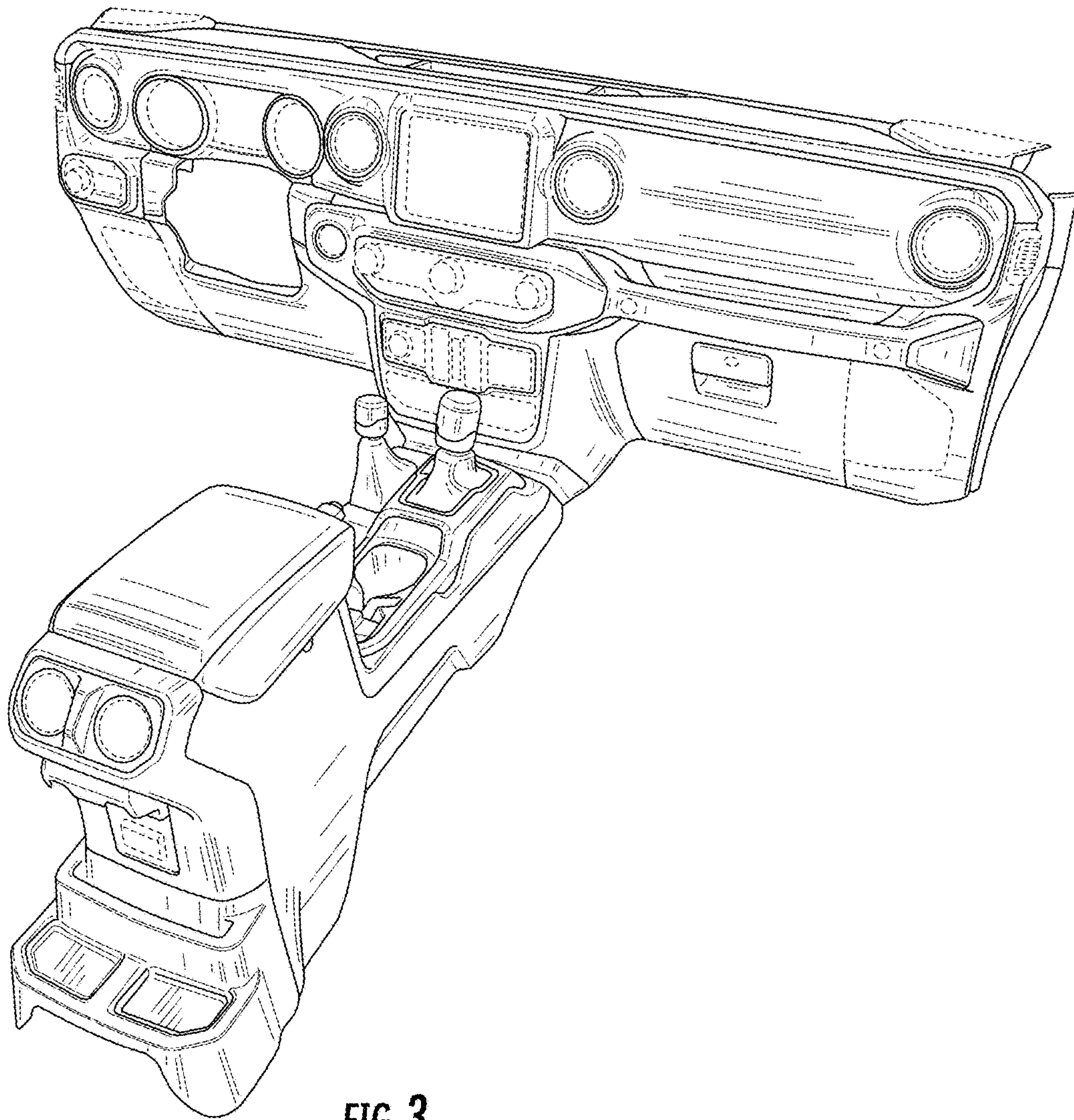


FIG. 3

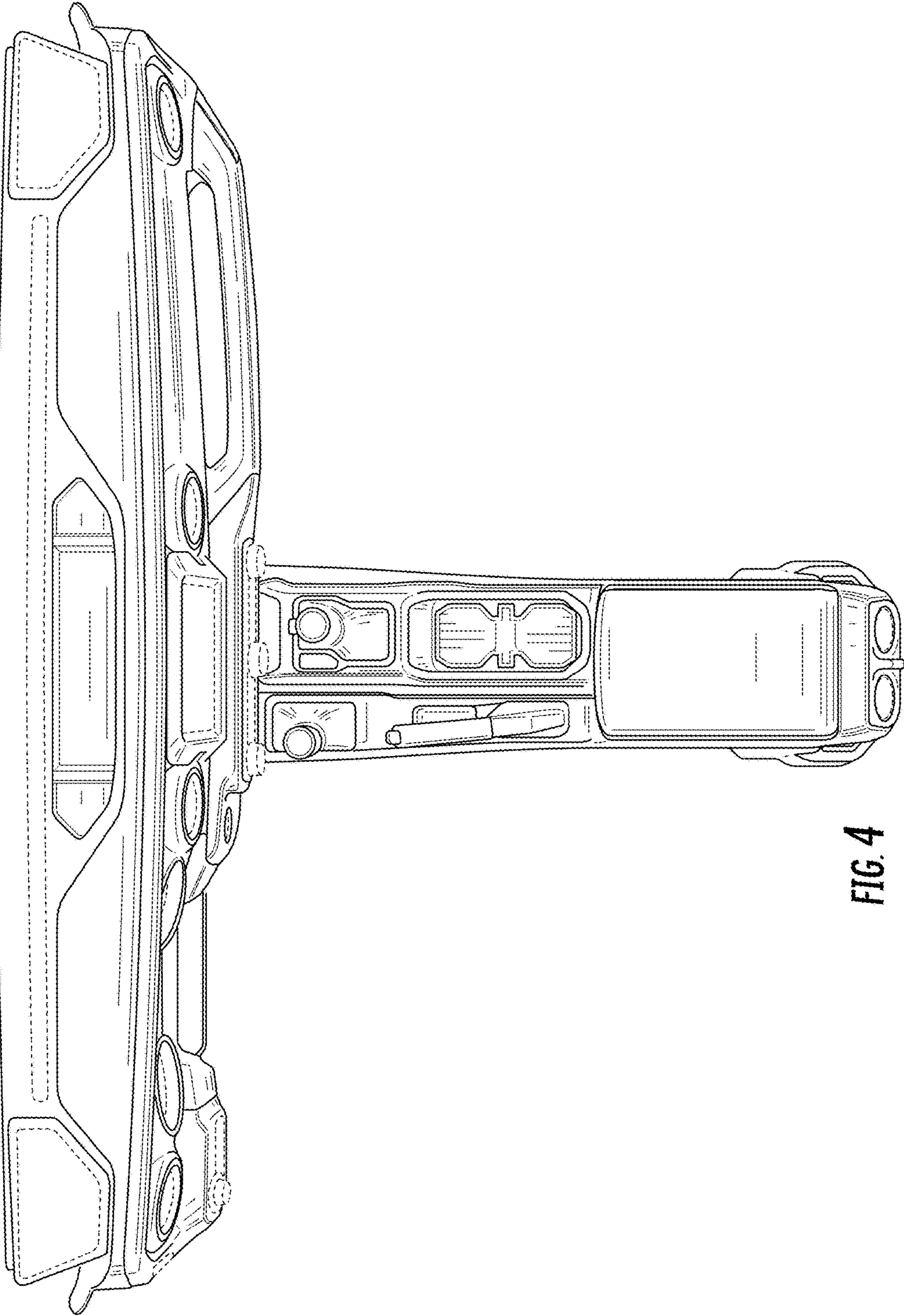


FIG. 4