



US00D824302S

(12) **United States Design Patent** (10) **Patent No.:** **US D824,302 S**
Cadalora et al. (45) **Date of Patent:** **** Jul. 31, 2018**

- (54) **CONTROL INTERFACE SCREEN FOR A VEHICLE STEERING WHEEL**
- (71) Applicant: **CNH Industrial America LLC**, New Holland, PA (US)
- (72) Inventors: **Alessio Cadalora**, Modena (IT); **Jakub Maria Sulikowski**, Modena (IT); **Tiziano Salvini**, Milan (IT); **Simone Molesini**, Modena (IT)
- (73) Assignee: **CNH Industrial America LLC**, New Holland, PA (US)
- (**) Term: **15 Years**
- (21) Appl. No.: **29/615,091**
- (22) Filed: **Aug. 25, 2017**
- (51) **LOC (11) Cl.** **12-16**
- (52) **U.S. Cl.**
USPC **D12/177**
- (58) **Field of Classification Search**
USPC D12/174, 175, 176, 177, 192; D14/447; D21/694
CPC B60K 2350/928; B60R 21/203; B60R 16/027; B62D 1/046
See application file for complete search history.

D596,247 S * 7/2009 Wu D21/671
D707,162 S * 6/2014 Finney D12/175
9,193,375 B2 * 11/2015 Schramm B60K 35/00
D787,994 S * 5/2017 Carbone D12/175
(Continued)

OTHER PUBLICATIONS

“Will your next New Holland tractor look like this?” AgriLand.ie, Aug. 30, 2017, 8 pages. Found online Mar. 12, 2018 at <http://www.agriland.ie/farming-news/will-your-next-new-holland-tractor-look-like-this/>.*

Primary Examiner — Robert M. Spear
(74) *Attorney, Agent, or Firm* — Rickard K. DeMille; Rebecca L. Henkel

(57) **CLAIM**

The ornamental design for a control interface screen for a vehicle steering wheel, substantially as shown and described.

DESCRIPTION

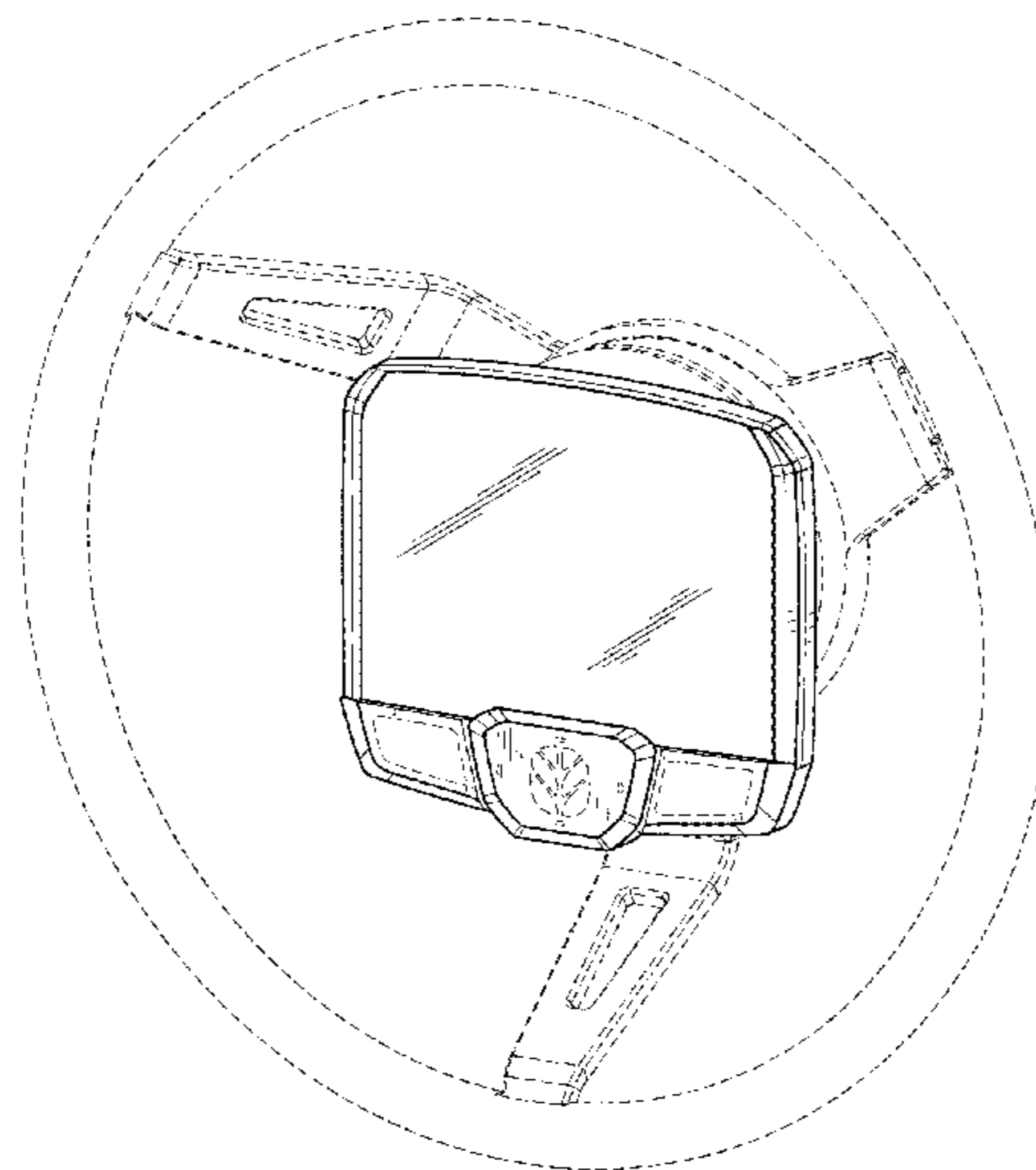
FIG. 1 is a perspective view of a control interface screen for a vehicle steering wheel;
FIG. 2 is a right side view of the control interface screen for a vehicle steering wheel;
FIG. 3 is a left side view of the control interface screen for a vehicle steering wheel;
FIG. 4 is a front view of the control interface screen for a vehicle steering wheel;
FIG. 5 is a back view of the control interface screen for a vehicle steering wheel;
FIG. 6 is a top view of the control interface screen for a vehicle steering wheel; and,
FIG. 7 is a bottom view of the control interface screen for a vehicle steering wheel.
The broken lines in the drawings depict environmental subject matter only and form no part of the claimed design.

1 Claim, 6 Drawing Sheets

(56) **References Cited**

U.S. PATENT DOCUMENTS

- 3,937,101 A * 2/1976 Wade B60N 3/005
74/552
D276,036 S * 10/1984 Montgomery D12/176
D276,037 S * 10/1984 Montgomery D12/177
4,655,308 A * 4/1987 Kraus B60K 37/06
180/78
6,253,131 B1 * 6/2001 Quigley B60R 16/027
340/461
6,360,149 B1 * 3/2002 Kwon B60K 35/00
114/144 R
D567,315 S * 4/2008 Horita D21/694



(56)

References Cited

U.S. PATENT DOCUMENTS

2013/0298716	A1 *	11/2013	Salvini	B62D 1/065 74/492
2016/0001807	A1 *	1/2016	Hans	B62D 1/046 345/173
2016/0375924	A1 *	12/2016	Bodtker	B62D 1/046 74/552

* cited by examiner

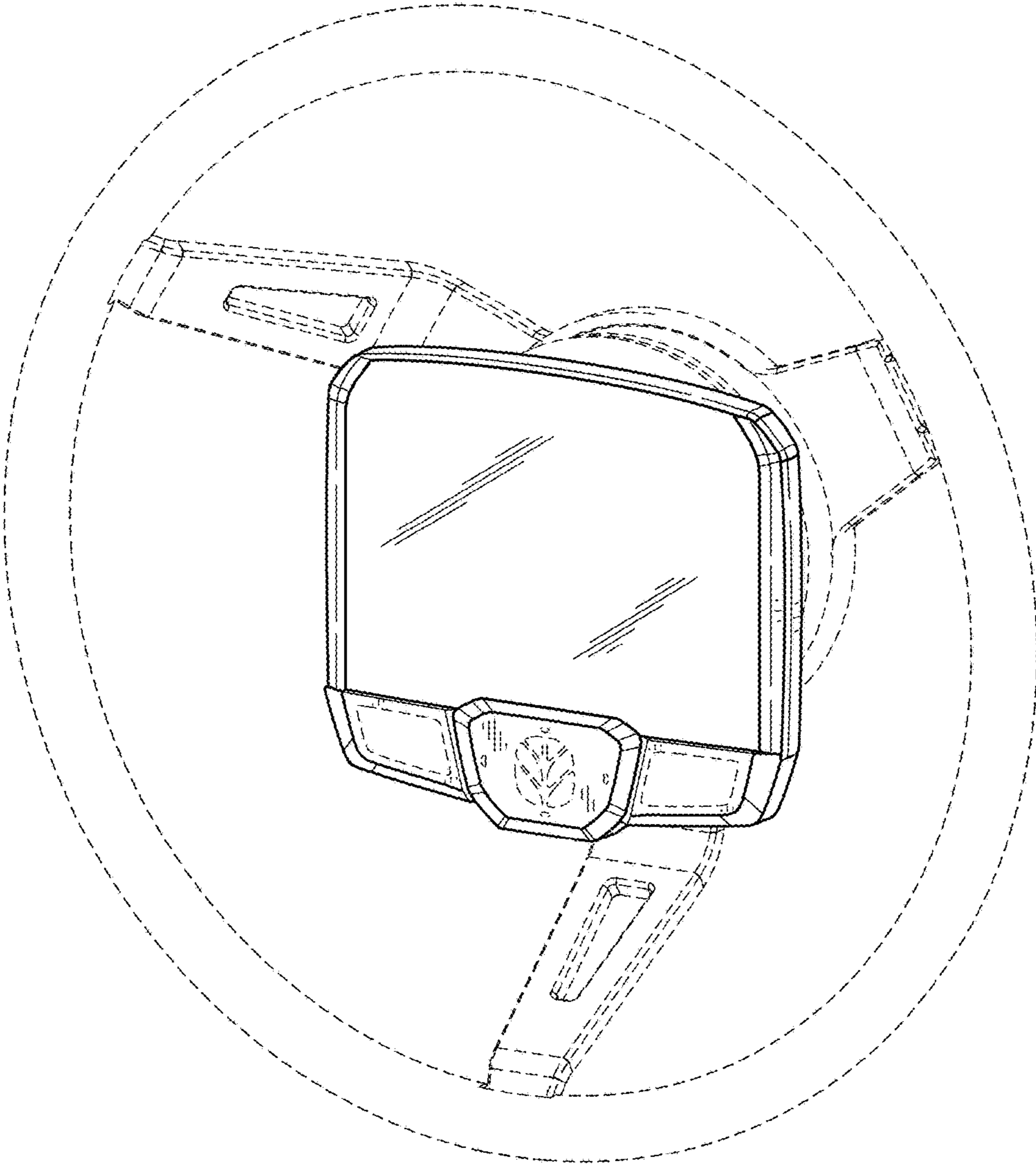


FIG. 1

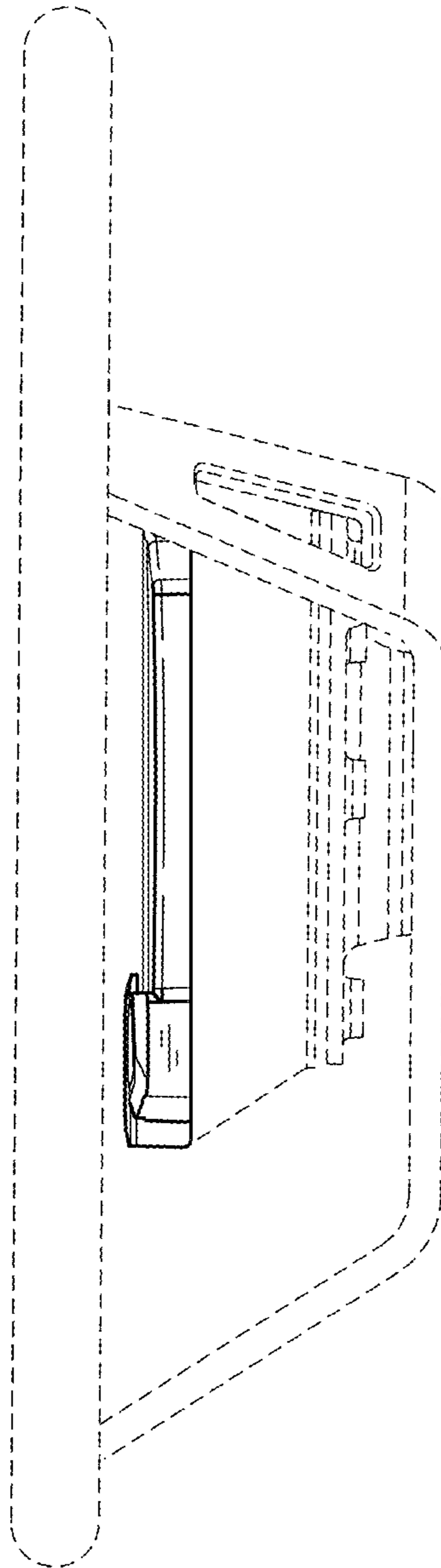


FIG. 2

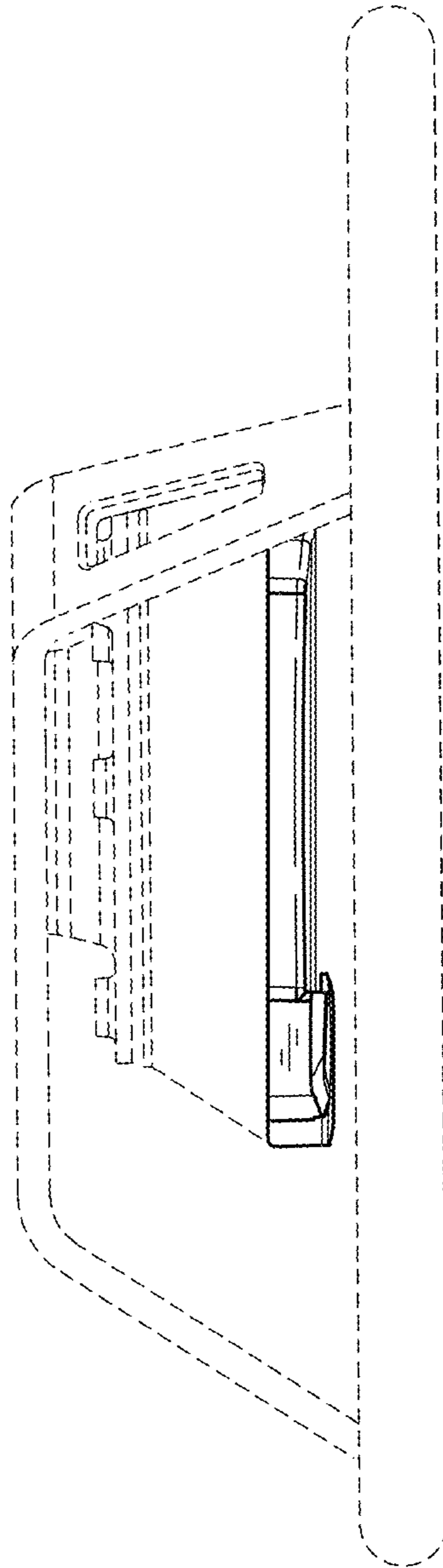


FIG. 3

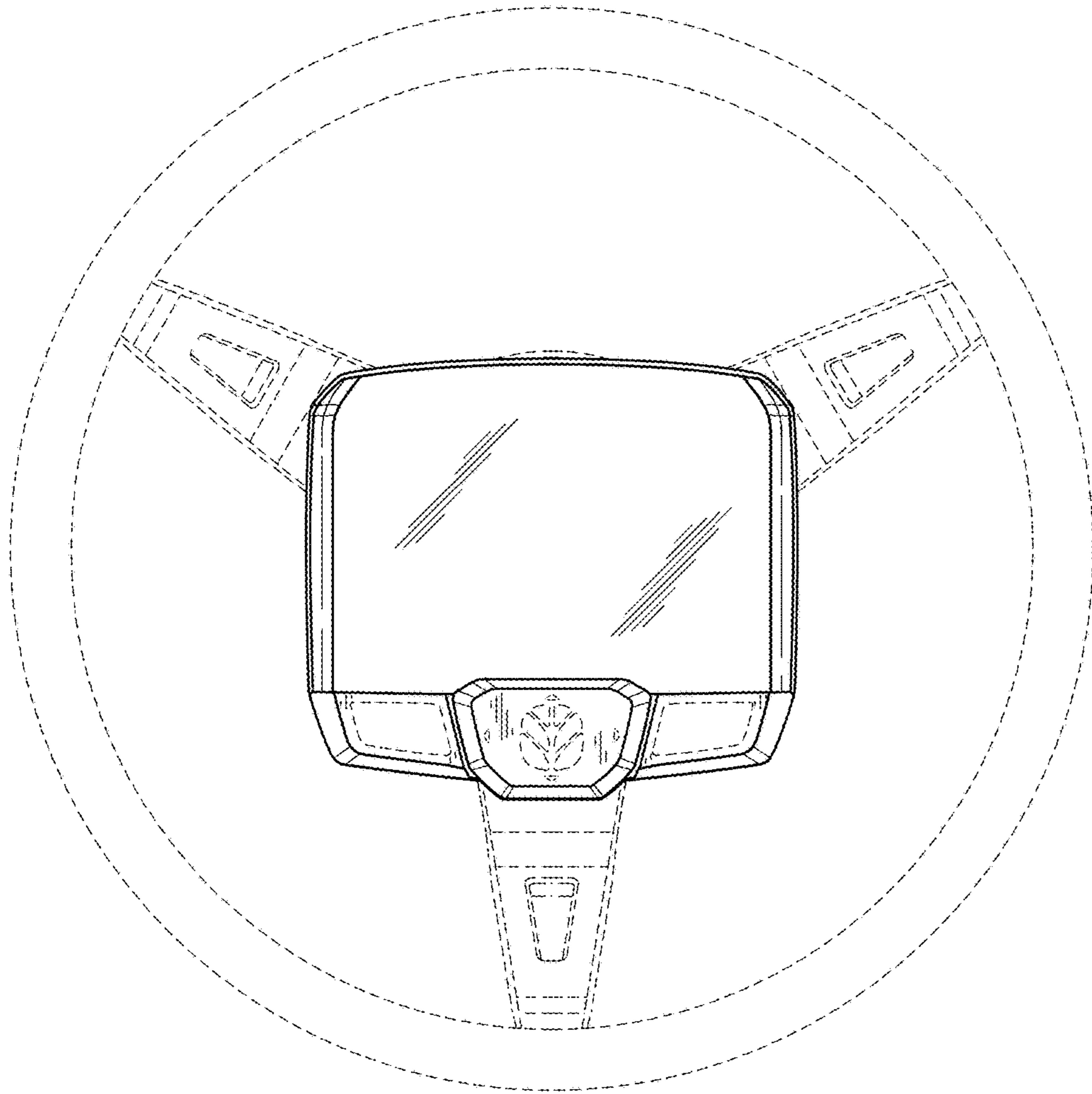


FIG. 4

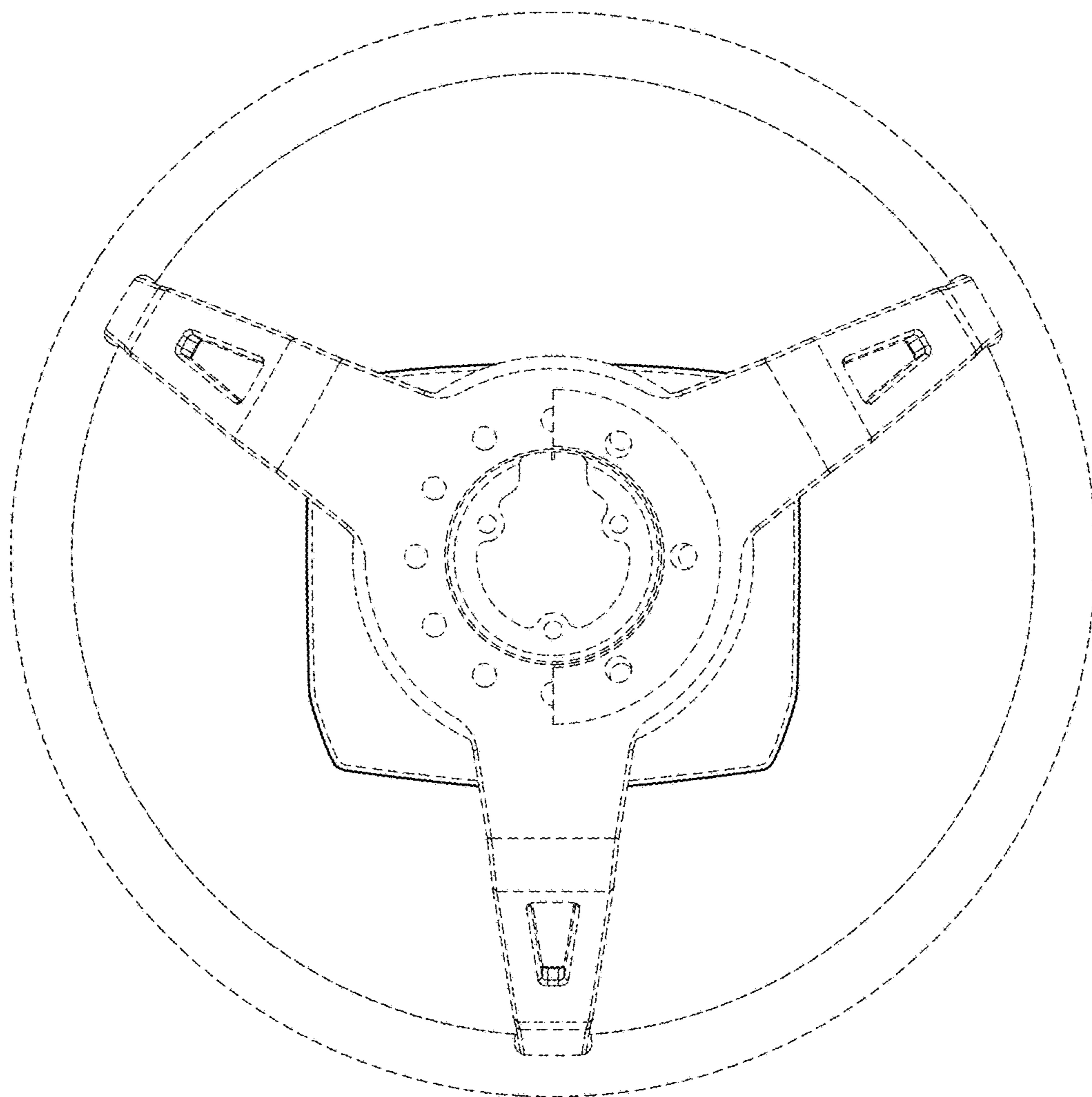


FIG. 5

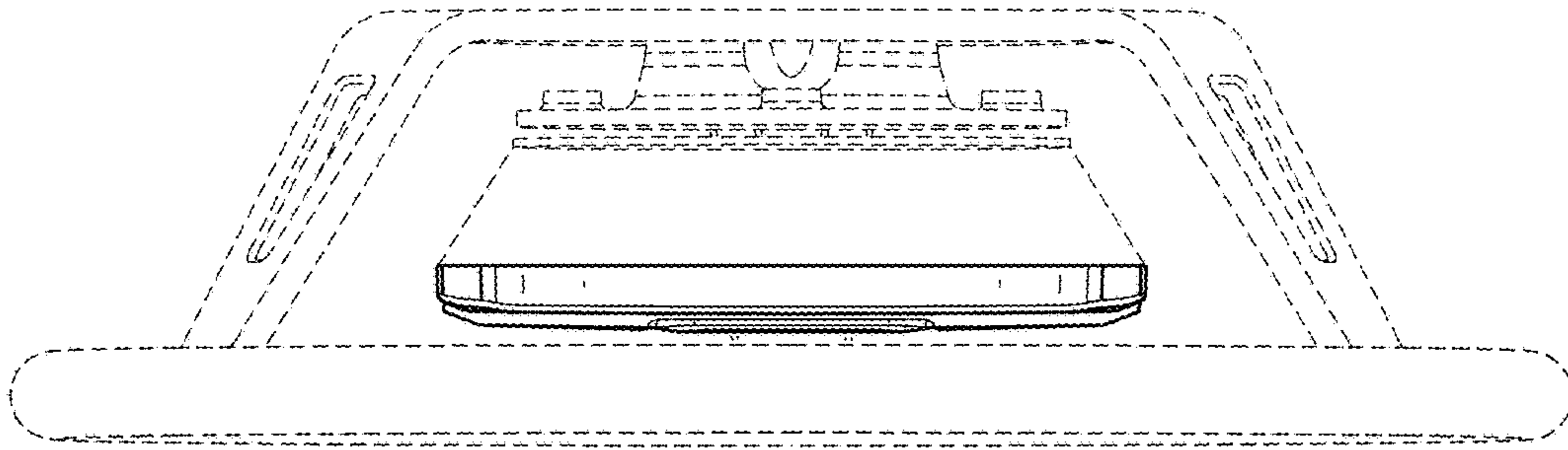


FIG. 6

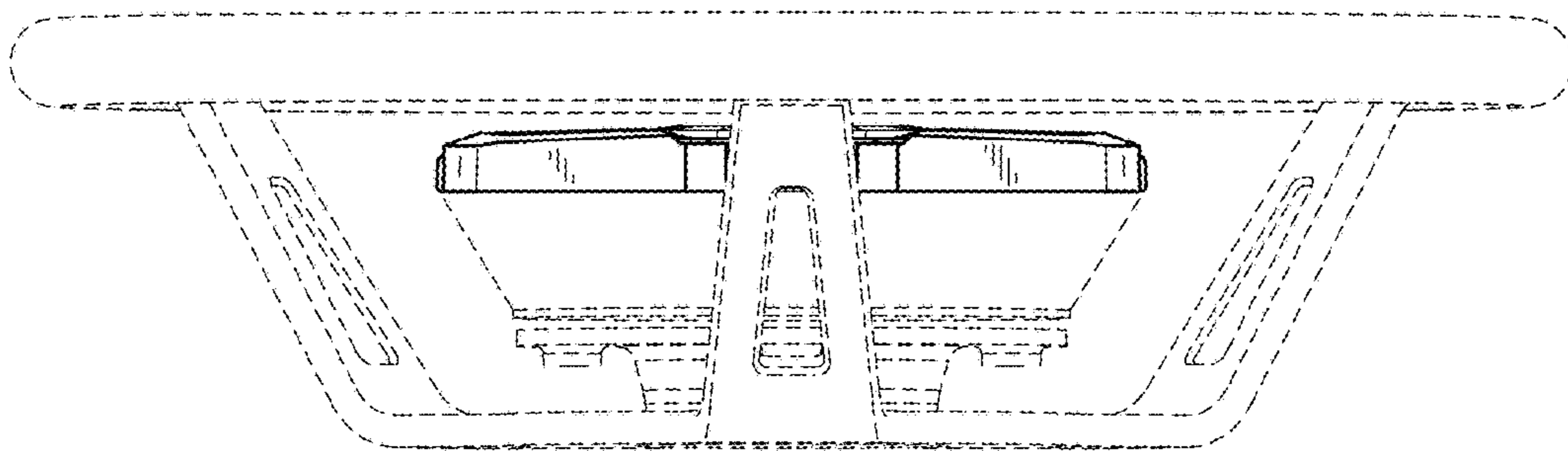


FIG. 7