



US00D824297S

(12) **United States Design Patent**
Janssen et al.

(10) **Patent No.:** **US D824,297 S**
(45) **Date of Patent:** **** Jul. 31, 2018**

(54) **FRONT PORTION OF A VEHICLE, TOY,
AND/OR REPLICAS THEREOF**

(71) Applicant: **Daimler AG**, Stuttgart (DE)

(72) Inventors: **Bertrand Janssen**, Boeblingen (DE);
Kai Sieber, Stuttgart (DE); **Gorden
Wagener**, Gaeufelden (DE)

(73) Assignee: **Daimler AG**, Stuttgart (DE)

(**) Term: **15 Years**

(21) Appl. No.: **29/617,443**

(22) Filed: **Sep. 14, 2017**

(30) **Foreign Application Priority Data**

Mar. 15, 2017 (WO) DM/095305

(51) **LOC (11) Cl.** **12-16**

(52) **U.S. Cl.**
USPC **D12/164**; D12/96

(58) **Field of Classification Search**
USPC D12/173, 196, 86, 90-92, 181, 96, 93,
D12/164; 180/69.21, 69.2, 69.22;
296/190.1-190.5, 190.8, 193.11, 37.6
CPC B62D 25/10; B62D 25/06; B62D 65/02;
B62D 25/12; B60Q 1/00
See application file for complete search history.

(56) **References Cited**

U.S. PATENT DOCUMENTS

D323,134 S * 1/1992 Lechner D12/96
D367,443 S * 2/1996 Sacco D12/96
D442,519 S * 5/2001 Sacco D12/93

D444,101 S * 6/2001 Pfeiffer D12/91
D472,186 S * 3/2003 Pfeiffer D12/91
D514,026 S * 1/2006 Pfeiffer D12/91
D549,616 S * 8/2007 Pfeiffer D12/96
D550,122 S 9/2007 Pfeiffer
D550,127 S * 9/2007 Pfeiffer D12/96
D722,287 S 2/2015 Janssen et al.
D731,362 S * 6/2015 Gorsten Schuenemann .. D12/91

* cited by examiner

Primary Examiner — Melody N Brown

(74) *Attorney, Agent, or Firm* — Crowell & Moring LLP

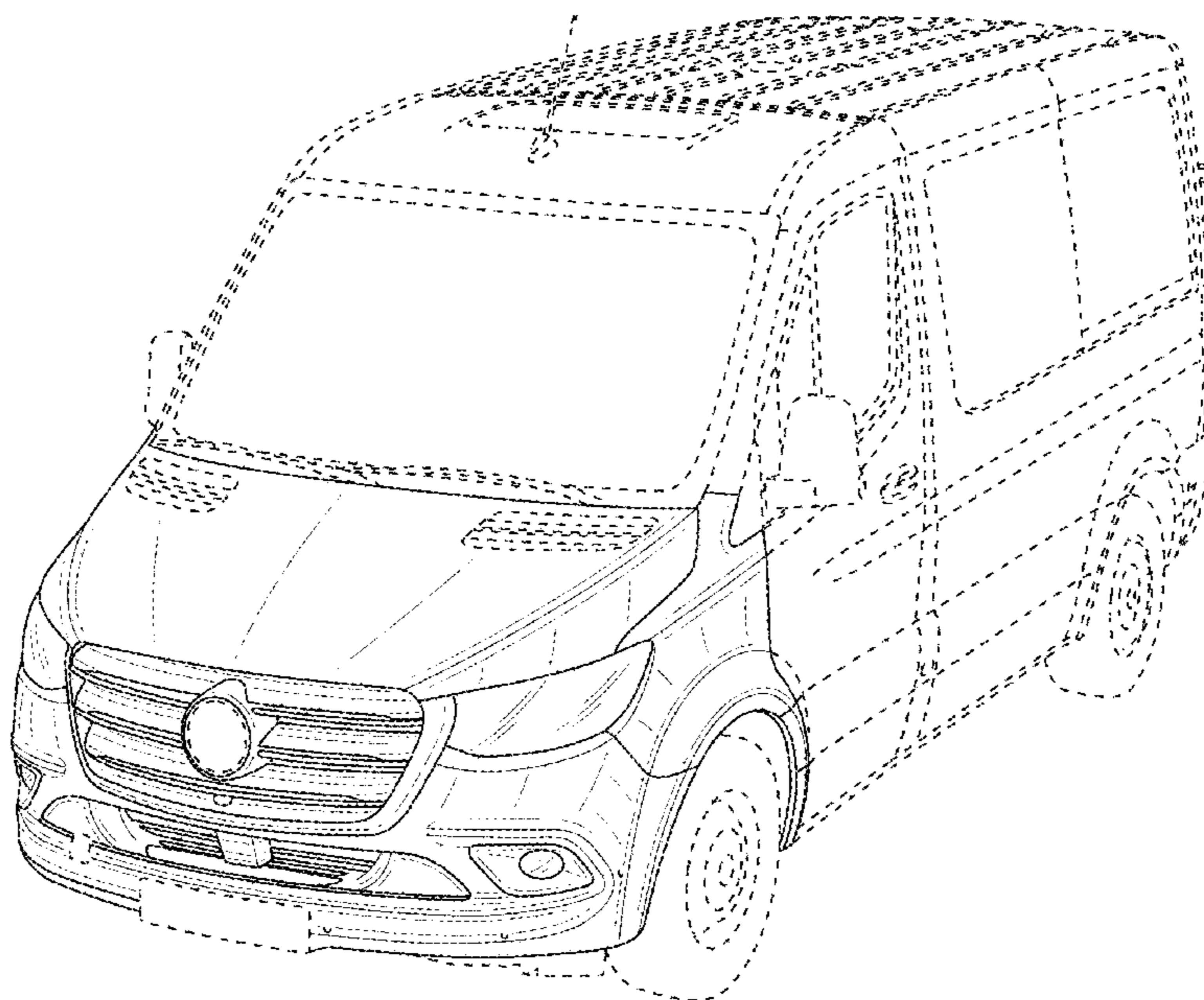
(57) **CLAIM**

The ornamental design for a front portion of a vehicle, toy,
and/or replicas thereof, as shown and described.

DESCRIPTION

This application contains subject matter related to the fol-
lowing co-pending U.S. design patent applications:
Application Ser. No. 29/617,439, filed herewith and entitled
“Vehicle, Toy, and/or Replicas Thereof”;
Application Ser. No. 29/617,440, filed herewith and entitled
“Vehicle, Toy, and/or Replicas Thereof”; and
Application Ser. No. 29/617,441, filed herewith and entitled
“Front Portion of a Vehicle, Toy, and/or Replicas Thereof”.
FIG. 1 is a left, front perspective view of a front portion of
a vehicle, toy, and/or replicas thereof according to the
design;
FIG. 2 is a front view thereof;
FIG. 3 is a left side view thereof;
FIG. 4 is a right side view thereof; and,
FIG. 5 is a top view thereof.
The broken lines in the drawings illustrate environmental
subject matter only and form no part of the claimed design.

1 Claim, 5 Drawing Sheets



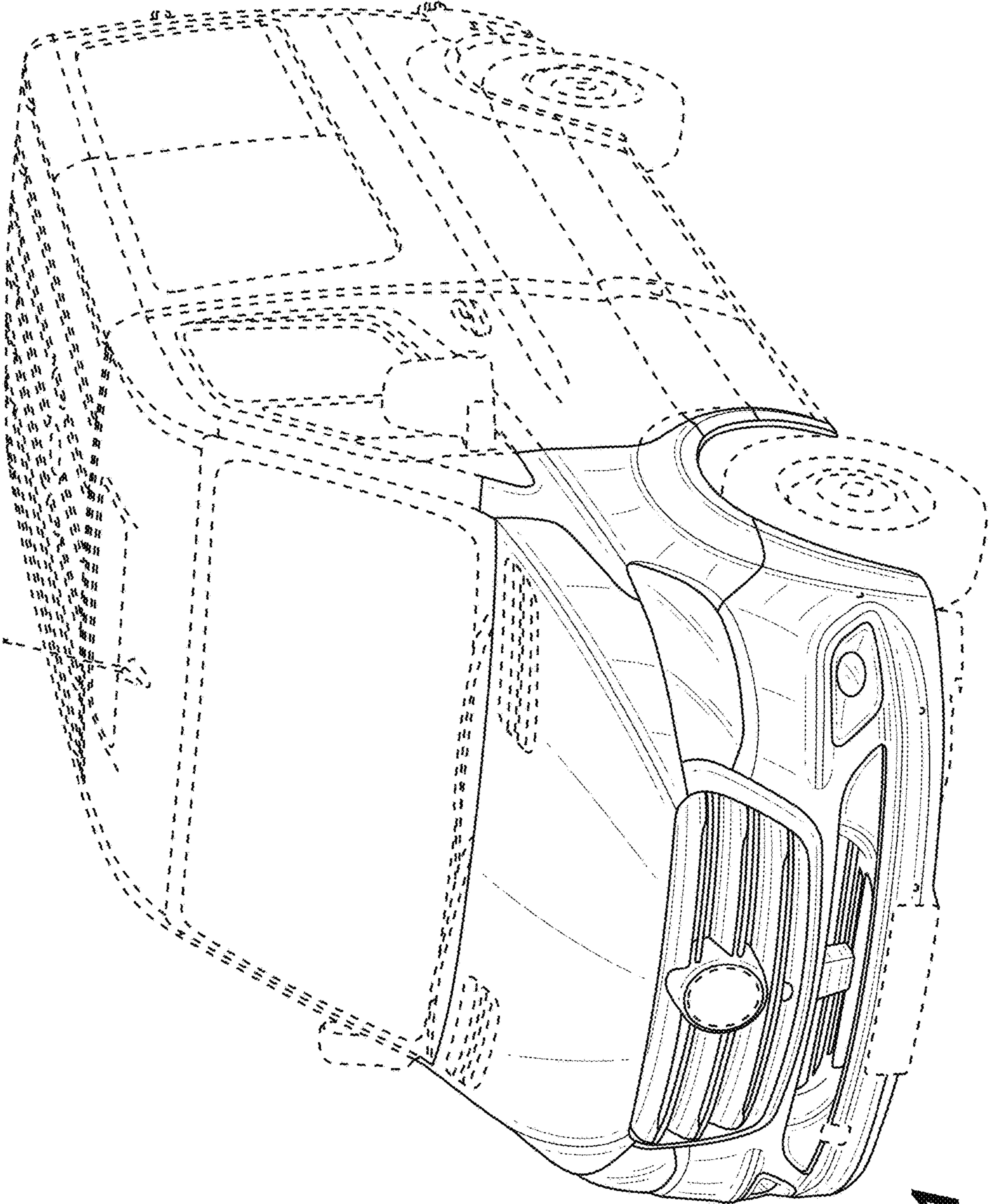


FIG. 1

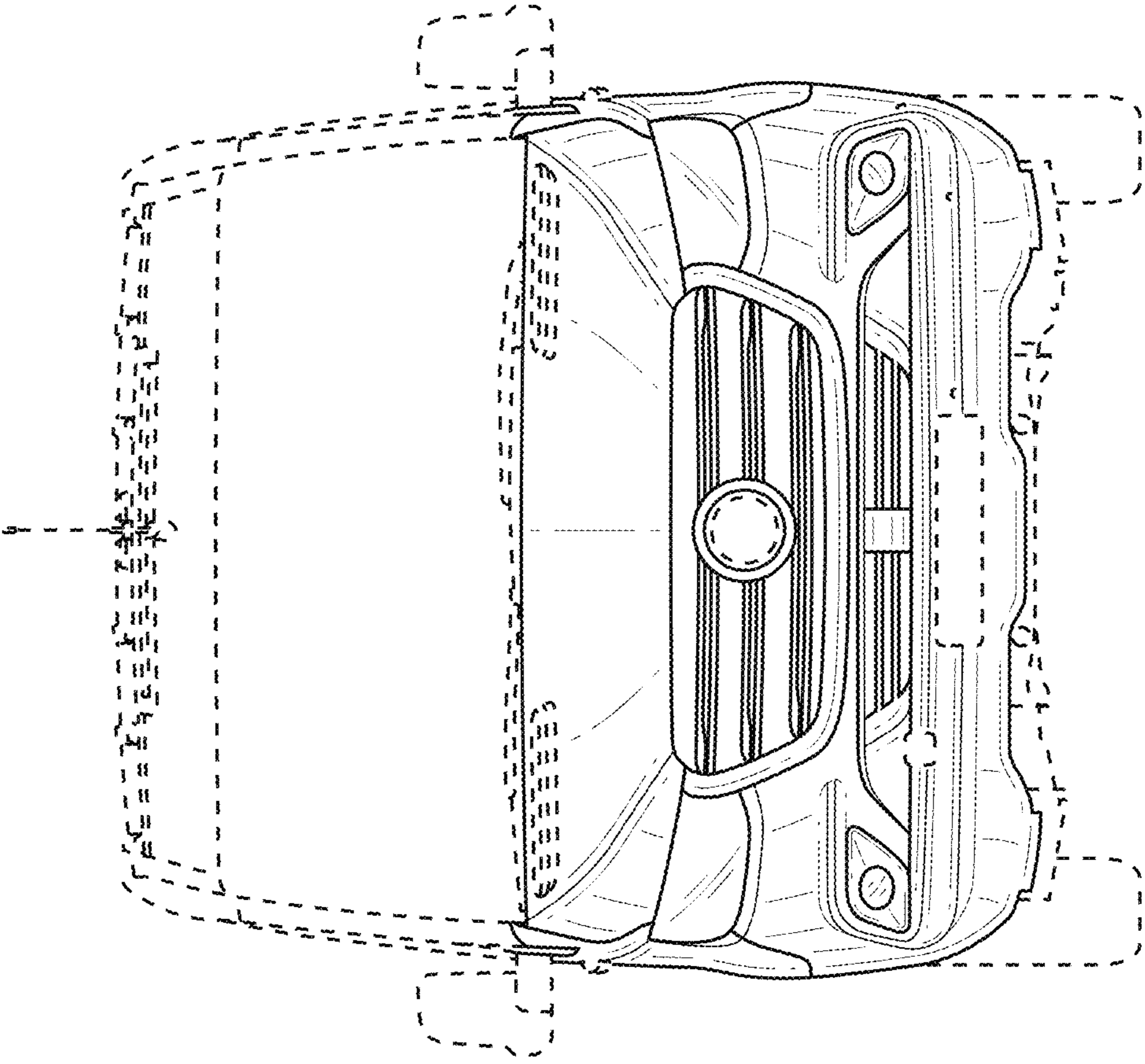


FIG. 2

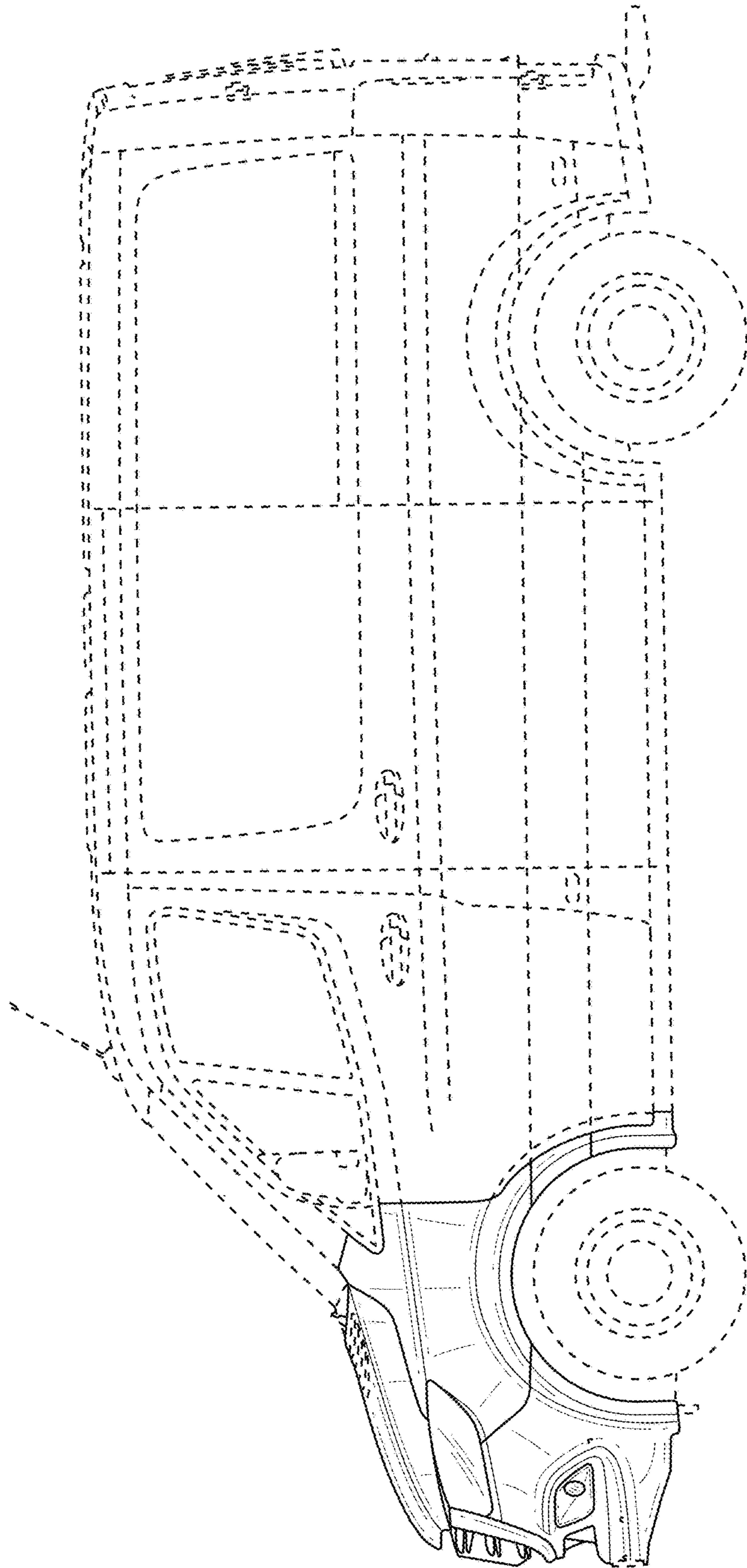


FIG. 3

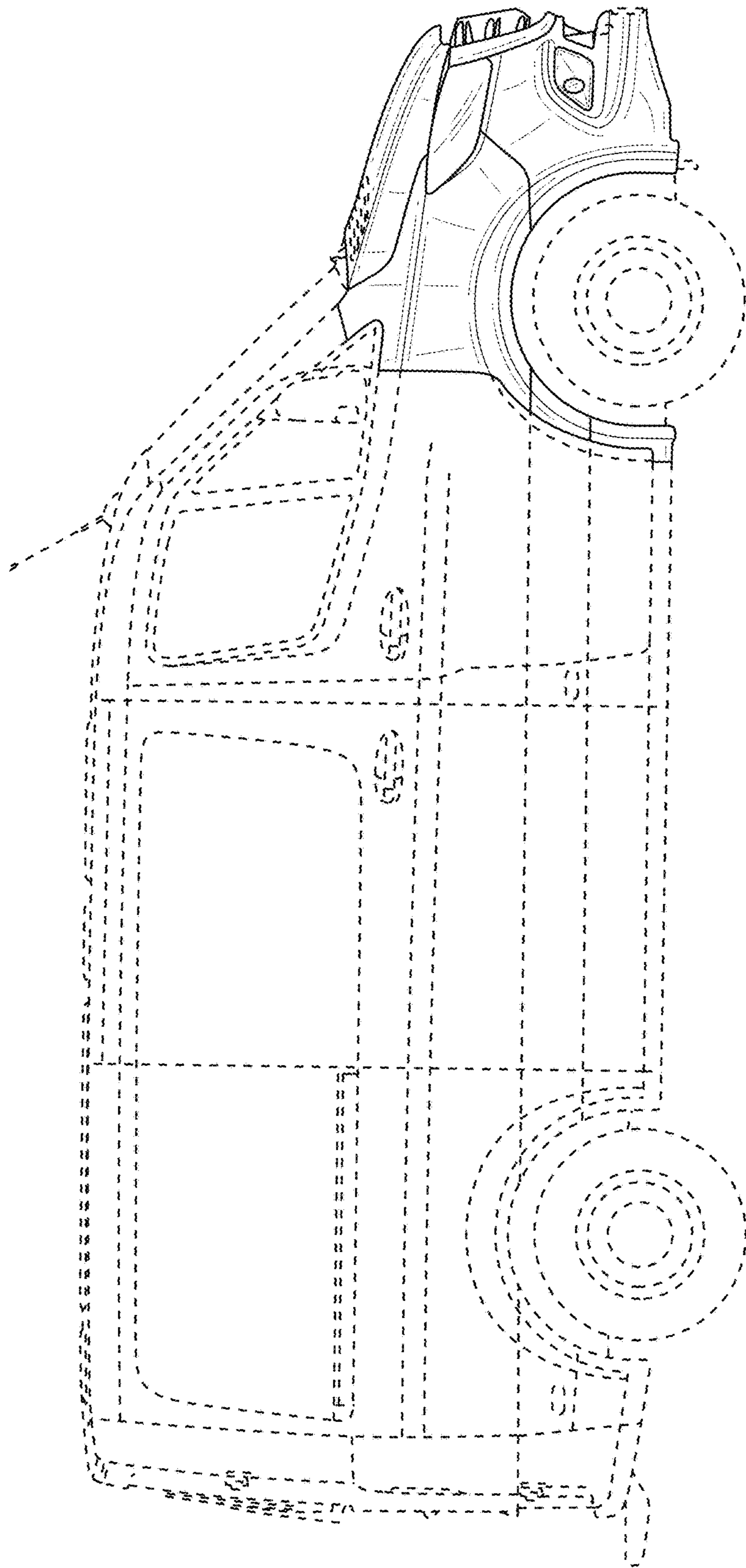


FIG. 4

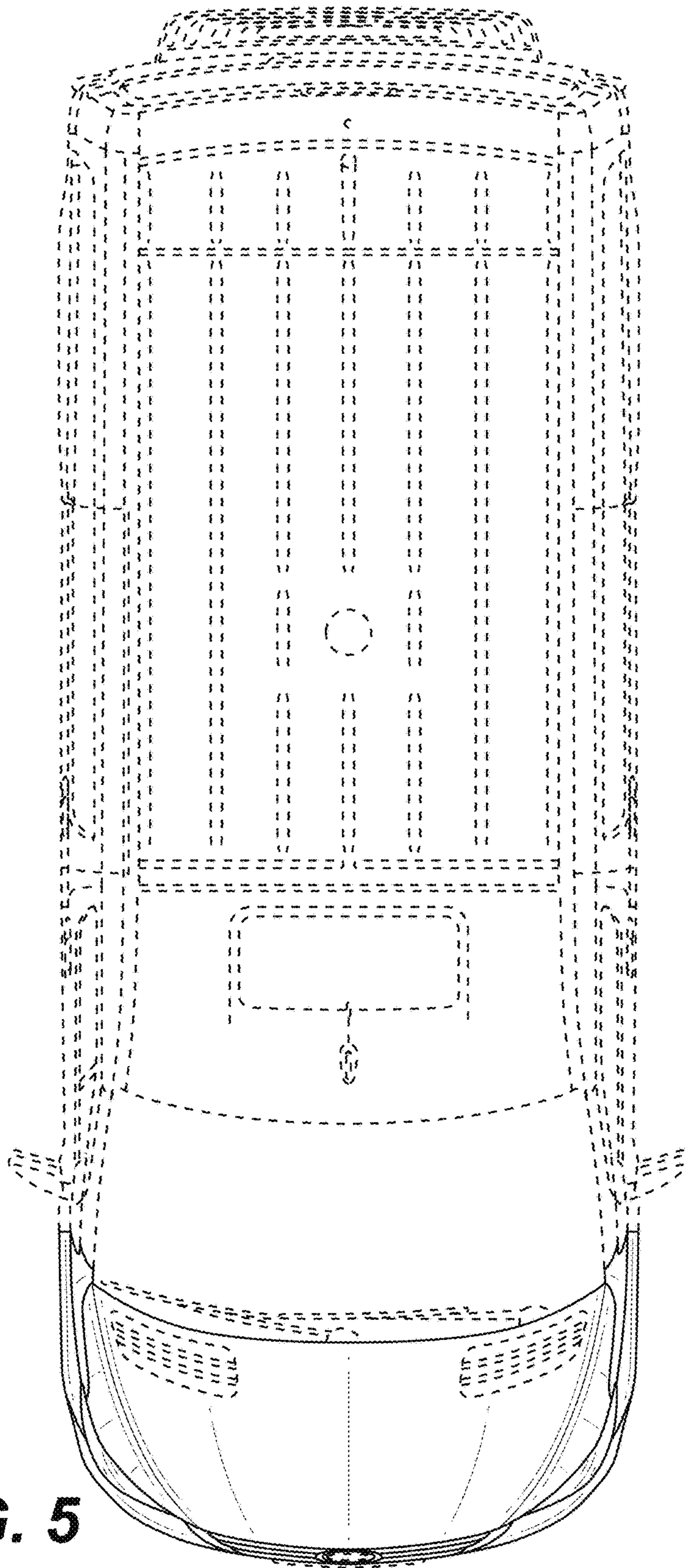


FIG. 5