



US00D824293S

(12) **United States Design Patent** (10) **Patent No.:** **US D824,293 S**  
**Woodhouse et al.** (45) **Date of Patent:** **\*\* Jul. 31, 2018**

(54) **VEHICLE FRONT UPPER GRILLE**

(71) Applicant: **Ford Global Technologies, LLC**,  
Dearborn, MI (US)

(72) Inventors: **David Woodhouse**, Troy, MI (US);  
**Earl Lucas**, Southfield, MI (US);  
**Jaewoo Chang**, Novi, MI (US);  
**Nonthawat Kongsari**, Melbourne (AU)

(73) Assignee: **Ford Global Technologies, LLC**,  
Dearborn, MI (US)

(\*\*) Term: **15 Years**

(21) Appl. No.: **29/597,055**

(22) Filed: **Mar. 14, 2017**

(51) **LOC (11) Cl.** ..... **12-16**

(52) **U.S. Cl.**  
USPC ..... **D12/163**

(58) **Field of Classification Search**  
USPC .... D12/86, 91, 93, 163, 164, 166, 167, 169,  
D12/171, 172, 173, 190, 216  
CPC ..... B62D 25/08; B62B 9/16; B60K 11/08;  
B60R 19/52  
See application file for complete search history.

(56) **References Cited**

**U.S. PATENT DOCUMENTS**

D496,890 S	*	10/2004	Metros	.....	D12/163
D533,119 S		12/2006	Schiavone et al.		
D668,590 S	*	10/2012	Furst	.....	D12/163
D721,019 S	*	1/2015	Pevovar	.....	D12/163
D725,555 S		3/2015	Wolff et al.		

D741,377 S	*	10/2015	Werner	.....	D15/31
D769,160 S	*	10/2016	Platto	.....	D12/163
D781,188 S	*	3/2017	Wolff	.....	D12/163
D789,841 S	*	6/2017	Malczewski	.....	D12/163
D790,412 S	*	6/2017	Dunford	.....	D12/163
D790,413 S	*	6/2017	Doyle	.....	D12/164
D793,918 S	*	8/2017	Kozub	.....	D12/163
D794,517 S	*	8/2017	Woolley	.....	D12/163
D807,238 S	*	1/2018	Komuro	.....	D12/163

\* cited by examiner

*Primary Examiner* — Susan Bennett Hattan

*Assistant Examiner* — Suzanne E Tisdell

(74) *Attorney, Agent, or Firm* — James Dottavio

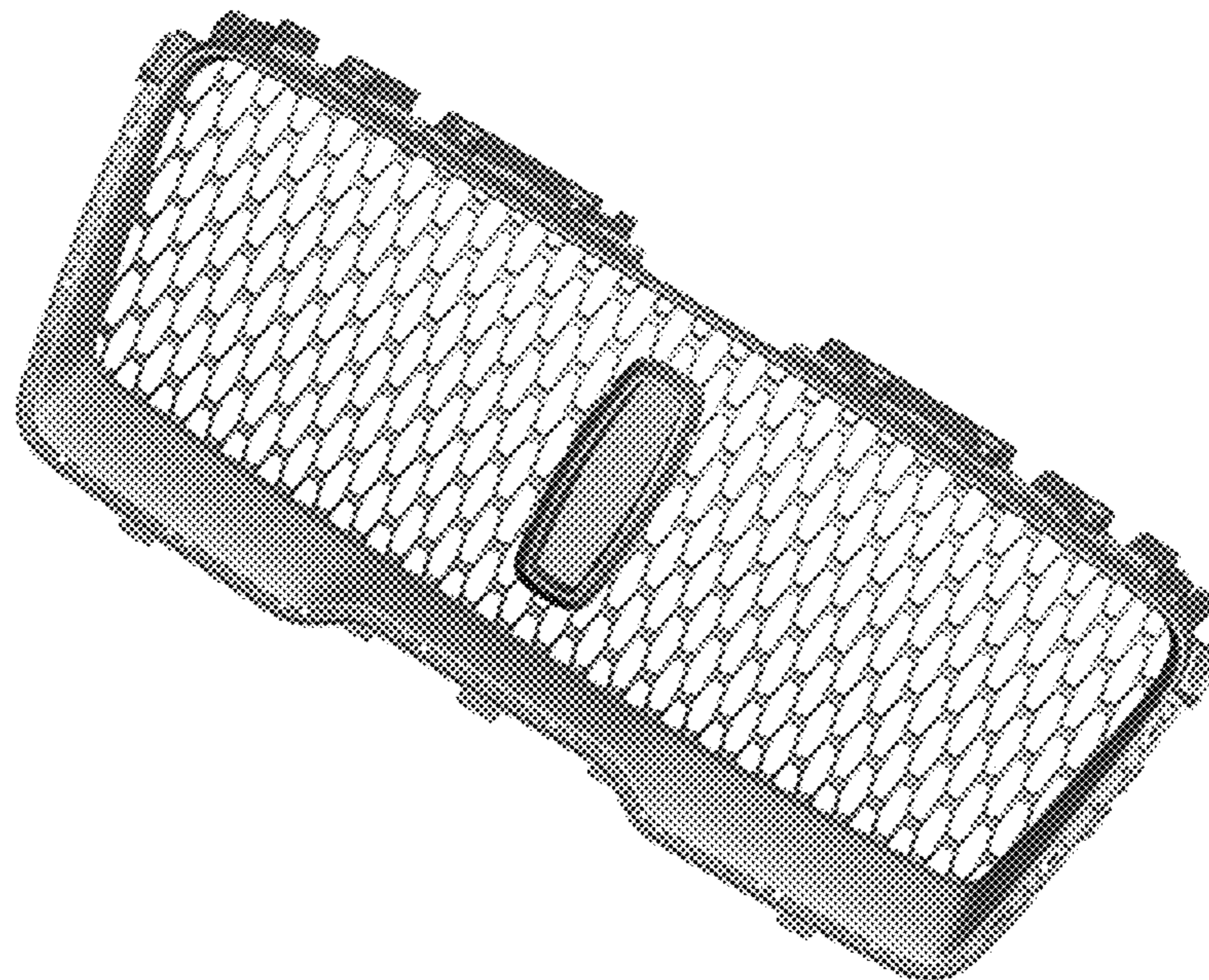
(57) **CLAIM**

The ornamental design for a vehicle front upper grille, as shown.

**DESCRIPTION**

FIG. 1 is a top and front perspective view of a vehicle front upper grille, showing our new design;  
 FIG. 2 is a bottom and front and left perspective view thereof;  
 FIG. 3 is a top, rear and left perspective view thereof;  
 FIG. 4 is a front elevational view thereof;  
 FIG. 5 is a rear elevational view thereof;  
 FIG. 6 is a left side elevational view thereof;  
 FIG. 7 is a right side elevational view thereof;  
 FIG. 8 is a top plan view thereof; and,  
 FIG. 9 is a bottom plan view thereof.

**1 Claim, 9 Drawing Sheets**



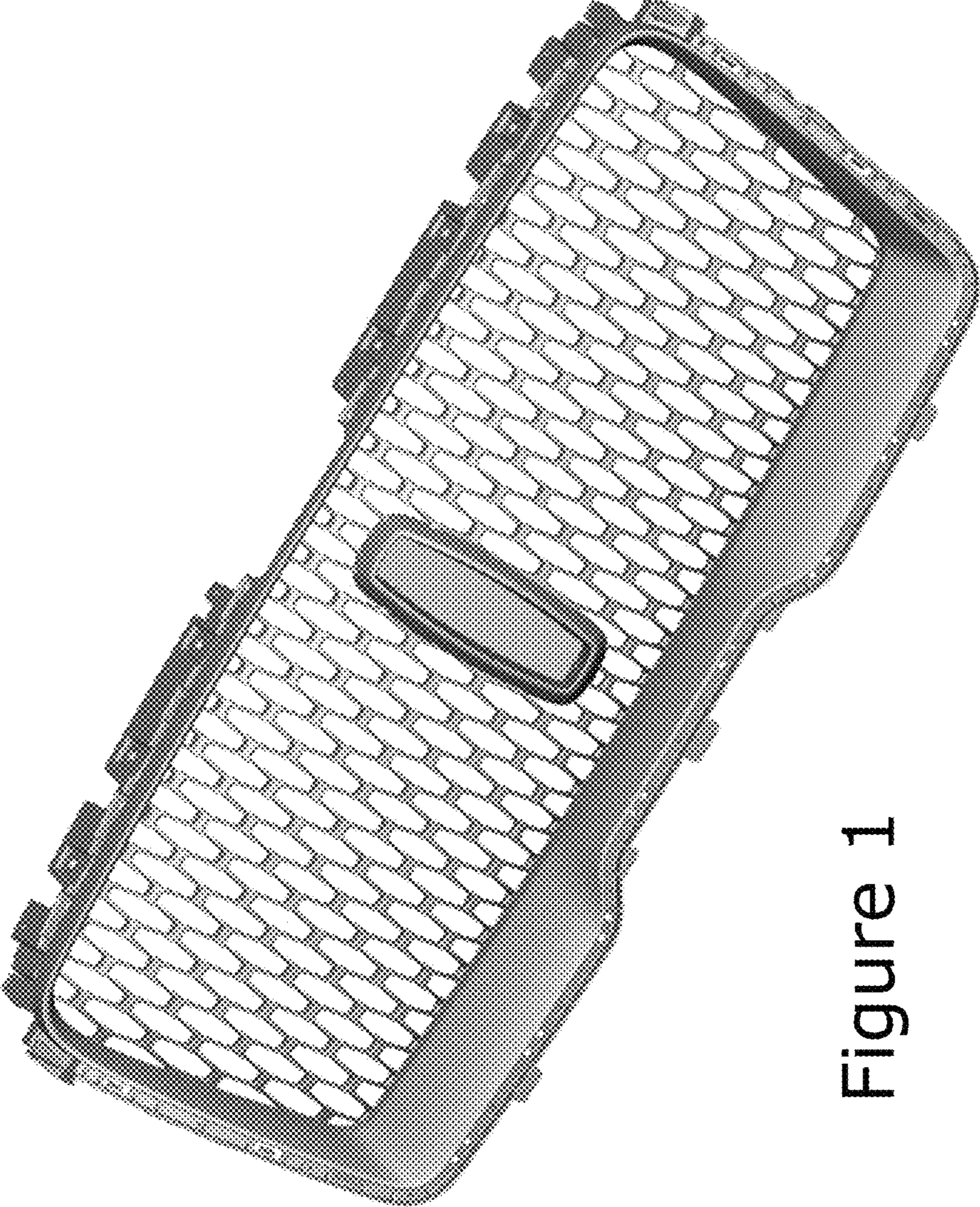


Figure 1

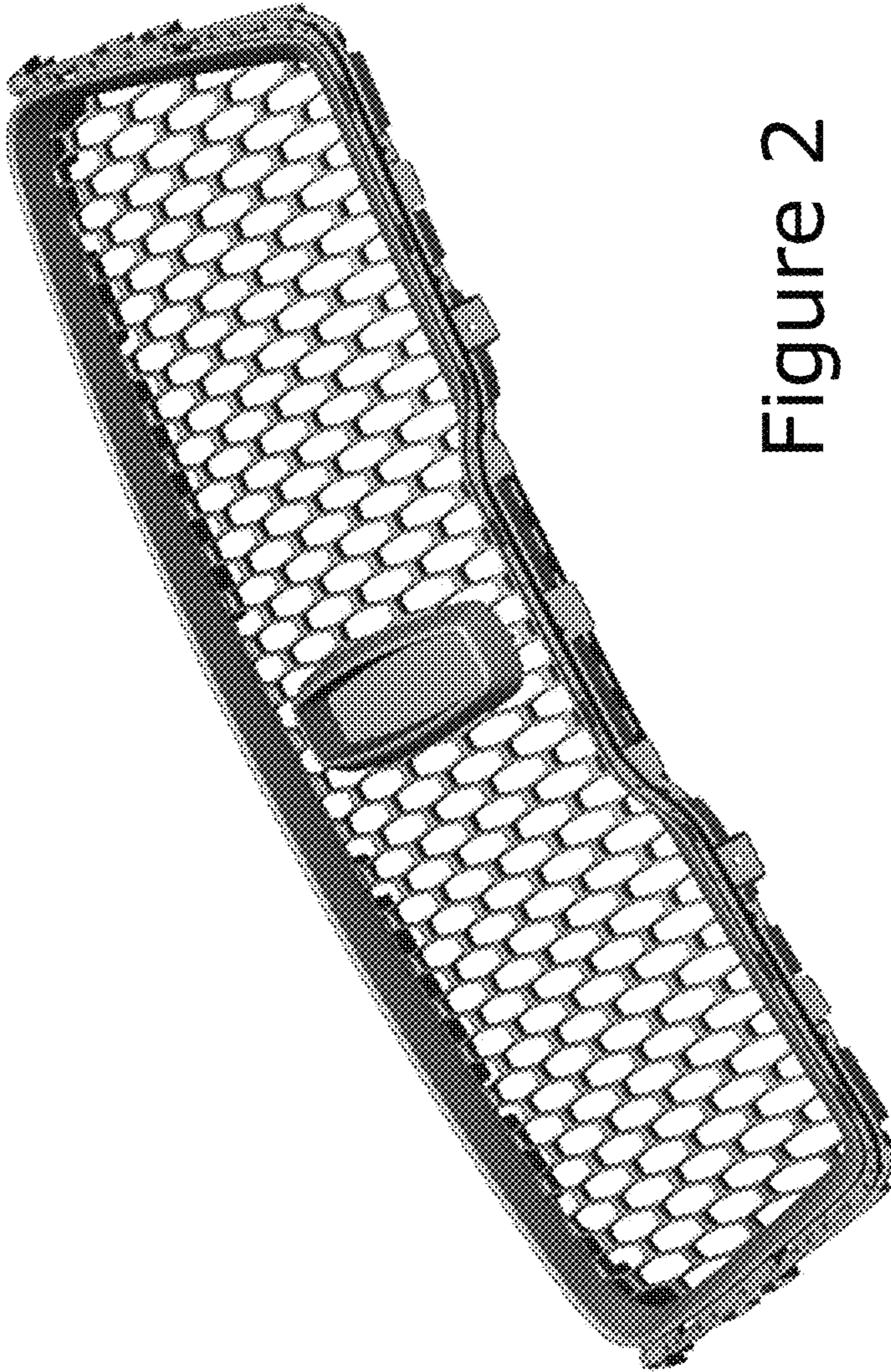


Figure 2

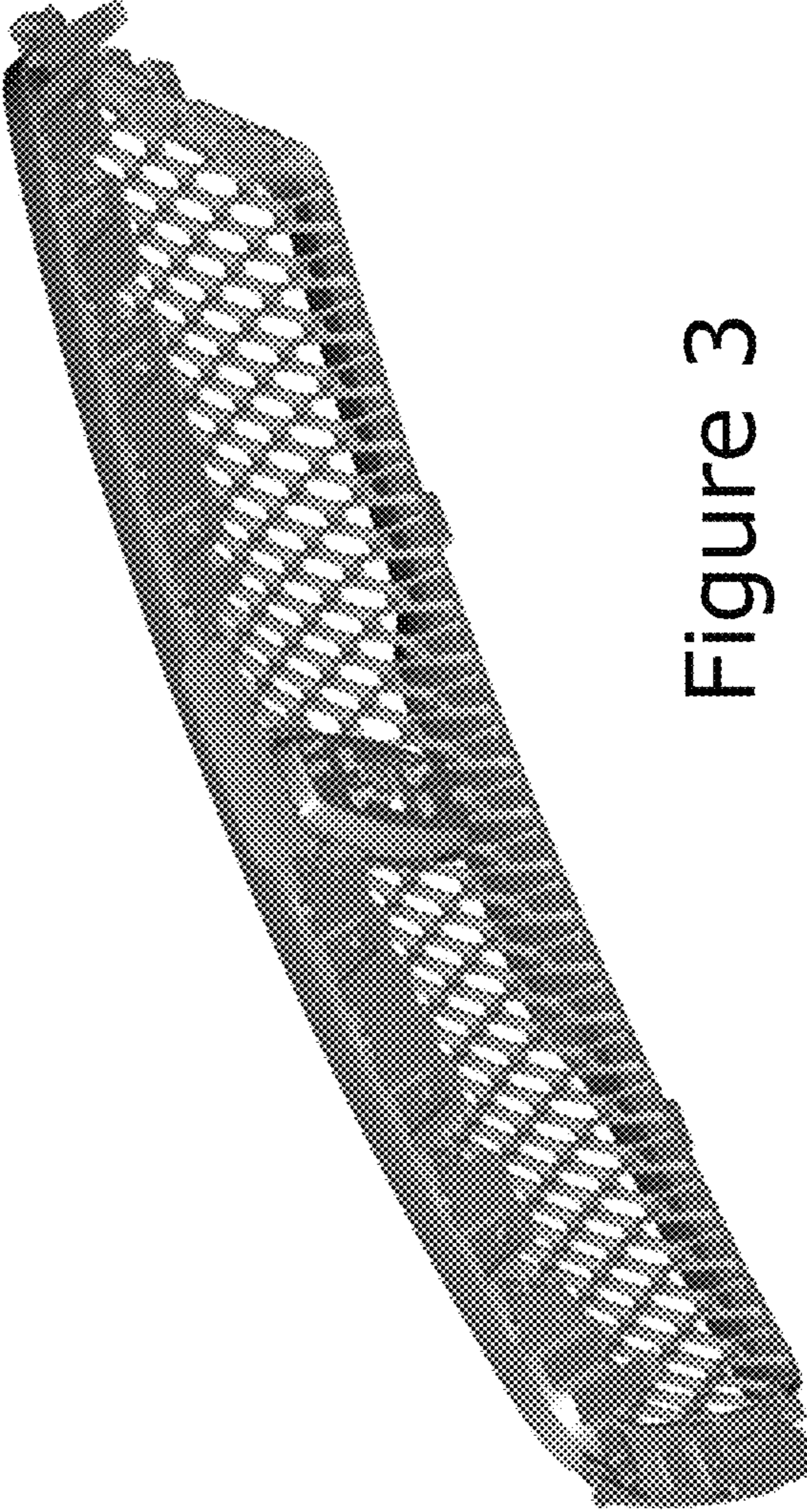


Figure 3

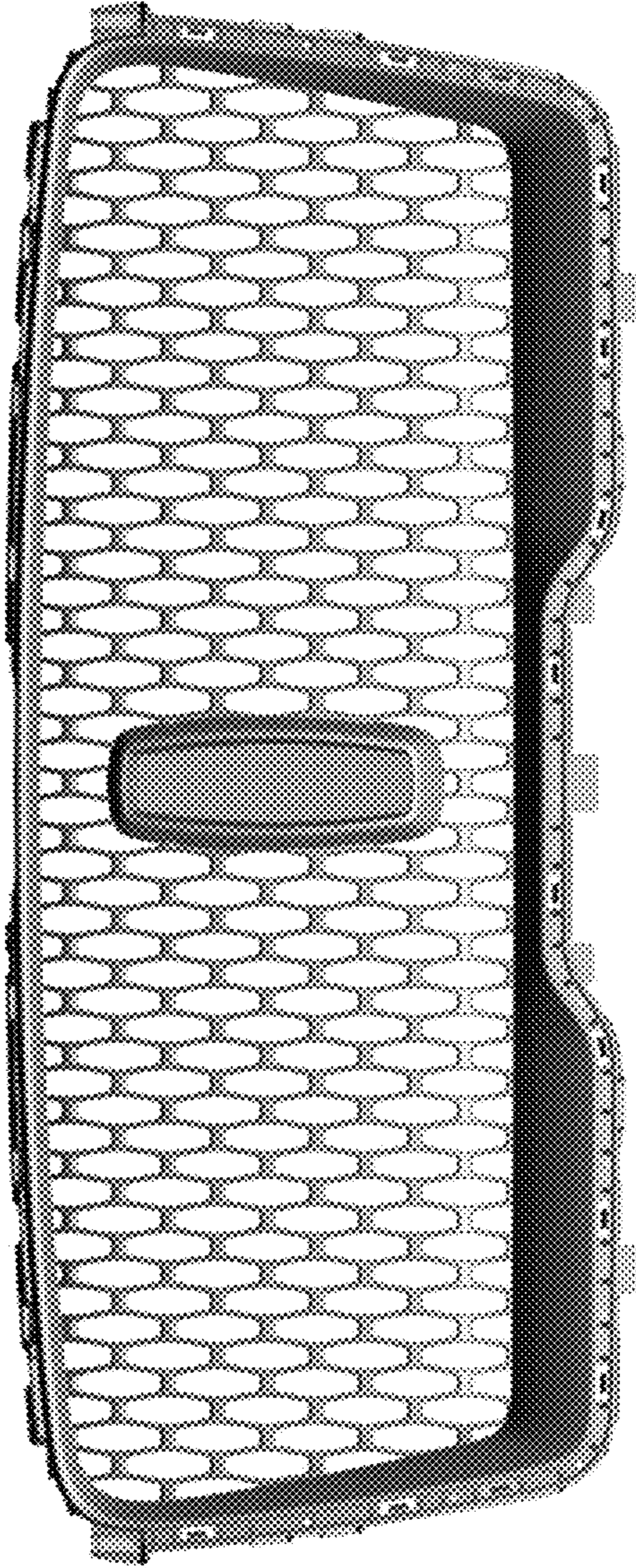


Figure 4

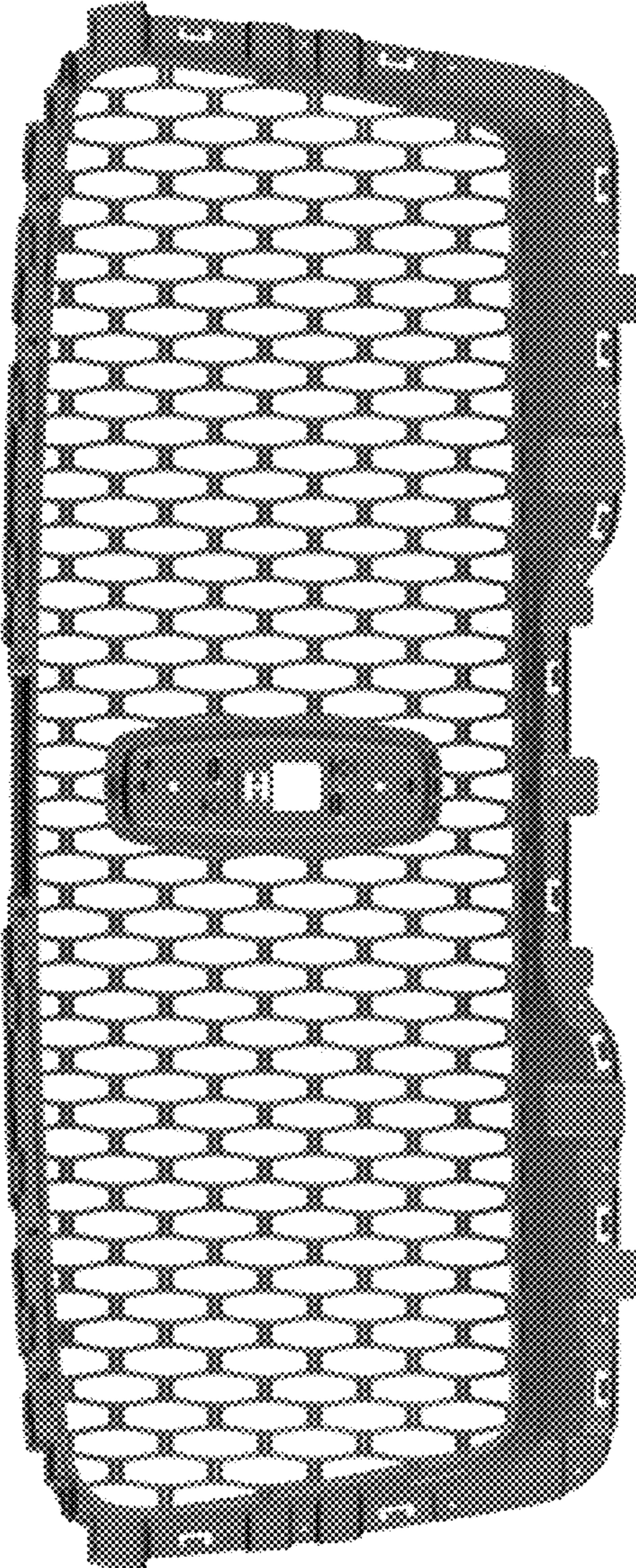


Figure 5

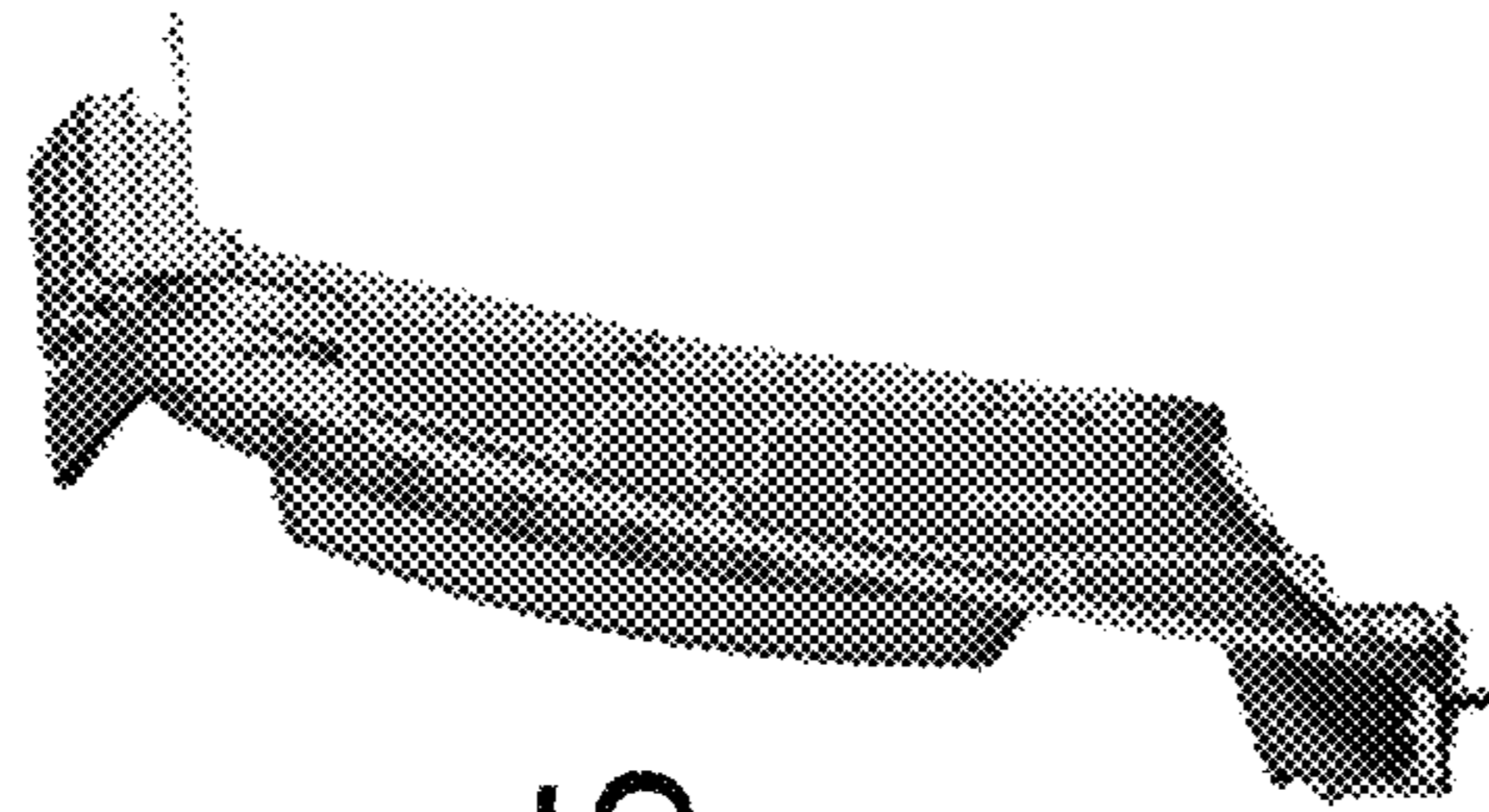


Figure 6

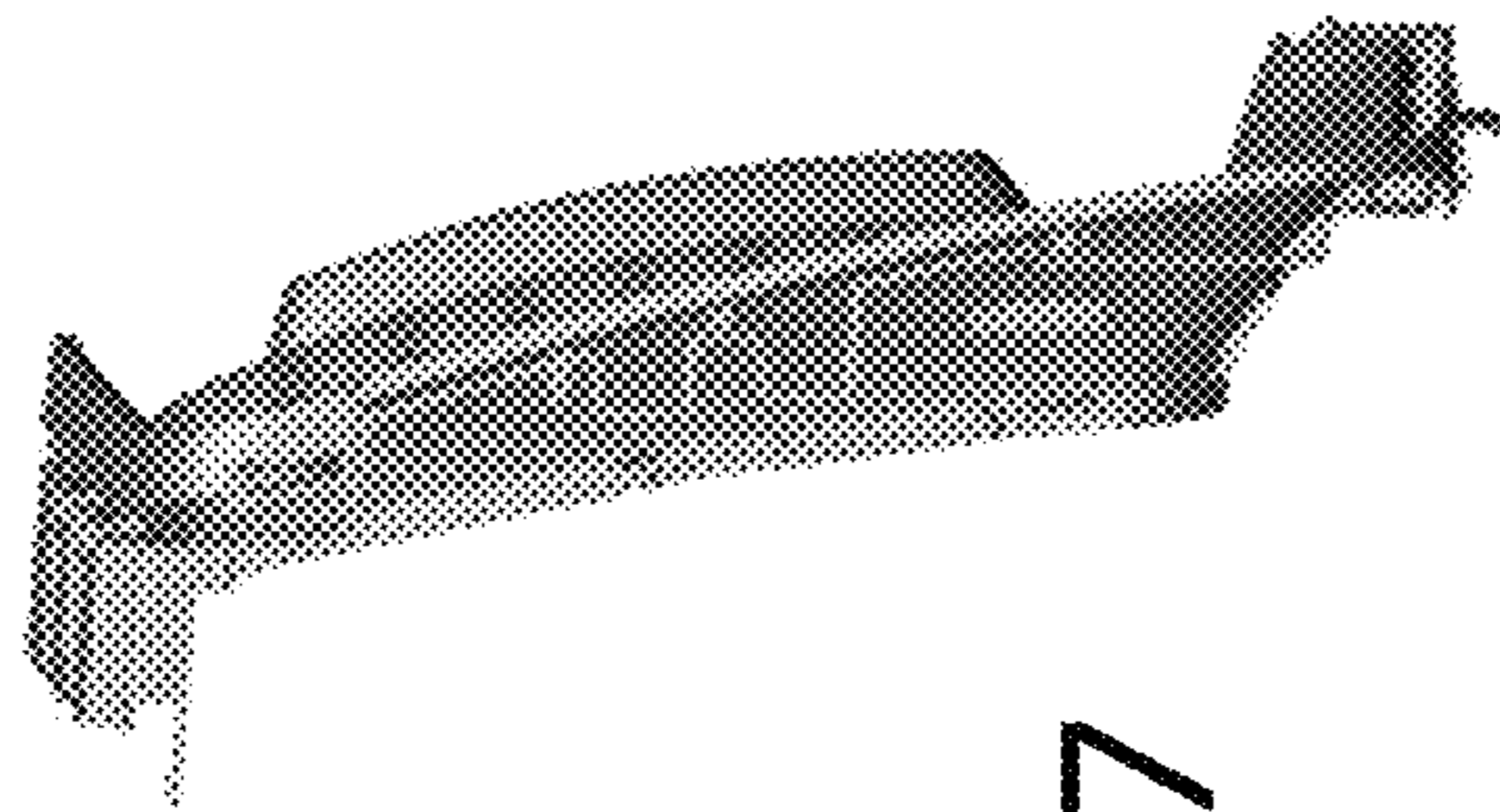


Figure 7



Figure 8

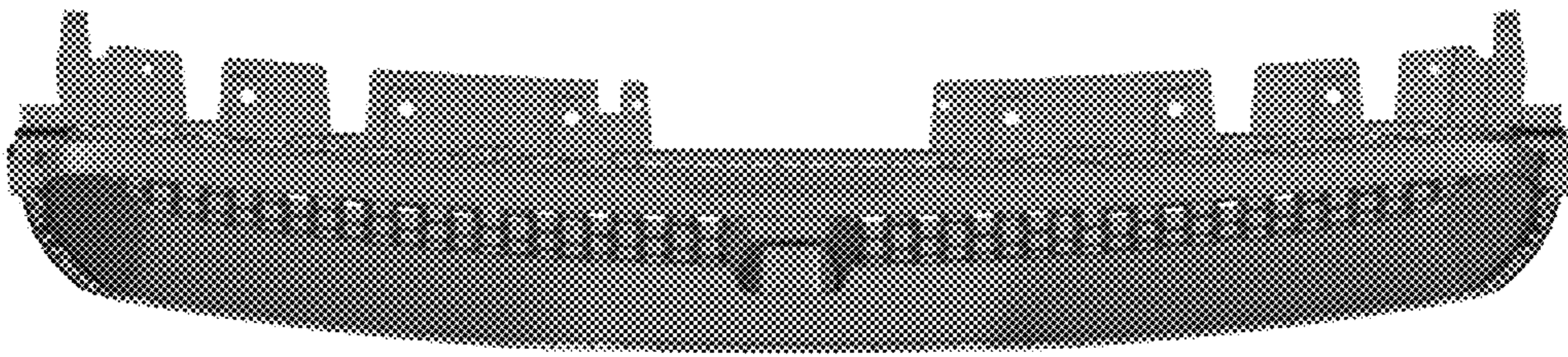


Figure 9

