



US00D824292S

(12) **United States Design Patent**
Surbeck et al.

(10) **Patent No.:** **US D824,292 S**
(45) **Date of Patent:** **** Jul. 31, 2018**

- (54) **WHEELCHAIR**
- (71) Applicant: **OTTO BOCK MOBILITY SOLUTIONS GMBH**,
Königsee-Rottenbach (DE)
- (72) Inventors: **Alfred Surbeck**, Uster (CH); **Michael Zeller**, Wetzikon (CH)
- (73) Assignee: **OTTO BOCK MOBILITY SOLUTIONS GMBH**,
Konigsee-Rottenbach (DE)

D462,639 S *	9/2002	Lin	D12/131
D475,952 S *	6/2003	Nelson	D12/131
D494,110 S *	8/2004	Cheng	D12/131
D503,364 S *	3/2005	Miura	D12/131
D530,650 S *	10/2006	Azuma	D12/131
D556,647 S *	12/2007	Yamagishi	D12/131
D561,651 S *	2/2008	Yamagishi	D12/131
D585,794 S *	2/2009	Lin	D12/131
D604,208 S *	11/2009	Perk	D12/131
D621,307 S *	8/2010	Kagi	D12/131
D627,270 S *	11/2010	Kretschmer	D12/131
D647,426 S *	10/2011	Ward	D12/1
D673,083 S *	12/2012	Daff	D12/133

(Continued)

- (**) Term: **15 Years**
- (21) Appl. No.: **35/502,072**
- (22) Filed: **Jul. 25, 2016**

Primary Examiner — Darlington Ly
(74) *Attorney, Agent, or Firm* — Holland & Hart LLP

- (80) **Hague Agreement Data**
- Int. Filing Date: **Jul. 25, 2016**
- Int. Reg. No.: **DM/093672**
- Int. Reg. Date: **Jul. 25, 2016**
- Int. Reg. Pub. Date: **Dec. 9, 2016**

(57) **CLAIM**

The ornamental design for a wheelchair, as shown and described.

(30) **Foreign Application Priority Data**

Jan. 25, 2016 (EM) 002957845

- (51) **LOC (11) Cl.** **12-12**
- (52) **U.S. Cl.**
- USPC **D12/131**

- (58) **Field of Classification Search**
- USPC D12/128–133
- CPC . A61G 5/00–5/14; A61G 5/041–5/047; A61G 2005/048
- See application file for complete search history.

DESCRIPTION

1. Wheelchairs

1.1 is a front and left side perspective view of a wheelchair showing our new design in its standing seat configuration;

1.2 is a left side elevation view thereof;

1.3 is a bottom plan view thereof;

1.4 is a front elevation view thereof;

1.5 is a top plan view thereof;

1.6 is a rear elevation view thereof;

1.7 is a right side elevation view thereof;

1.8 is a front and left side perspective view thereof in its seated configuration;

1.9 is a left side elevation view thereof;

1.10 is a bottom plan view thereof;

1.11 is a front elevation view thereof;

1.12 is a top plan view thereof;

1.13 is a rear elevation view thereof; and

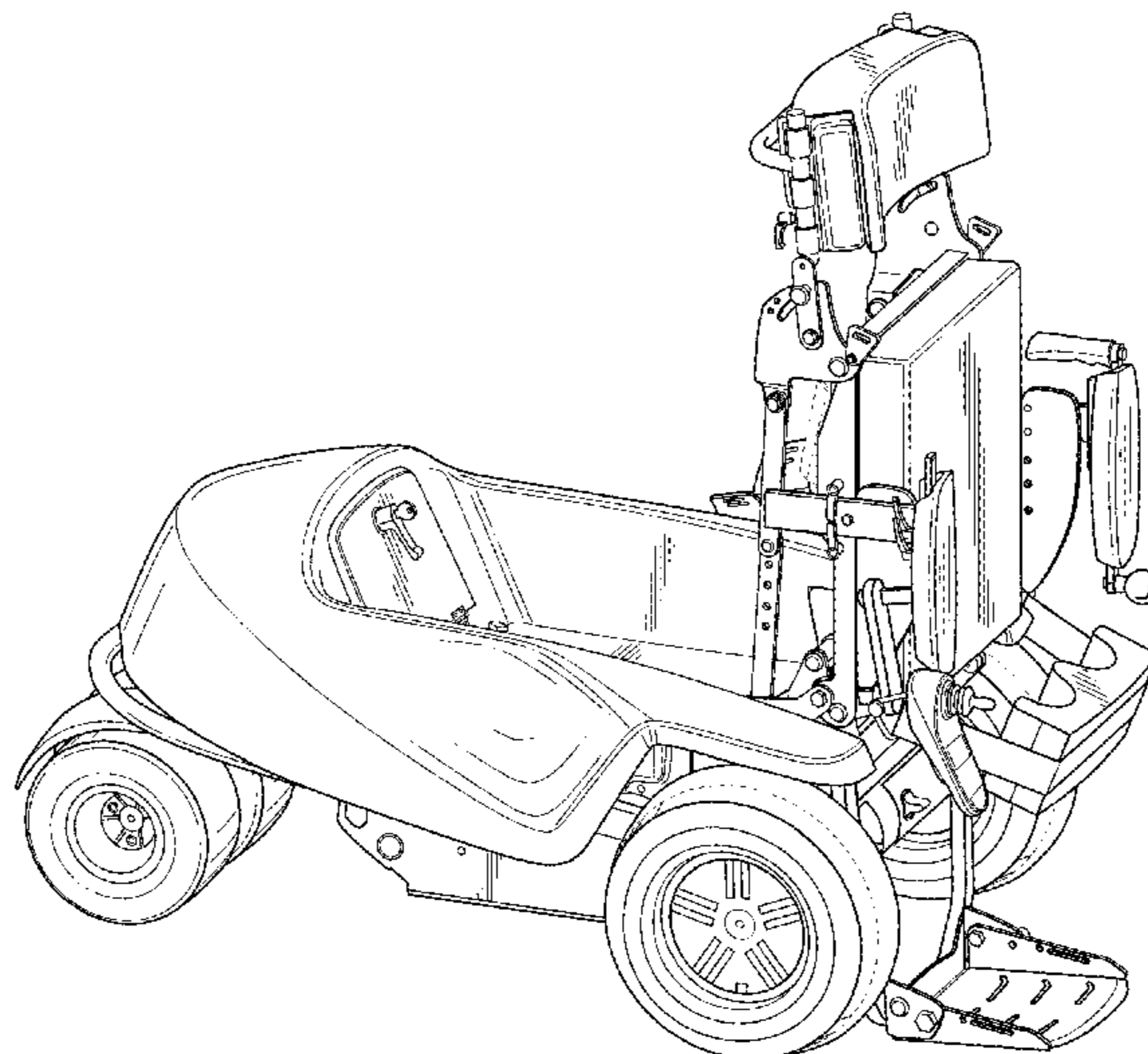
1.14 is a right side elevation view thereof.

The broken lines in the reproductions illustrate portions of the wheelchair that form no part of the claimed design.

- (56) **References Cited**
- U.S. PATENT DOCUMENTS

D413,554 S *	9/1999	Schlangen	D12/131
D443,563 S *	6/2001	Johnson	D12/131

1 Claim, 14 Drawing Sheets



(56)

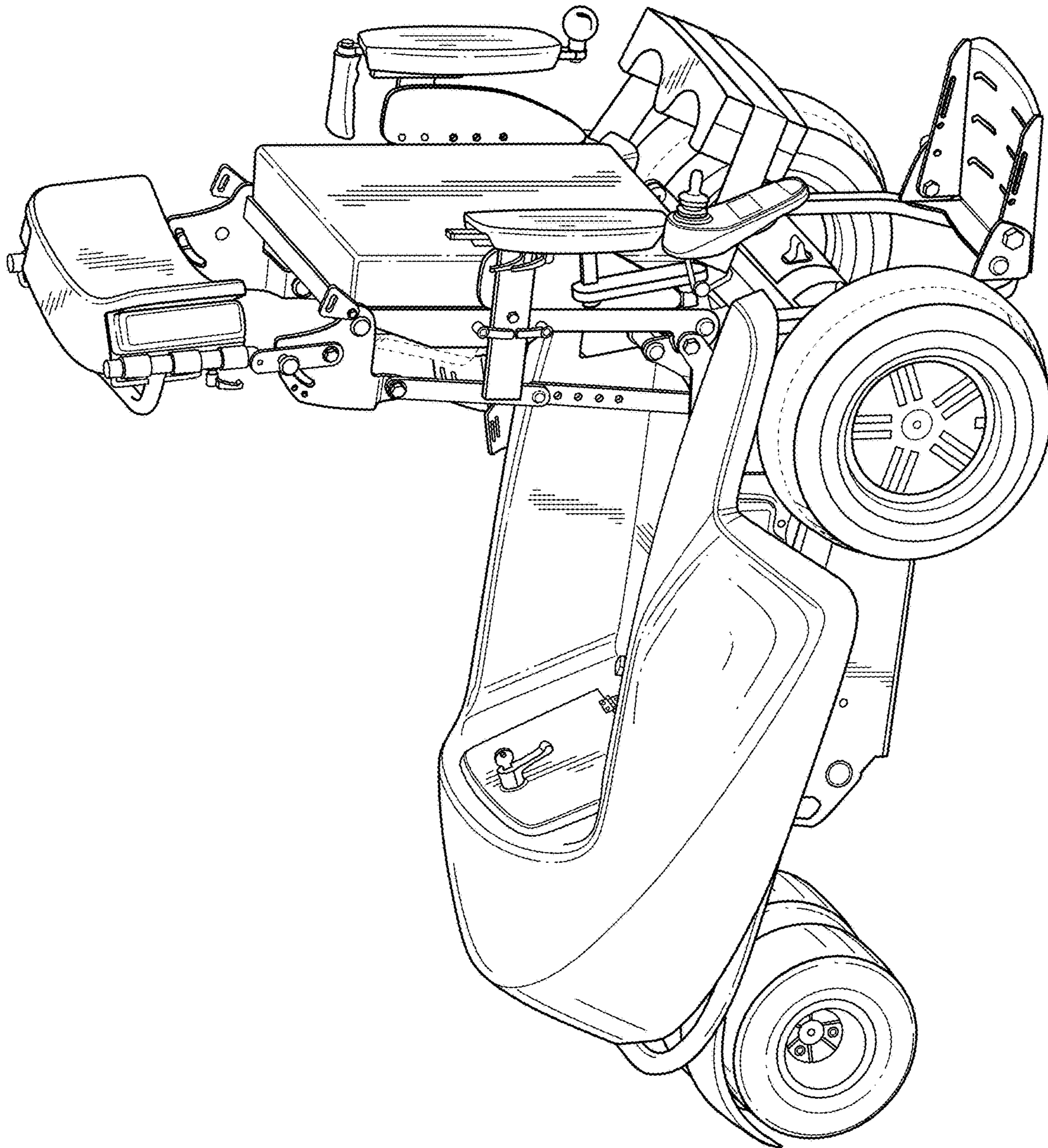
References Cited

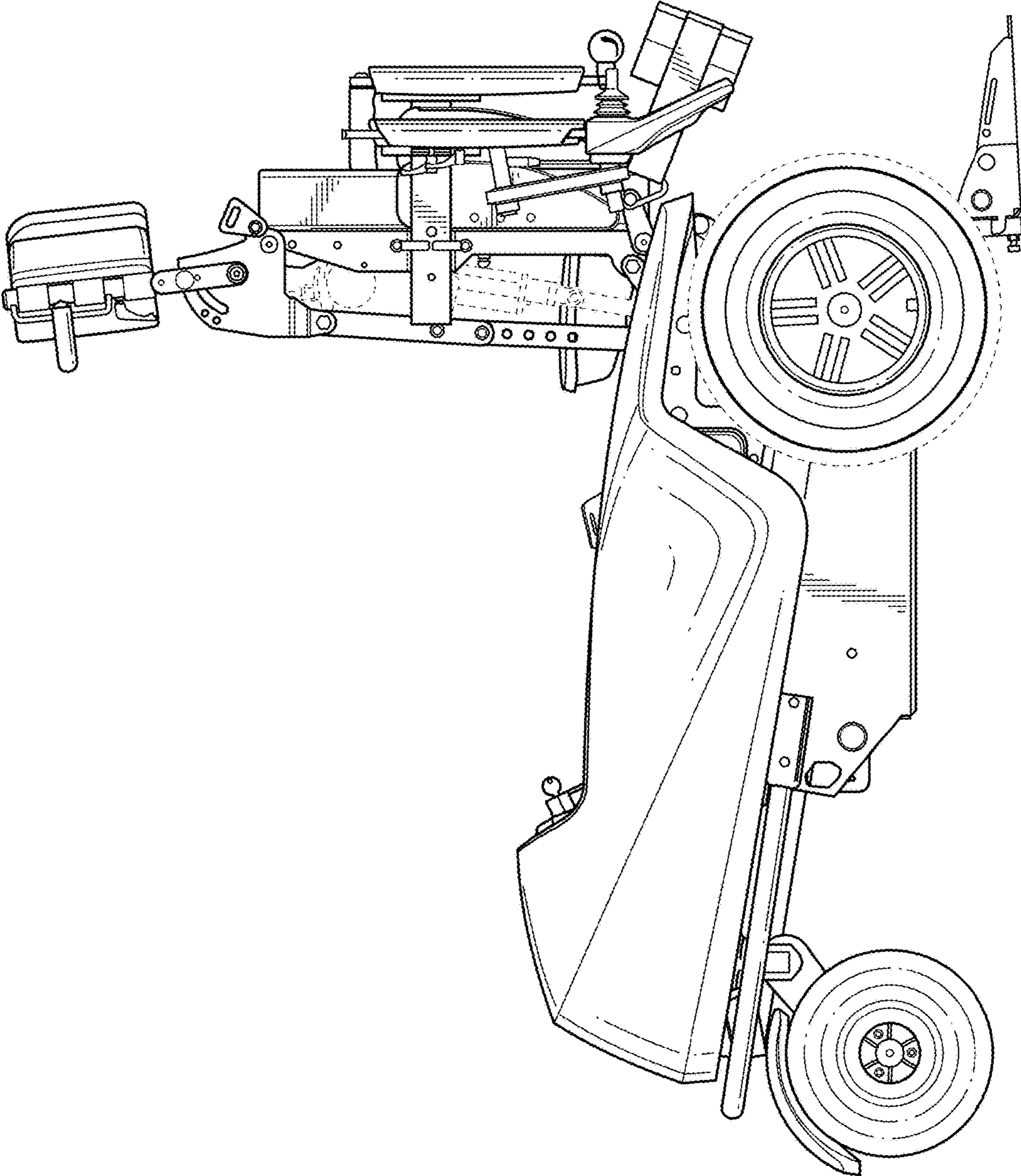
U.S. PATENT DOCUMENTS

D745,441 S * 12/2015 Ohruh D12/131
D770,331 S * 11/2016 Gabriely D12/131
D786,740 S * 5/2017 Abe D12/128
D788,652 S * 6/2017 Mutsuro D12/131
D793,289 S * 8/2017 Jahkel D12/128
9,770,376 B2 * 9/2017 Robins A61G 5/041

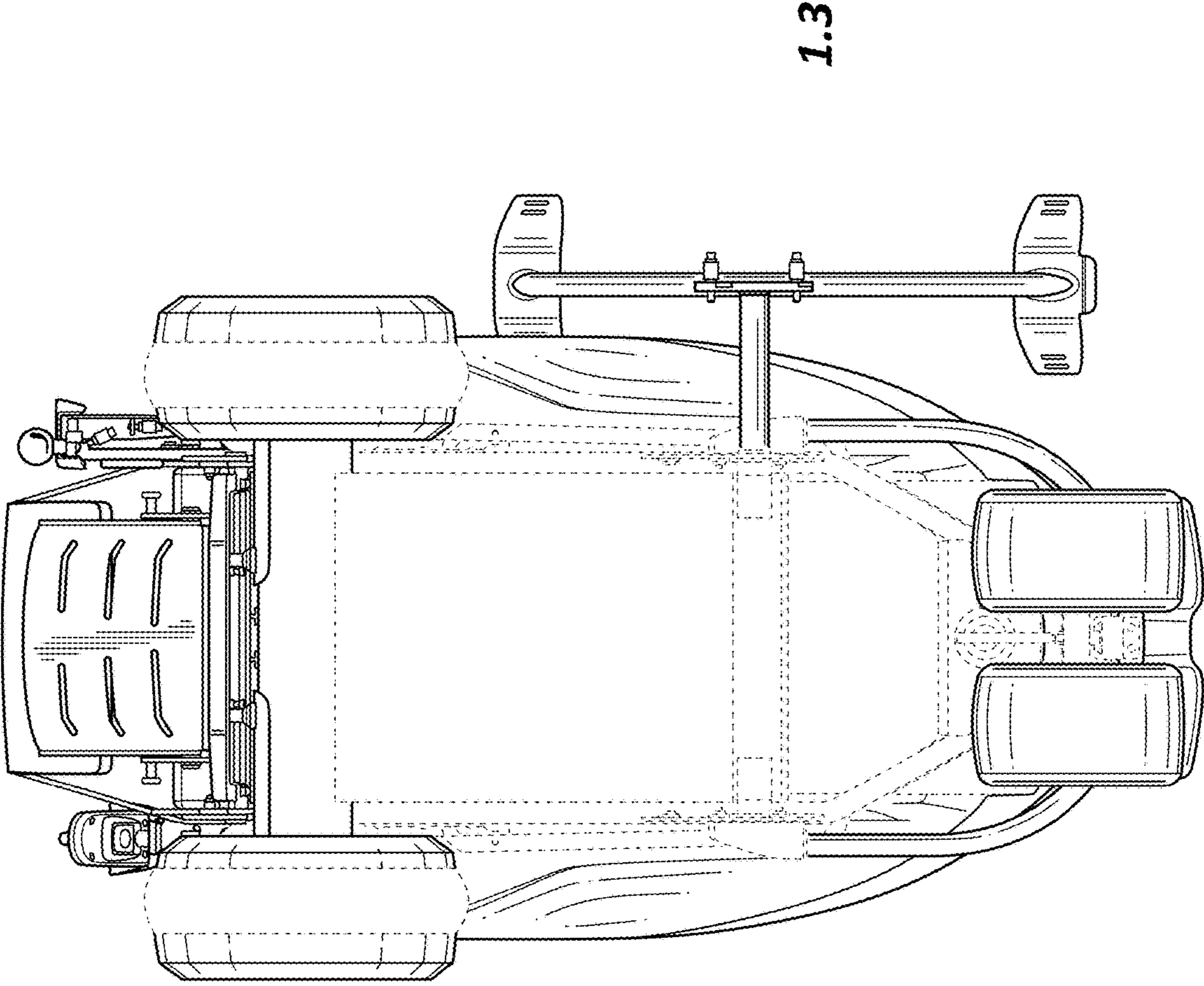
* cited by examiner

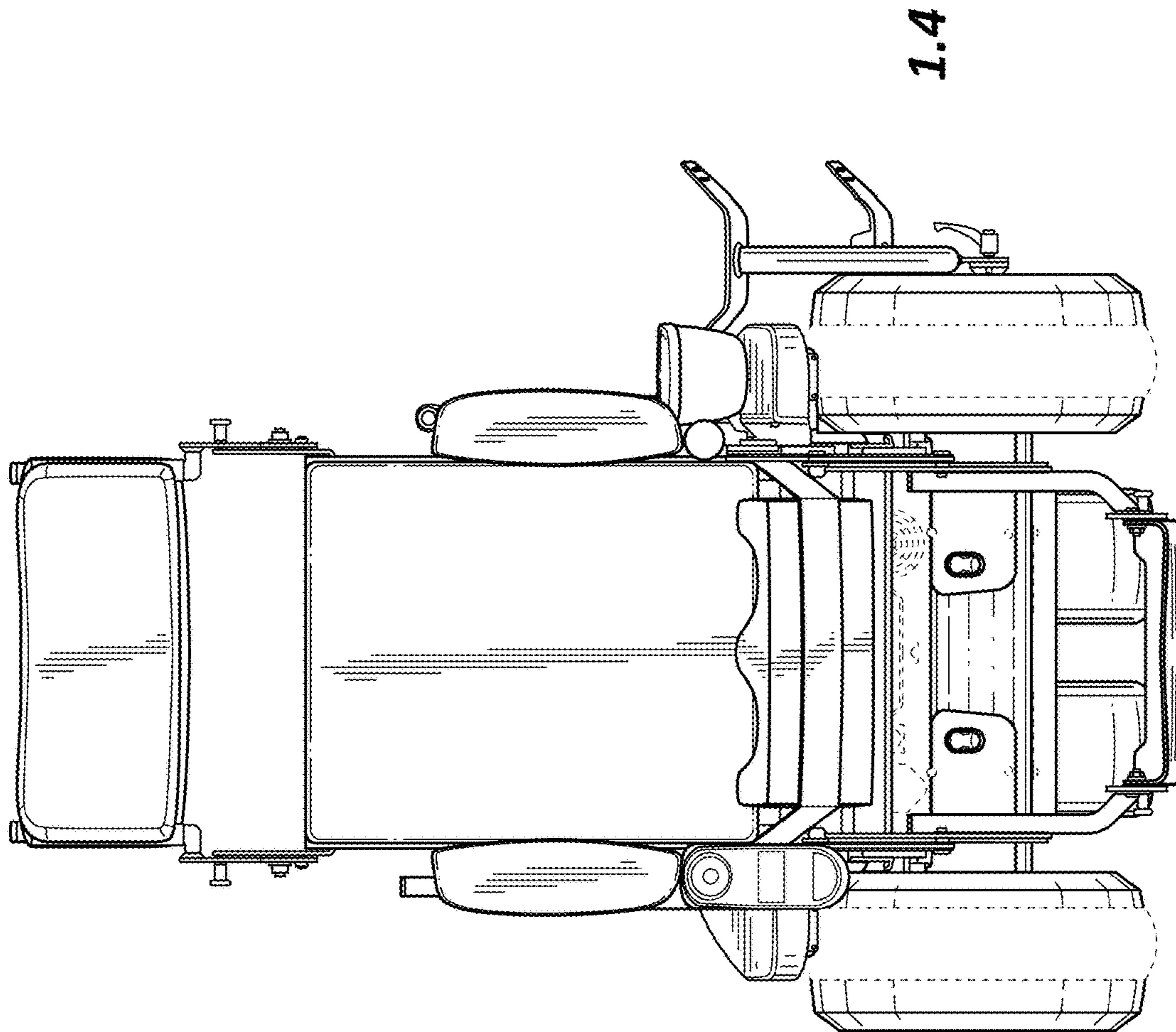
1.1

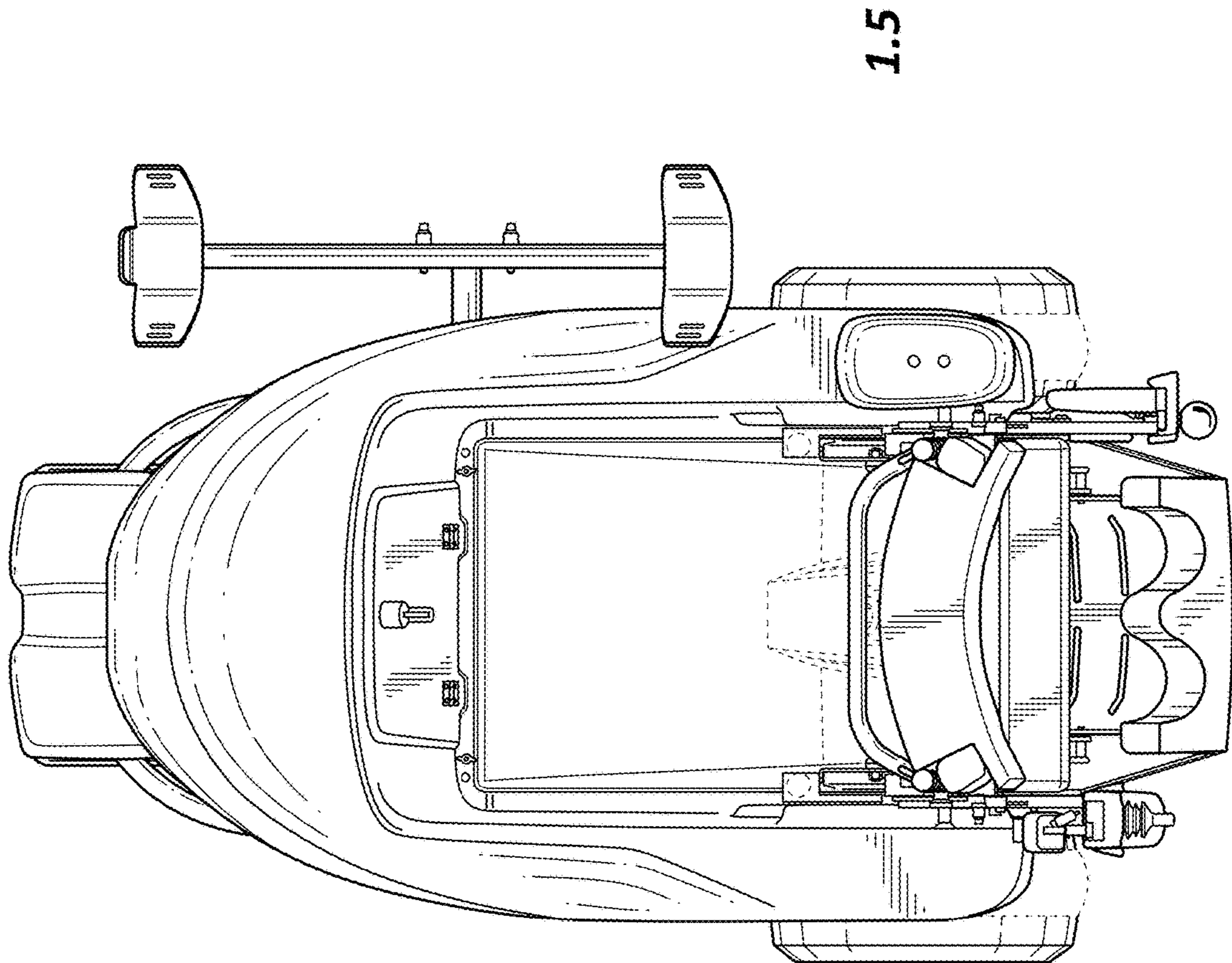


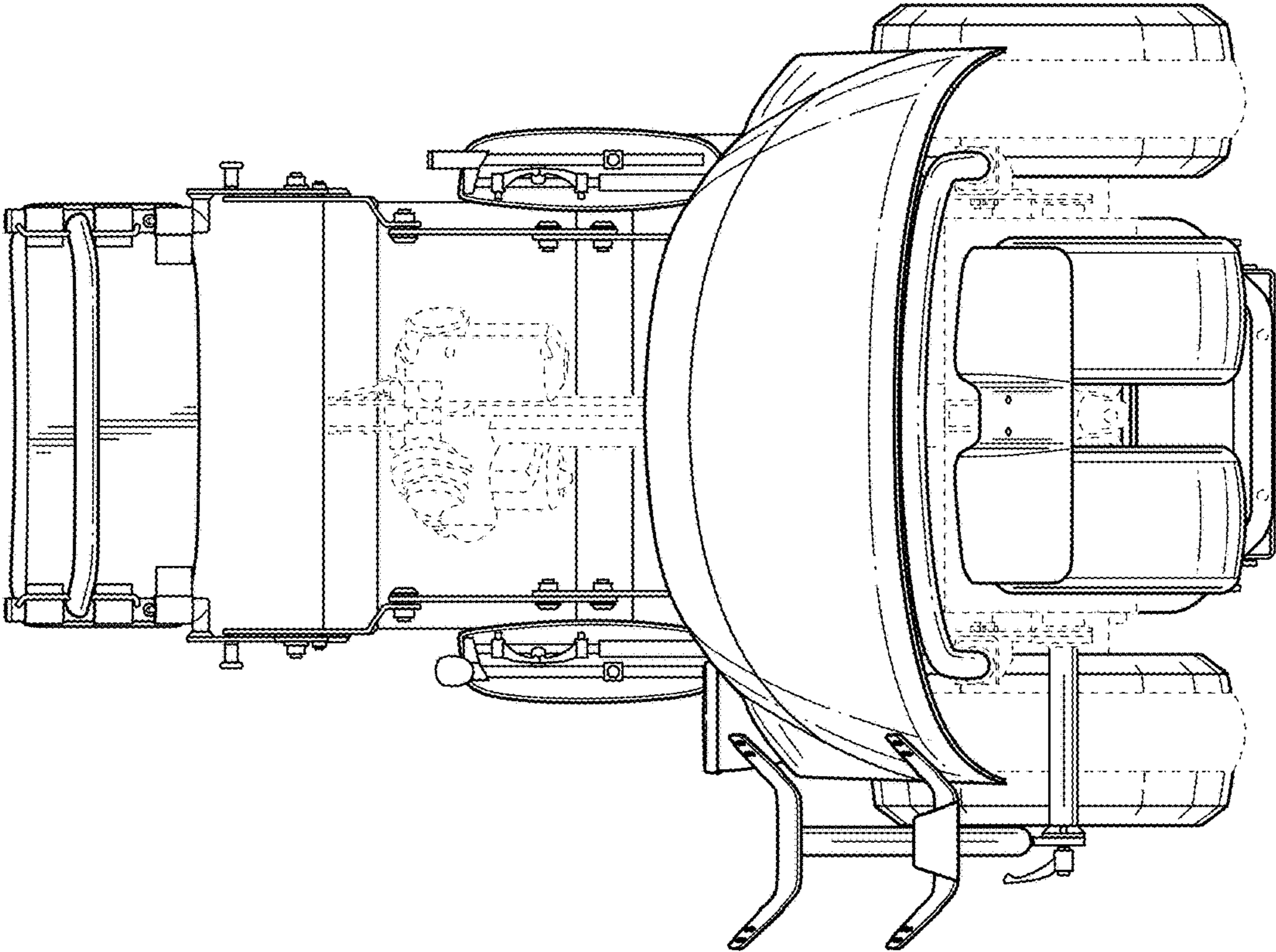


1.2

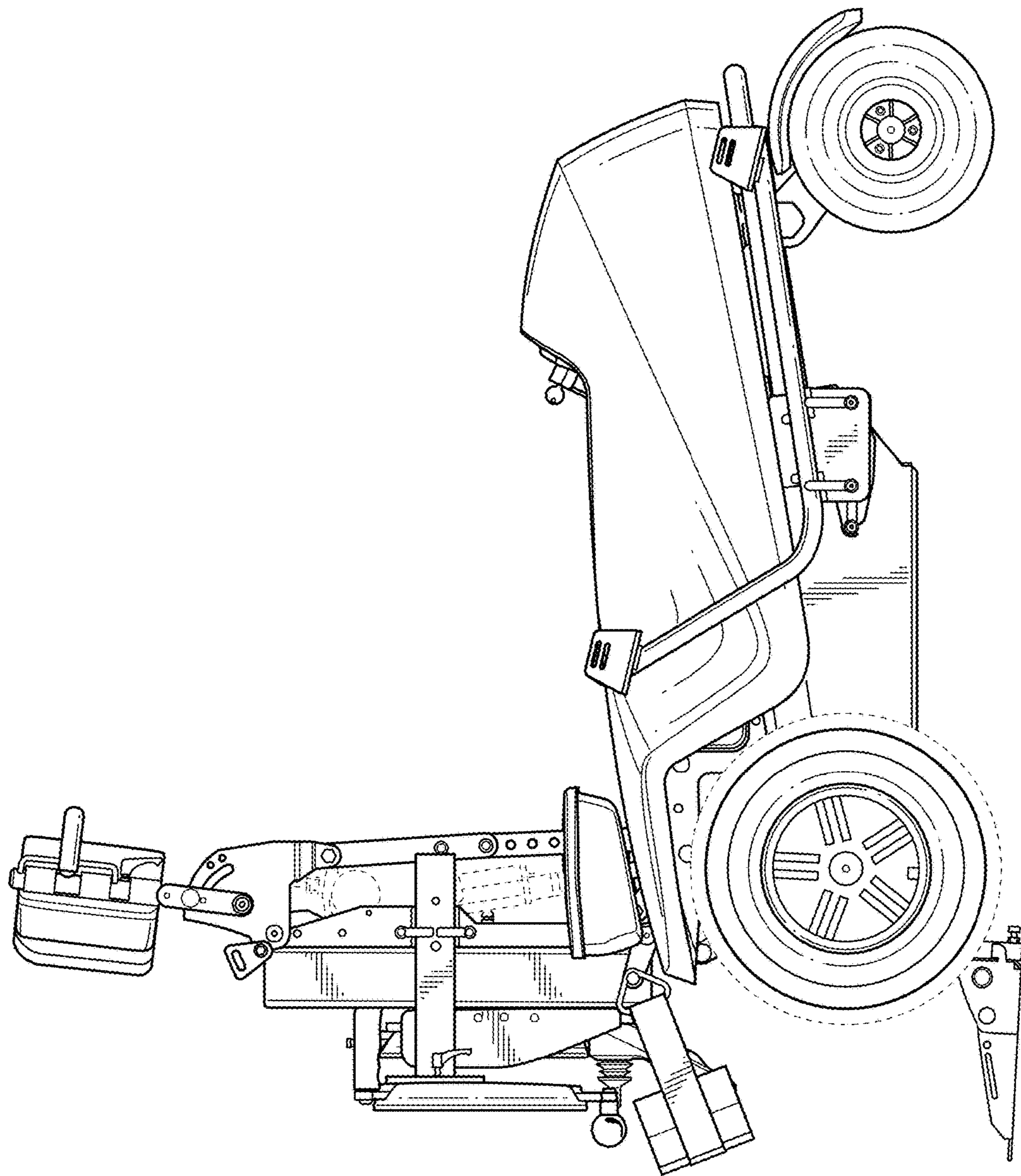


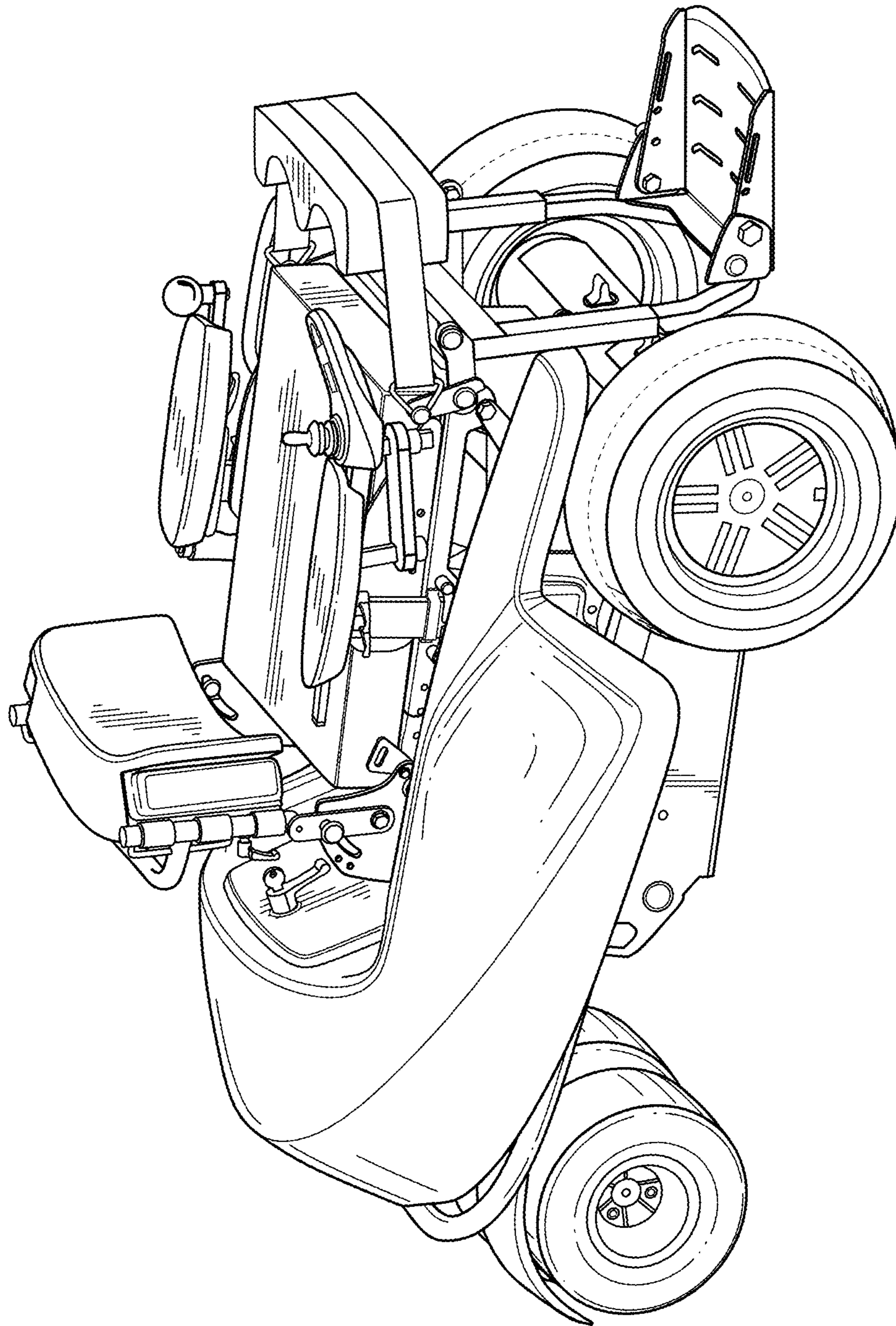




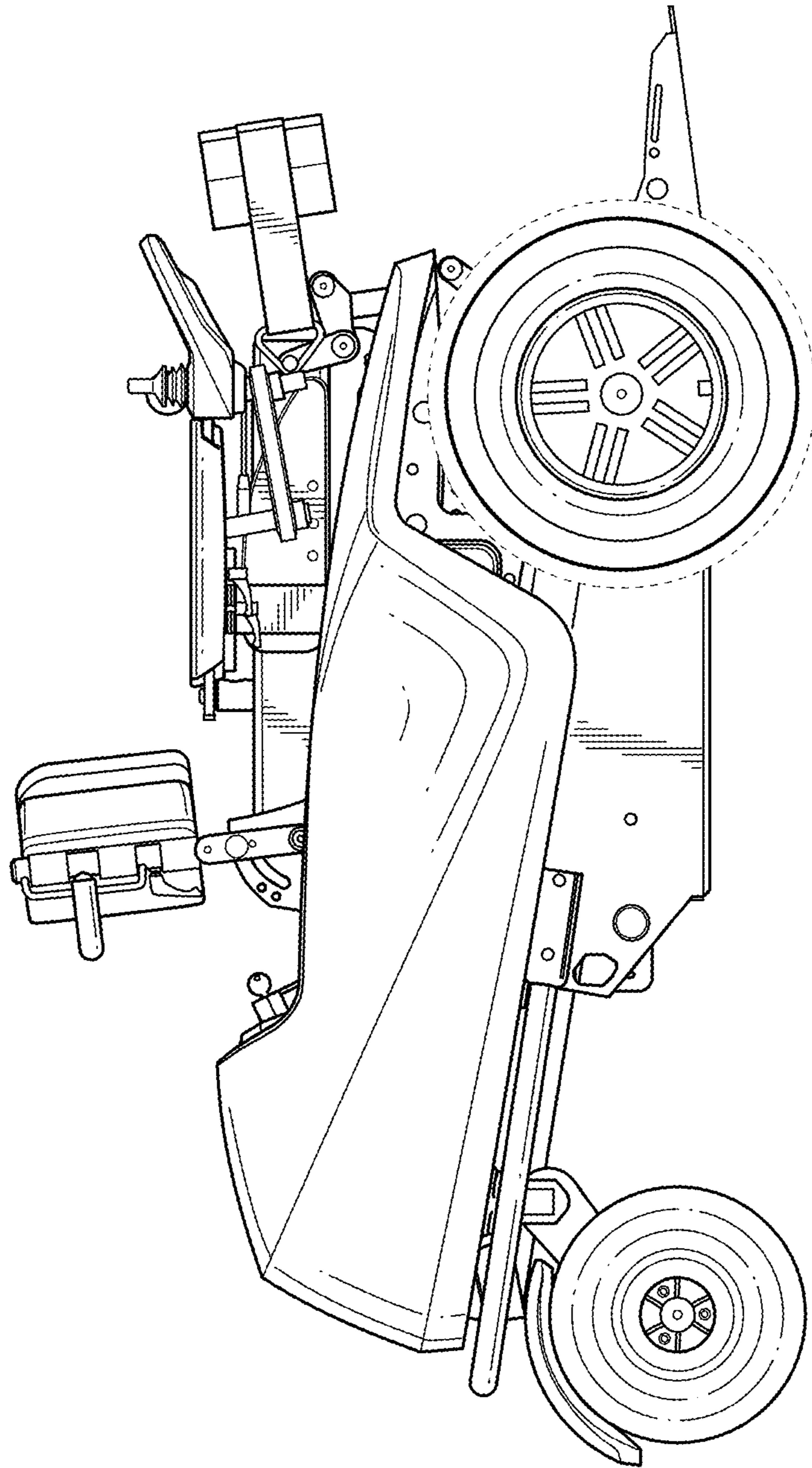


1.6



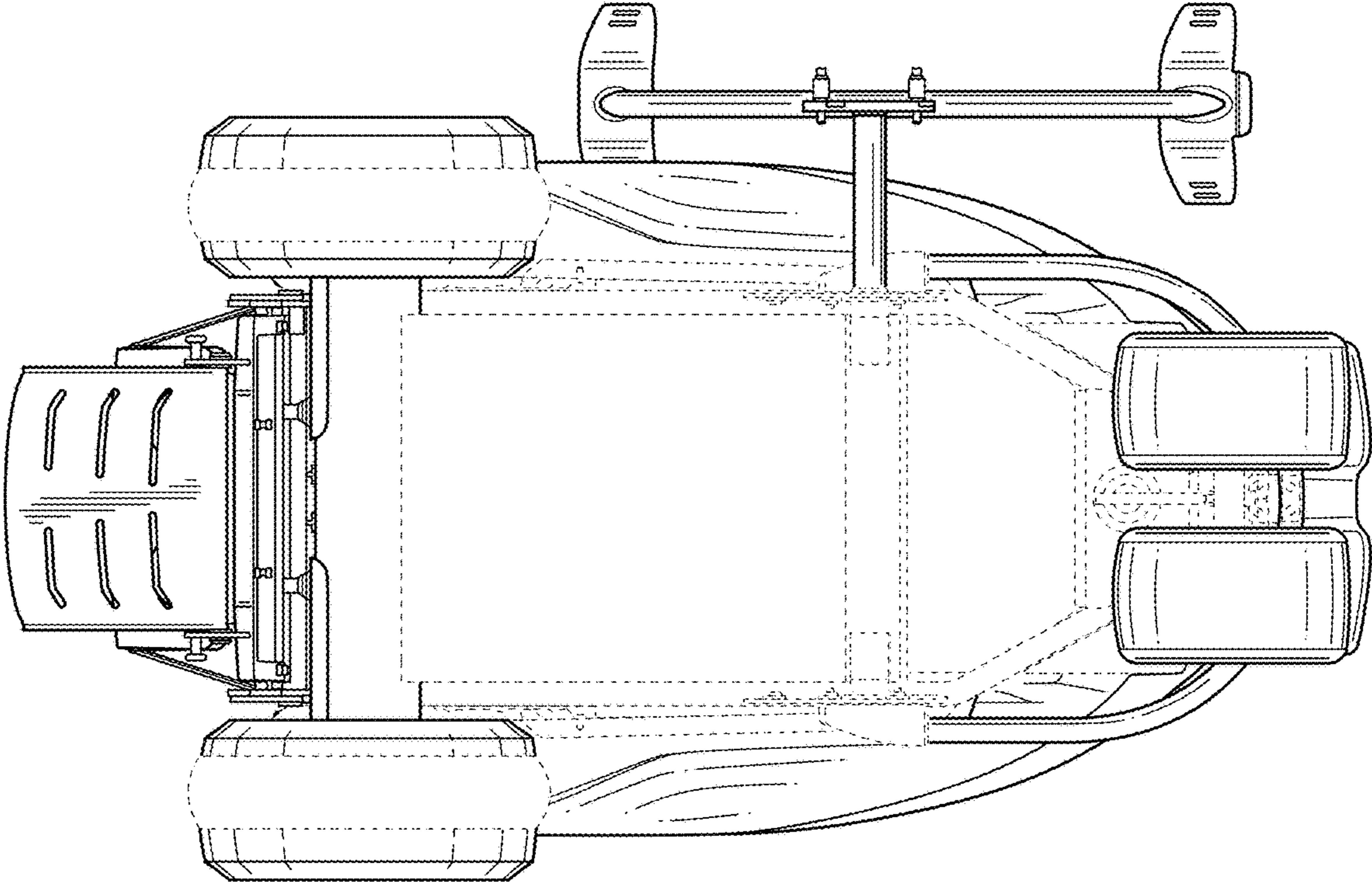


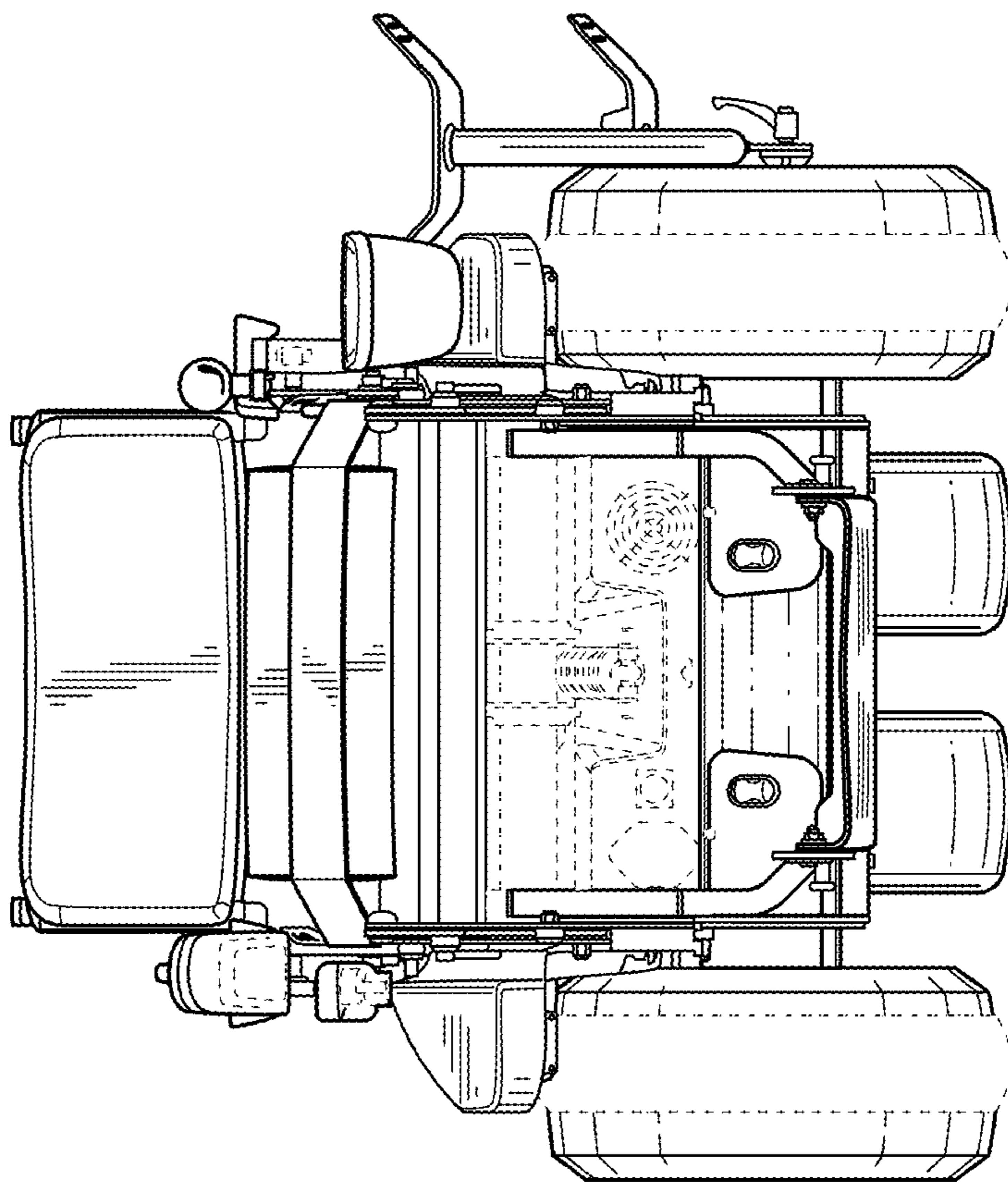
1.8



1.9

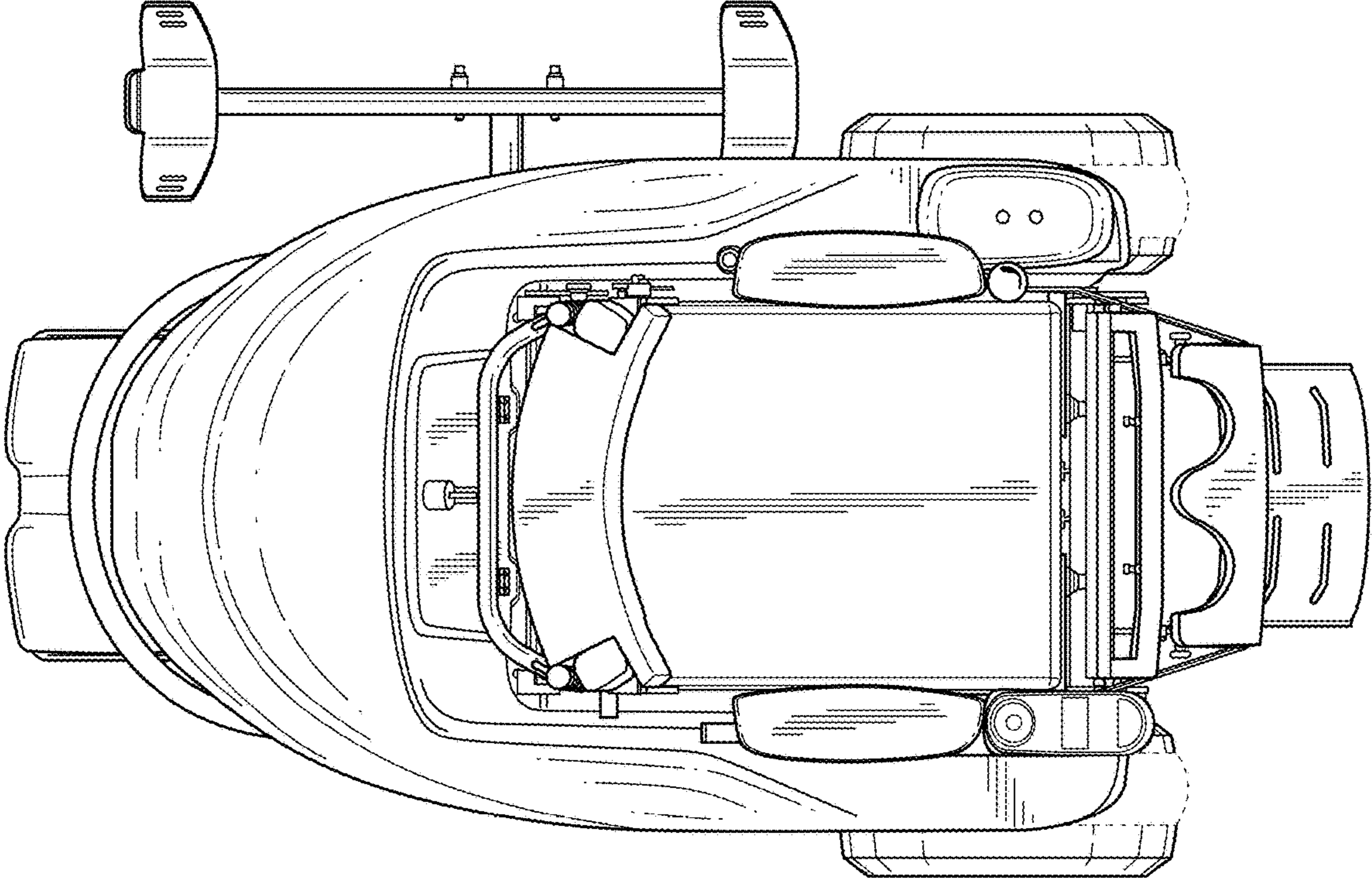
1.10

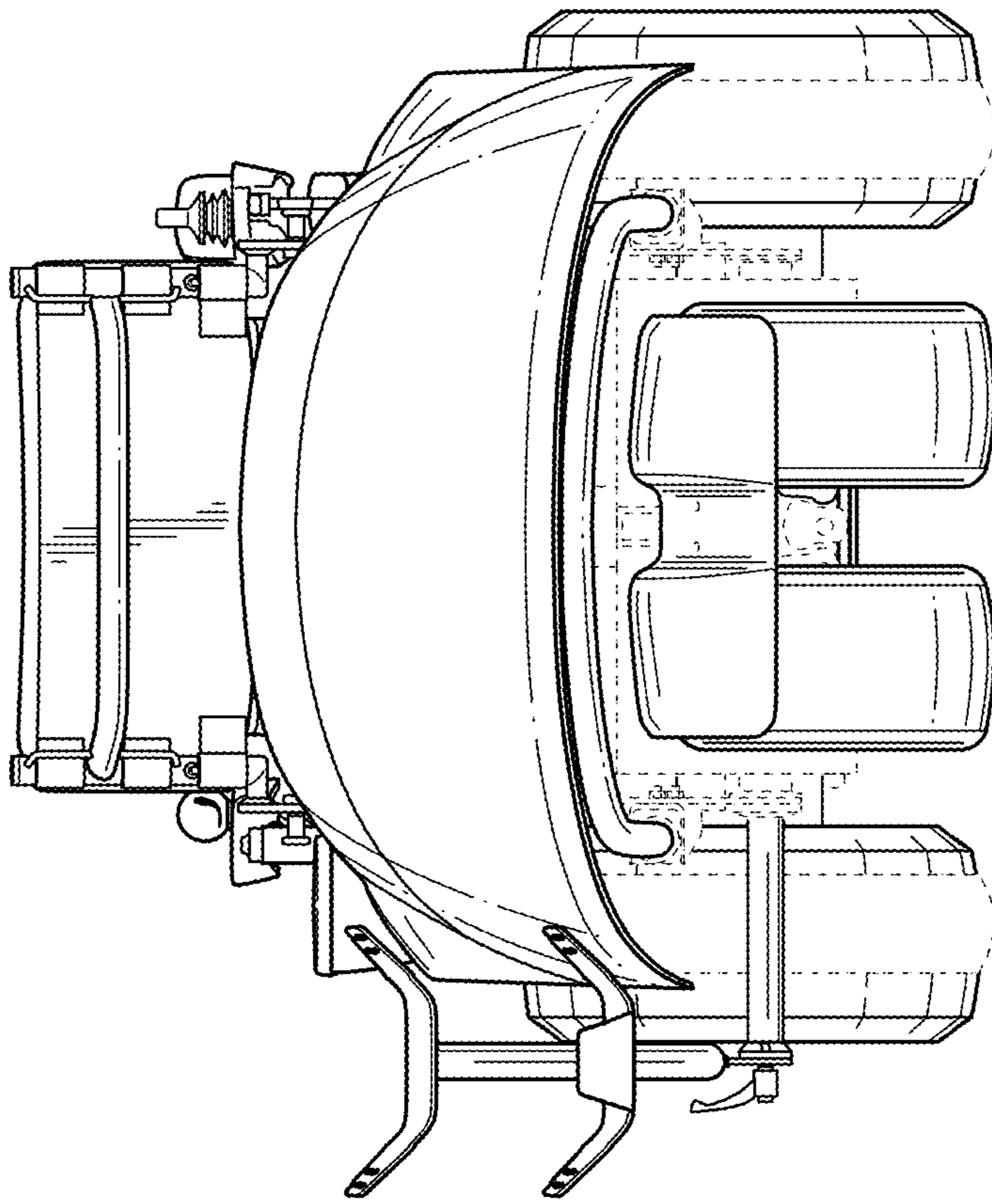




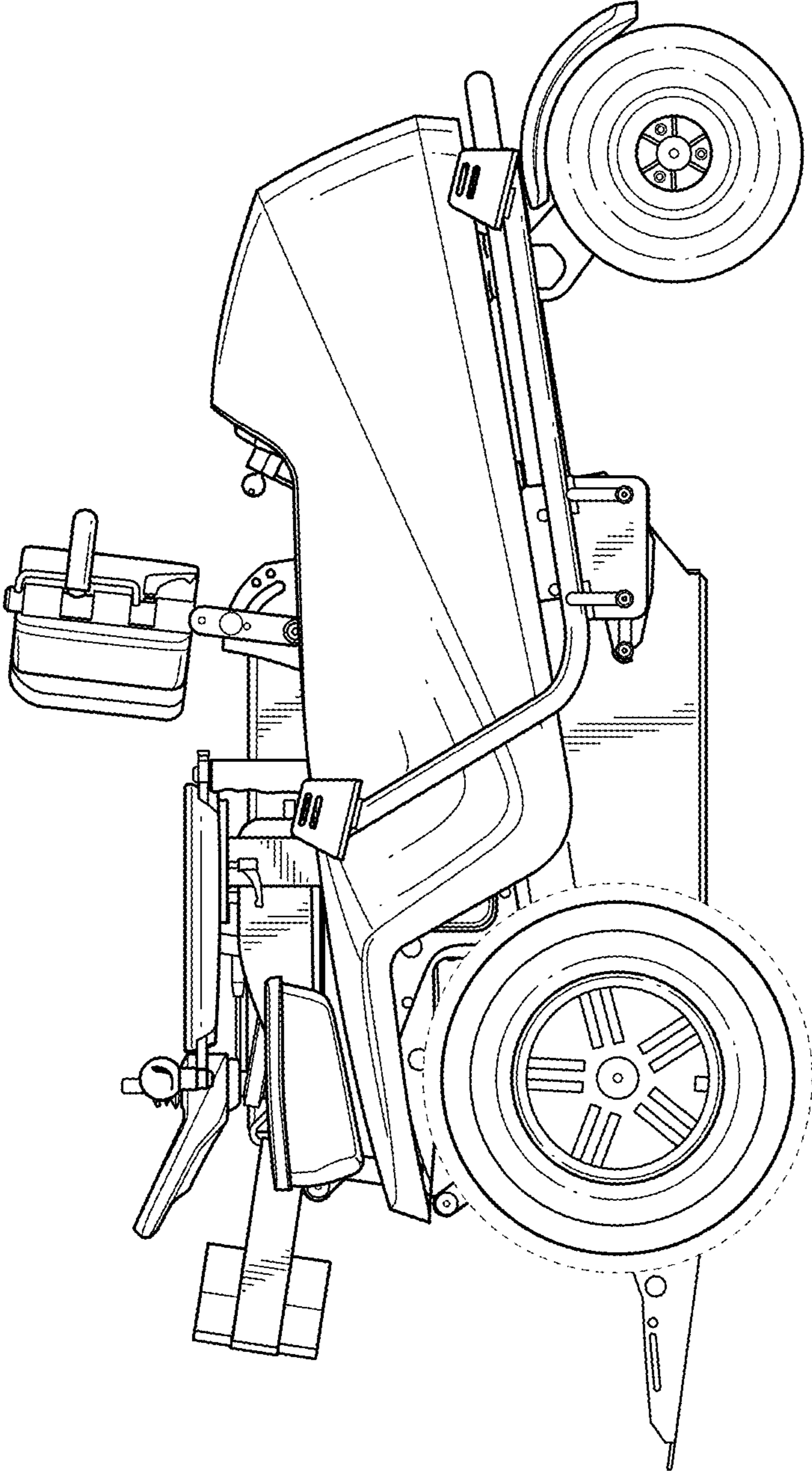
1.11

1.12





1.13



1.14