



US00D824291S

(12) **United States Design Patent**
Hsieh

(10) **Patent No.:** **US D824,291 S**

(45) **Date of Patent:** **** Jul. 31, 2018**

(54) **ERGONOMIC TRICYCLE**

(71) Applicant: **Melody Hsieh**, City of Industry, CA
(US)

(72) Inventor: **Melody Hsieh**, City of Industry, CA
(US)

(**) Term: **15 Years**

(21) Appl. No.: **29/603,175**

(22) Filed: **May 8, 2017**

(51) **LOC (11) Cl.** **12-11**

(52) **U.S. Cl.**
USPC **D12/112**

(58) **Field of Classification Search**
USPC D12/1, 107, 110-114, 129, 130, 133;
D21/412, 414, 419, 423-428, 431-435
CPC B62K 3/005; B62K 9/02; B62M 1/32;
B62M 1/38
See application file for complete search history.

(56) **References Cited**

U.S. PATENT DOCUMENTS

D235,426 S *	6/1975	Foster et al.	D12/112
D249,496 S *	9/1978	Morgan	D12/112
D251,264 S *	3/1979	Cook	D12/112
4,497,502 A *	2/1985	Forbes	B62D 9/02 280/240
D280,309 S *	8/1985	Forbes	D12/112
D290,451 S *	6/1987	Engum	280/259
D320,586 S *	10/1991	Tellinghuisen	D12/112
D369,130 S *	4/1996	Cummings	D12/112
5,568,935 A *	10/1996	Mason	B62K 3/005 280/266
D460,027 S *	7/2002	Shafer	D12/112
D460,723 S *	7/2002	Smit	D12/112
D465,439 S *	11/2002	van de Vrie	D12/112
D483,420 S *	12/2003	DeLong	D21/424

D485,514 S *	1/2004	Berg	D12/112
D493,391 S *	7/2004	Gunter	D12/112
D498,709 S *	11/2004	Sramek	D12/112
D516,962 S *	3/2006	Oosterveer	D12/112
D517,453 S *	3/2006	Oosterveer	D12/112
D518,417 S *	4/2006	Oosterveer	D12/112
D608,250 S *	1/2010	Van De Vrie	D12/112
D626,038 S *	10/2010	Li	D12/112
D653,996 S *	2/2012	Webster	D12/112
D678,130 S *	3/2013	Webster	D12/112
D680,913 S *	4/2013	Lofgren	D12/112
D682,746 S *	5/2013	Doherty	D12/112
D692,505 S *	10/2013	Jiang	D12/112
D692,506 S *	10/2013	Jiang	D12/112
D693,415 S *	11/2013	Doherty	D12/112
9,278,723 B2 *	3/2016	Merette	B62K 3/005
D776,016 S *	1/2017	Androski	D12/112
D777,608 S *	1/2017	Androski	D12/112
D789,837 S *	6/2017	van den Berg	D12/112

(Continued)

Primary Examiner — Darlington Ly
(74) *Attorney, Agent, or Firm* — The Rapacke Law Group, P.A.

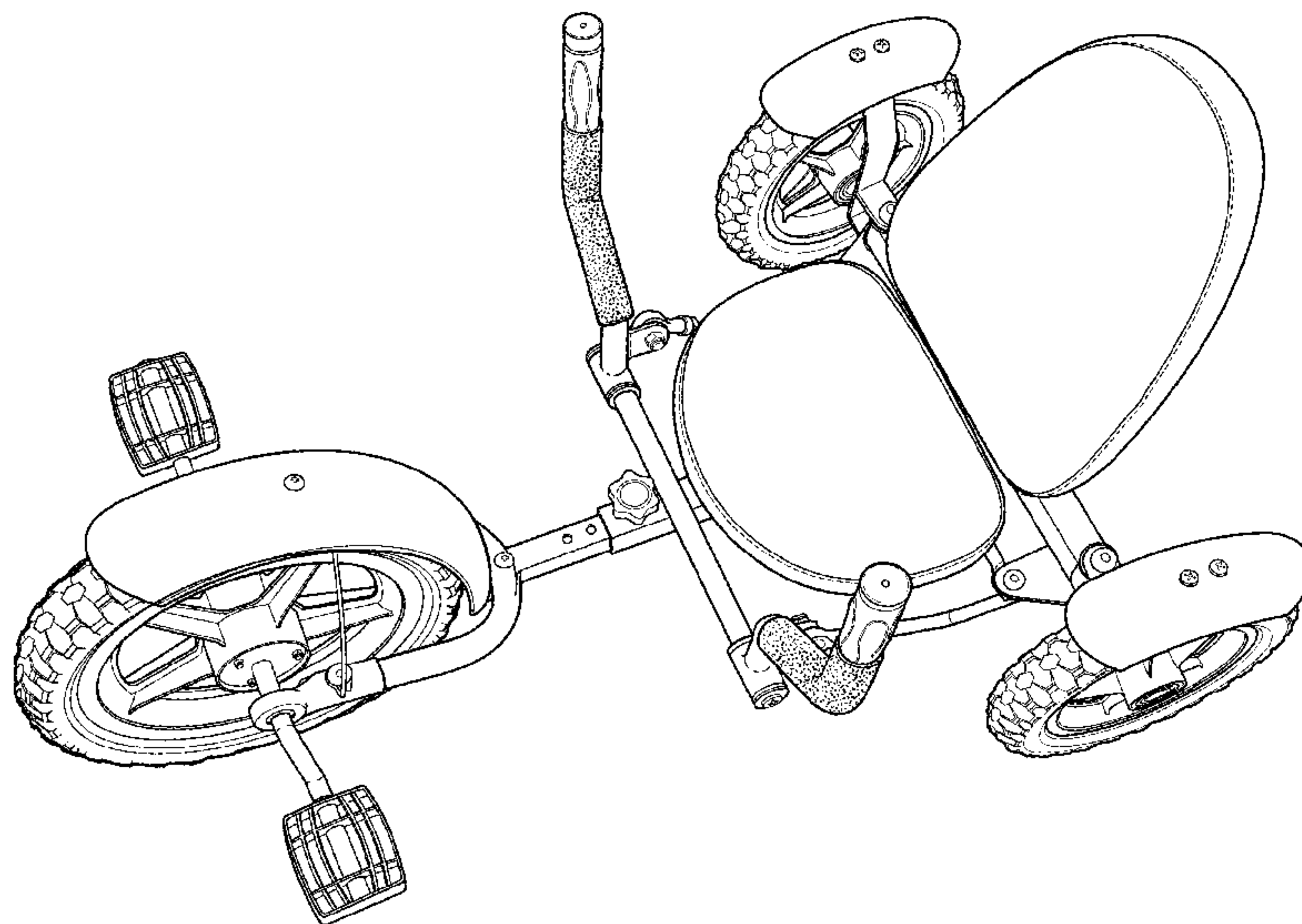
(57) **CLAIM**

The ornamental design for an ergonomic tricycle, as shown and described.

DESCRIPTION

FIG. 1 is a top, front, and left side perspective view of an ergonomic tricycle showing my new design; FIG. 2 is a front elevation view thereof; FIG. 3 is a rear elevation view thereof; FIG. 4 is a left side elevation view thereof; FIG. 5 is a right side elevation view thereof; FIG. 6 is a top plan view thereof; and, FIG. 7 is a bottom plan view thereof. The broken lines in the drawings illustrate portions of the ergonomic tricycle that form no part of the claimed design.

1 Claim, 7 Drawing Sheets



(56)

References Cited

U.S. PATENT DOCUMENTS

2011/0248467 A1* 10/2011 Ball B62K 3/005
280/259

* cited by examiner

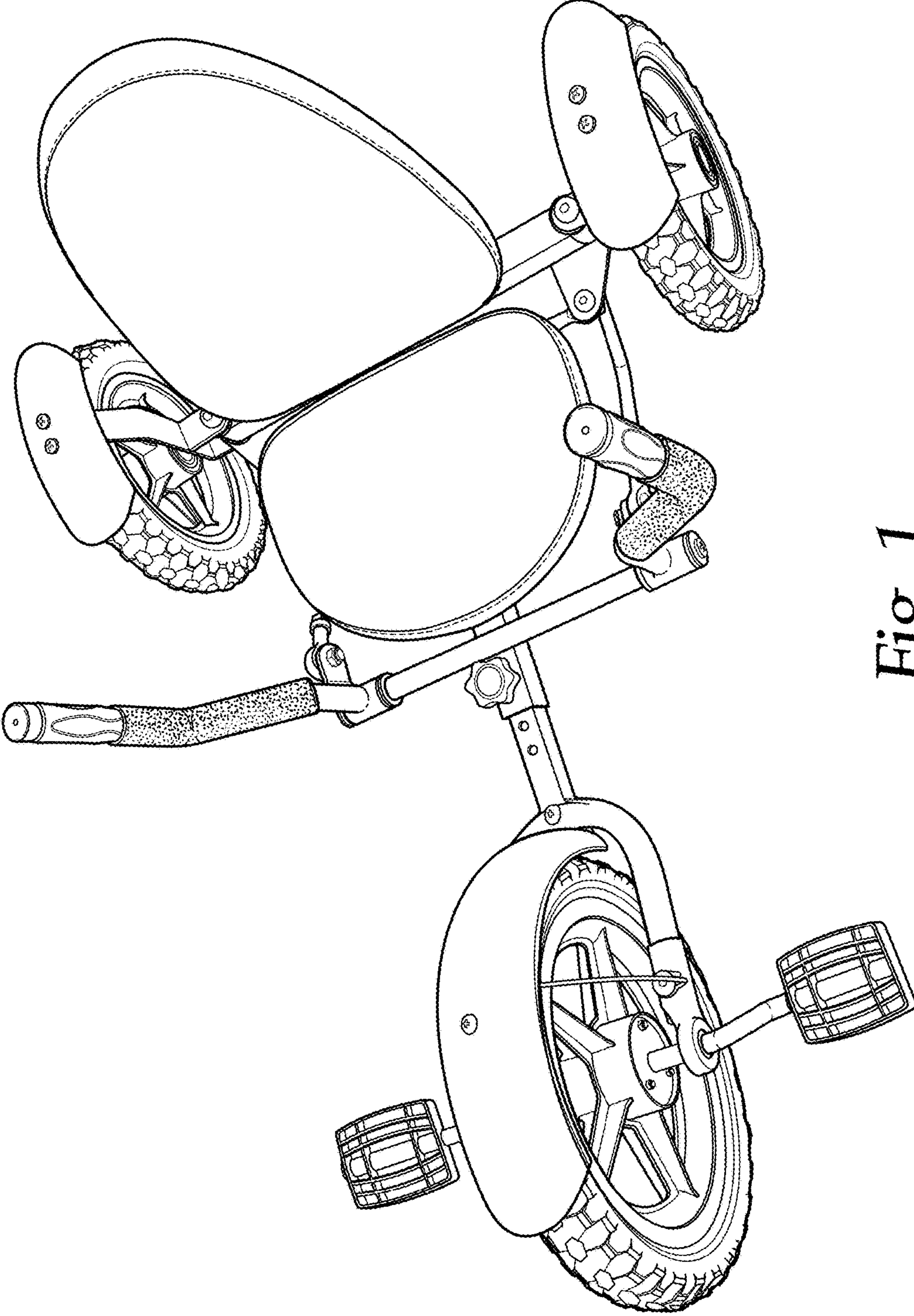


Fig. 1

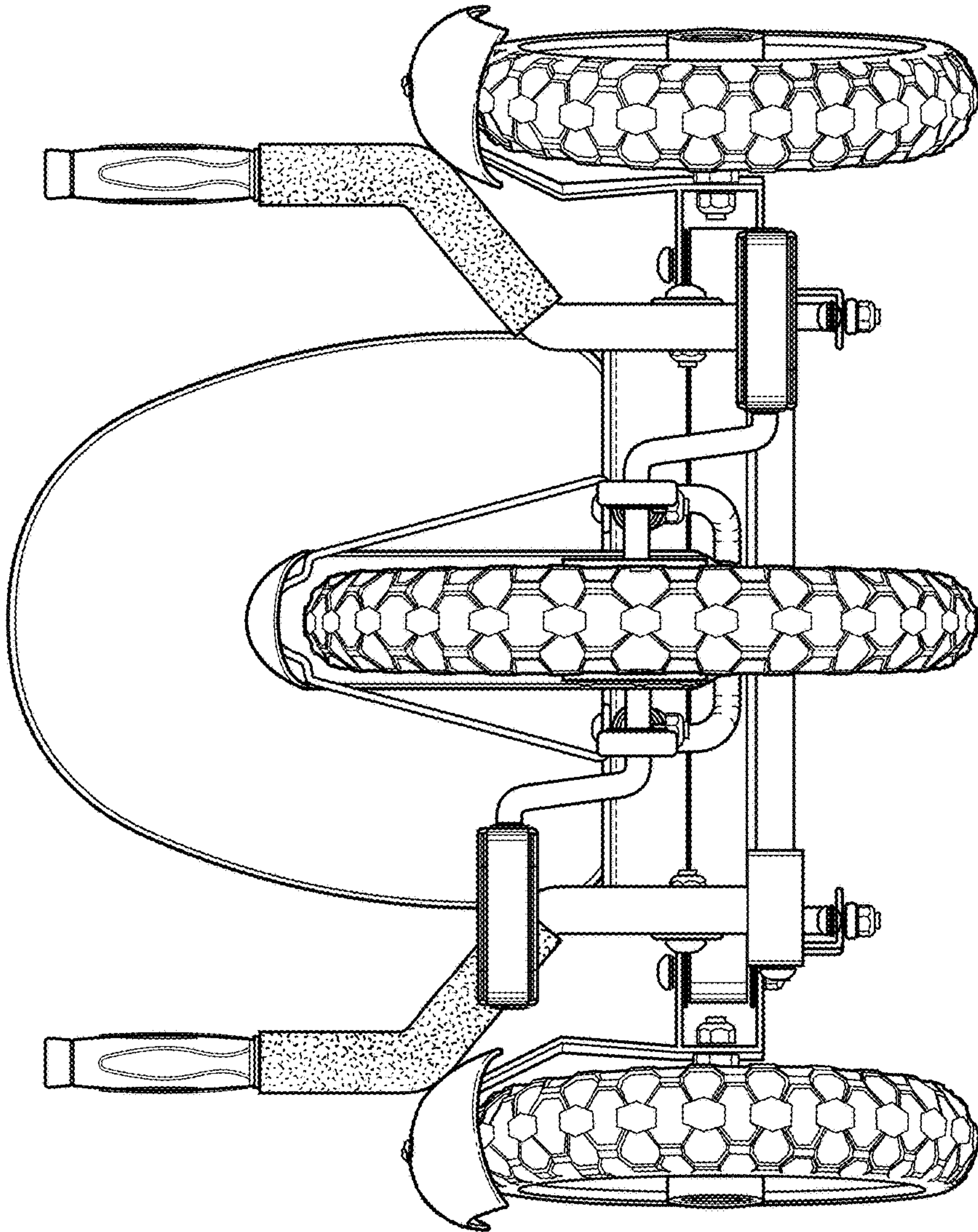


Fig. 2

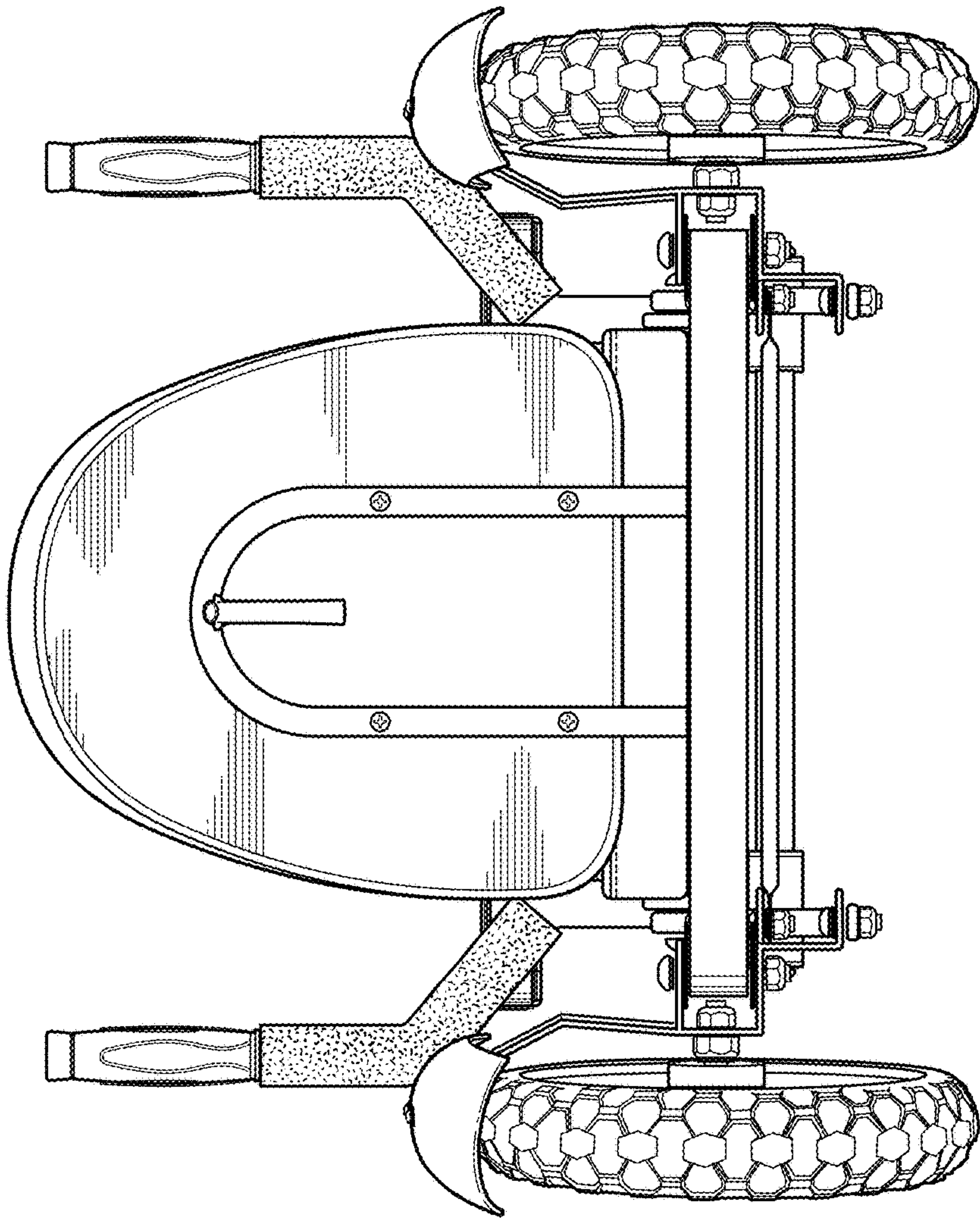


Fig. 3

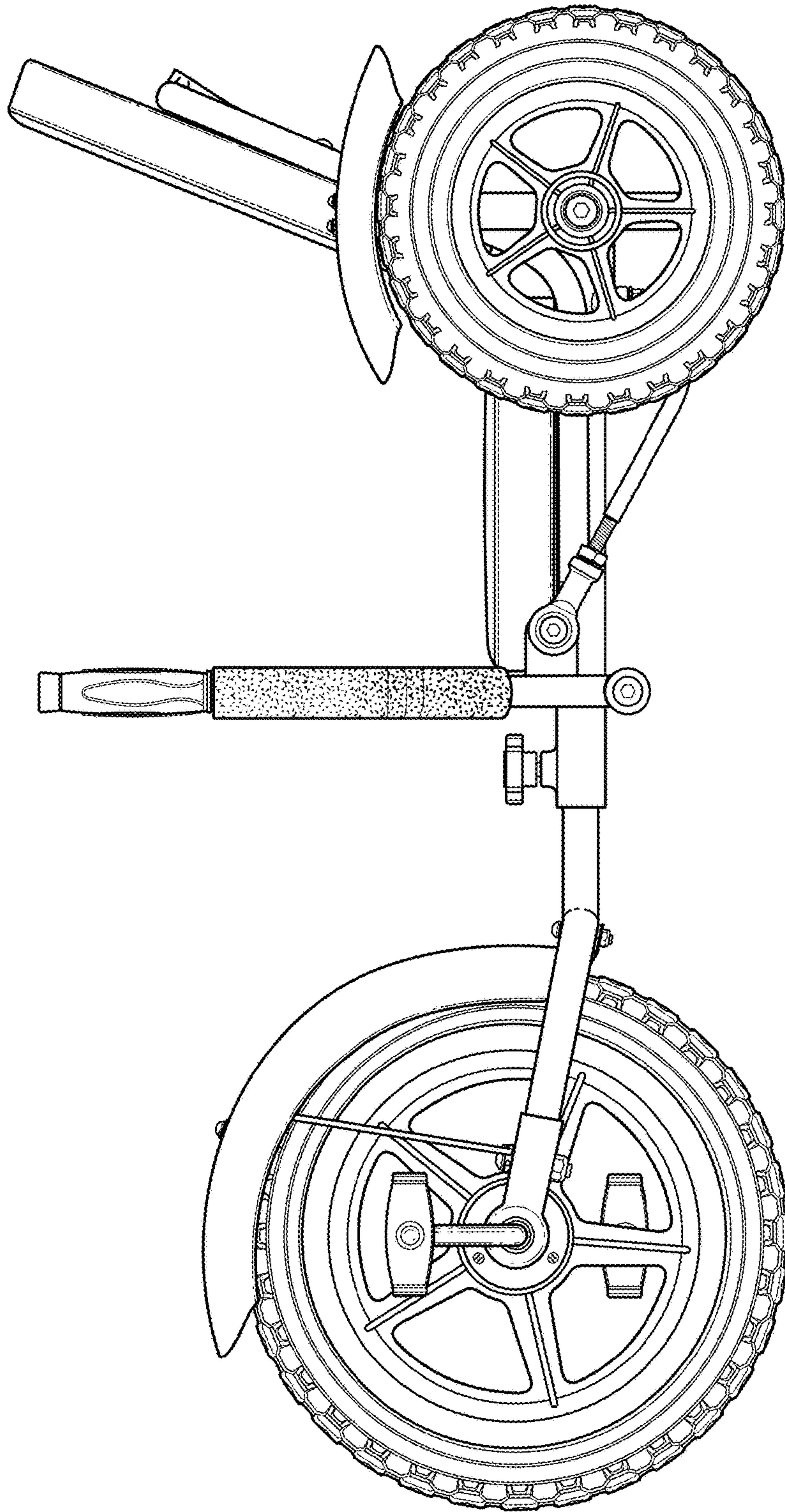


Fig. 4

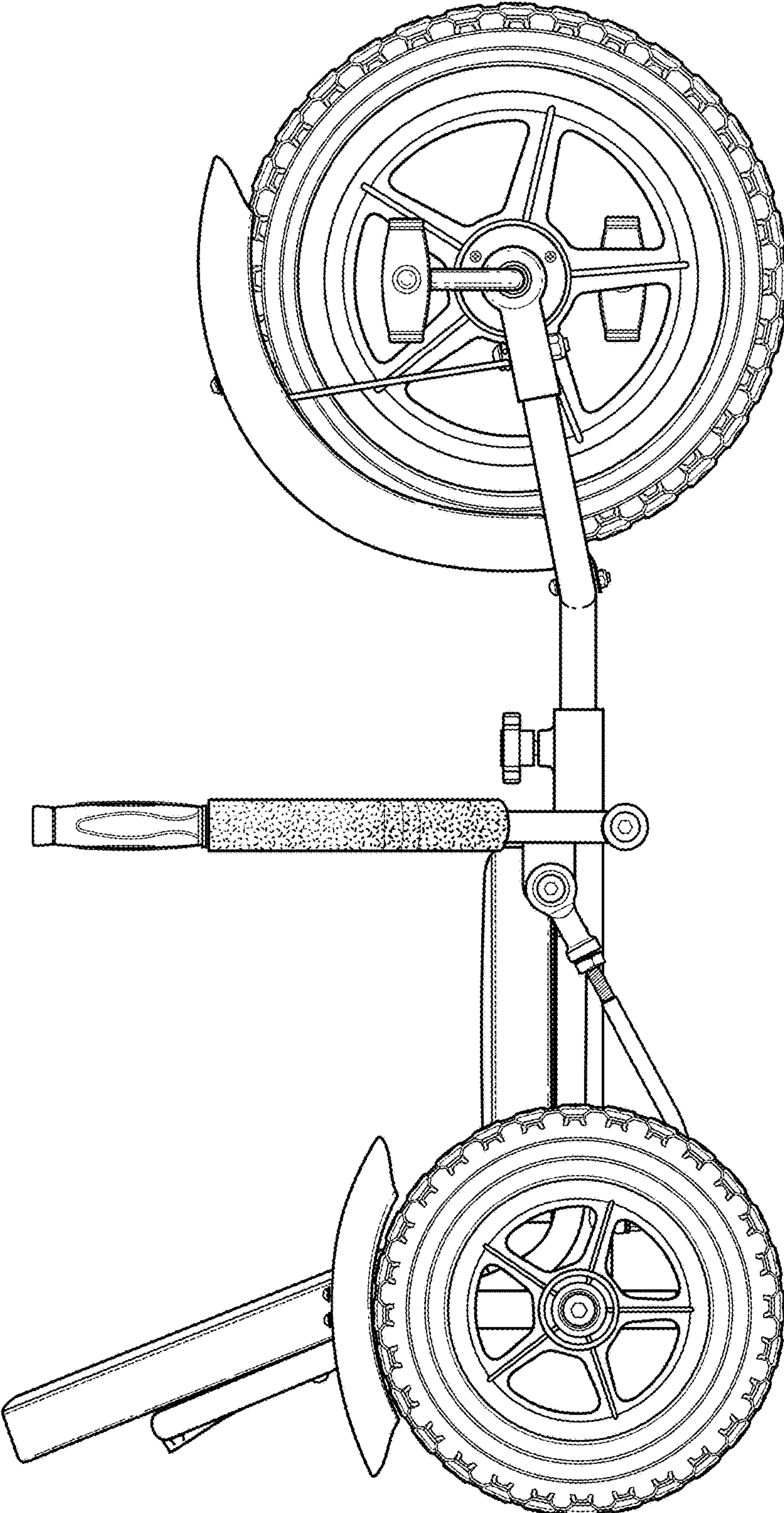


Fig. 5

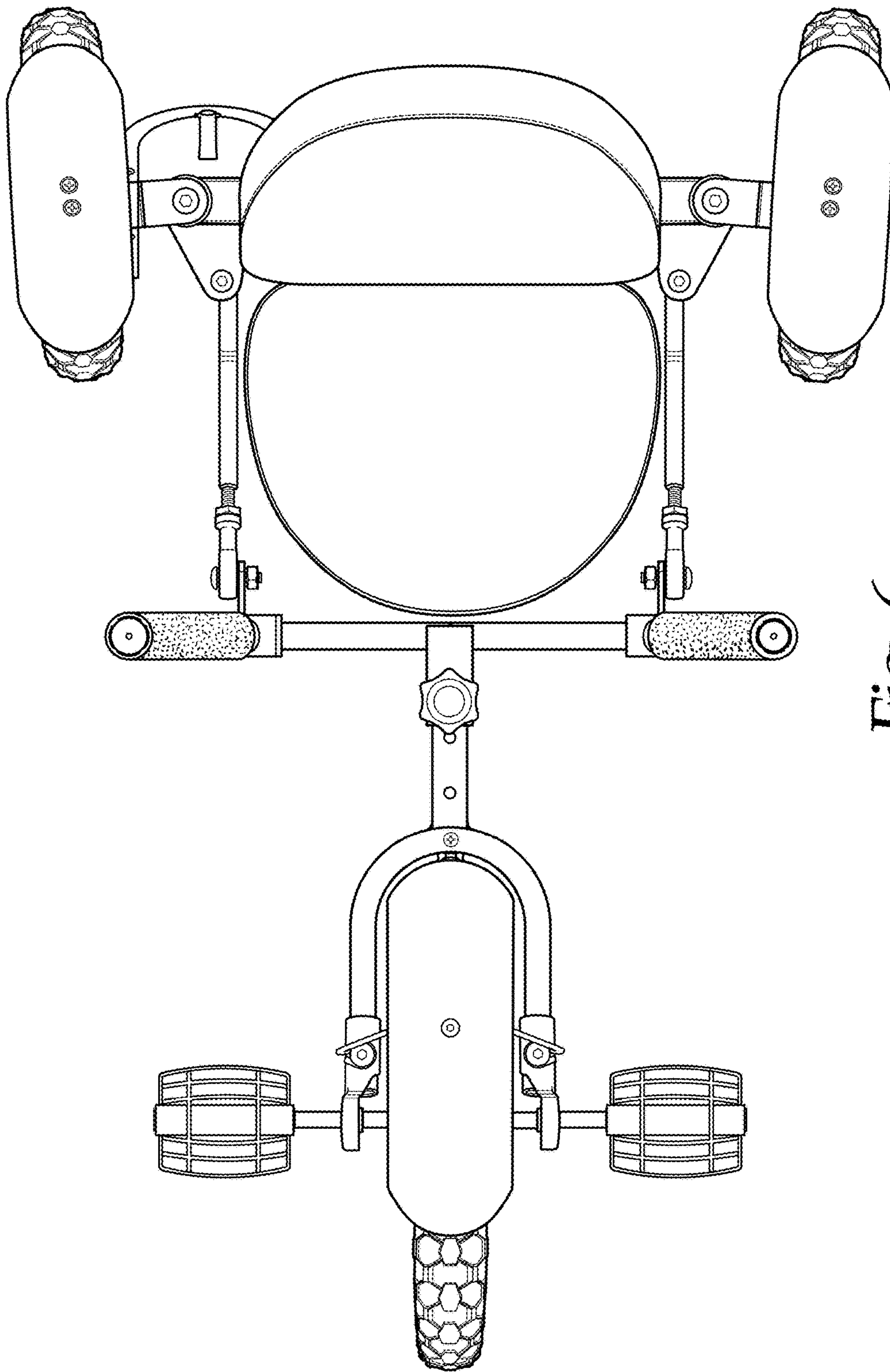


Fig. 6

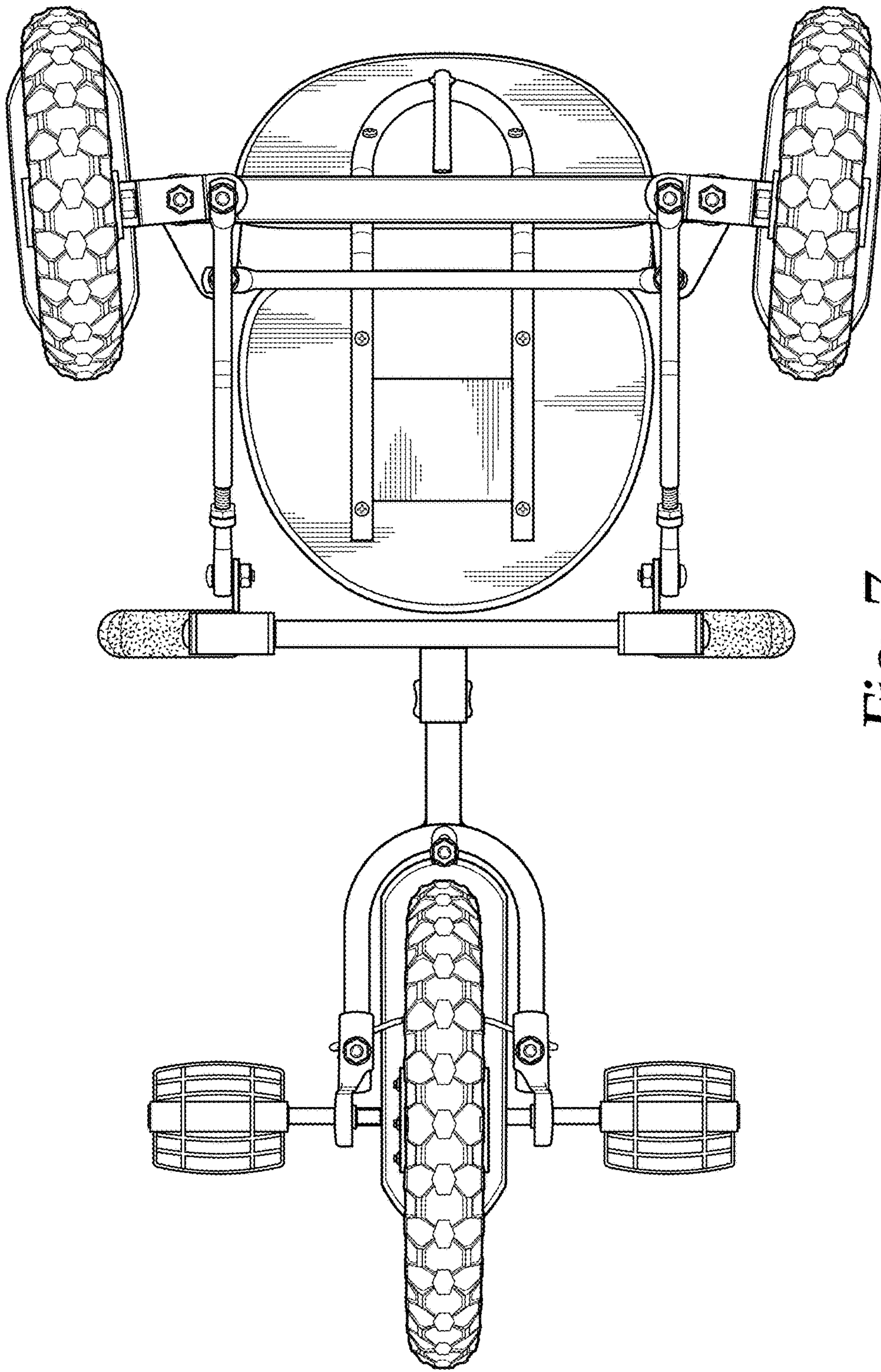


Fig. 7