



US00D824290S

(12) **United States Design Patent**
Sukkar et al.

(10) **Patent No.:** **US D824,290 S**
(45) **Date of Patent:** **** Jul. 31, 2018**

- (54) **MINI BIKE**
- (71) Applicant: **Monster Moto, LLC**, Garland, TX (US)
- (72) Inventors: **Rick Sukkar**, Garland, TX (US);
Andrew Abel, Garland, TX (US);
Alexander J. Keechle, Garland, TX (US)
- (73) Assignee: **Monster Moto, LLC**, Garland, TX (US)
- (**) Term: **15 Years**
- (21) Appl. No.: **29/580,902**
- (22) Filed: **Oct. 13, 2016**
- (51) **LOC (11) Cl.** **12-11**
- (52) **U.S. Cl.**
USPC **D12/110**
- (58) **Field of Classification Search**
USPC D12/110, 111, 112, 114, 117, 119
CPC ... B62K 3/00; B62K 3/02; B62K 5/00; B62K 5/003; B62K 5/007; B62K 5/01; B62K 11/00; B62K 11/02; B62K 11/04; B62K 15/00; B62K 2202/00; B62K 25/26; B62K 5/1208
See application file for complete search history.

4,022,484 A *	5/1977	Davis	B62K 11/02
				280/284
4,735,275 A *	4/1988	Tsukahara	B62K 5/01
				180/215
5,377,776 A *	1/1995	Saiki	B62K 11/04
				180/219
5,390,758 A *	2/1995	Hunter	B60K 5/1208
				180/227
5,480,001 A *	1/1996	Hara	B62K 11/04
				180/219
D480,335 S *	10/2003	James	D12/110
D480,664 S *	10/2003	James	D12/110
D480,993 S *	10/2003	James	D12/110
D653,590 S *	2/2012	Patterson	D12/110
D689,798 S *	9/2013	Patterson	D12/111
2008/0073139 A1 *	3/2008	Conrad	B62K 11/00
				180/227

* cited by examiner

Primary Examiner — Karen S Acker
Assistant Examiner — Jerry Shiuan-Hua Hsu

(57) **CLAIM**

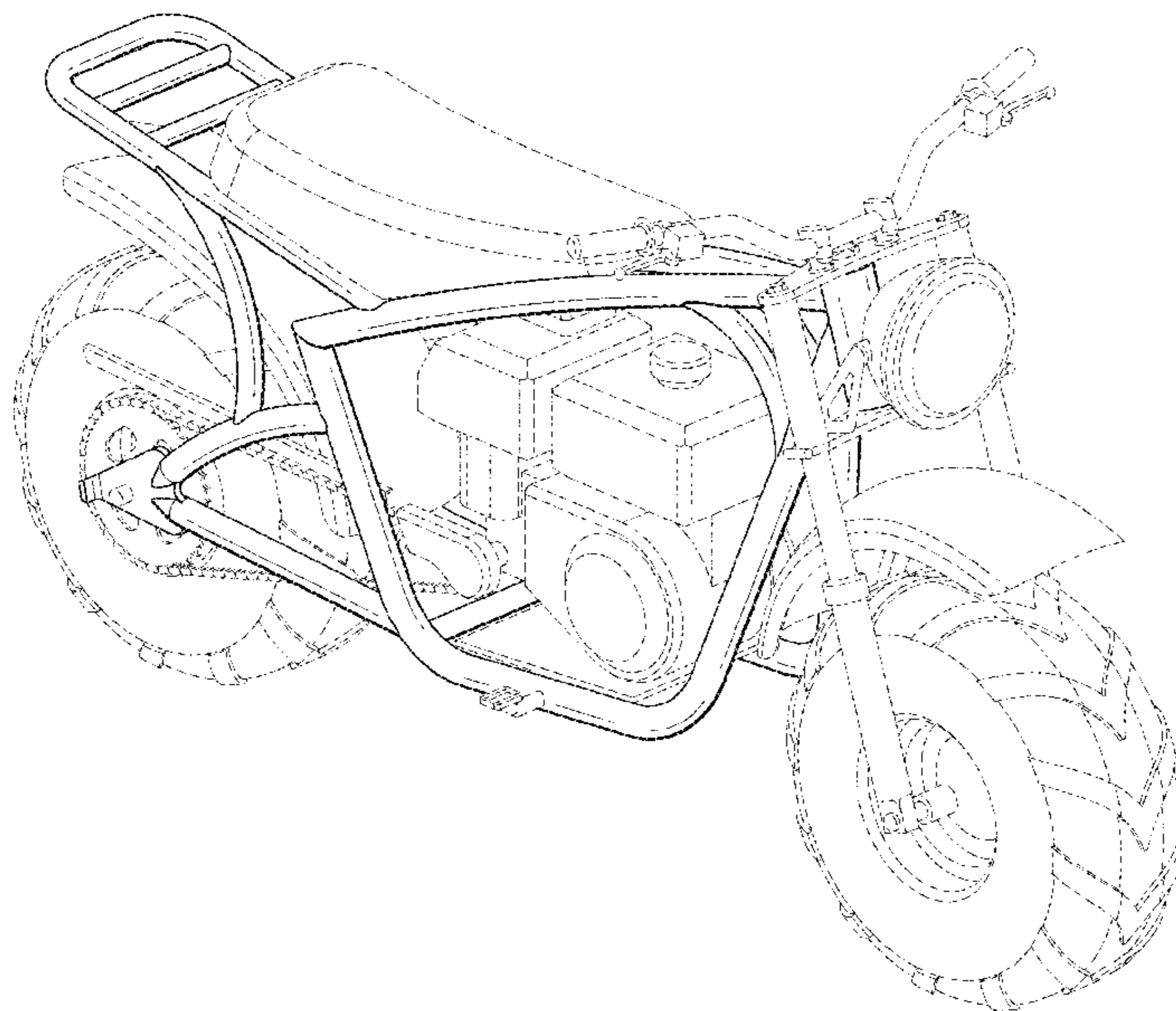
The ornamental design for a mini bike, as shown and described.

DESCRIPTION

FIG. 1—is a front perspective view of the mini bike;
FIG. 2—is a front view of the mini bike;
FIG. 3—is a rear view of the mini bike;
FIG. 4—is a right side view of the mini bike;
FIG. 5—is a left side view of the mini bike;
FIG. 6—is a top view of the mini bike;
FIG. 7—is a bottom view of the mini bike; and,
FIG. 8—is a rear perspective view of the mini bike.
The broken lines illustrate portions of the mini bike that form no part of the claimed design.

1 Claim, 7 Drawing Sheets

- (56) **References Cited**
U.S. PATENT DOCUMENTS
- 2,863,672 A * 12/1958 Murata B62K 25/26
267/251
- 3,301,575 A * 1/1967 Ryan B62J 1/06
180/205.4



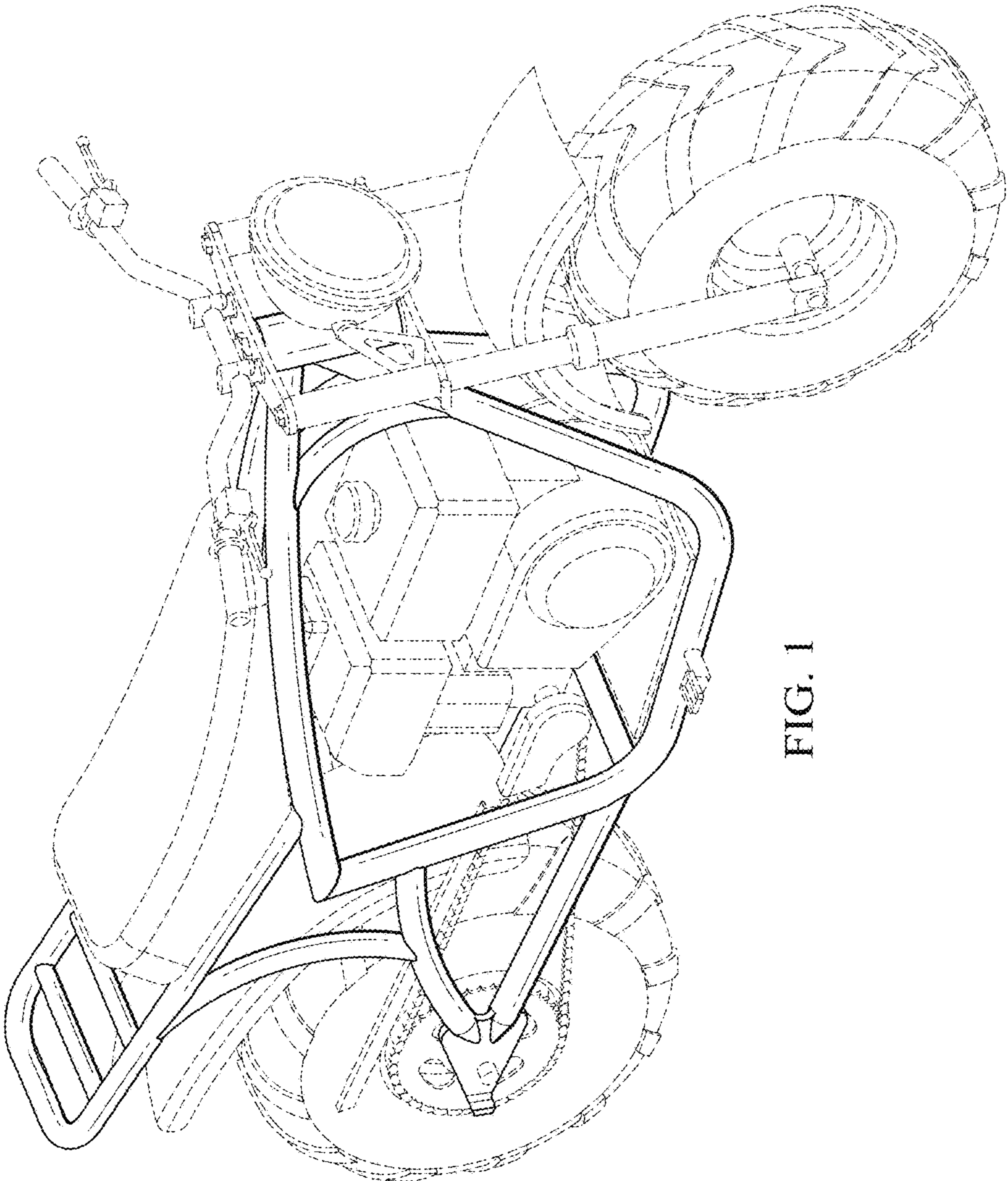


FIG. 1

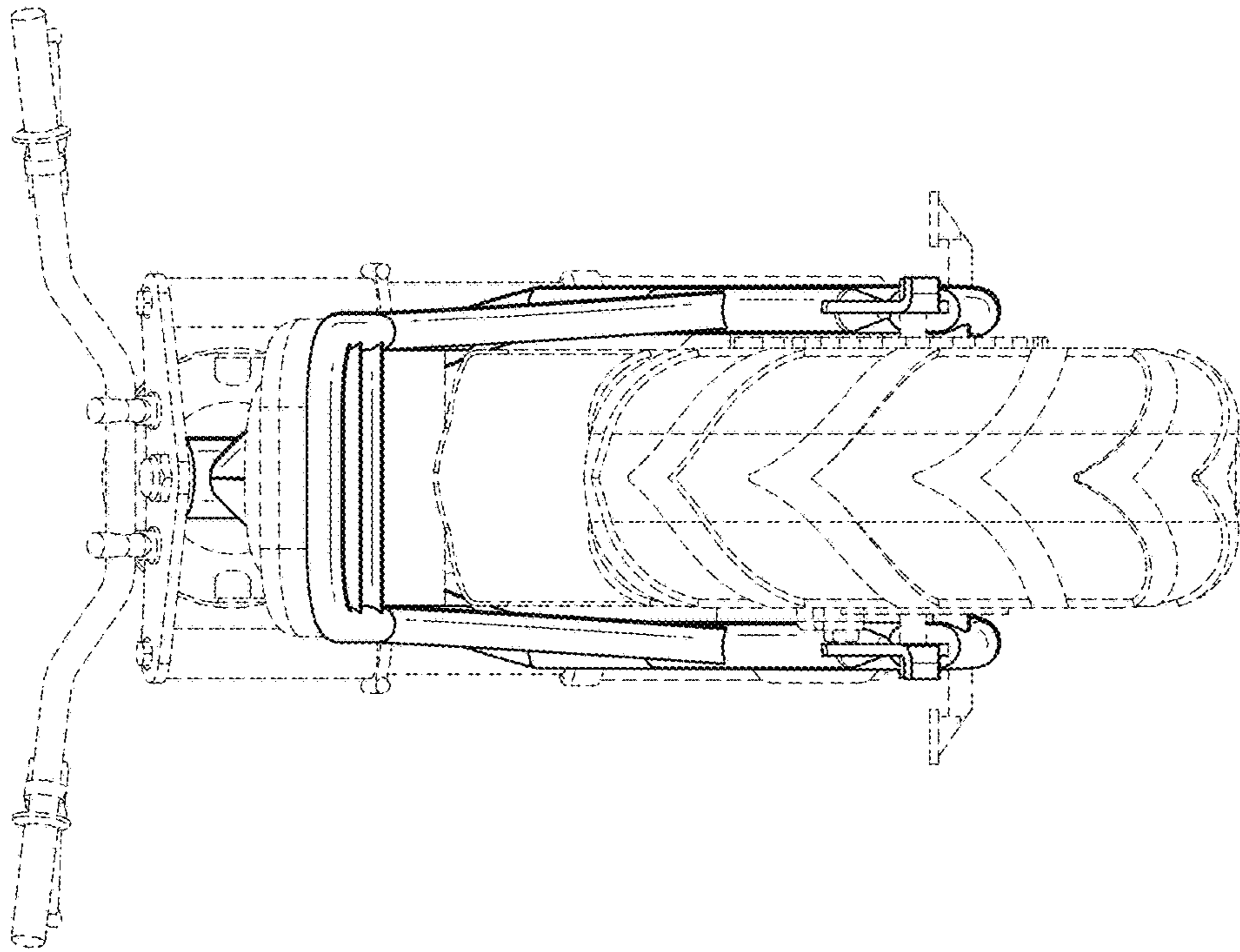


FIG. 2

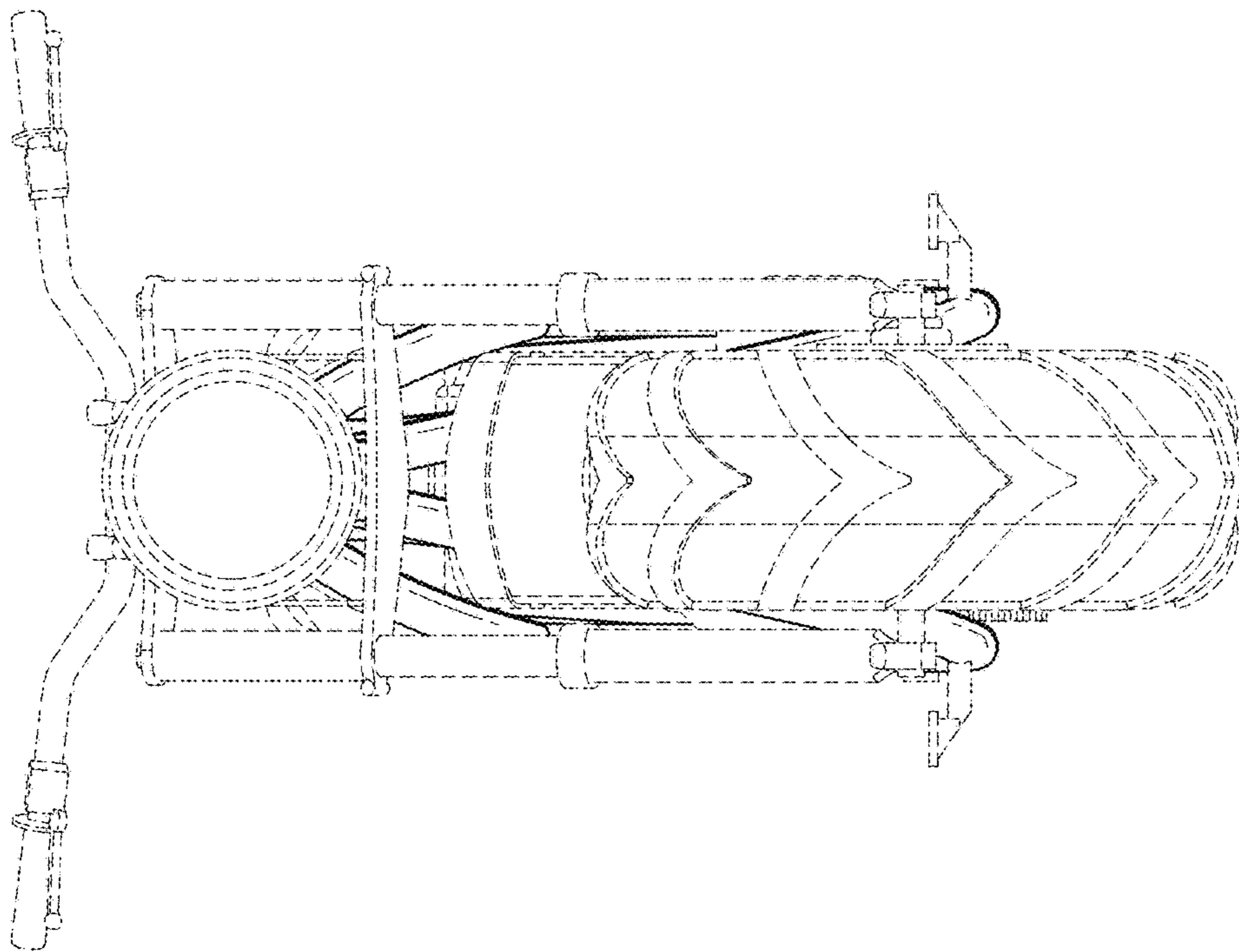


FIG. 3

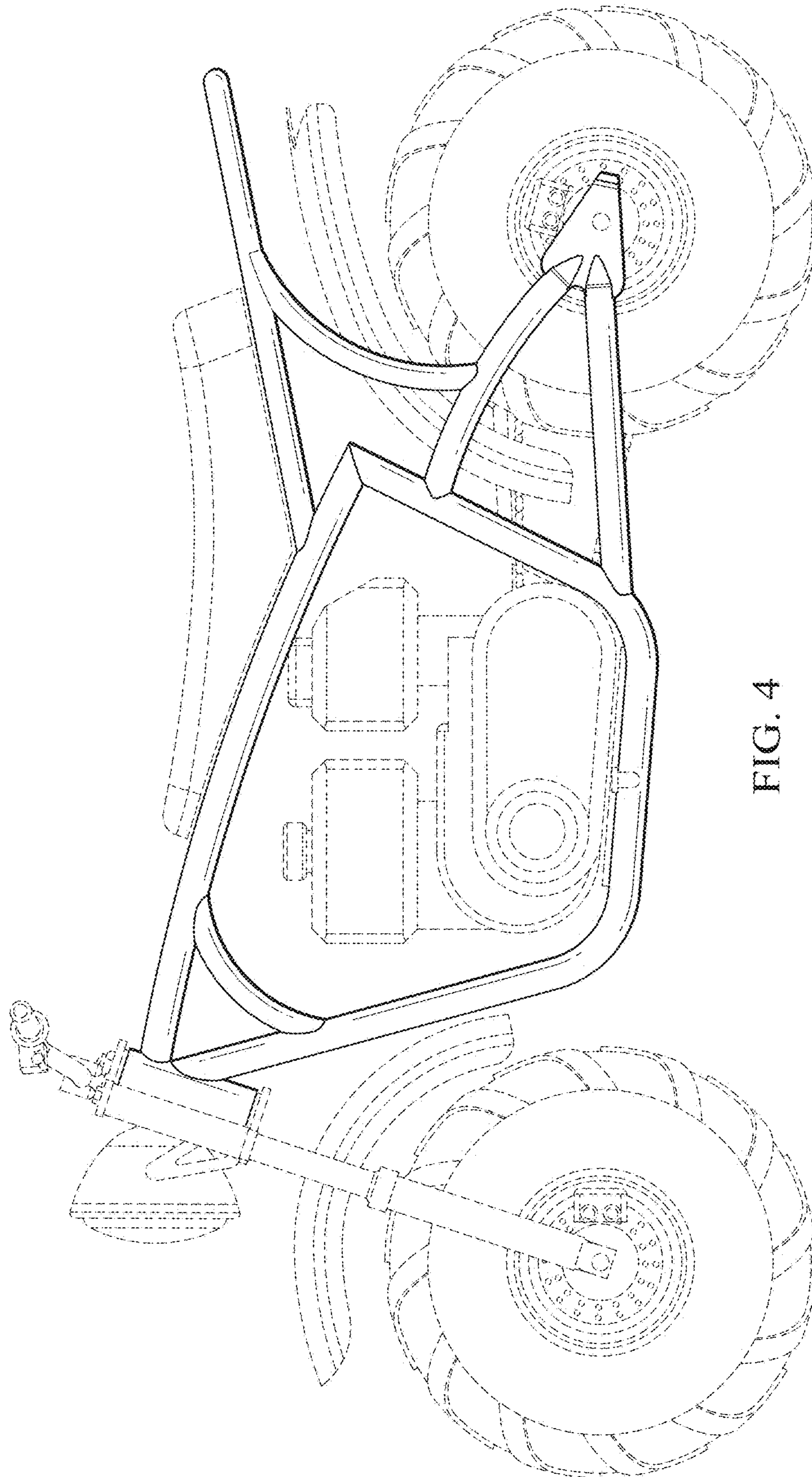


FIG. 4

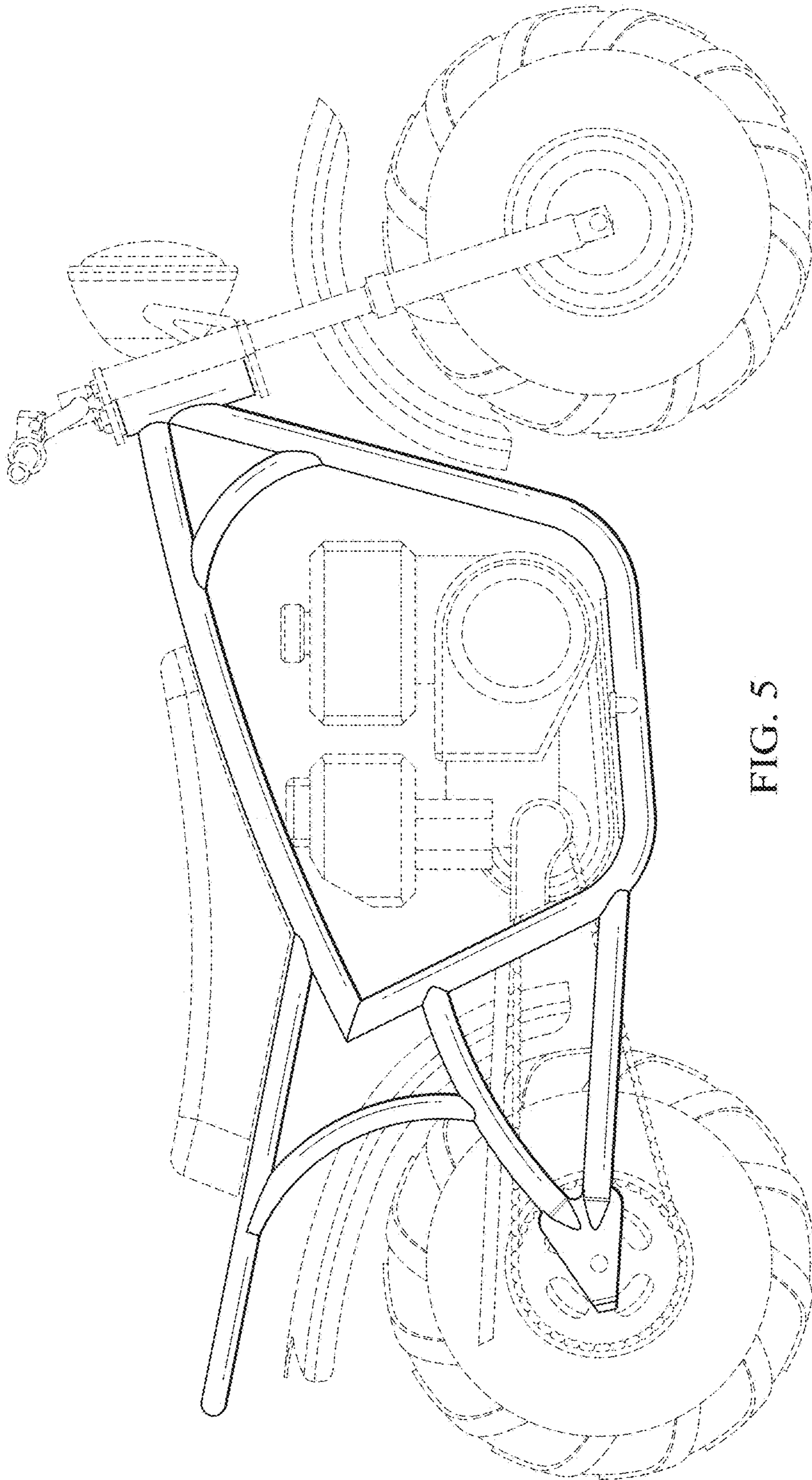


FIG. 5

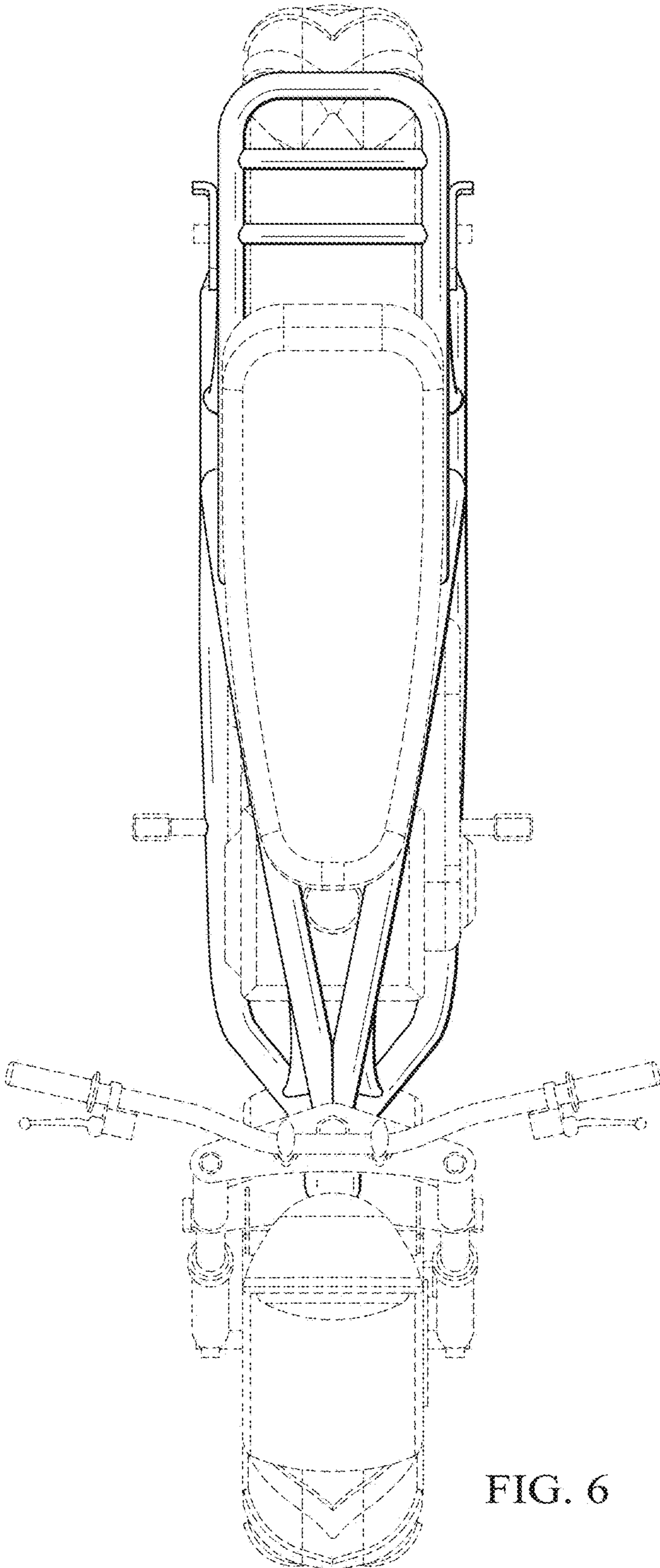


FIG. 6

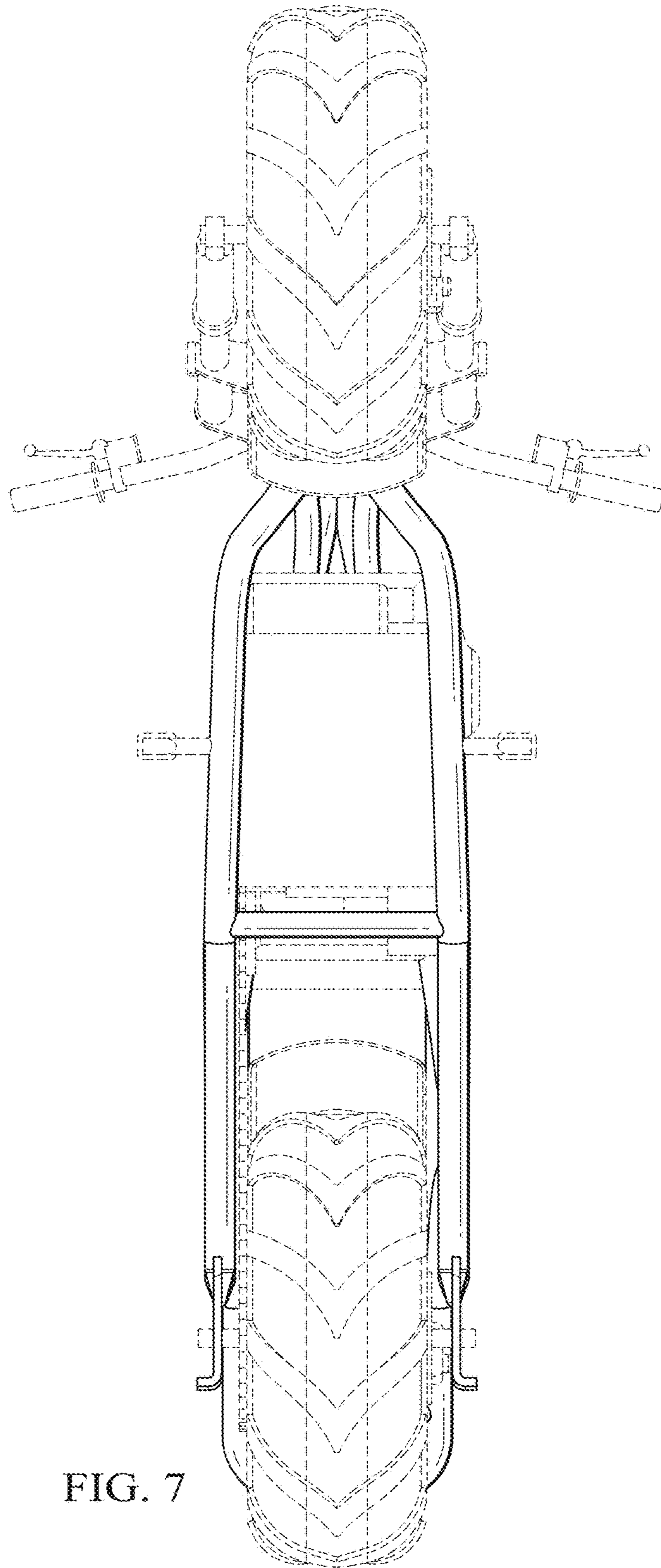


FIG. 7

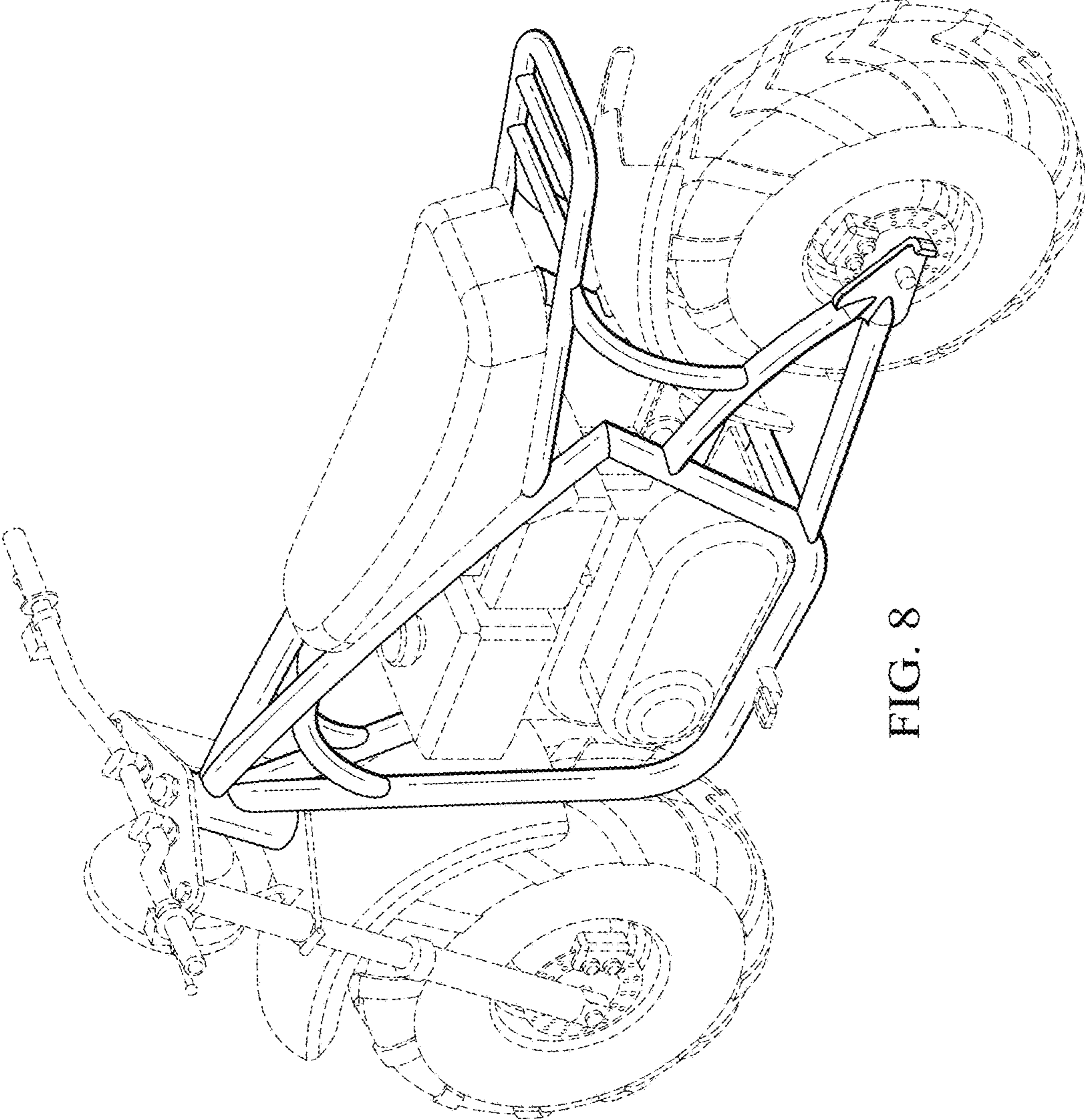


FIG. 8