



US00D824287S

(12) **United States Design Patent**
Cartabiano et al.

(10) **Patent No.:** **US D824,287 S**

(45) **Date of Patent:** **** Jul. 31, 2018**

(54) **MOTOR VEHICLE AND/OR TOY REPLICA THEREOF**

(71) Applicants: **Ian Richard Cartabiano**, Torrance, CA (US); **Takahiro Kanno**, Toyota (JP)

(72) Inventors: **Ian Richard Cartabiano**, Torrance, CA (US); **Takahiro Kanno**, Toyota (JP)

(73) Assignee: **Toyota Jidosha Kabushiki Kaisha**, Toyota-shi, Aichi-ken (JP)

(**) Term: **15 Years**

(21) Appl. No.: **29/577,819**

(22) Filed: **Sep. 15, 2016**

(51) **LOC (11) Cl.** **12-08**

(52) **U.S. Cl.**
USPC **D12/92**

(58) **Field of Classification Search**
USPC D12/90-92, 164, 169, 196;
296/181.1-181.5; D21/548, 560
CPC B60Y 2306/01; B60K 11/085
See application file for complete search history.

(56) **References Cited**

U.S. PATENT DOCUMENTS

D473,824 S *	4/2003	Mori	D12/92
D500,710 S *	1/2005	Saito	D12/92
D620,985 S *	8/2010	Mochizuki	D12/92
D640,603 S *	6/2011	Ham	D12/92
D679,221 S *	4/2013	Tomatsu	D12/92
D685,293 S *	7/2013	Badstuebner	D12/82
D700,870 S *	3/2014	Jevremovic	D12/92
D702,597 S *	4/2014	Wada	D12/92
D703,584 S *	4/2014	Futschik	D12/92

D720,654 S *	1/2015	Baek	D12/92
D758,921 S *	6/2016	Hatton	D12/92
D762,527 S *	8/2016	Willing	D12/92
D776,012 S *	1/2017	Sterner	D12/92

OTHER PUBLICATIONS

Netcarshow.com. URL: <https://www.netcarshow.com/toyota/2016-avalon/>; Model: Toyota Avalon (2016); Mfg.: Toyota; available on at least Jun. 3, 2015.

Netcarshow.com, URL: https://www.netcarshow.com/honda/2014-accord_phev/; Model: Honda Accord Phev (2014); Mfg.: Honda; available on at least Jun. 3, 2015.

* cited by examiner

Primary Examiner — Garth Rademaker

Assistant Examiner — Melvin L Davis

(74) *Attorney, Agent, or Firm* — Finnegan, Henderson, Farabow, Garrett & Dunner, L.L.P.

(57) **CLAIM**

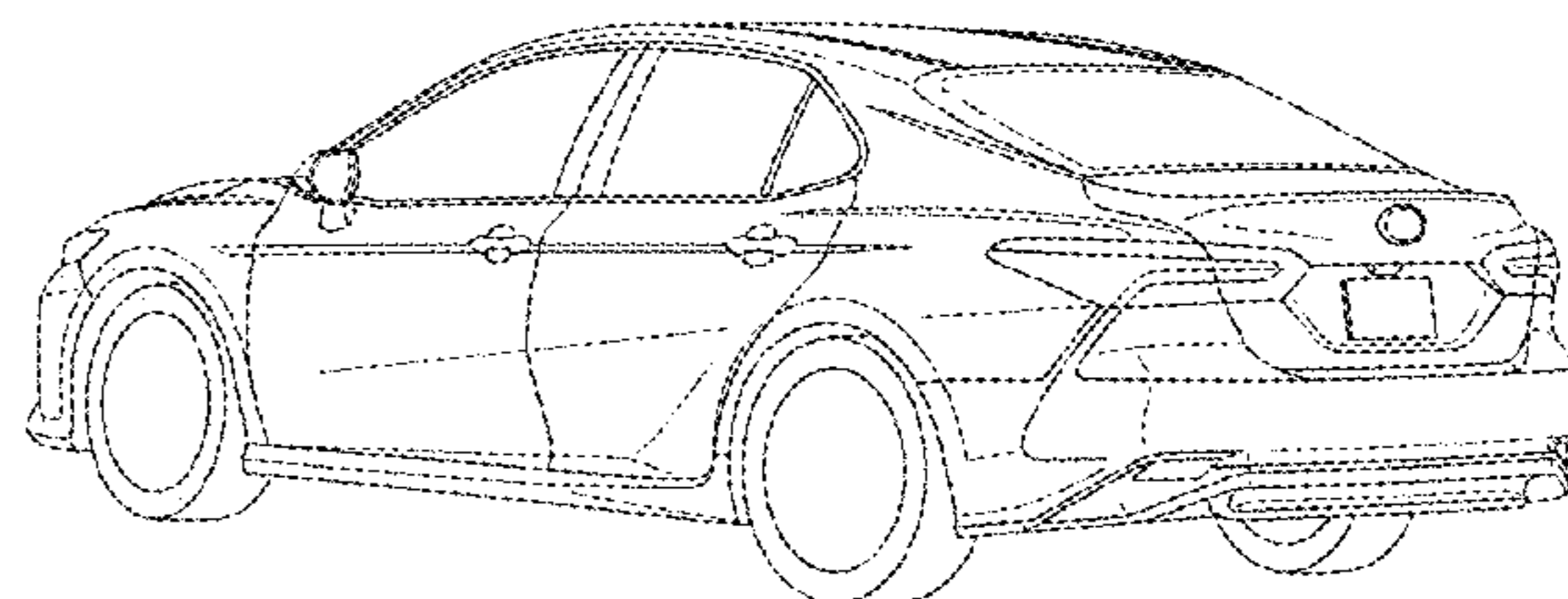
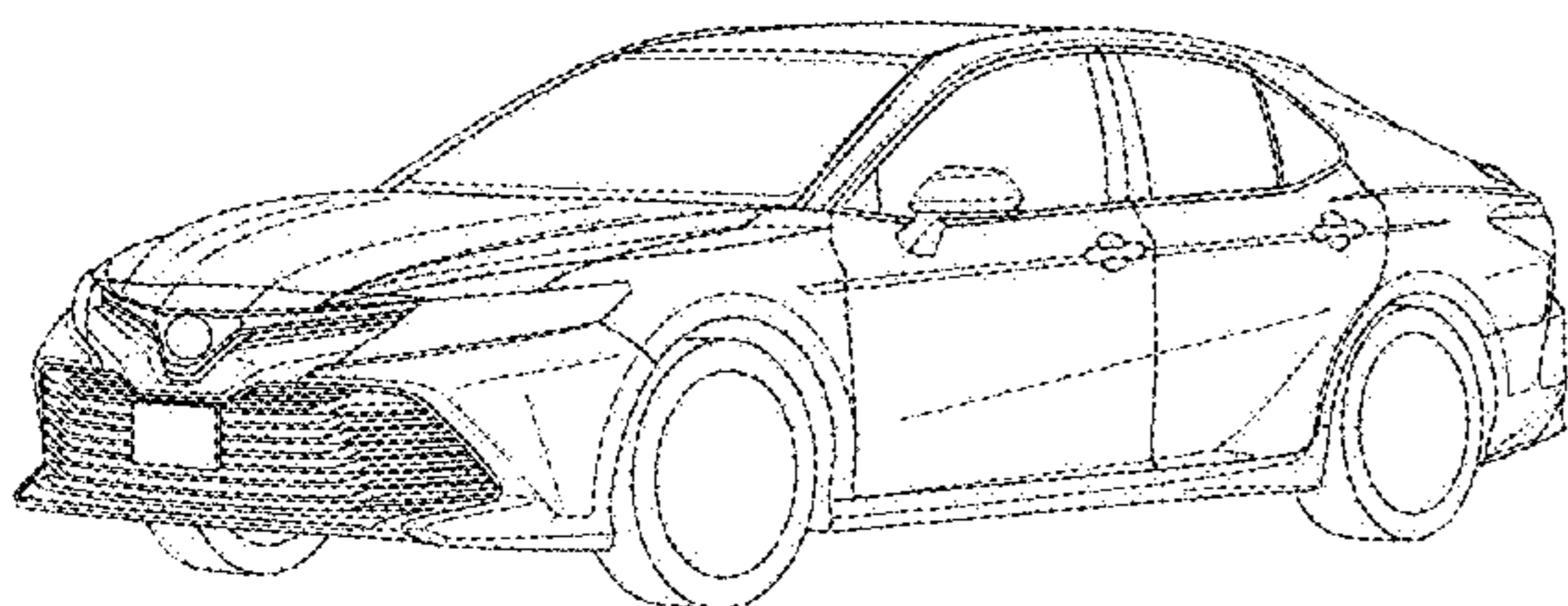
The ornamental design for a motor vehicle and/or toy replica thereof, as shown and described.

DESCRIPTION

FIG. 1 is a front left perspective view for a motor vehicle and/or toy replica showing our new design;
FIG. 2 is a rear left perspective view thereof;
FIG. 3 is a front right perspective view thereof;
FIG. 4 is a rear right perspective view thereof;
FIG. 5 is a front view thereof;
FIG. 6 is a rear view thereof;
FIG. 7 is a right side view thereof;
FIG. 8 is a left side view thereof; and,
FIG. 9 is a top view thereof.

The bottom view of the motor vehicle and/or toy replica forms no part of the claimed design.

1 Claim, 9 Drawing Sheets



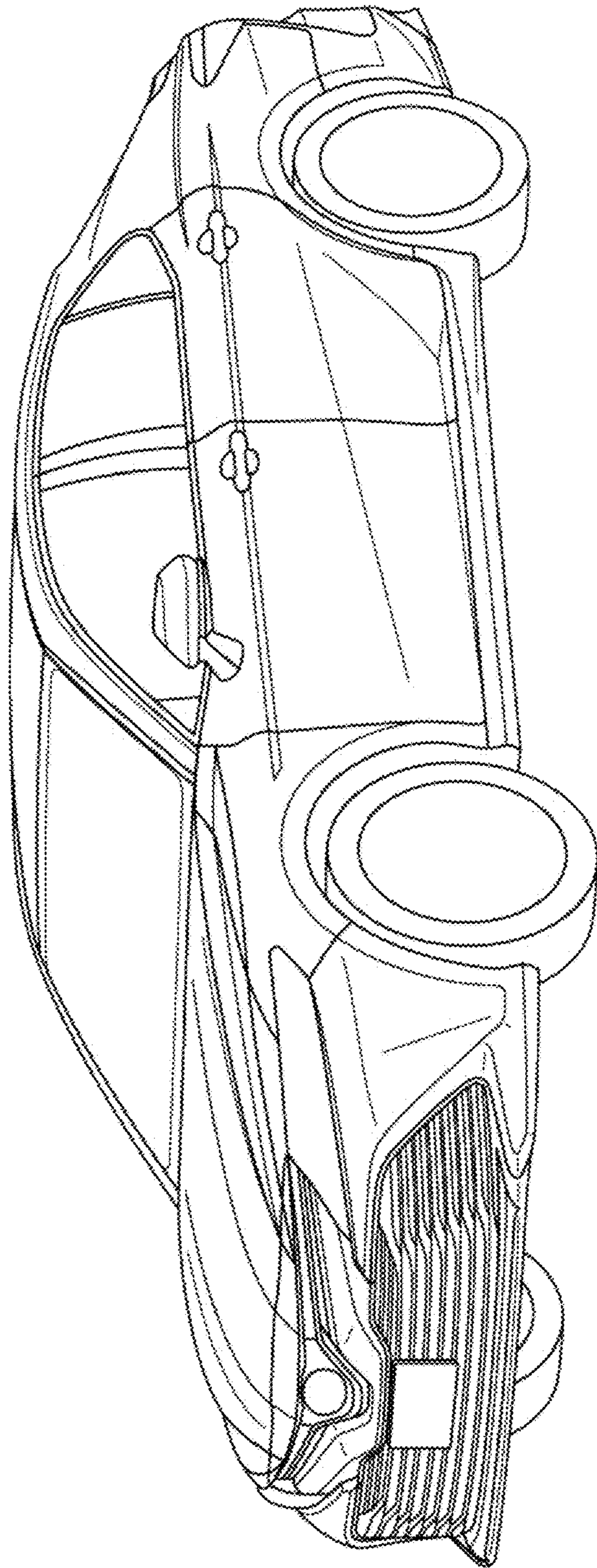


FIG. 1

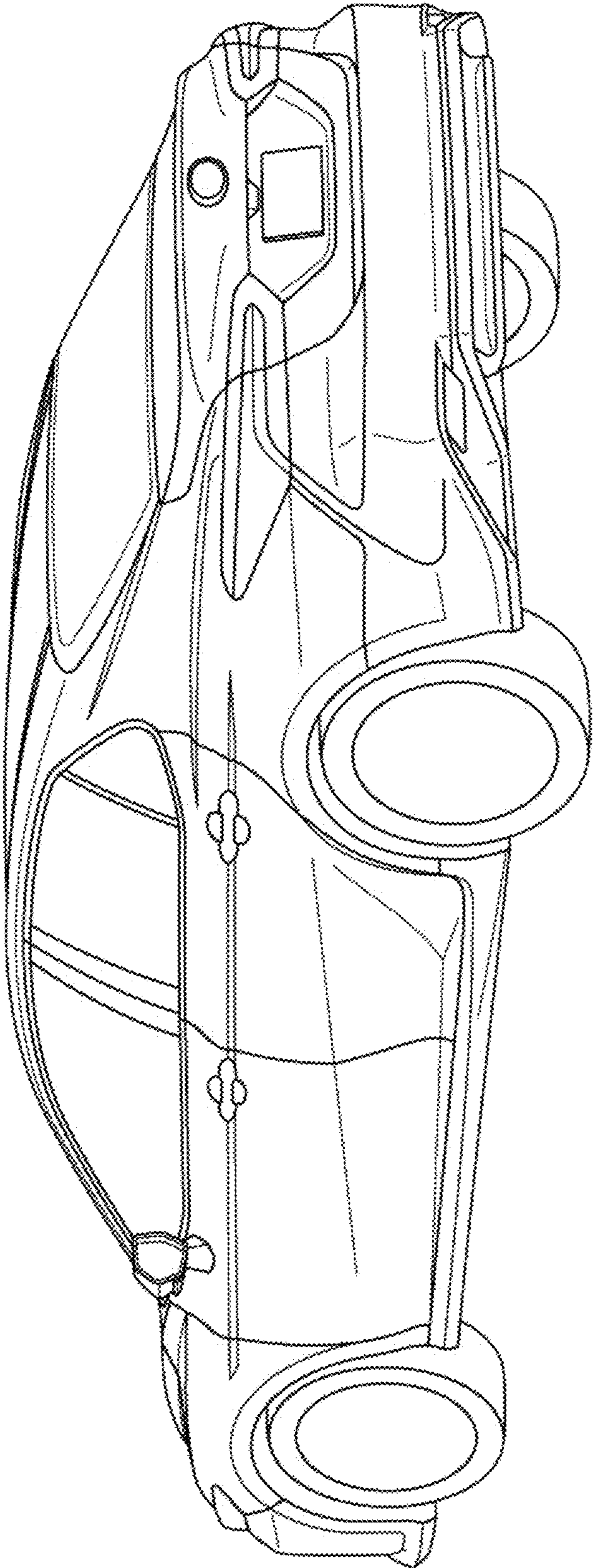


FIG. 2

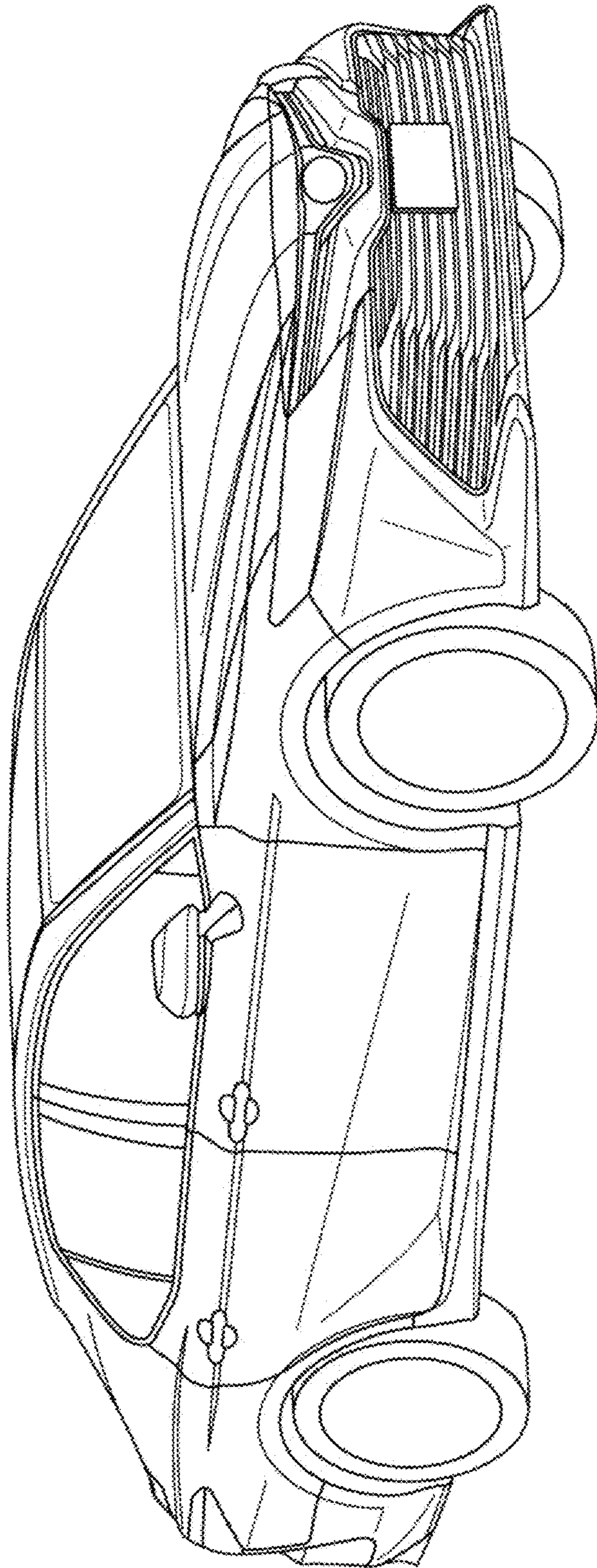


FIG. 3

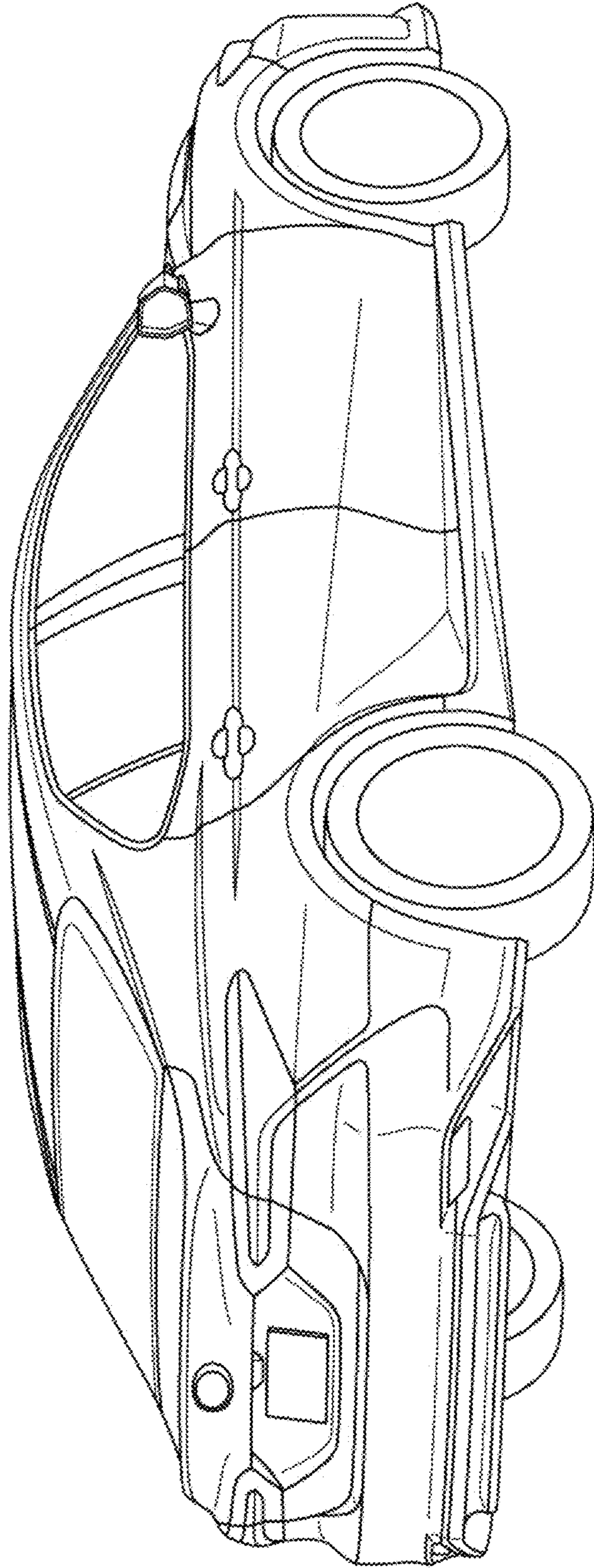


FIG. 4

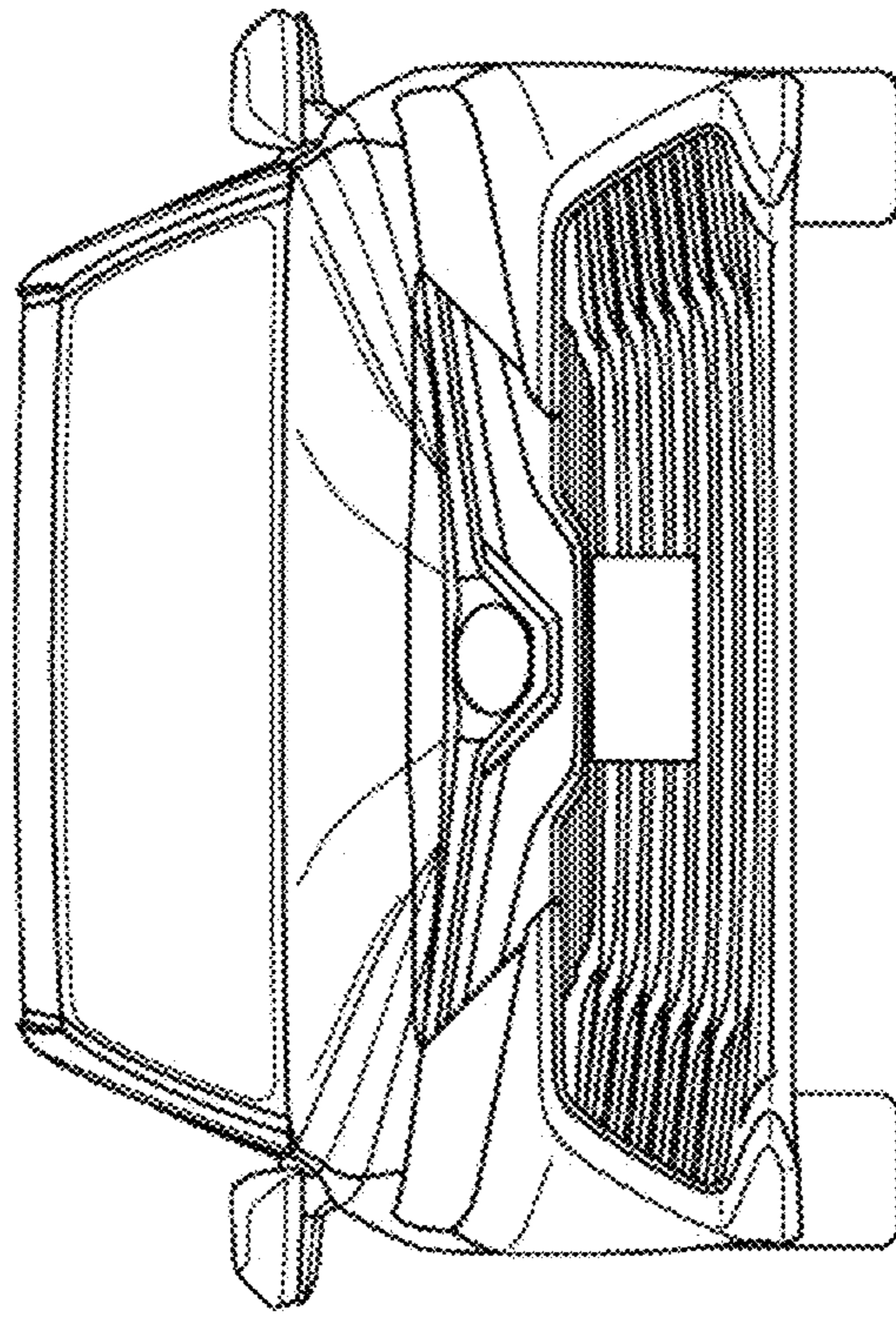


FIG. 5

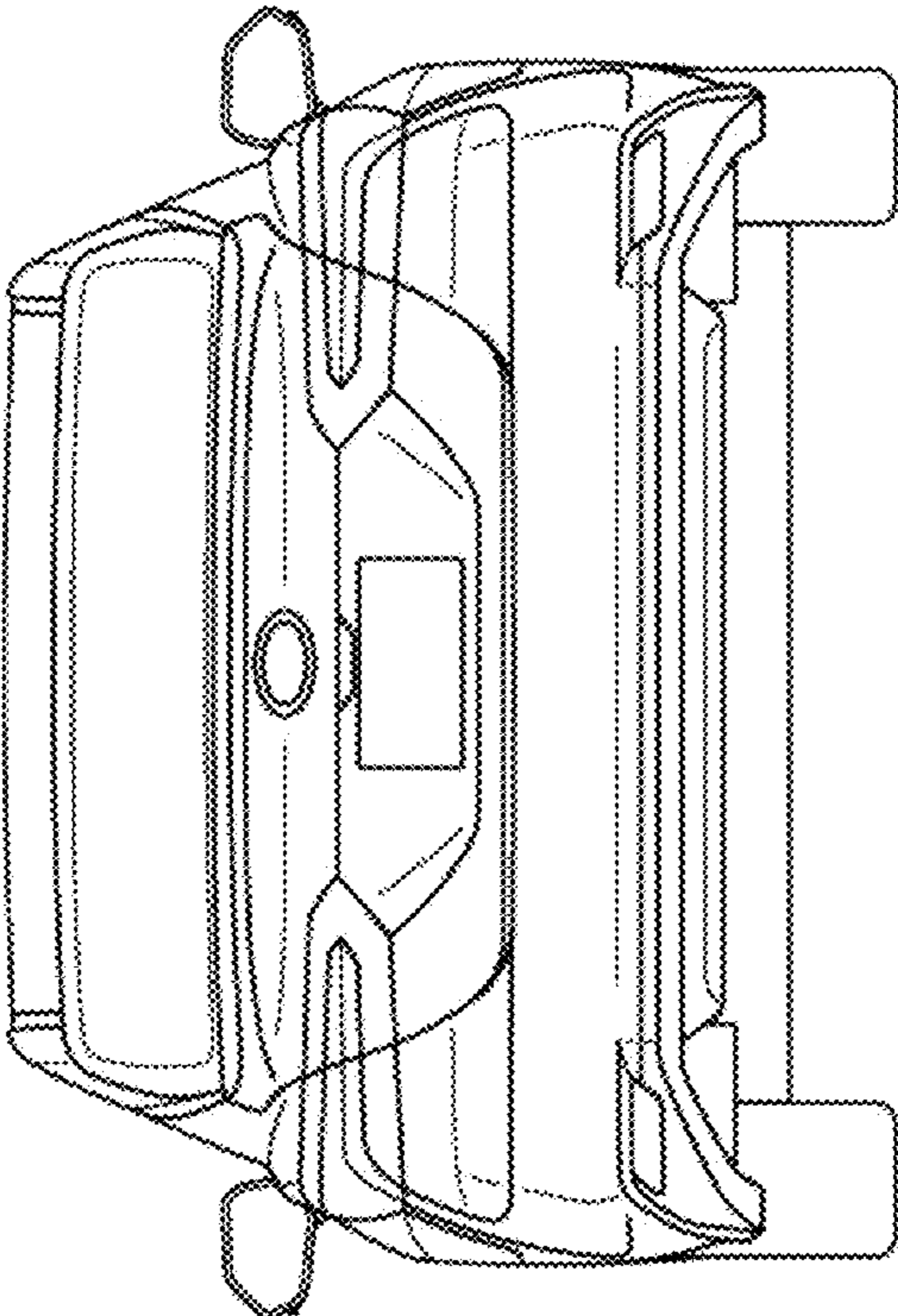


FIG. 6

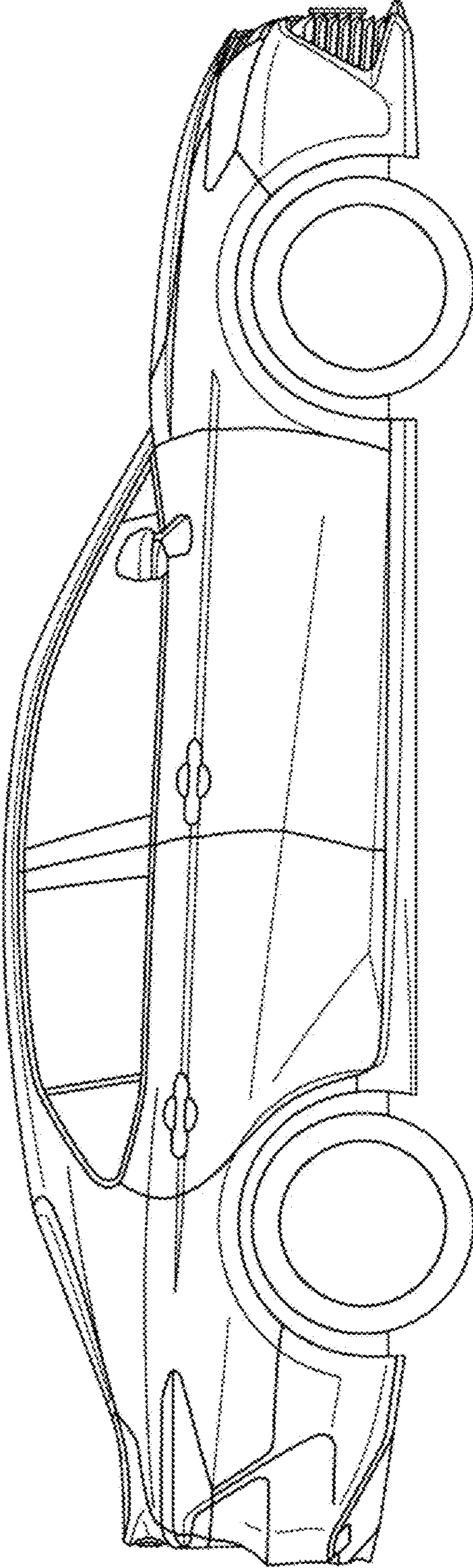


FIG. 7

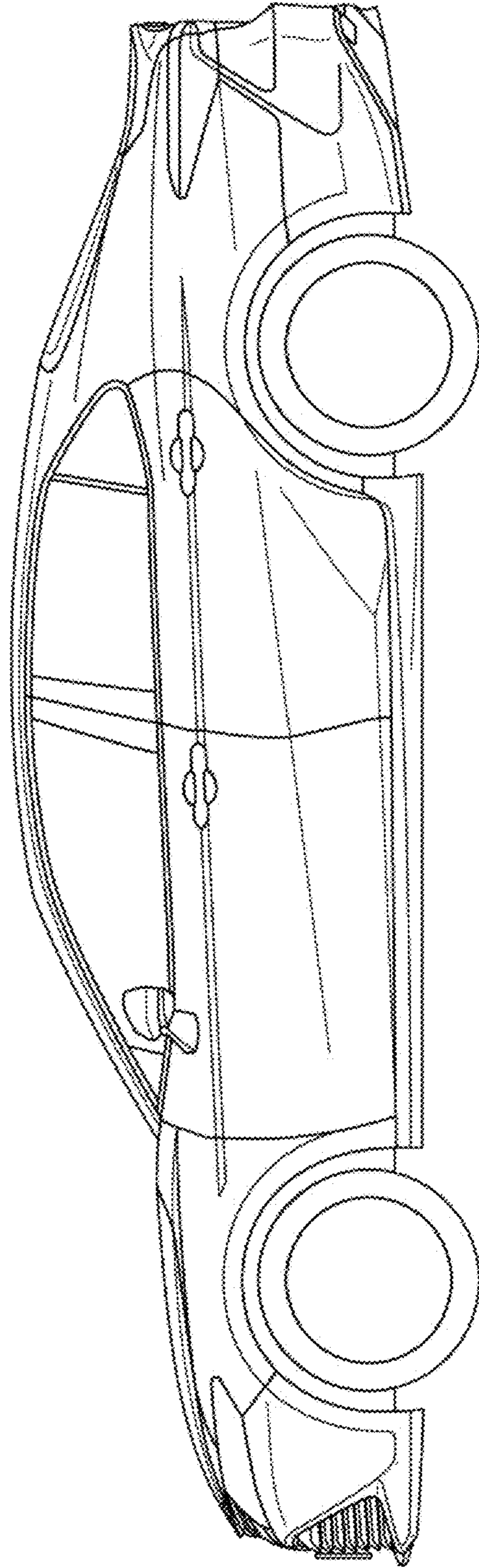


FIG. 8

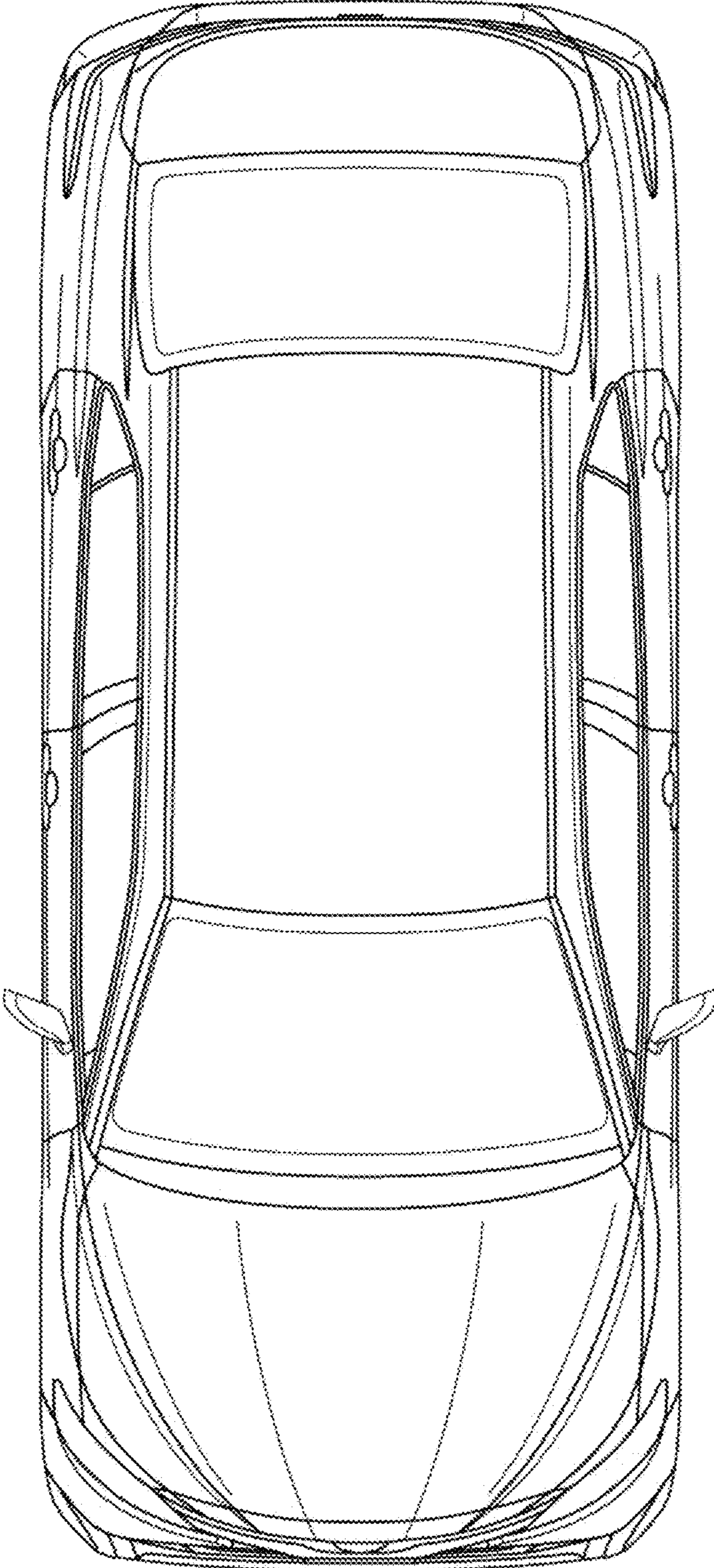


FIG. 9