



US00D824286S

(12) **United States Design Patent**
Hung et al.

(10) **Patent No.:** **US D824,286 S**
(45) **Date of Patent:** **** Jul. 31, 2018**

(54) **PAIR OF ZIPPER PARTS**

Primary Examiner — Ralf Seifert

(71) Applicant: **IDEAL FASTENER (GUANGDONG) INDUSTRIES LTD.**, Zhaoqing, Guangdong (CN)

(72) Inventors: **Franklin Chi Yen Hung**, Guangdong (CN); **Guoliang Qiu**, Guangdong (CN); **Wei Qiu**, Guangdong (CN); **Zongjian Lyu**, Guangdong (CN); **Fukang Wu**, Guangdong (CN); **Jianan Zeng**, Guangdong (CN)

(57) **CLAIM**

The ornamental design for a pair of zipper parts, as shown and described.

(73) Assignee: **IDEAL FASTENER (GUANGDONG) INDUSTRIES LTD.**, Zhaoqing (CN)

DESCRIPTION

(**) Term: **15 Years**

FIG. 1 is a front elevational view of one part of a pair of zipper parts showing our new design; FIG. 2 is a rear elevational view of FIG. 1; FIG. 3 is a left side view of FIG. 1; FIG. 4 is a right side view of FIG. 1; FIG. 5 is a top plan view of FIG. 1; FIG. 6 is a bottom plan view of FIG. 1; FIG. 7 is a first perspective view of FIG. 1; FIG. 8 is a second perspective view of FIG. 1; FIG. 9 is a third perspective view of FIG. 1; FIG. 10 is a front elevational view of the other part of the pair of zipper parts showing our new design; FIG. 11 is a rear elevational view of FIG. 10; FIG. 12 is a left side view of FIG. 10; FIG. 13 is a right side view of FIG. 10; FIG. 14 is a top plan view of FIG. 10; FIG. 15 is a bottom plan view of FIG. 10; FIG. 16 is a first perspective view of FIG. 10; FIG. 17 is a second perspective view of FIG. 10; FIG. 18 is a third perspective view of FIG. 10; FIG. 19 is a first perspective view showing the pair of zipper parts in a use state; and, FIG. 20 is a second perspective view showing the pair of zipper parts in a use state. The broken lines in FIGS. 19-20 depict environment and are for illustrative purposes only and form no part of the claimed design.

(21) Appl. No.: **29/616,699**

(22) Filed: **Sep. 7, 2017**

(30) **Foreign Application Priority Data**

May 17, 2017 (CN) 2017 3 0181522

(51) **LOC (11) Cl.** **02-07**

(52) **U.S. Cl.**
USPC **D11/221**

(58) **Field of Classification Search**
USPC D11/200, 201, 221; 24/381-383, 24/385-389, 414-417, 421-422, 427-431, 24/433, 434; 2/265; D2/641, 642; 294/3.6; 223/118; D8/33, 34, 40
CPC A44B 19/00; A44B 19/02; A44B 19/04; A44B 19/10; A44B 19/26; A44B 19/30; A44B 19/06; A44B 19/34; A44B 19/40; A44B 19/52; A44B 19/36; A44B 19/38; G02C 3/003; A44H 37/06

See application file for complete search history.

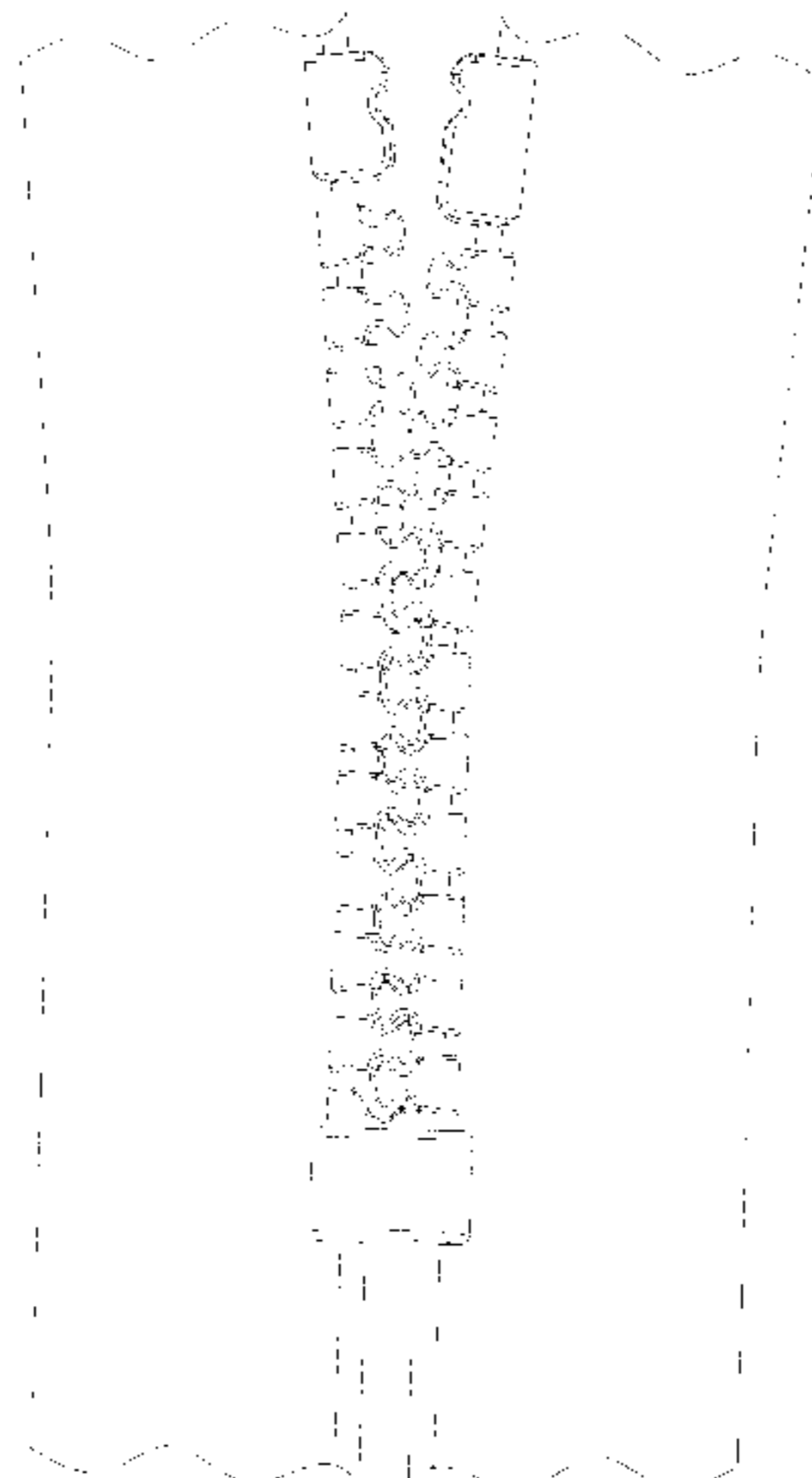
(56) **References Cited**

U.S. PATENT DOCUMENTS

2,660,774 A * 12/1953 Heimann A44B 19/04
24/412
2,701,401 A * 2/1955 Dorman A44B 19/36
24/404

(Continued)

1 Claim, 20 Drawing Sheets



(56)

References Cited

U.S. PATENT DOCUMENTS

D252,896 S * 9/1979 Jovin 24/410
D510,891 S * 10/2005 Cheng D11/221
D528,040 S * 9/2006 Cheng D11/221
D556,632 S * 12/2007 Cossutti D11/221
7,698,790 B2 * 4/2010 Holloway A44B 19/36
24/436
D628,123 S * 11/2010 Kojima D11/221
D632,218 S * 2/2011 Yamamoto D11/221
D643,778 S * 8/2011 Hasegawa D11/221
D644,564 S * 9/2011 Kojima D11/221
D673,077 S * 12/2012 Fujita D11/221
8,910,352 B2 * 12/2014 Nozaki A44B 19/38
24/415
9,480,311 B2 * 11/2016 Takani A44B 19/06
2007/0277353 A1 * 12/2007 Kondo A41F 1/002
24/403

* cited by examiner

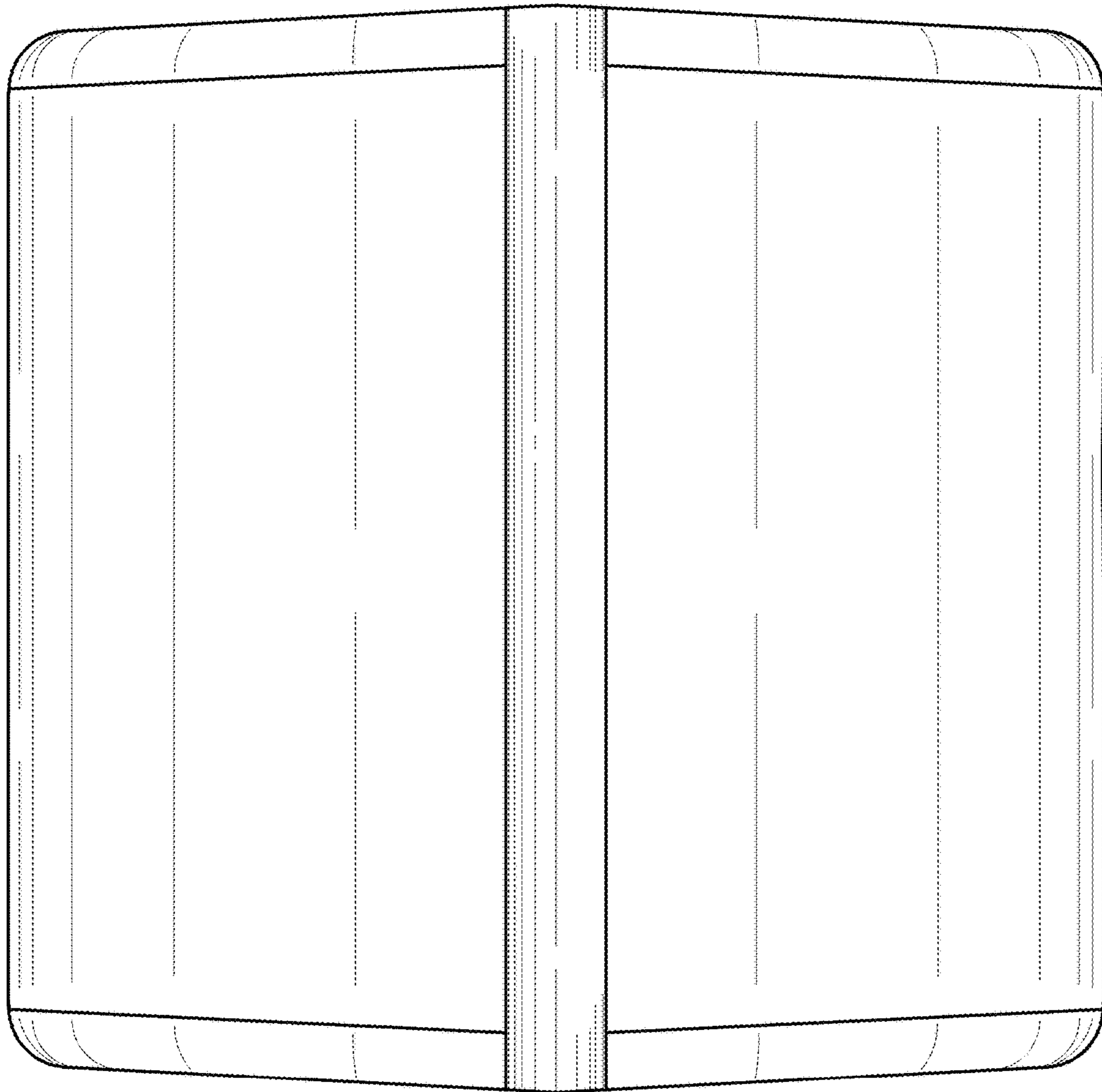


Fig.2

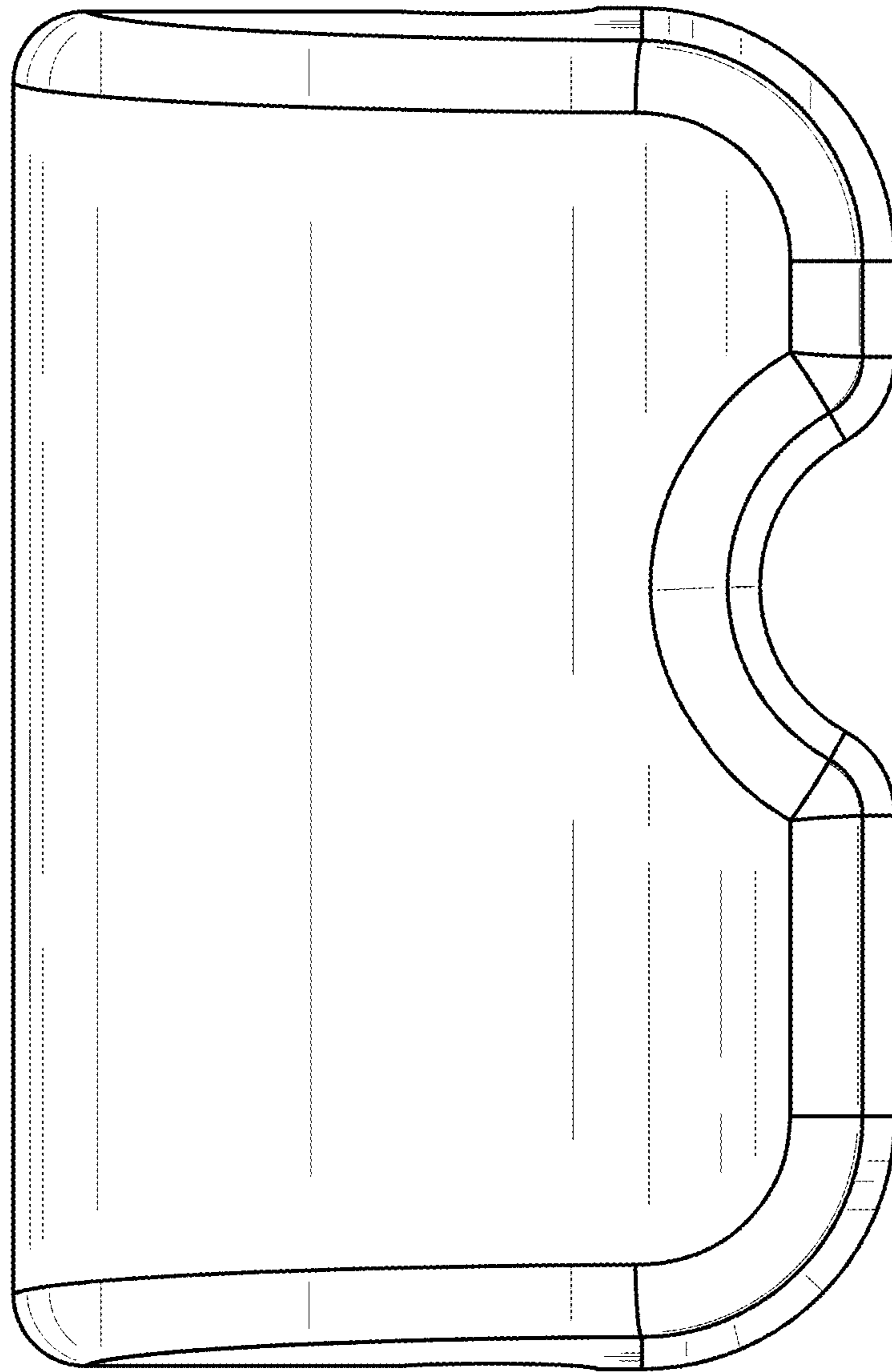


Fig.3

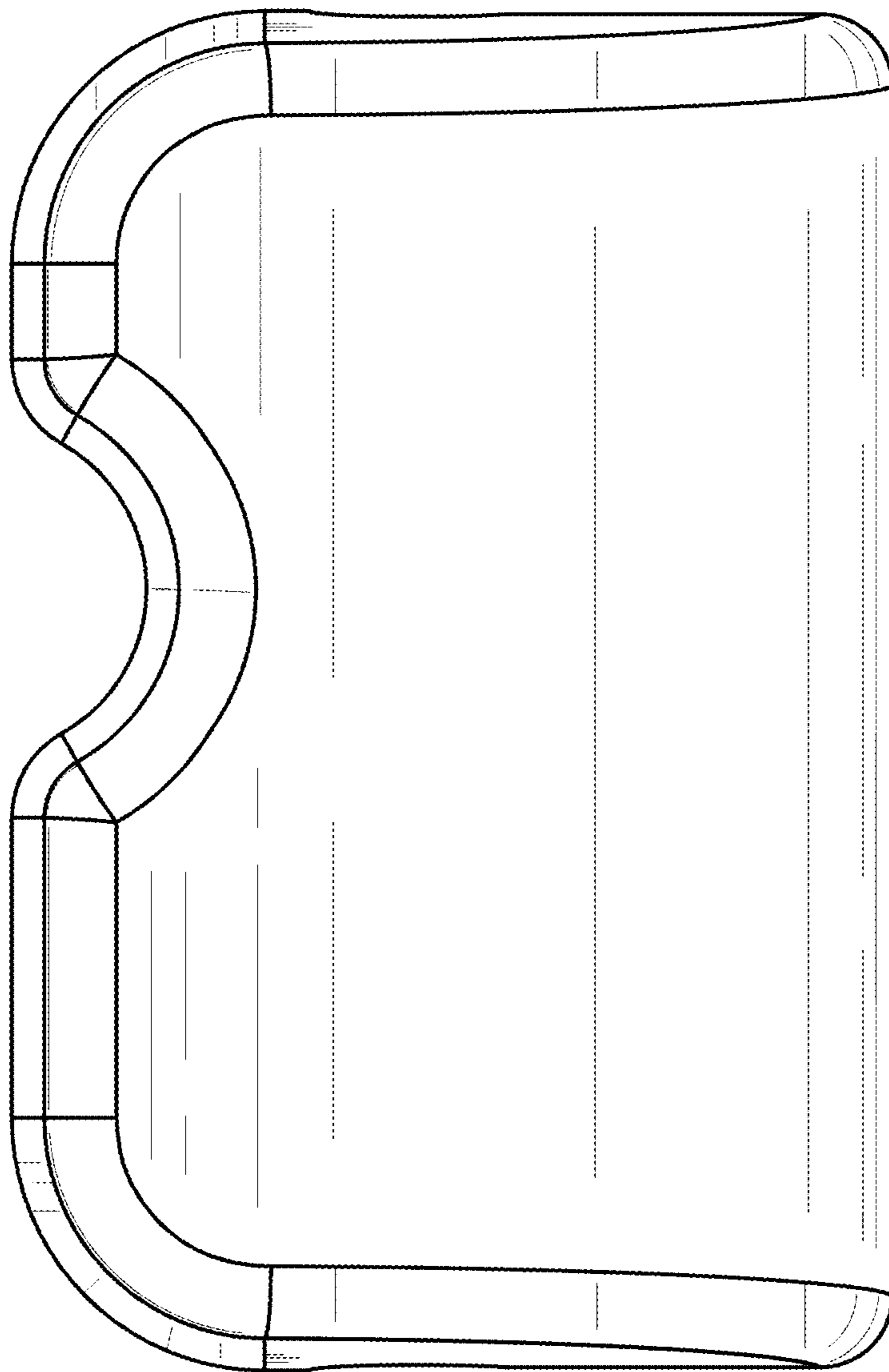


Fig.4

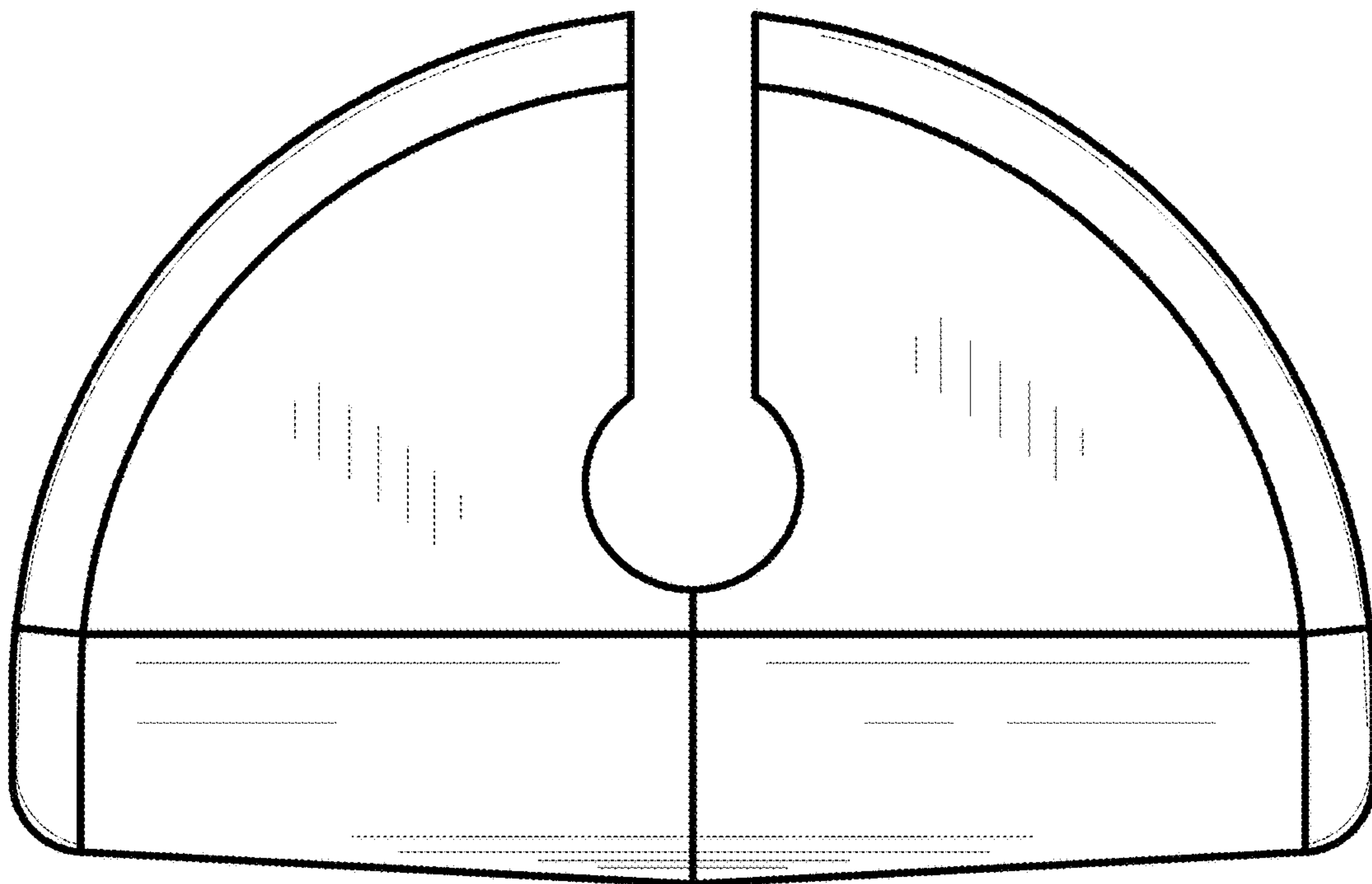


Fig.5

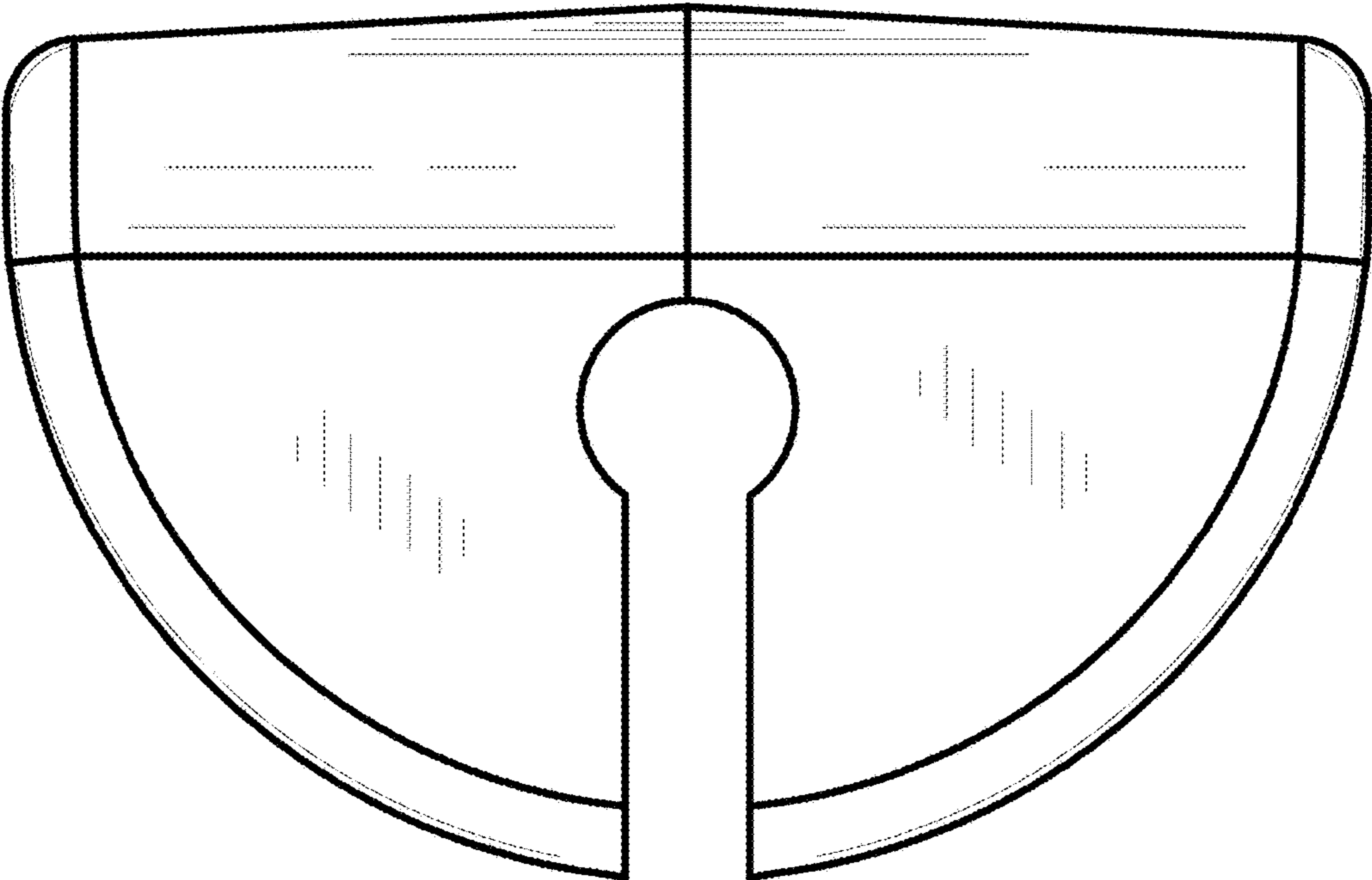


Fig.6

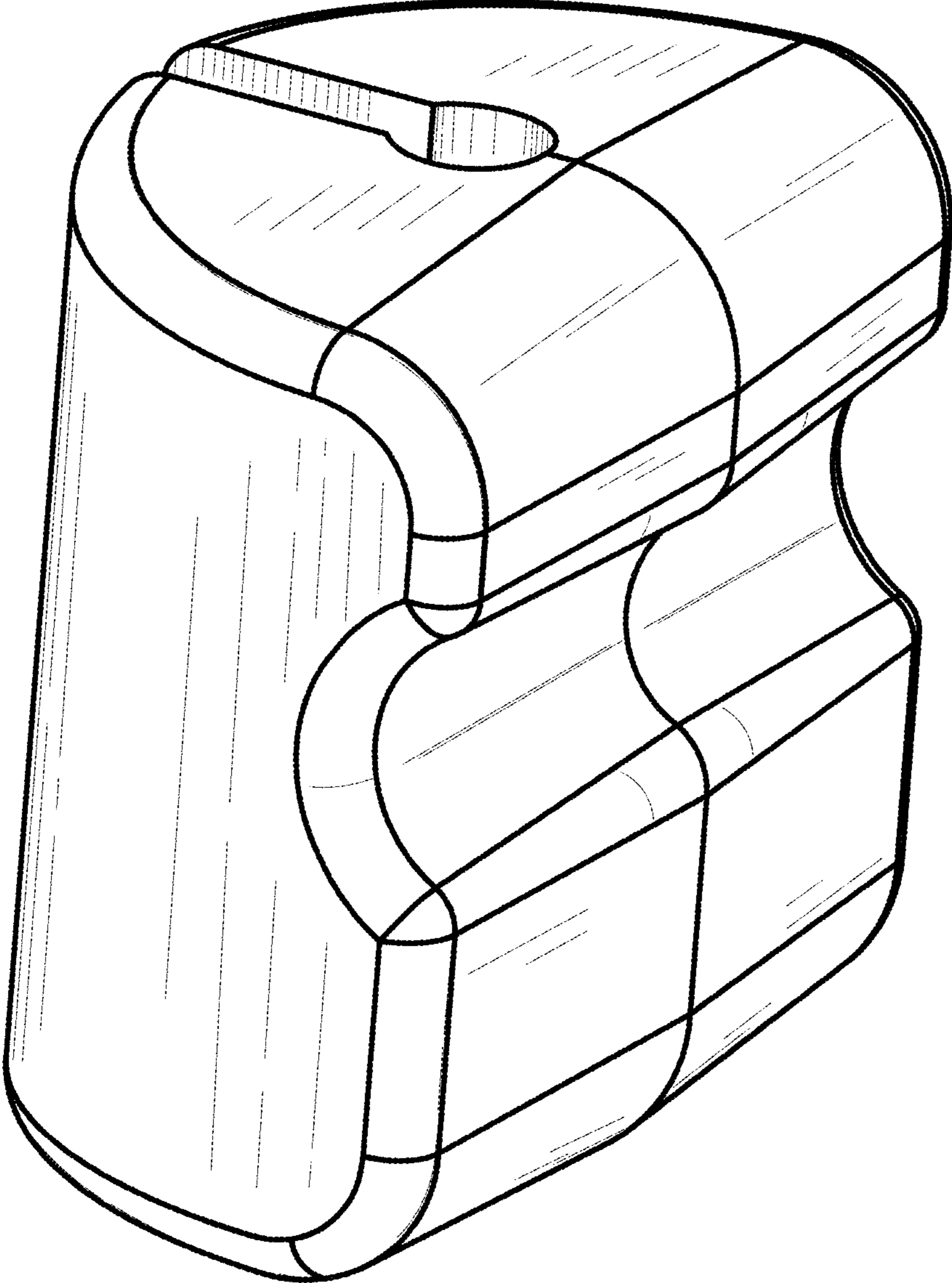


Fig.7

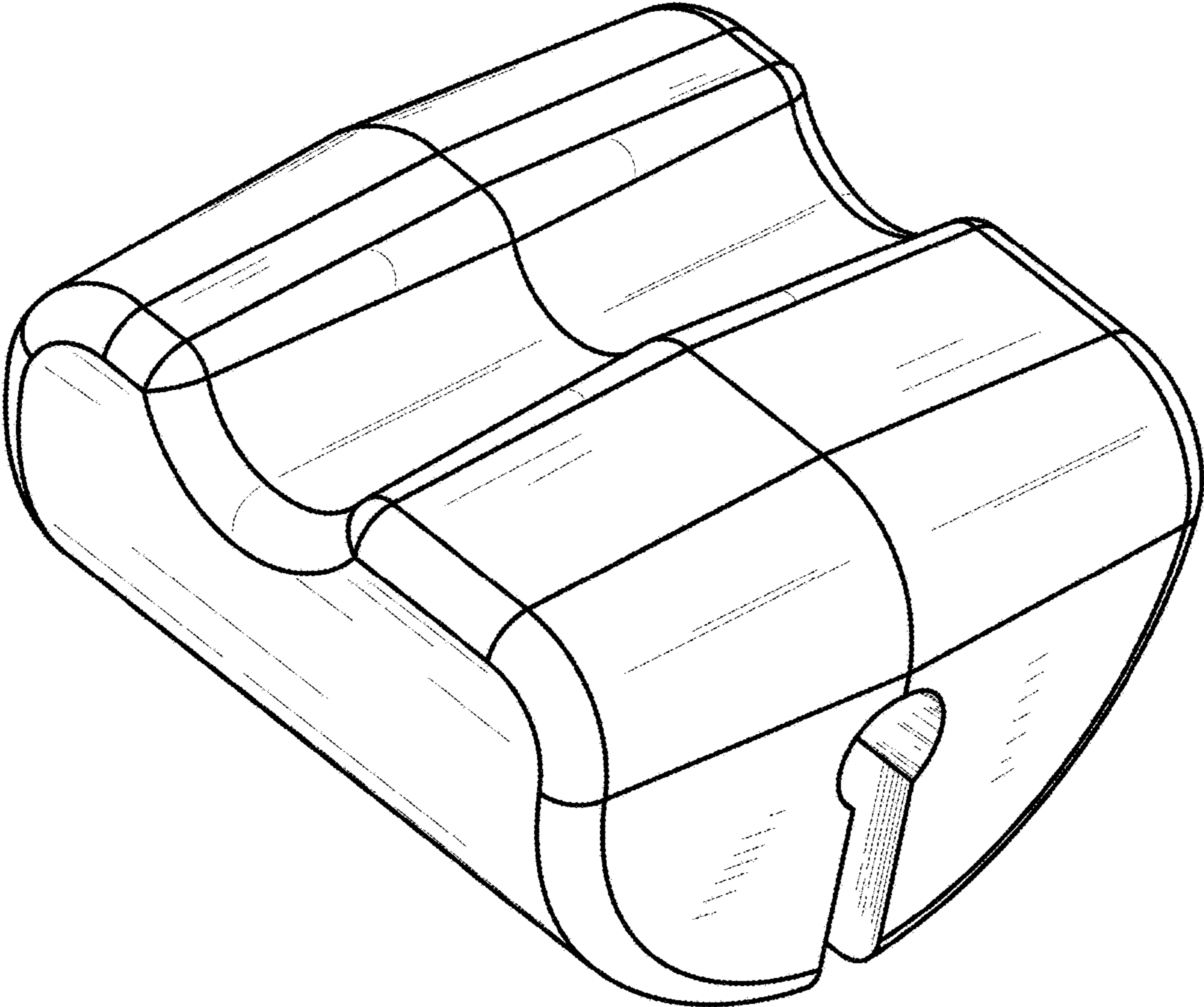


Fig.8

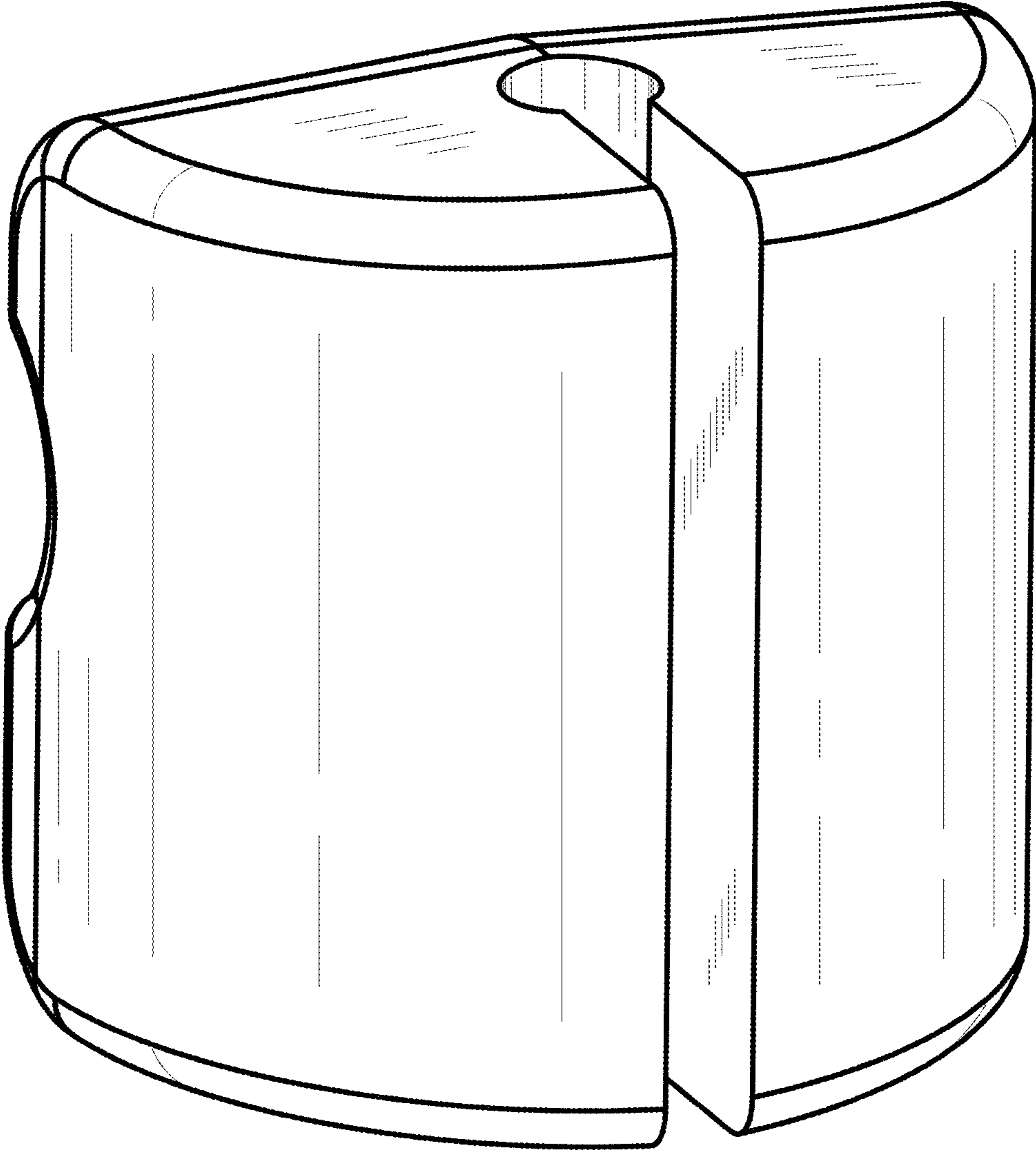


Fig.9

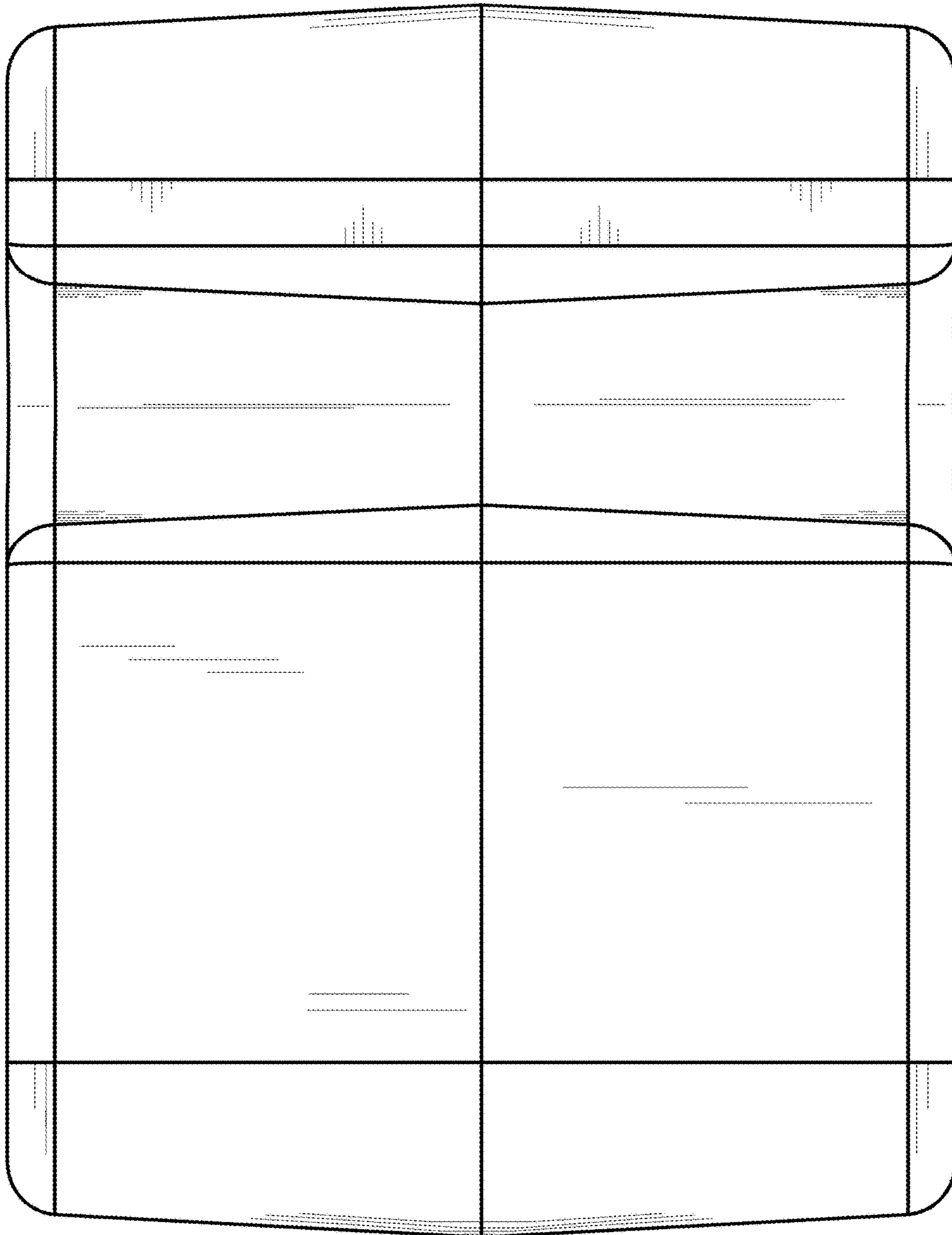


Fig.10

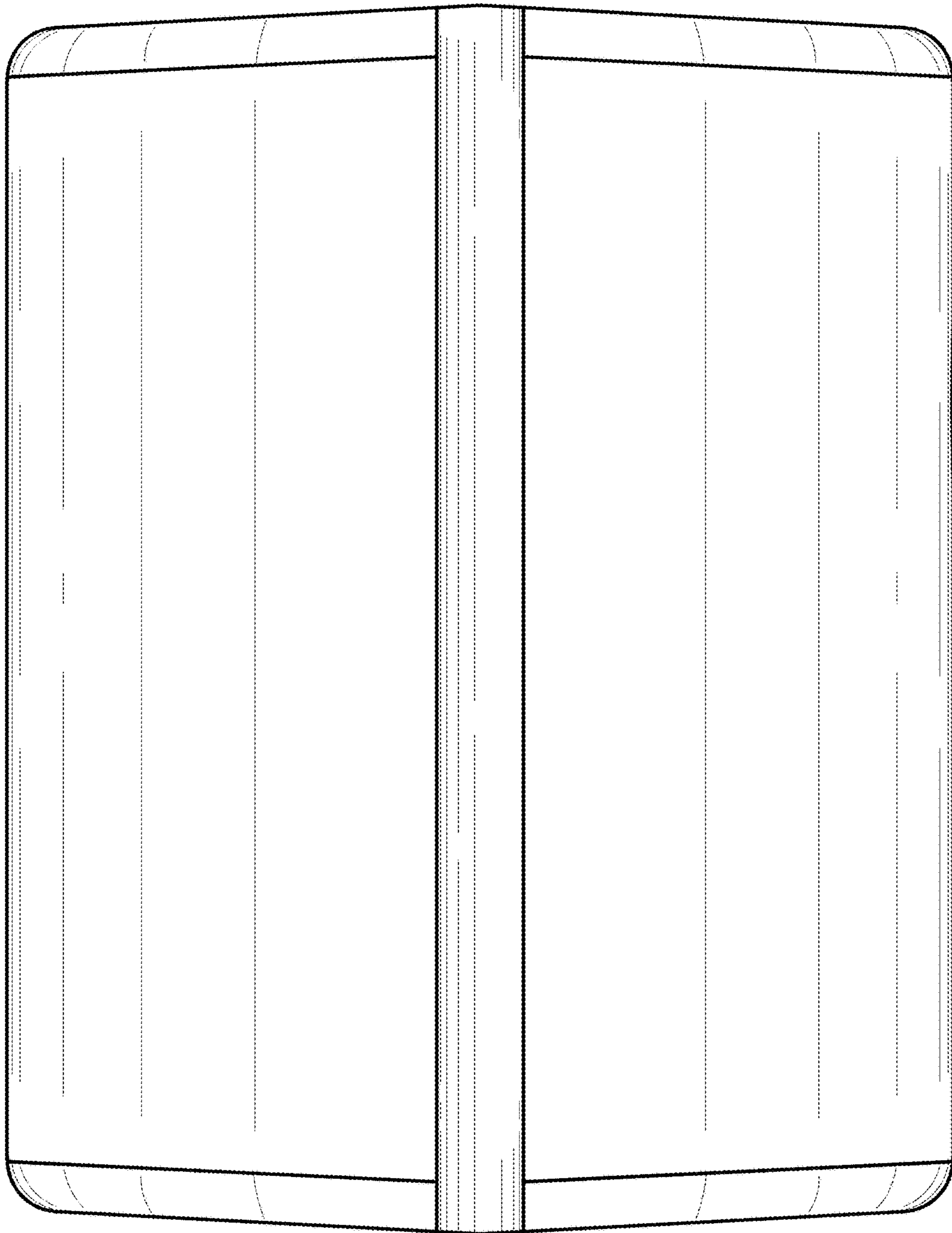


Fig.11

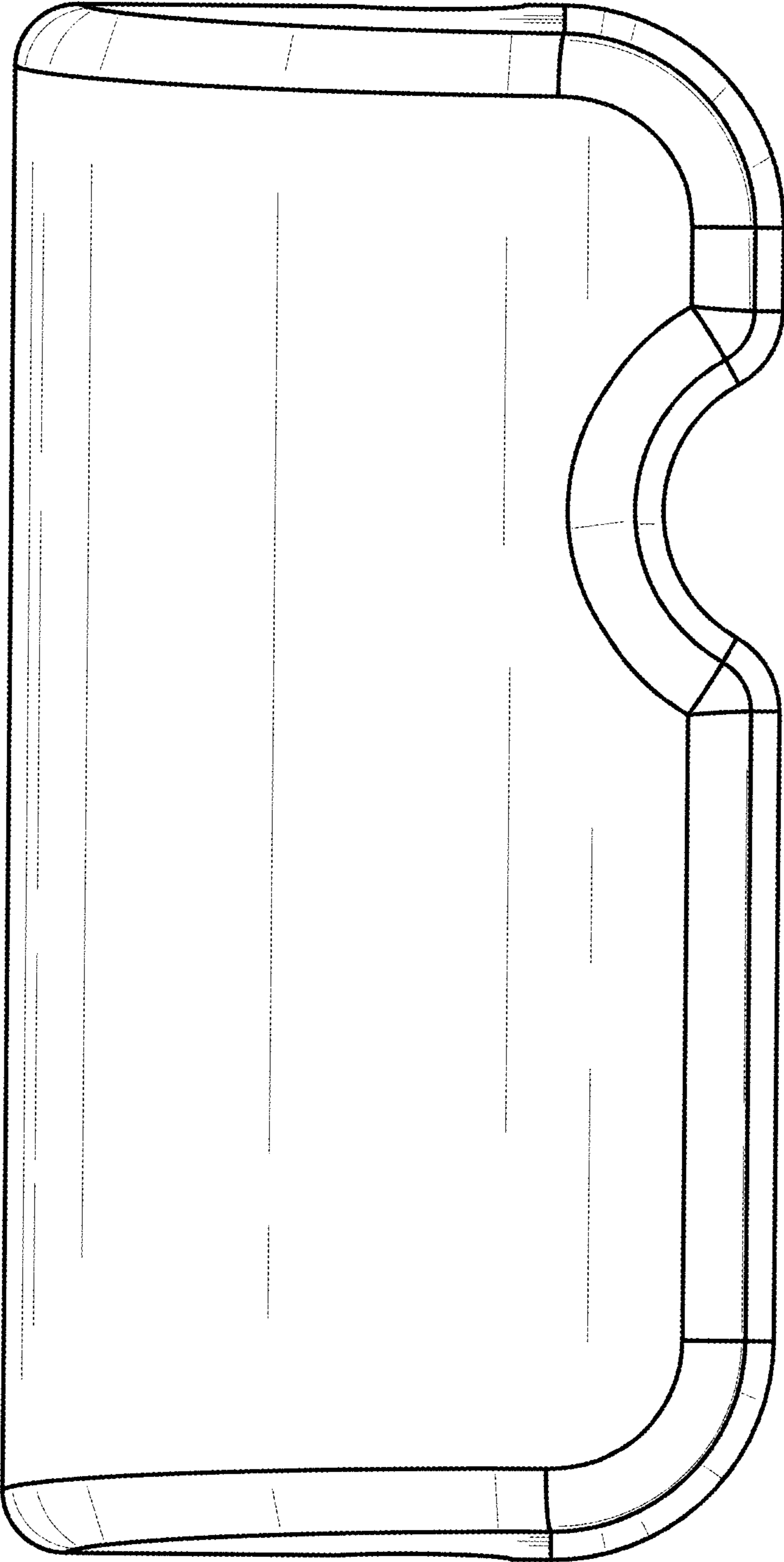


Fig.12

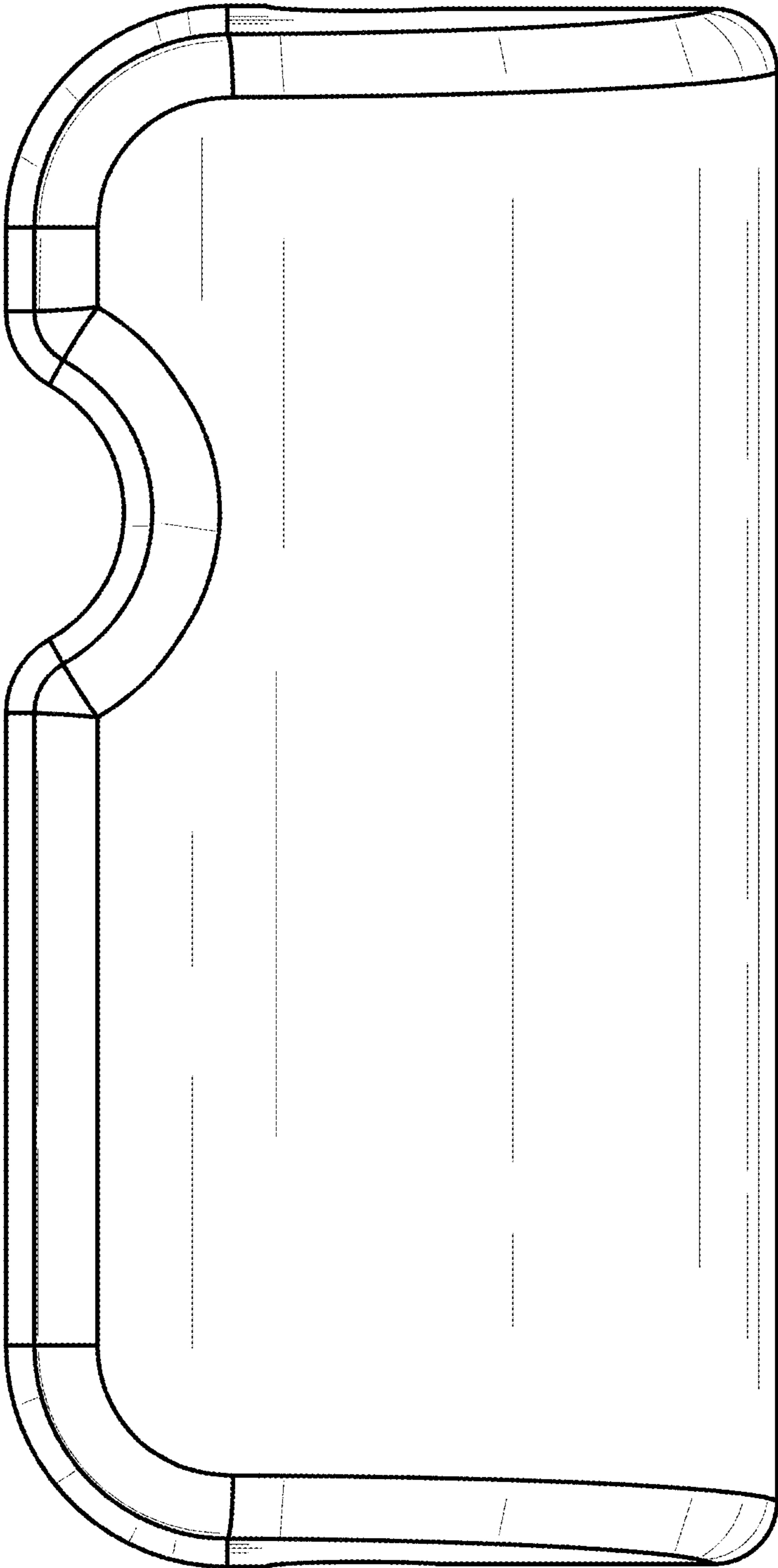


Fig.13

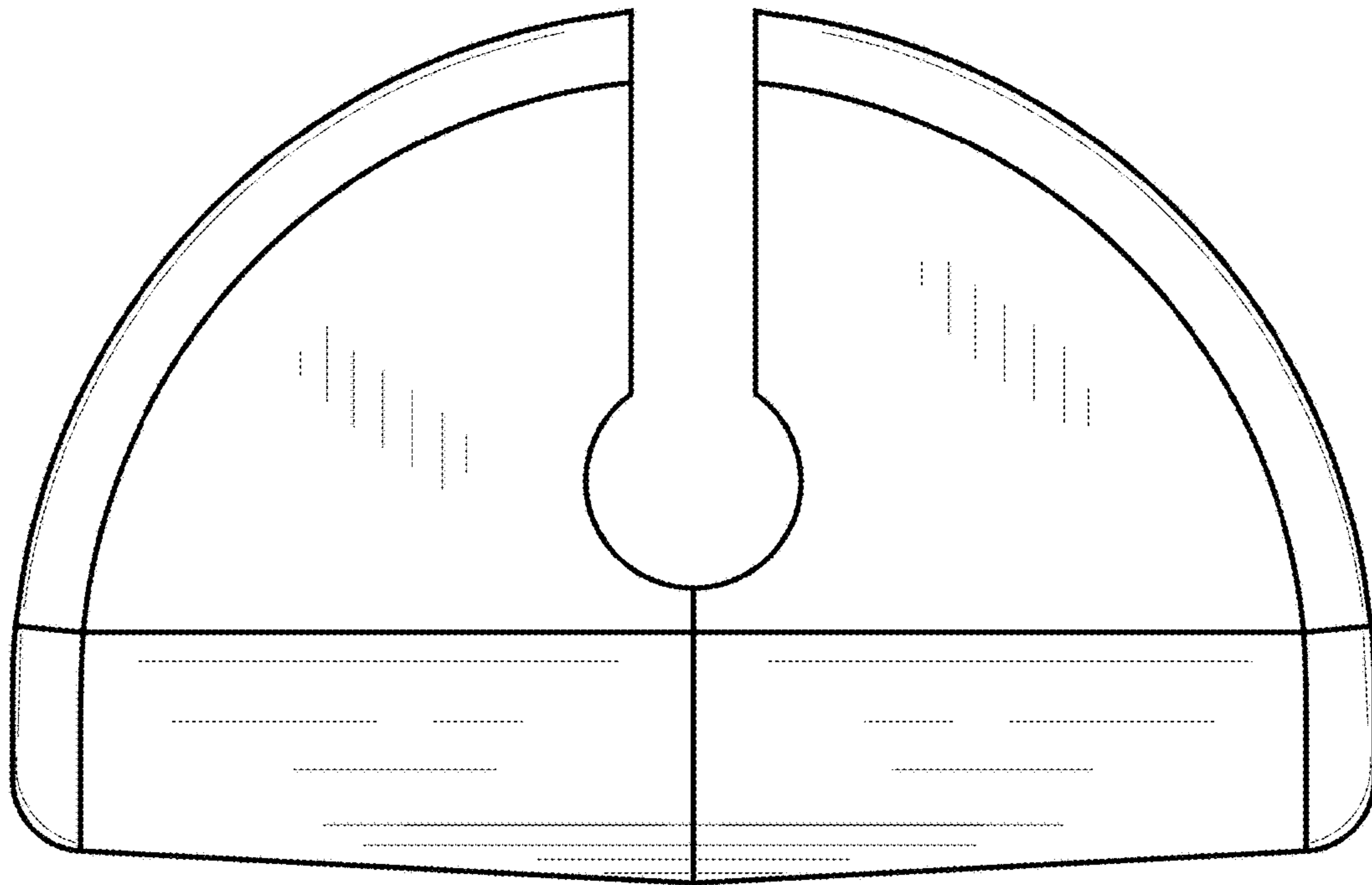


Fig.14

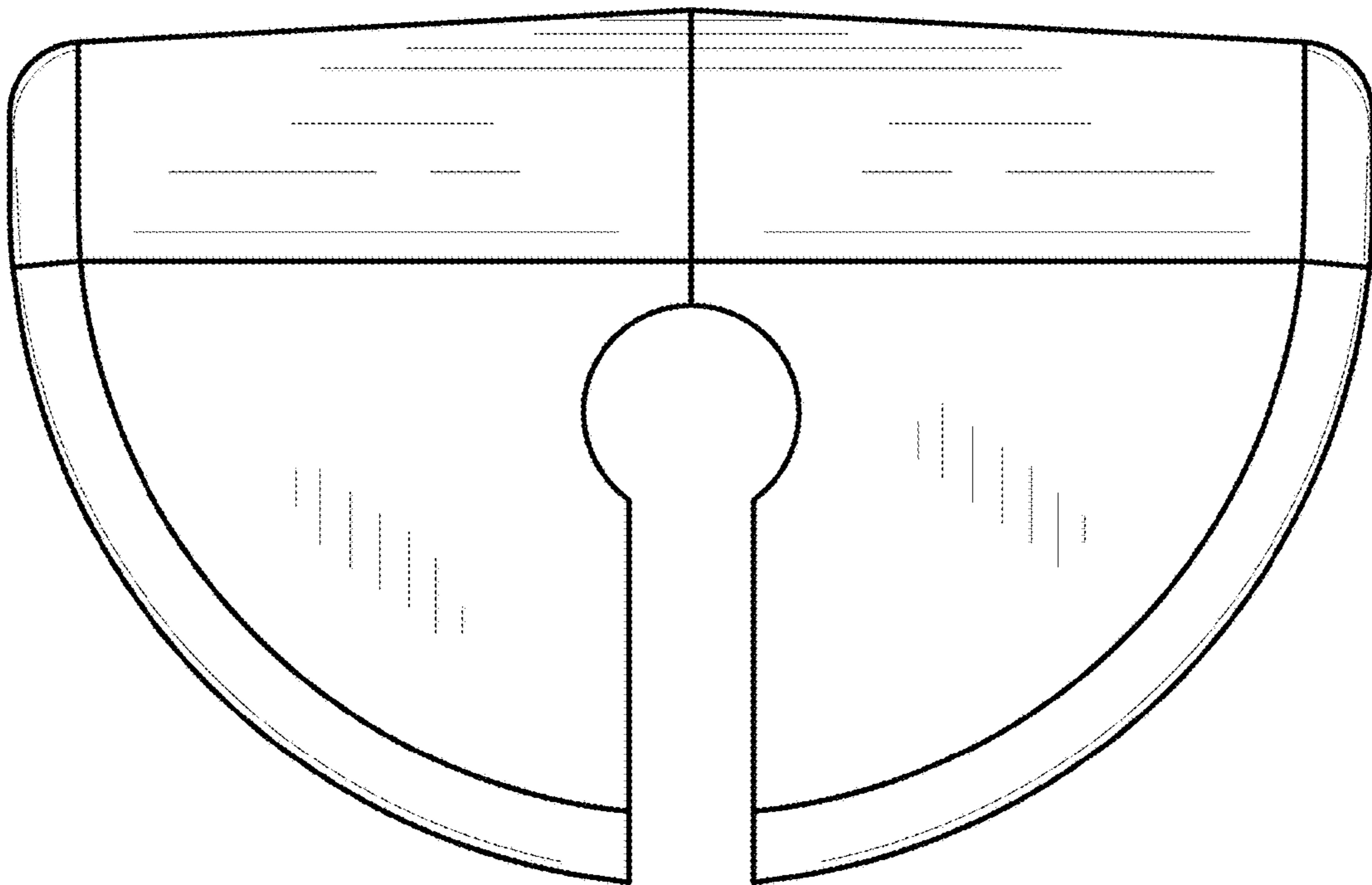


Fig.15

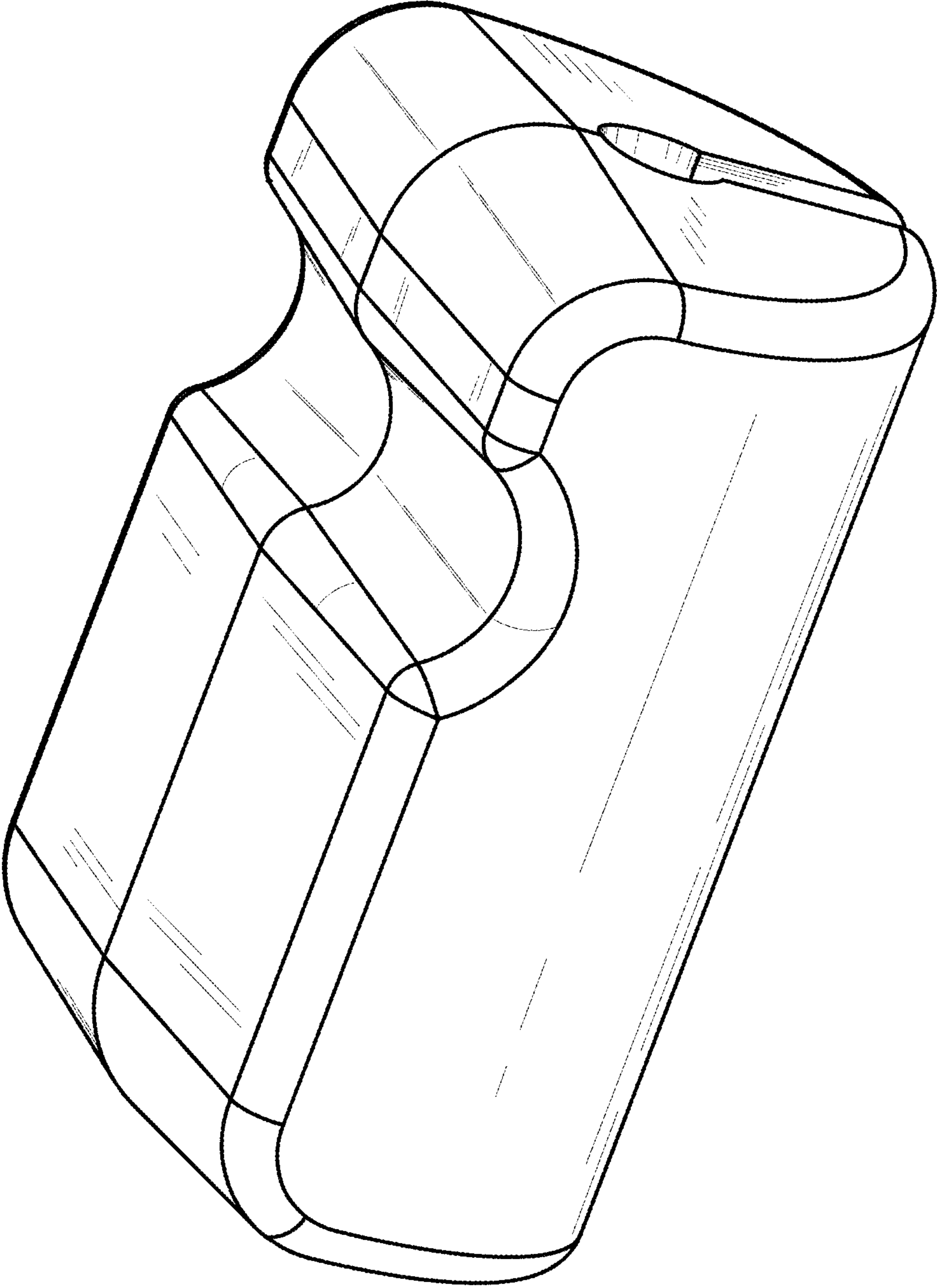


Fig.16

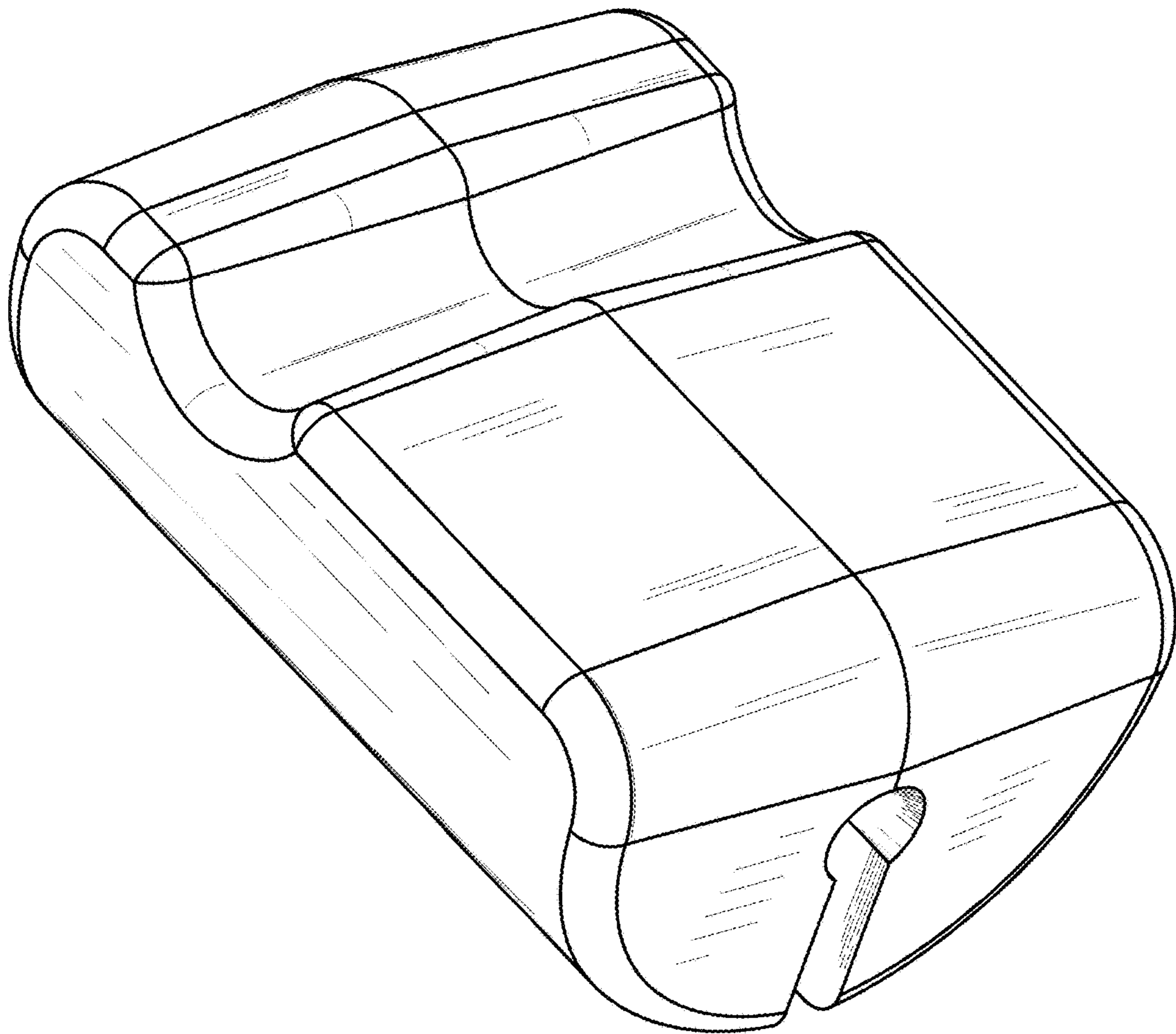


Fig.17

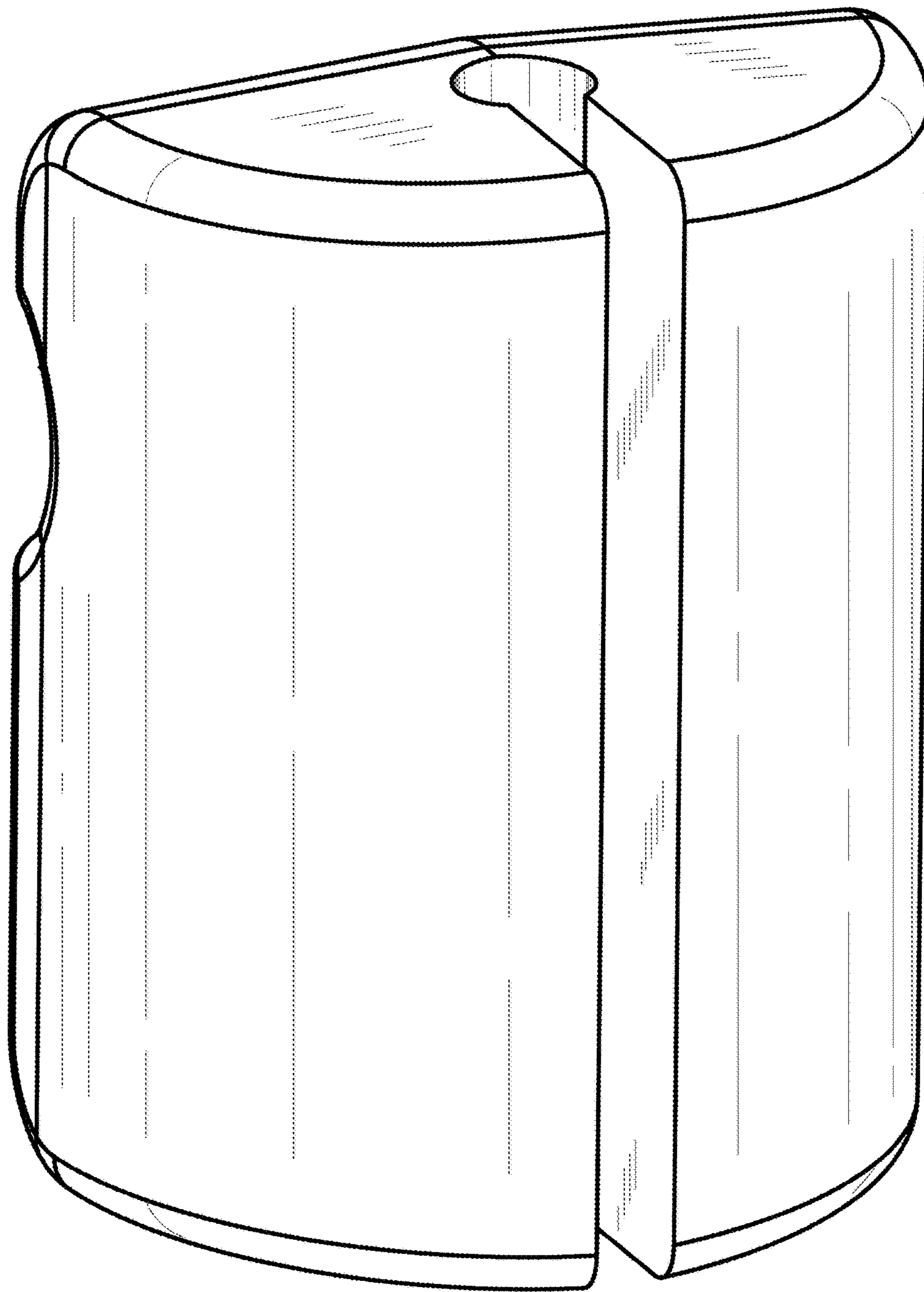


Fig.18

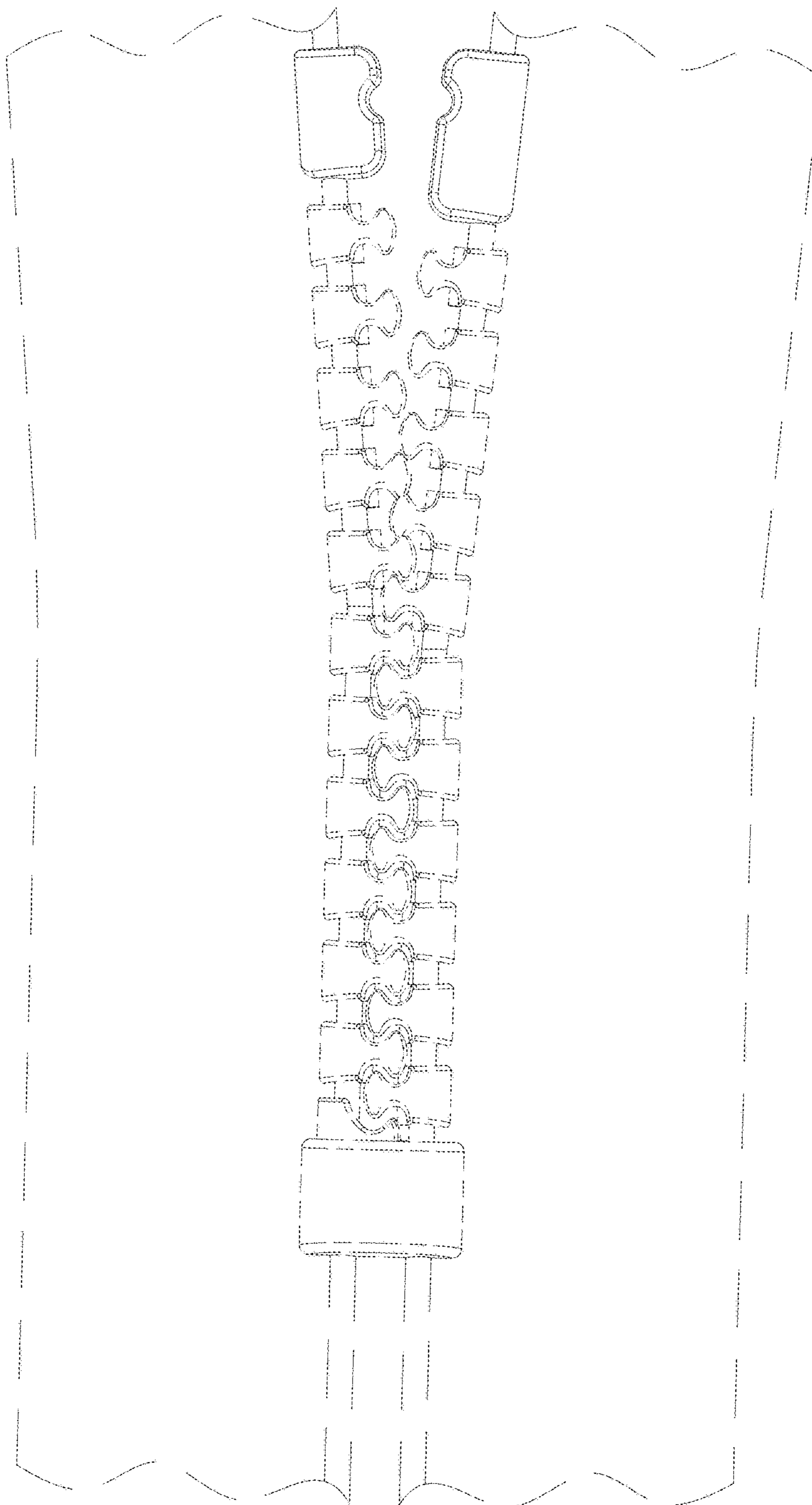


Fig.19

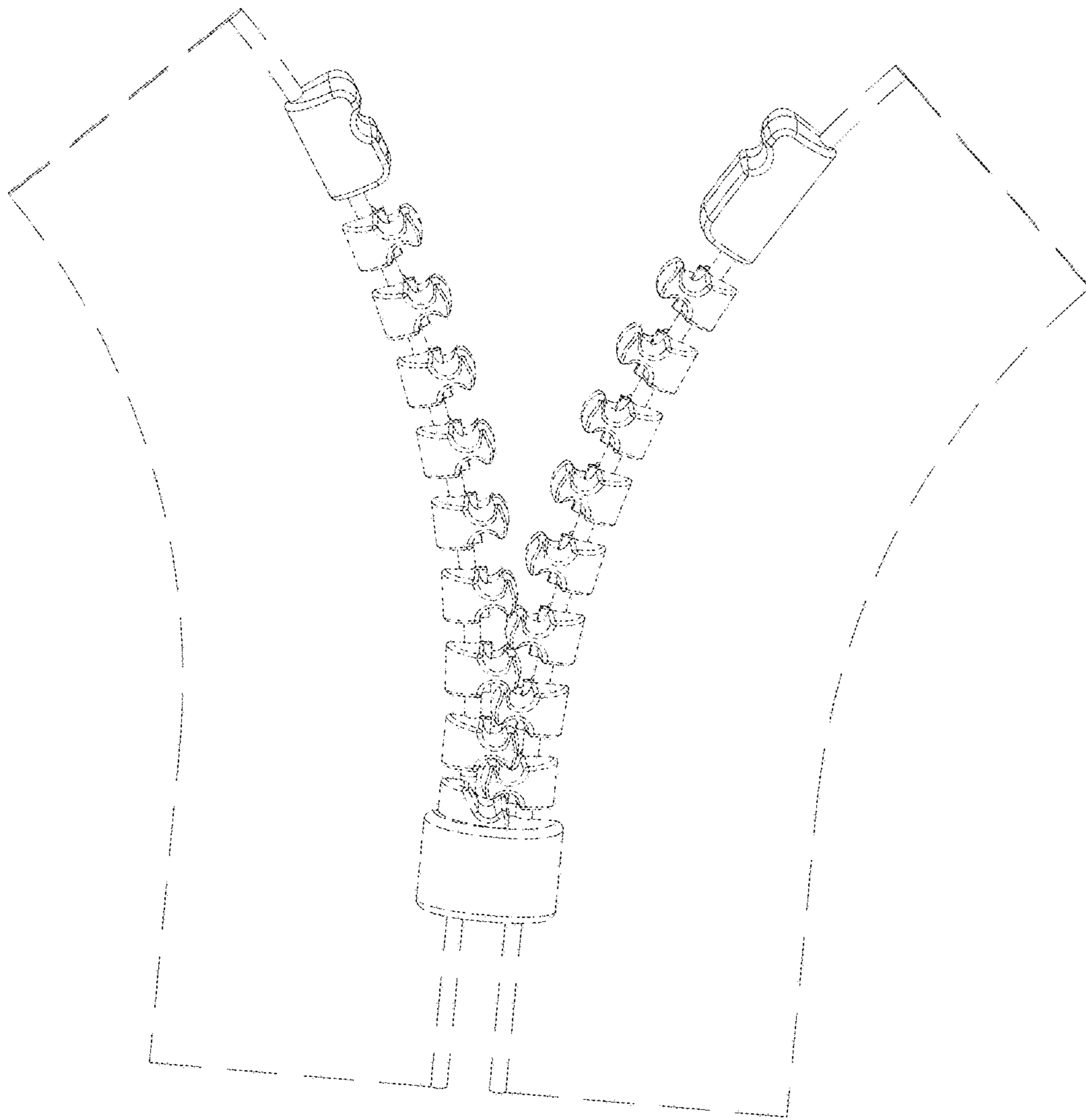


Fig.20