



US00D824285S

(12) **United States Design Patent**
Hung et al.

(10) **Patent No.:** **US D824,285 S**
(45) **Date of Patent:** **** Jul. 31, 2018**

(54) **STOPPER FOR ZIPPERS**

A44B 19/52; A44B 19/36; A44B 19/38;
G02C 3/003; A44H 37/06

See application file for complete search history.

(71) Applicant: **IDEAL FASTENER (GUANGDONG)**
INDUSTRIES LTD., Zhaoqing,
Guangdong (CN)

(56)

References Cited

U.S. PATENT DOCUMENTS

(72) Inventors: **Franklin Chi Yen Hung**, Guangdong
(CN); **Guoliang Qiu**, Guangdong (CN);
Wei Qiu, Guangdong (CN); **Zongjian**
Lyu, Guangdong (CN); **Fukang Wu**,
Guangdong (CN); **Jianan Zeng**,
Guangdong (CN)

2,835,951	A *	5/1958	Buckenham	A44B 19/36 24/435
3,752,718	A *	8/1973	Potin	A44B 19/38 156/66
7,698,790	B2 *	4/2010	Holloway	A44B 19/36 24/436
D643,778	S *	8/2011	Hasegawa	D11/221
D648,246	S *	11/2011	Hasegawa	D11/221
8,776,330	B2 *	7/2014	Keyaki	A44B 19/36 24/434
9,456,664	B2 *	10/2016	Tanaka	A44B 19/32
D779,374	S *	2/2017	Hamada	D11/221
D780,624	S *	3/2017	Hamada	D11/221

(73) Assignee: **IDEAL FASTENER (GUANGDONG)**
INDUSTRIES LTD., Zhaoqing (CN)

* cited by examiner

(**) Term: **15 Years**

Primary Examiner — Ralf Seifert

(21) Appl. No.: **29/616,697**

(57)

CLAIM

(22) Filed: **Sep. 7, 2017**

The ornamental design for a stopper for zippers, as shown and described.

(30) **Foreign Application Priority Data**

DESCRIPTION

May 17, 2017 (CN) 2017 3 0181522

(51) **LOC (11) Cl.** **02-07**

(52) **U.S. Cl.**

USPC **D11/221**

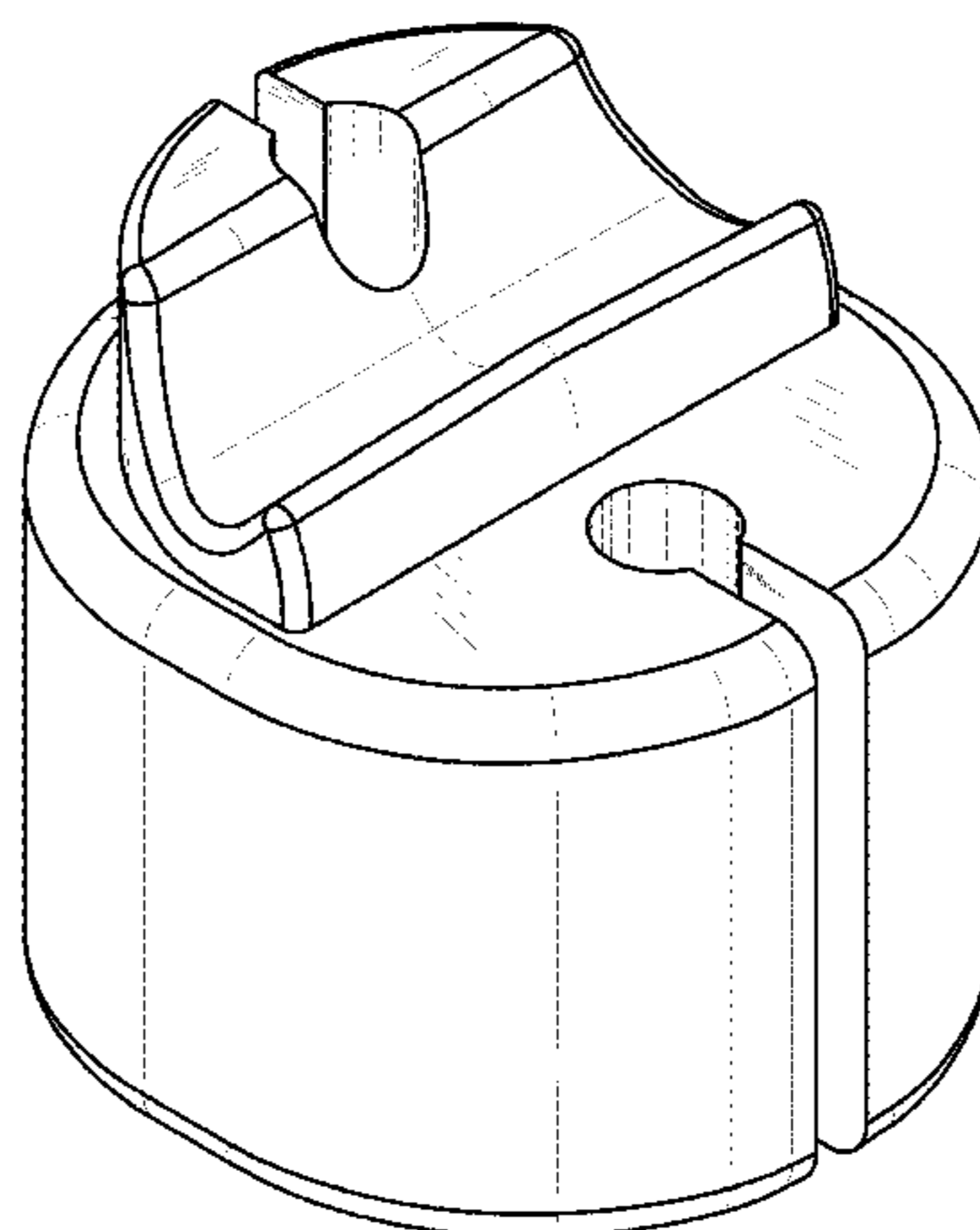
(58) **Field of Classification Search**

USPC D11/200, 201, 221; 24/381–383,
24/385–389, 414–417, 421–422, 427–431,
24/433; 2/265; D2/641, 642; 294/3.6;
223/118; D8/33, 34, 40

CPC A44B 19/00; A44B 19/02; A44B 19/04;
A44B 19/10; A44B 19/26; A44B 19/30;
A44B 19/06; A44B 19/34; A44B 19/40;

FIG. 1 is a front elevational view of a stopper for zippers showing our new design;
FIG. 2 is a rear elevational view thereof;
FIG. 3 is a left side view thereof;
FIG. 4 is a right side view thereof;
FIG. 5 is a top plan view thereof;
FIG. 6 is a bottom plan view thereof;
FIG. 7 is a first perspective view thereof;
FIG. 8 is a second perspective view thereof;
FIG. 9 is a third perspective view thereof;
FIG. 10 is a fourth perspective view showing the stopper for zippers in a use state; and,
FIG. 11 is a fifth perspective view showing the stopper for zippers in a use state.

(Continued)



The broken lines in FIGS. 10-11 depict environment and are for illustrative purposes only and form no part of the claimed design.

1 Claim, 11 Drawing Sheets

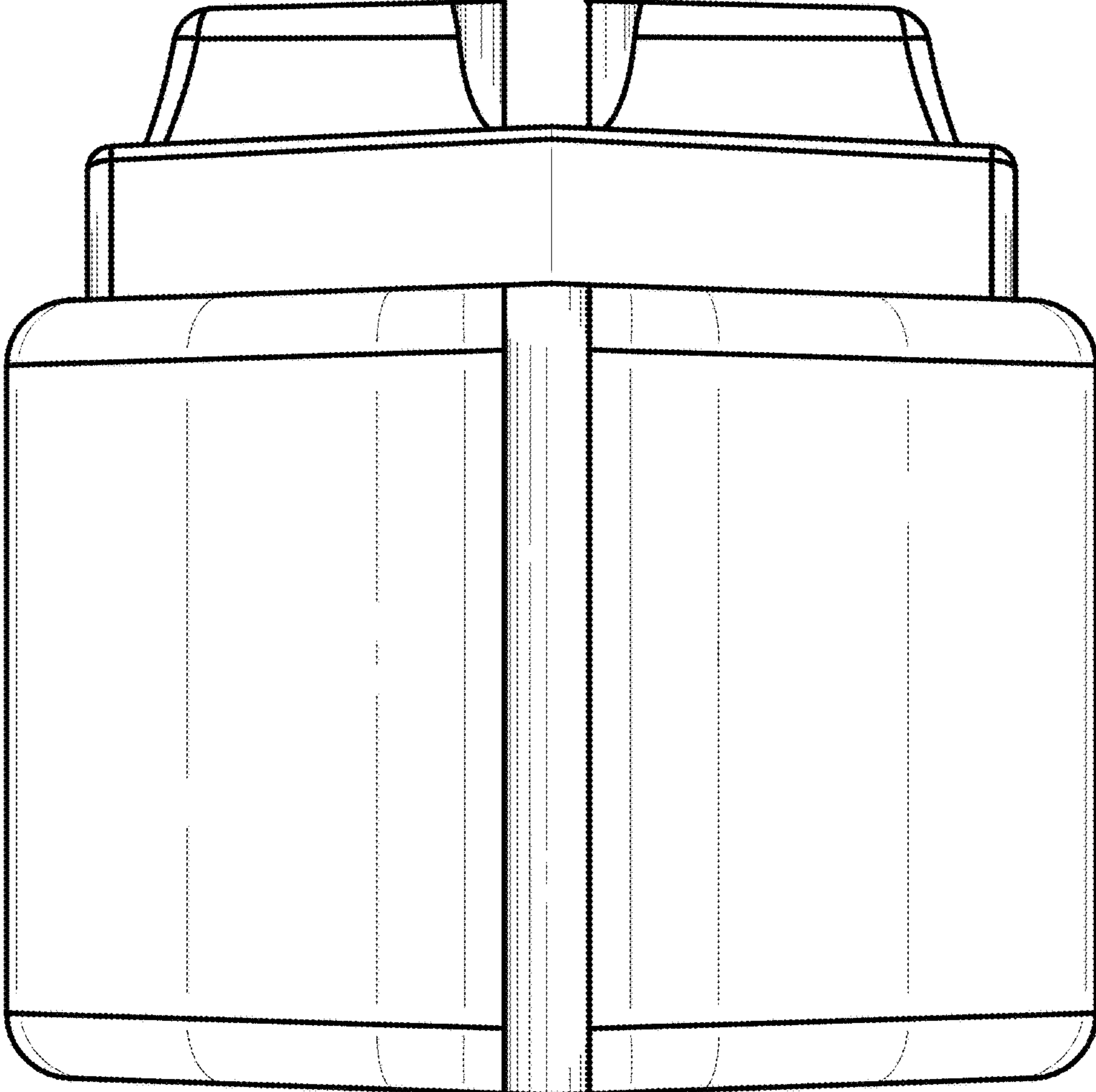


Fig.1

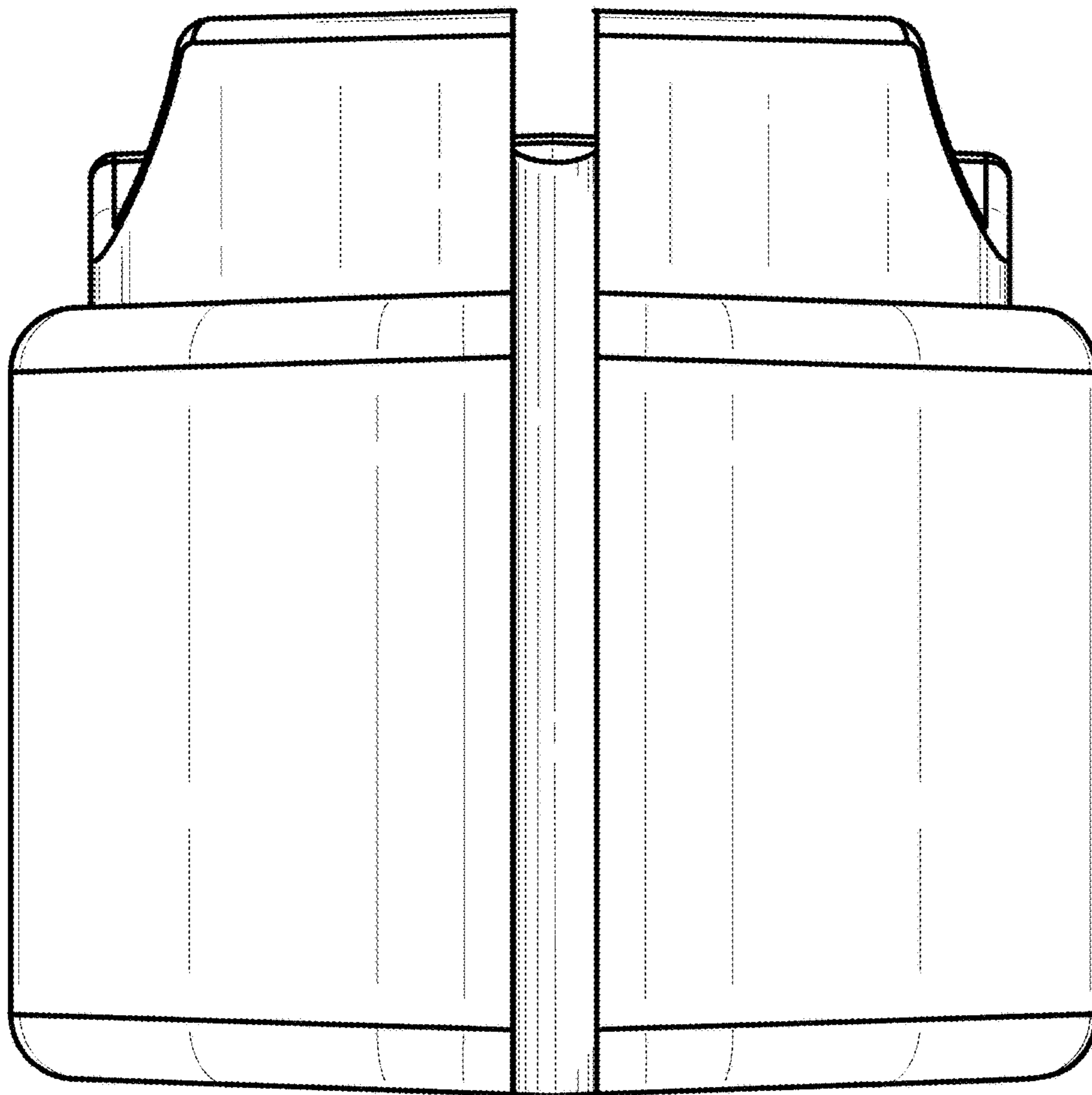


Fig.2

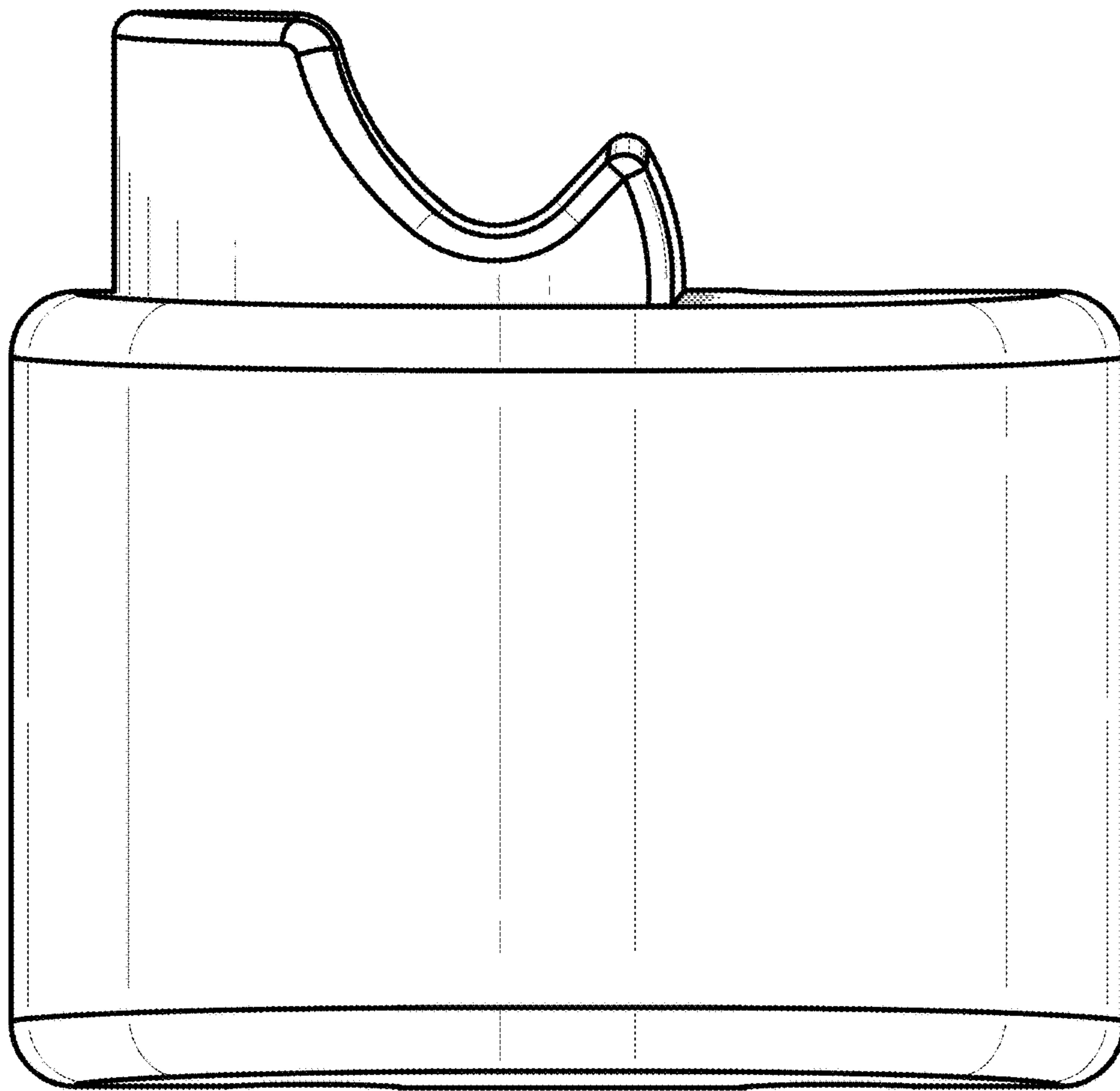


Fig.3

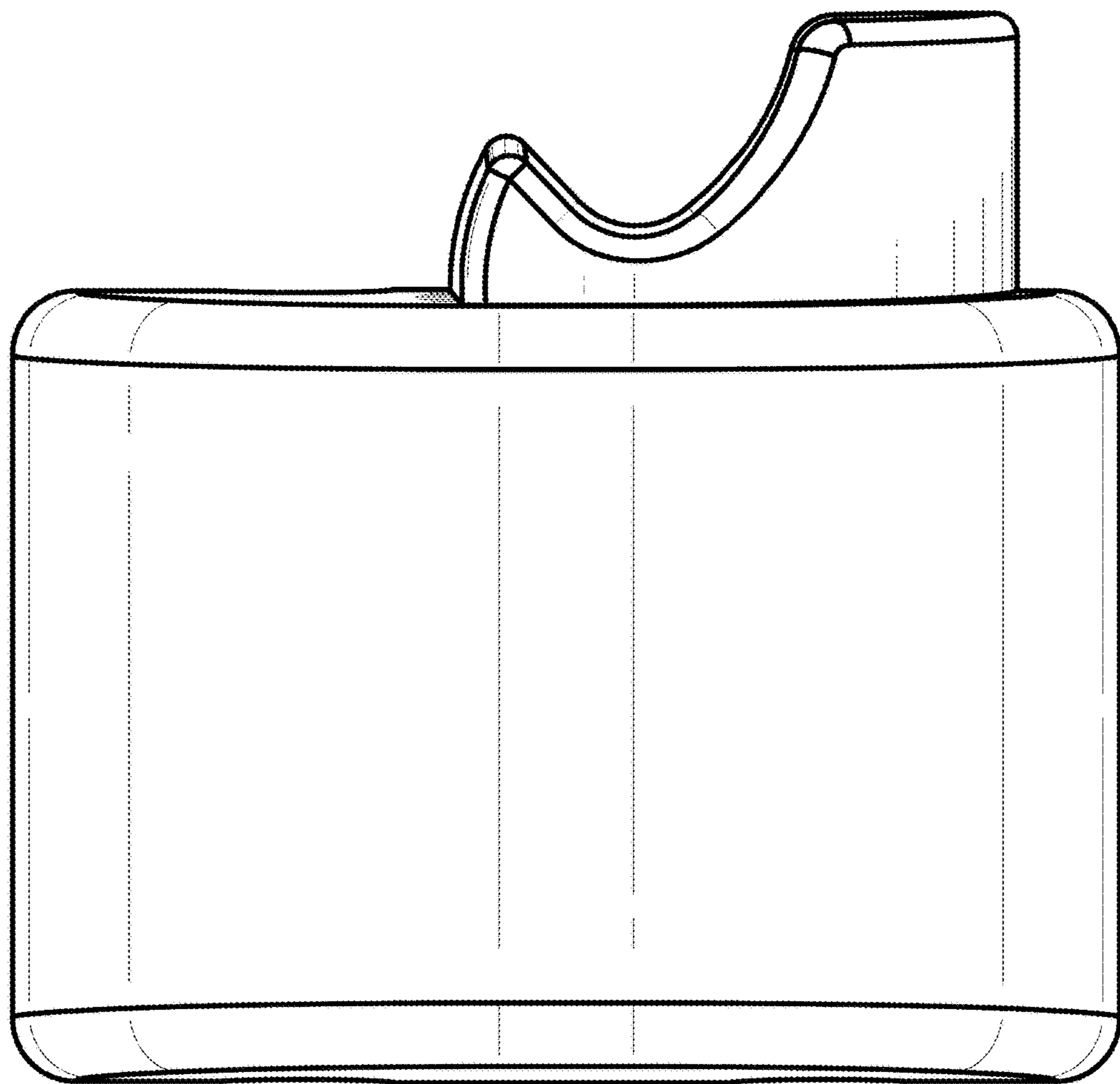


Fig.4

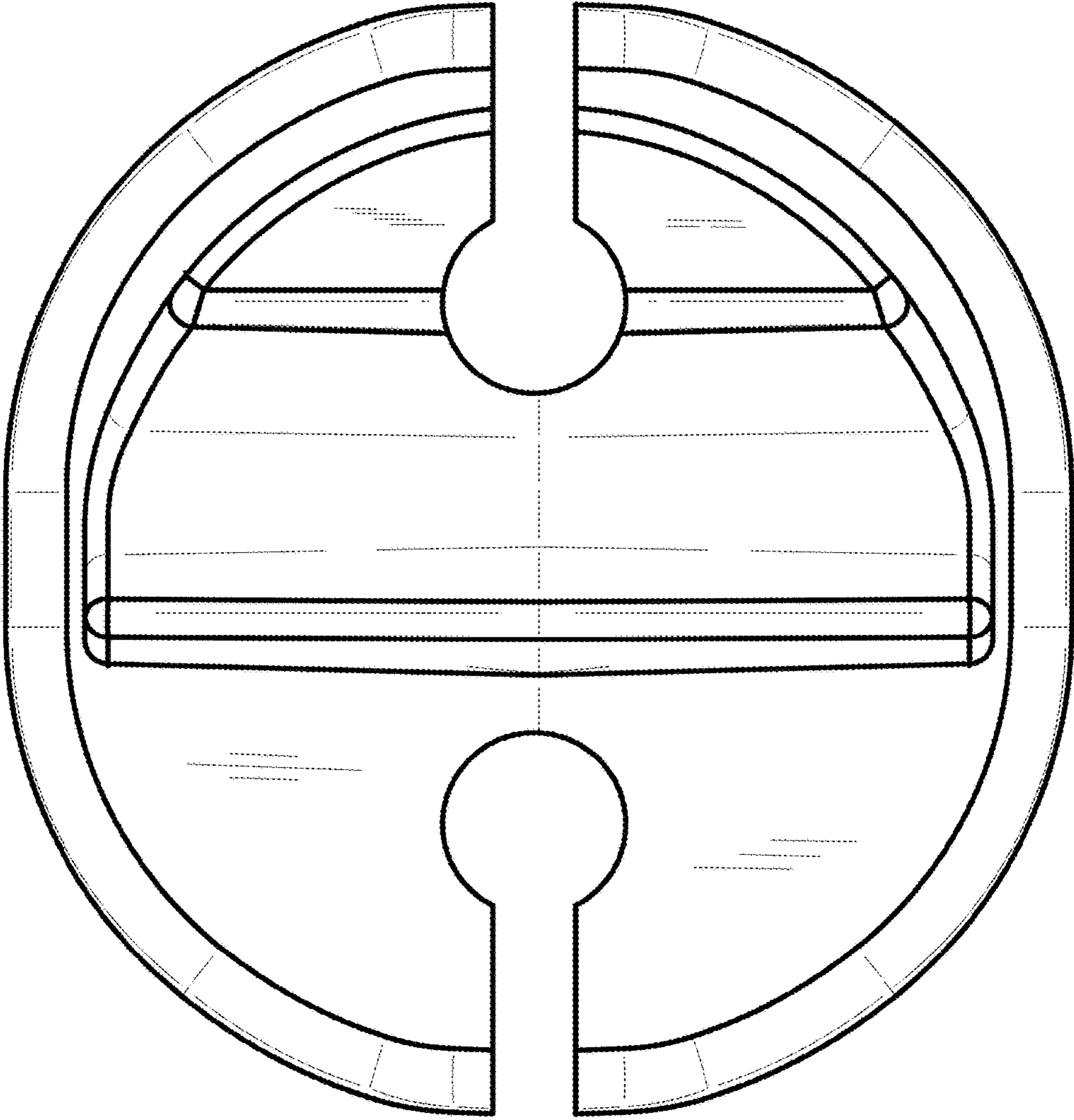


Fig.5

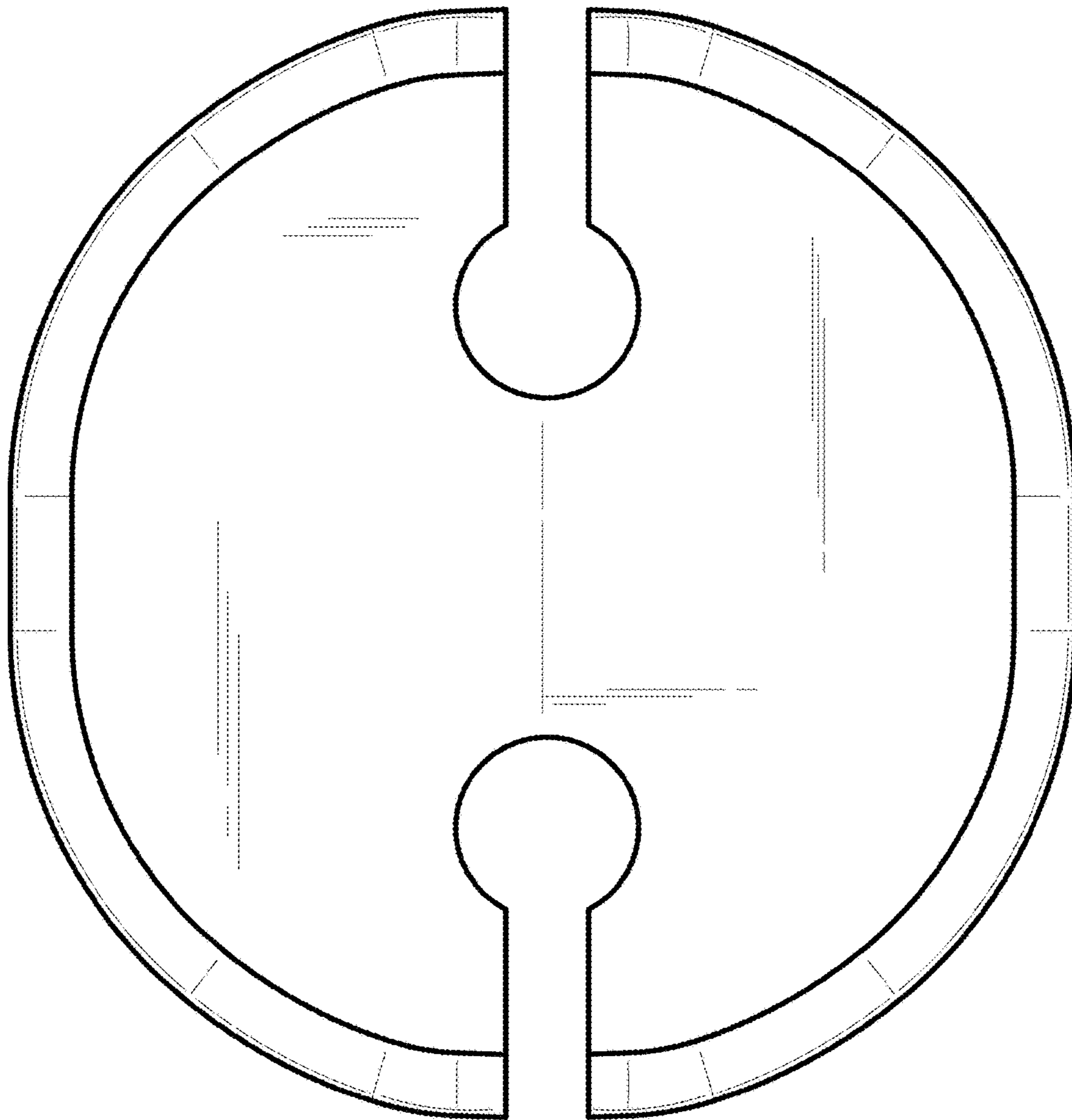


Fig.6

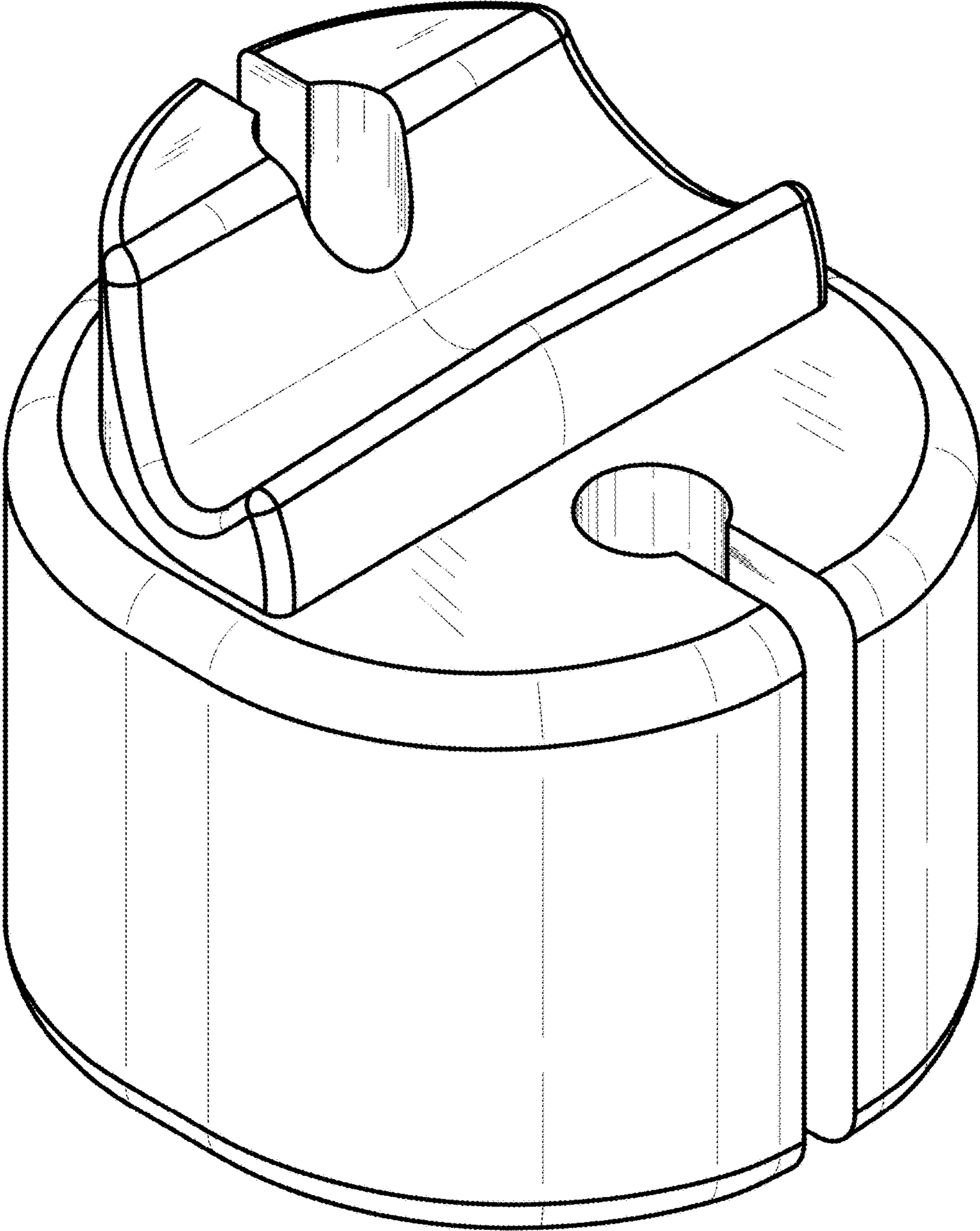


Fig.7

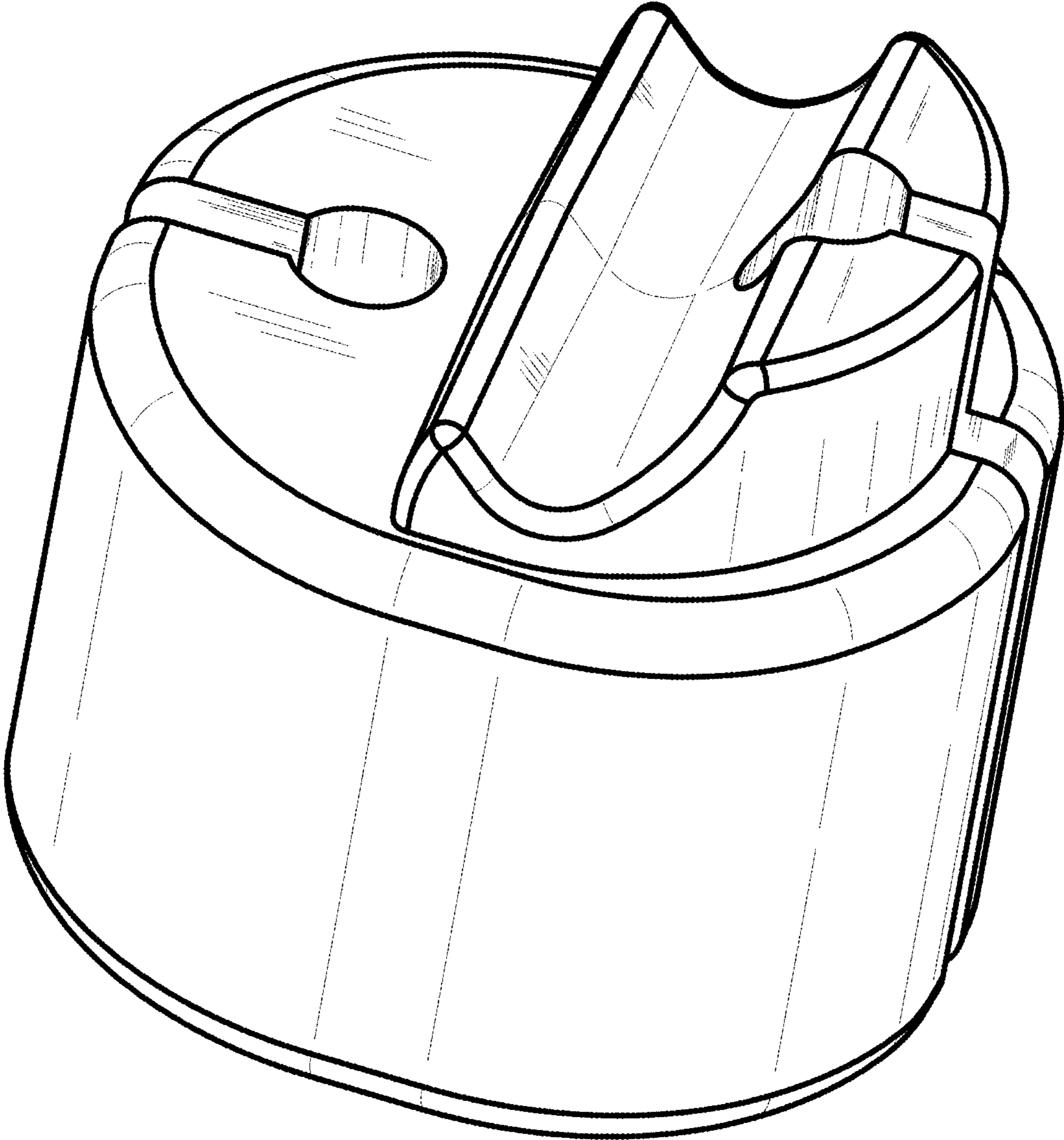


Fig.8

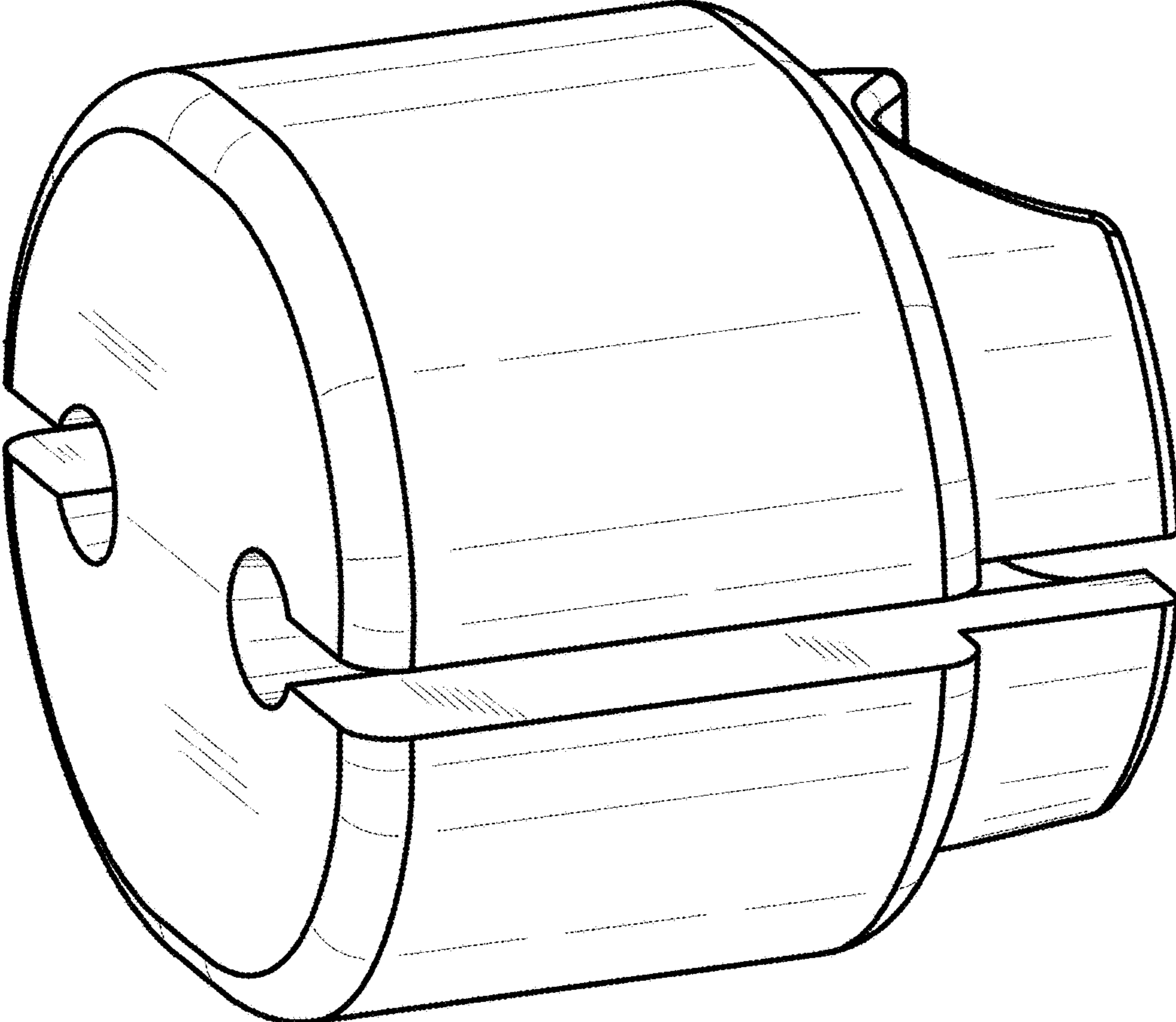


Fig.9

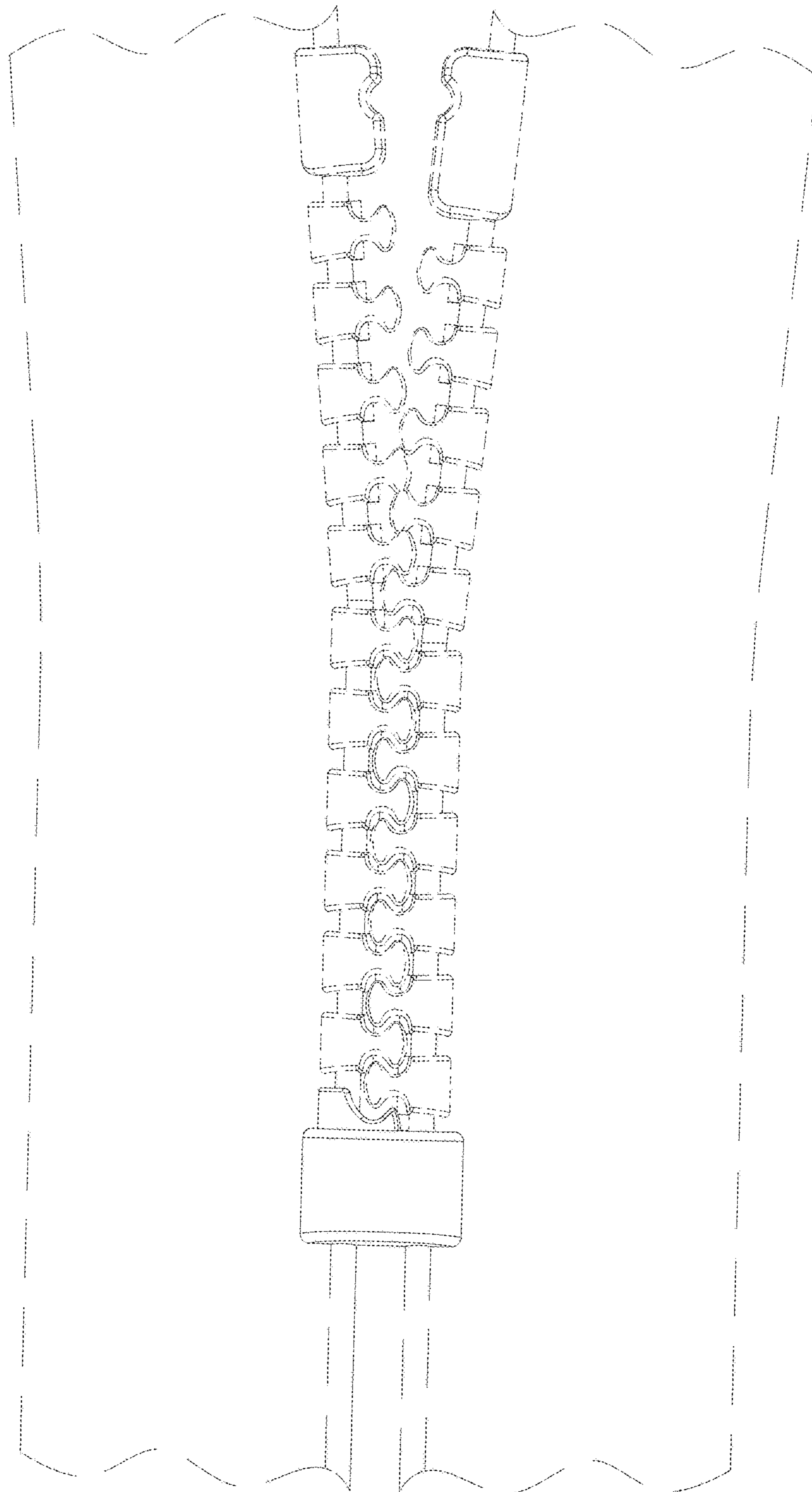


Fig.10

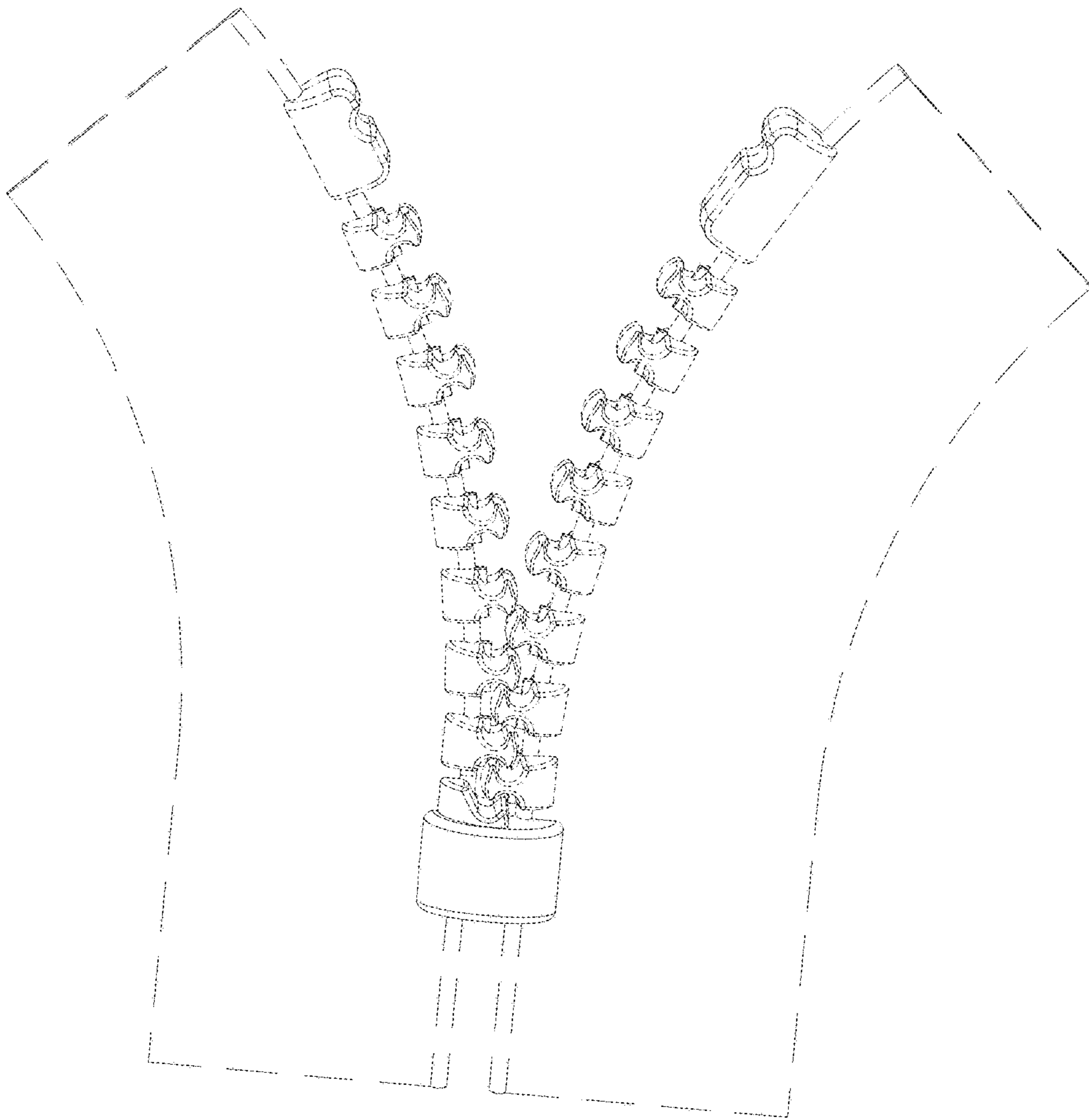


Fig.11