



US00D824284S

(12) **United States Design Patent**  
**Mojica**

(10) **Patent No.:** **US D824,284 S**

(45) **Date of Patent:** **\*\* Jul. 31, 2018**

(54) **QUICK RELEASE BUCKLE**

(71) Applicant: **Michael John Mojica**, Englewood, CO  
(US)

(72) Inventor: **Michael John Mojica**, Englewood, CO  
(US)

(\*\*) Term: **15 Years**

(21) Appl. No.: **29/613,102**

(22) Filed: **Aug. 7, 2017**

(51) **LOC (11) Cl.** ..... **02-07**

(52) **U.S. Cl.**  
USPC ..... **D11/216**

(58) **Field of Classification Search**  
USPC ..... D11/1-2, 200-201, 206-212, 214-218,  
D11/223-224, 232-233, 239; 24/163 R,  
24/169-171, 173, 177-179, 191,  
24/194-195, 197, 200, 614-616, 625,  
24/198, 578.11, 578.1, 163 K, 114, 591.1;  
D2/853, 624; D8/105; 206/88-91, 278  
CPC ..... A44B 11/26; A44B 11/25; A44B 11/06;  
A44B 11/04; A44B 11/01; A44B 11/001;  
A44B 11/10

See application file for complete search history.

(56) **References Cited**

U.S. PATENT DOCUMENTS

D340,886 S	*	11/1993	Anscher	.....	D11/200
D468,664 S	*	1/2003	Nishida	.....	D11/216
D657,650 S	*	4/2012	Rubin	.....	D26/38
D770,939 S	*	11/2016	Kolasa	.....	D11/216
D778,207 S	*	2/2017	Paik	.....	D11/216
D799,370 S	*	10/2017	Paik	.....	D11/216

\* cited by examiner

*Primary Examiner* — Ralf Seifert

(57) **CLAIM**

I claim the ornamental design for a quick release buckle, as shown and described.

**DESCRIPTION**

FIG. 1 is a perspective view of the female side showing my design for a quick release buckle;  
FIG. 2 is a perspective view of the male end thereof;  
FIG. 3 is a right side perspective of the female end thereof;  
FIG. 4 is a right side perspective of the male end thereof;  
FIG. 5 is a top perspective of the female end thereof;  
FIG. 6 is a top perspective of the male end thereof;  
FIG. 7 is a left side perspective of the female end thereof;  
and,  
FIG. 8 is a left side perspective of the male end thereof.

**1 Claim, 3 Drawing Sheets**

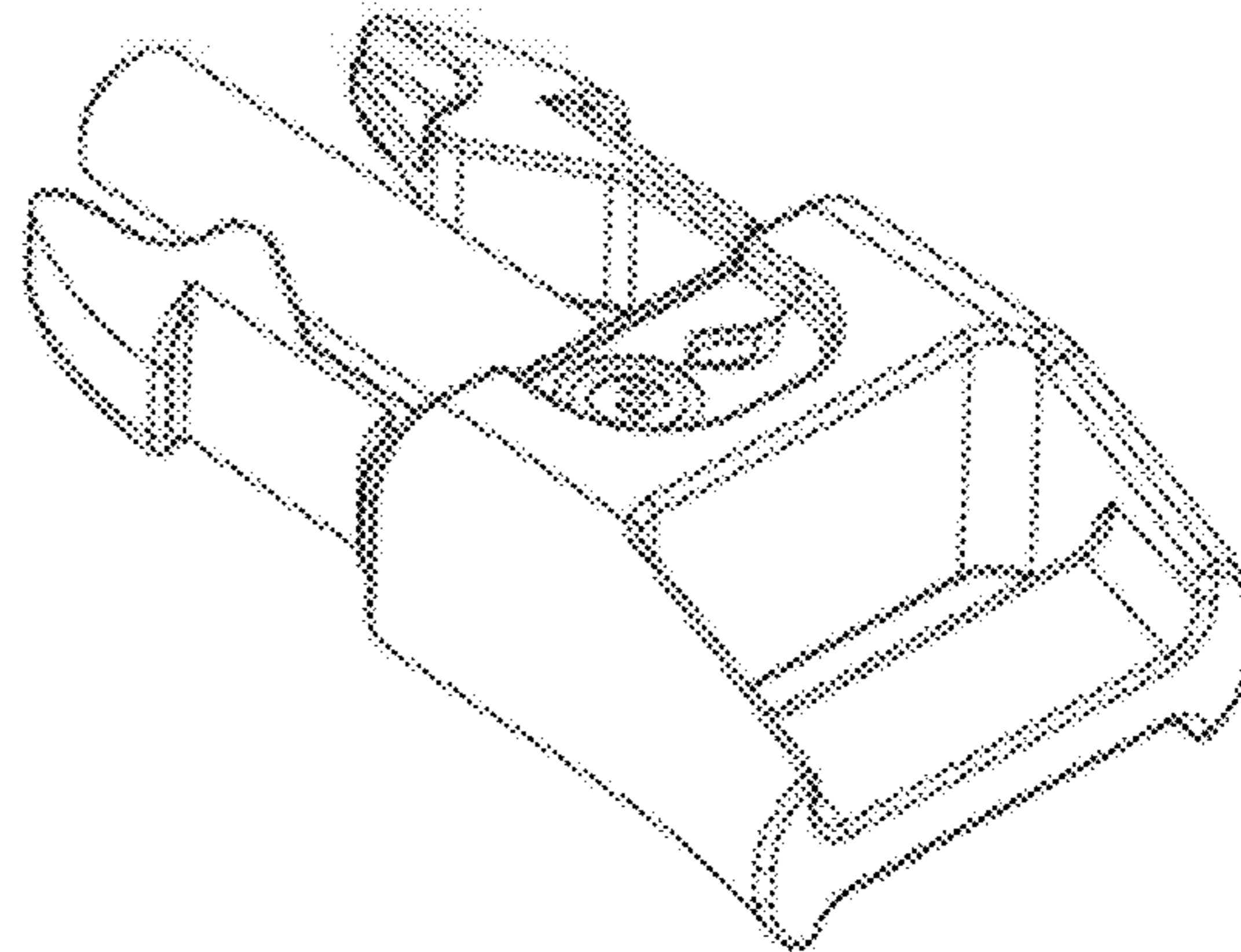
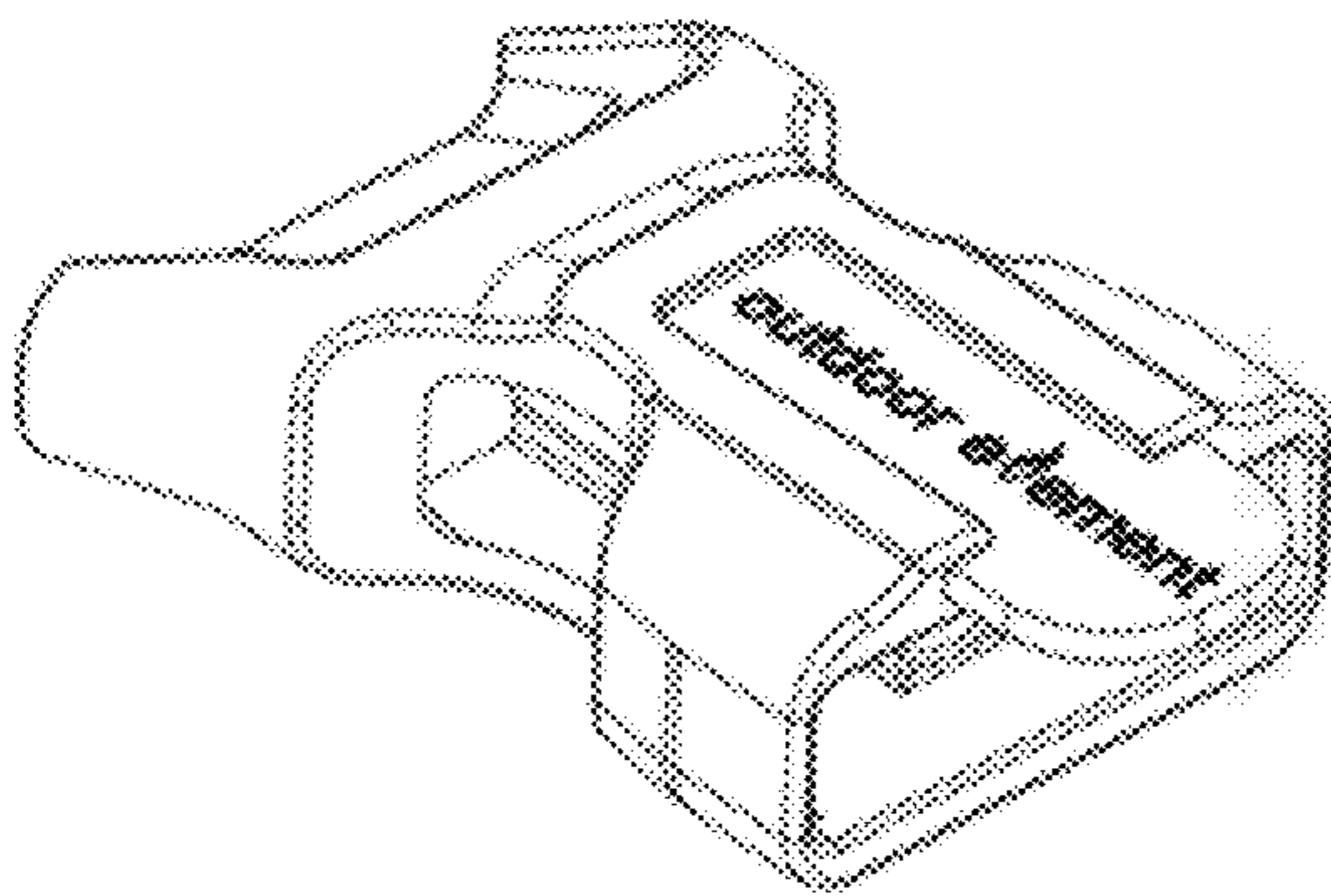


Fig. 1

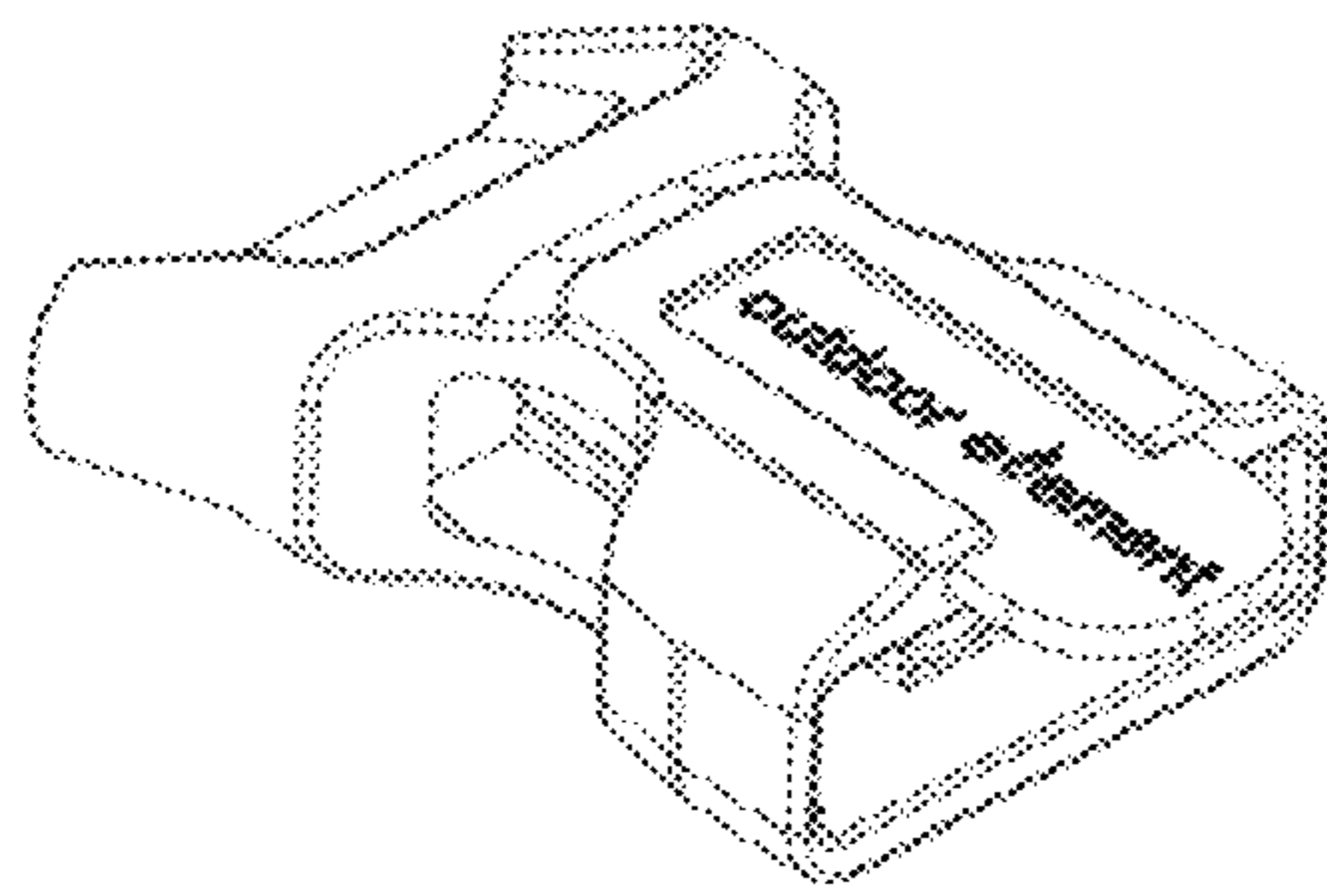


Fig. 2

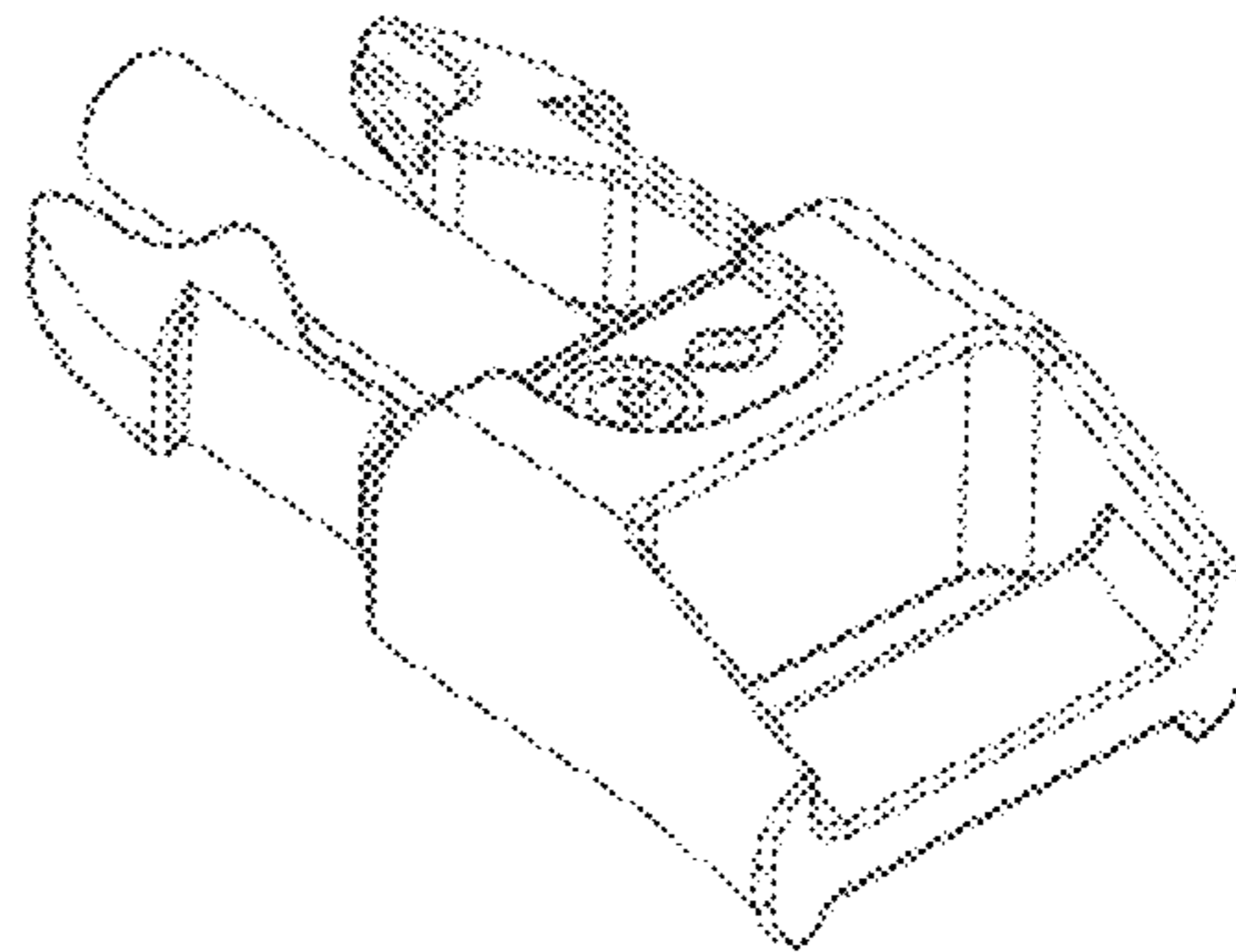


Fig. 3

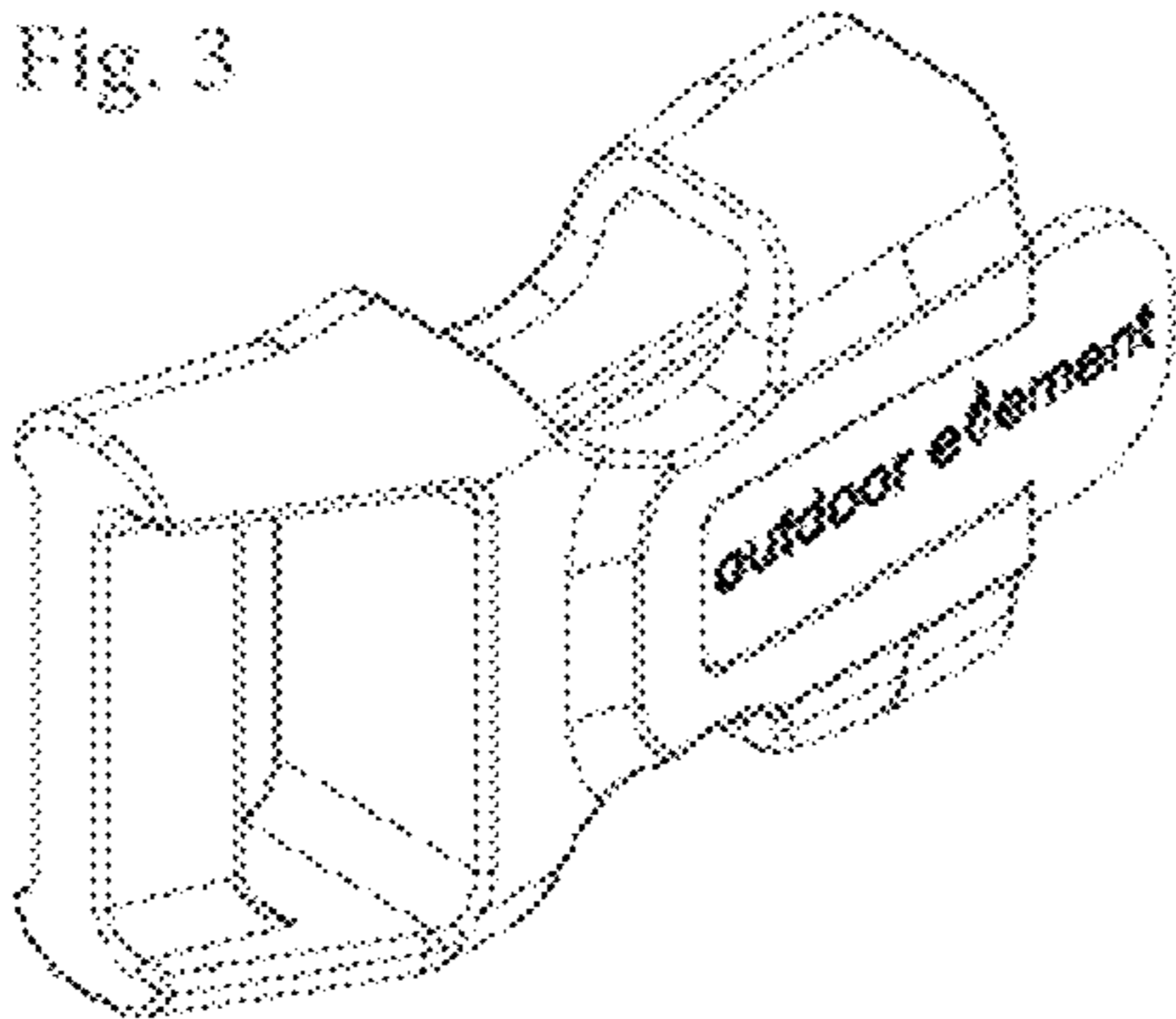


Fig. 4

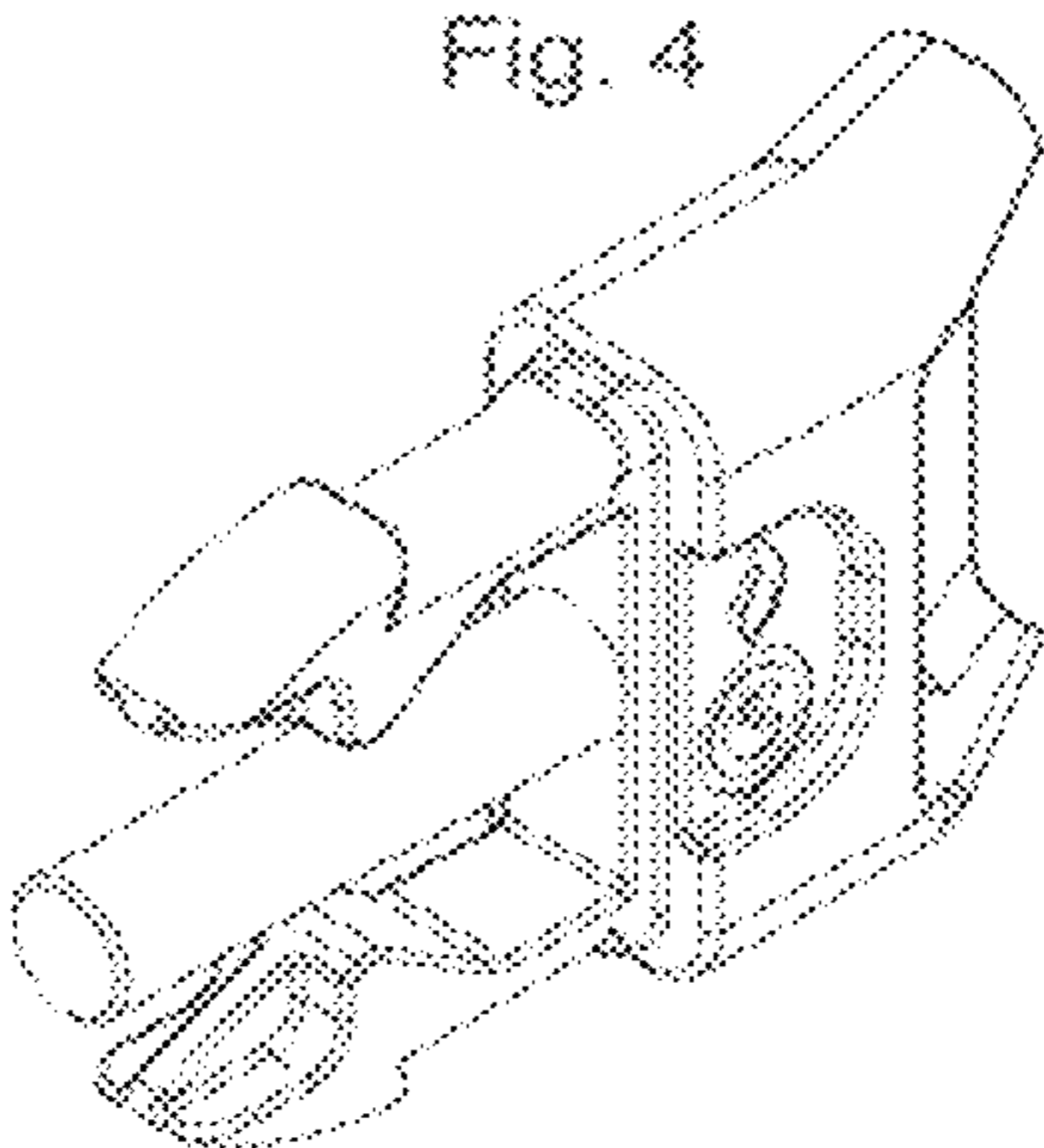


Fig. 5

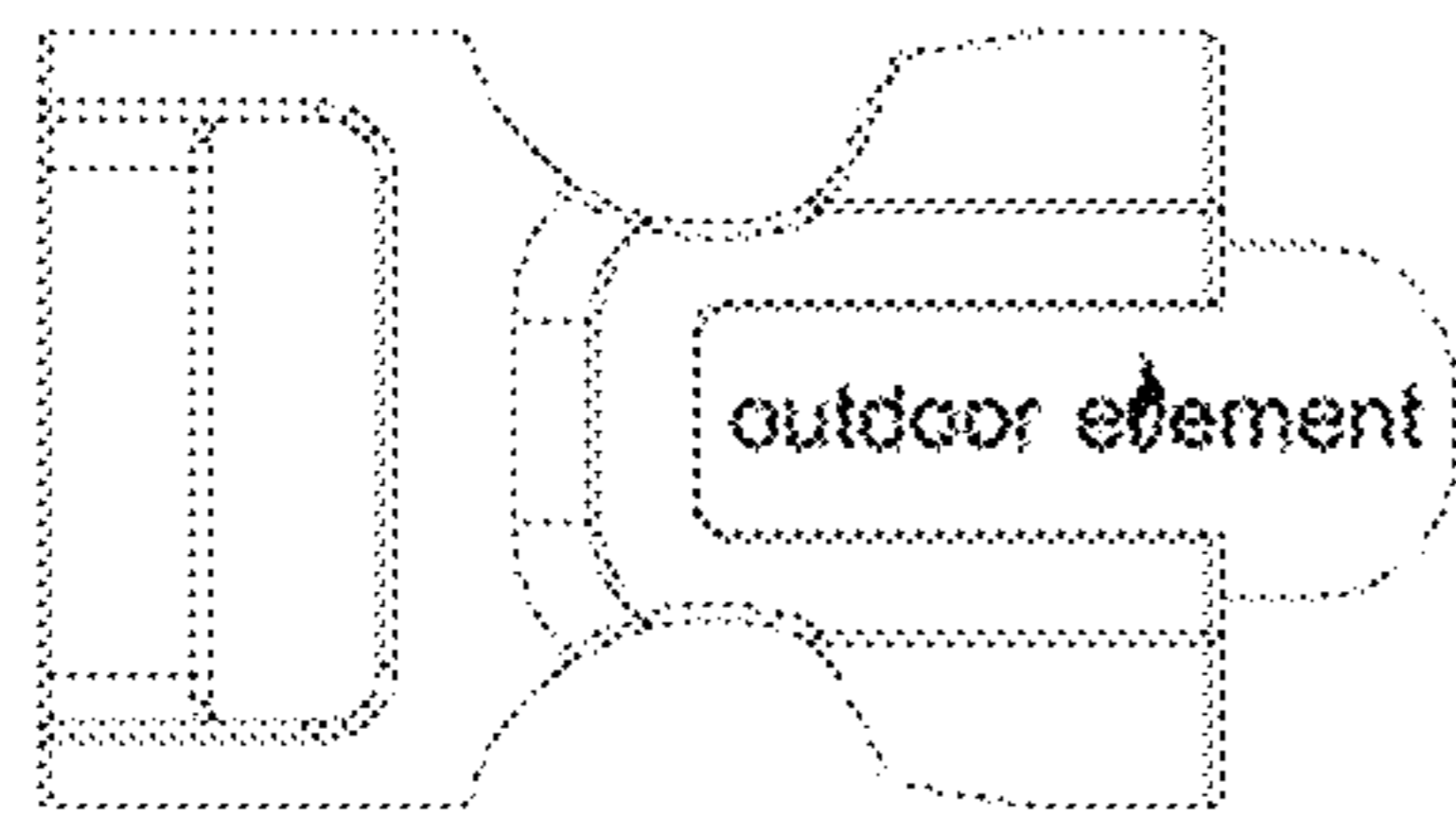


Fig. 6

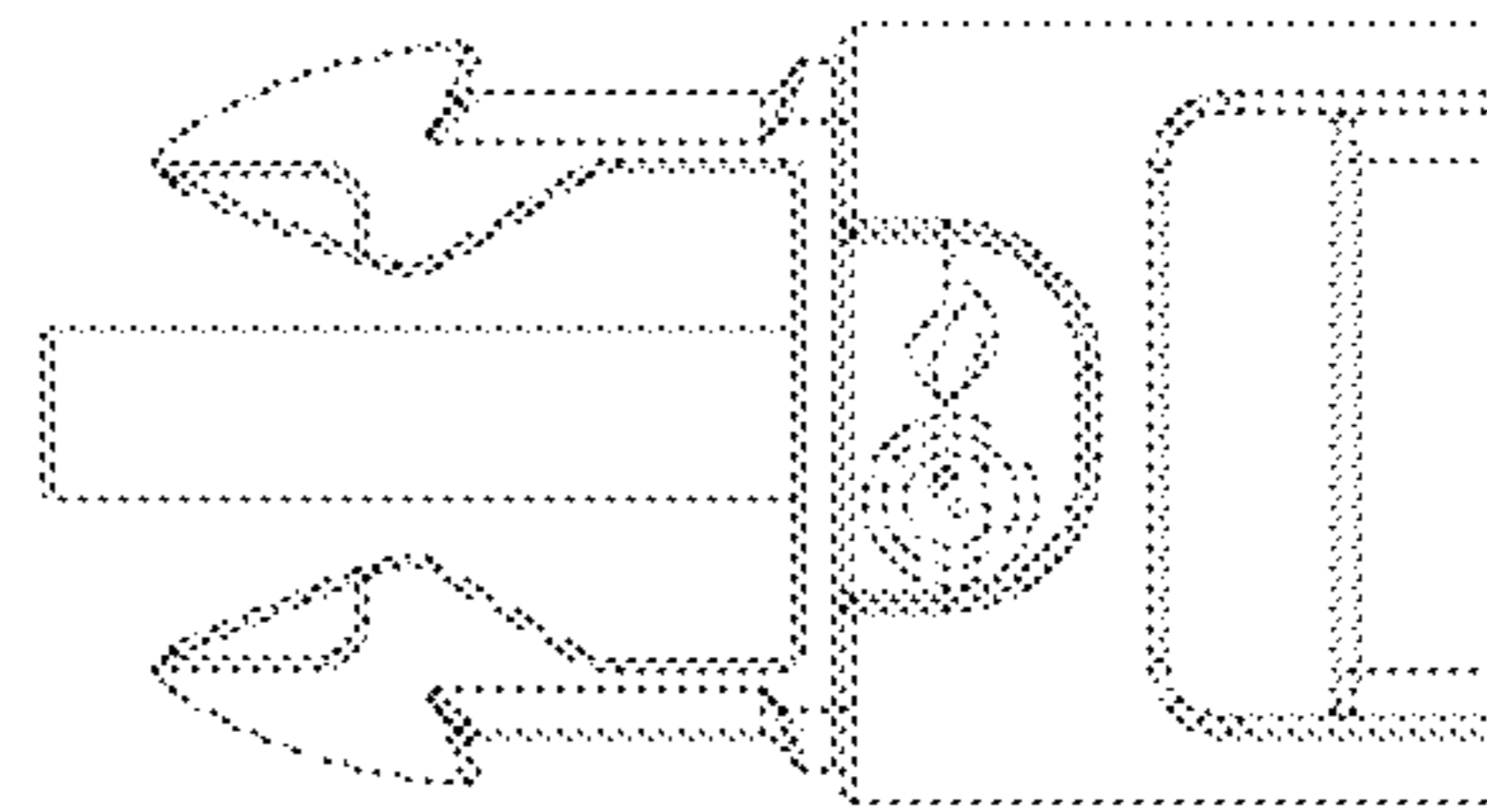


Fig. 7

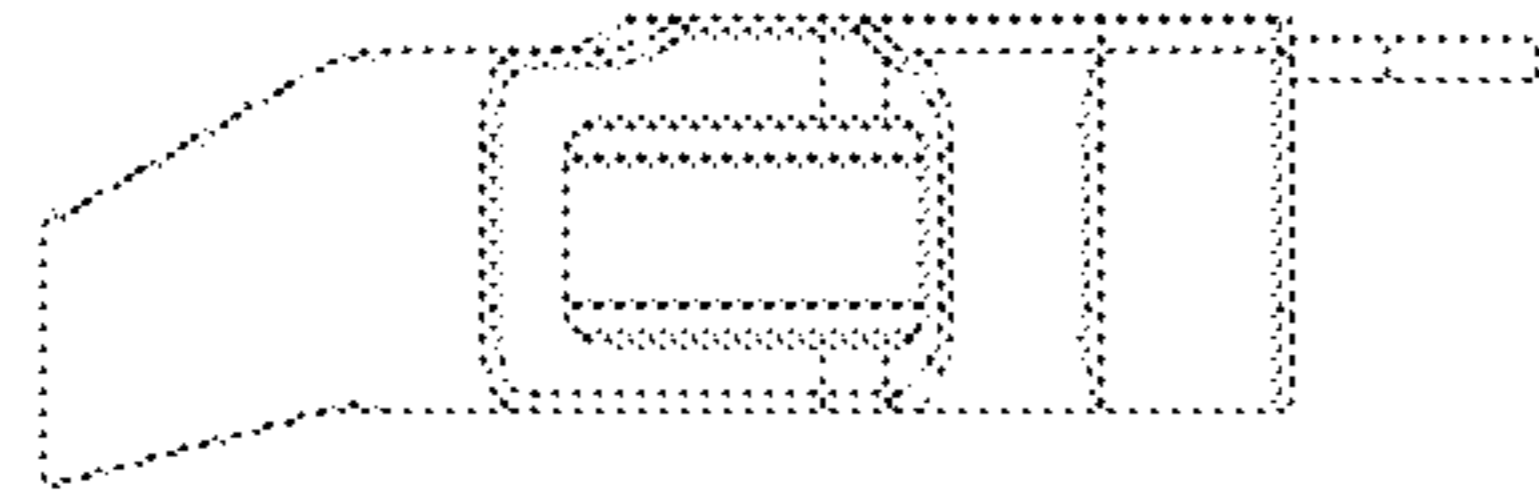


Fig. 8

