

US00D824283S

(12) **United States Design Patent**
Swims et al.

(10) **Patent No.:** **US D824,283 S**
(45) **Date of Patent:** **** Jul. 31, 2018**

(54) **CLASP**

- (71) Applicant: **Jack & Izzy, LLC**, Atlanta, GA (US)
- (72) Inventors: **Teresa Kane Swims**, Atlanta, GA (US);
Meredith Van Houten, Atlanta, GA (US);
Anne Sherrill Windsor, Roswell, GA (US)
- (73) Assignee: **Jack & Izzy, LLC**, Atlanta, GA (US)
- (**) Term: **15 Years**
- (21) Appl. No.: **29/578,302**
- (22) Filed: **Sep. 20, 2016**
- (51) **LOC (11) Cl.** **02-07**
- (52) **U.S. Cl.**
USPC **D11/200**
- (58) **Field of Classification Search**
USPC D11/200, 201, 204, 205, 208, 215, 219,
D11/223-224, 231-233, 238-239, 11,
D11/1-2, 7, 31, 40-44, 46-49, 53, 56, 57,
D11/59-61, 63, 65, 79-83, 86-87, 89-92,
D11/99, 101, 106, 114-116; D8/356,
D8/383, 394-396, 307; 24/16 PB, 17 AP,
24/30.5 P, 30.5 S, 300-302, 339, DIG. 16,
24/163 R, 169-171, 173, 177-179, 191,
24/194-195, 197, 200, 303; 248/58, 60,
248/74.3, 166; 63/18-20; D3/318, 322,
D3/627
CPC A44C 5/02
See application file for complete search history.

(56) **References Cited**

U.S. PATENT DOCUMENTS

- 180,430 A * 8/1876 Lambert D06F 55/00
2/217
- 703,485 A * 7/1902 Shedlock B42F 1/08
24/552
- 1,387,230 A * 8/1921 Brannigan A41F 11/04
24/479
- 1,503,288 A * 7/1924 Poole A47C 21/022
24/495

(Continued)

FOREIGN PATENT DOCUMENTS

- JP 3040251 8/1997
- KR 101457458 11/2014

OTHER PUBLICATIONS

50/100Pcs Silver/Gold/Bronze Lobster Claw Clasps Hook, Ebay.com, [online], [site visited Dec. 4, 2017]. <URL: https://www.ebay.com/i/281690755627?chn=ps> (Year: 2017).*

(Continued)

Primary Examiner — T. Chase Nelson

Assistant Examiner — Jonathan J. Han

(74) *Attorney, Agent, or Firm* — Greenberg Traurig, LLP

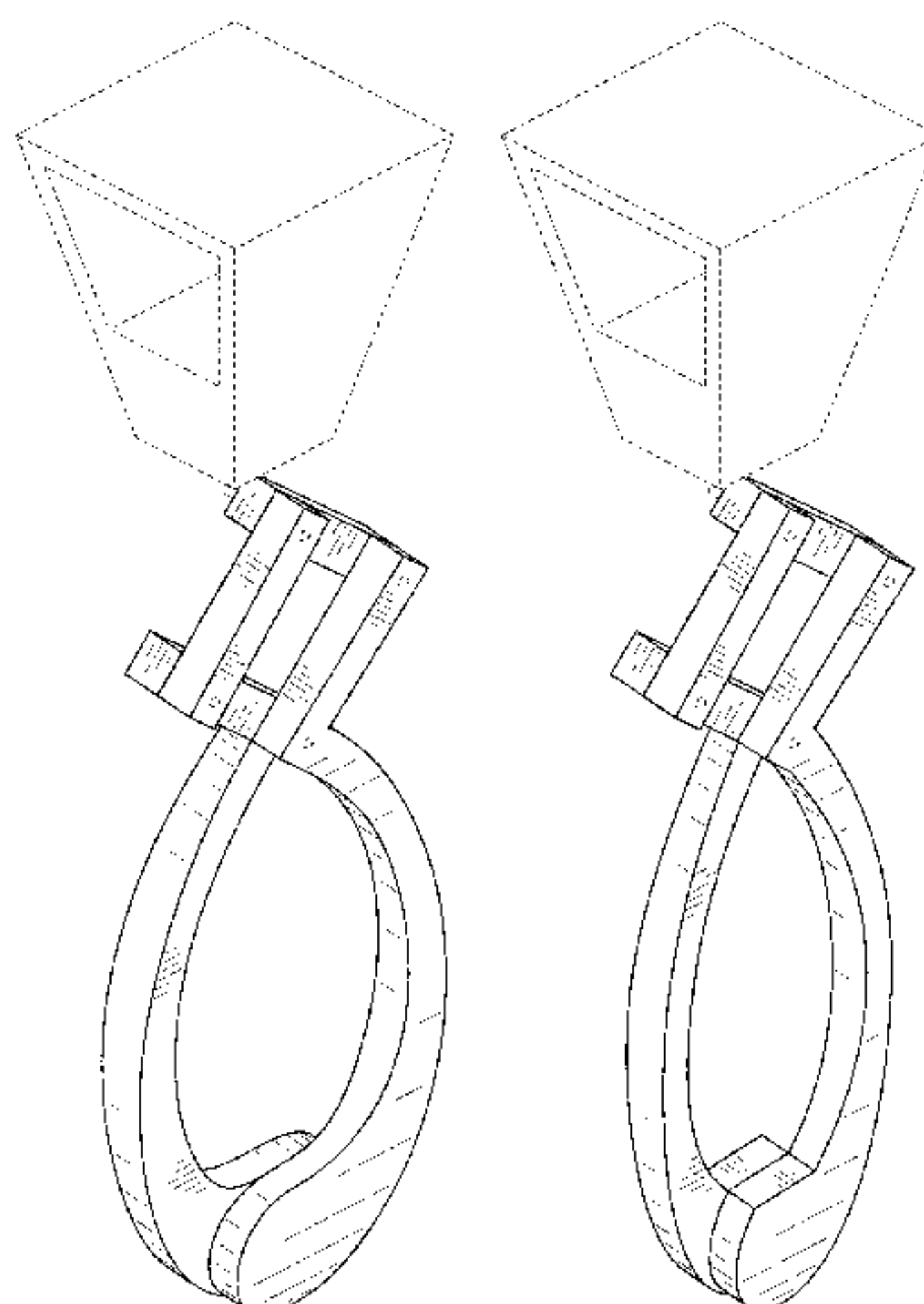
(57) **CLAIM**

The ornamental design for a clasp, as shown and described.

DESCRIPTION

FIG. 1 is a perspective view of an embodiment of our clasp;
 FIG. 2 is front view thereof;
 FIG. 3 is a side view thereof;
 FIG. 4 is a top view thereof;
 FIG. 5 is a bottom view thereof;
 FIG. 6 is a perspective view of another embodiment of our clasp;
 FIG. 7 is front view thereof;
 FIG. 8 is a side view thereof;
 FIG. 9 is a top view thereof; and,
 FIG. 10 is a bottom view thereof.
 The dashed lines in the figures are used to illustrate unclaimed portions and form no part of the claimed design.

1 Claim, 6 Drawing Sheets



(56)

References Cited

U.S. PATENT DOCUMENTS

1,619,783 A * 3/1927 Chase B60C 27/06
24/577.1
1,767,720 A * 6/1930 Treloar A45D 2/141
132/224
1,780,880 A * 11/1930 Johnson B65D 33/1675
24/30.5 R
1,849,020 A * 3/1932 Allison A44B 99/00
24/327
2,031,484 A * 2/1936 Interrante A45D 8/06
132/281
2,053,651 A * 9/1936 Battin A41F 11/04
24/492
2,435,174 A * 1/1948 Bell D06F 55/00
24/115 A
2,442,698 A 6/1948 Lang
2,447,422 A * 8/1948 Nelson A44C 5/2071
24/336
2,641,039 A * 6/1953 Bissell A41F 11/04
24/490
3,545,049 A * 12/1970 Brueggeman F16B 45/00
24/326
3,956,804 A 5/1976 Gatof et al.
4,245,377 A * 1/1981 Soltis A44C 5/2052
24/625
4,324,025 A * 4/1982 Apri B42F 1/08
24/551
D269,770 S * 7/1983 Pittenger D11/87
4,441,746 A 4/1984 Corboy, Jr.
4,665,594 A * 5/1987 Wagner A44B 15/00
24/3.6
D295,268 S * 4/1988 Riethmann D11/87
D390,496 S * 2/1998 Olsen D11/87
5,805,262 A 9/1998 Deveney
5,860,191 A 1/1999 Sieger
5,893,198 A 4/1999 Decotis
D454,087 S * 3/2002 Braner D11/78.1
6,412,152 B1 * 7/2002 Ayliffe F16B 2/22
24/499

6,533,414 B2 3/2003 Newler
6,598,268 B1 7/2003 Zelman
6,662,598 B2 * 12/2003 Meehan A44C 15/0095
24/551
7,322,214 B2 1/2008 Ignatowski
7,448,155 B2 * 11/2008 Dolas A45C 1/06
150/137
7,721,392 B2 5/2010 Avery
7,850,302 B1 12/2010 Riazi
D723,970 S * 3/2015 Tomaselli D11/86
9,144,271 B2 9/2015 Tribelhorn
9,341,203 B1 * 5/2016 Disharoon F16B 2/248
D787,364 S * 5/2017 Grange D11/87
D801,211 S * 10/2017 Tomaselli D11/86
2005/0241115 A1 11/2005 Zoullas
2006/0248688 A1 11/2006 Vermillion
2010/0263170 A1 10/2010 Dollar, Sr.
2011/0277276 A1 11/2011 Pucci
2012/0184976 A1 7/2012 Nakamura
2016/0025996 A1 1/2016 Bacon
2016/0058137 A1 3/2016 Prestwidge
2016/0215812 A1 * 7/2016 Durfee F16B 45/025
2017/0224068 A1 * 8/2017 Williams A44C 17/02

OTHER PUBLICATIONS

Clasps, FireMountainGems.com, [online], [site visited Dec. 4, 2017]. <URL: <http://www.firemountaingems.com/shop/clasps>> (Year: 2017).*

Silver Plated Celtic Knot Toggle Clasp, SpoiltRottenBeads.co.uk, [online], [site visited Dec. 4, 2017]. <URL: <https://www.spoiltrottenbeads.co.uk/product-category/components-clasps-toggles-silver-clasps-toggles/>> (Year: 2017).*

11x5mm Sterling Silver Lobster, GemPacked.com, [online], [site visited Dec. 4, 2017]. <URL: <https://www.gempacked.com/findings-jewelry-components-and-parts-3/clasps-sterling-silver-gold-filled-and-more-16/lobster-clasps-and-trigger-clasps-160/>> (Year: 2017).*

ISA/US, Int. Search Report and Written Opinion issued on PCT application No. US2017/050220, dated Nov. 16, 2017, 7 pgs.

* cited by examiner

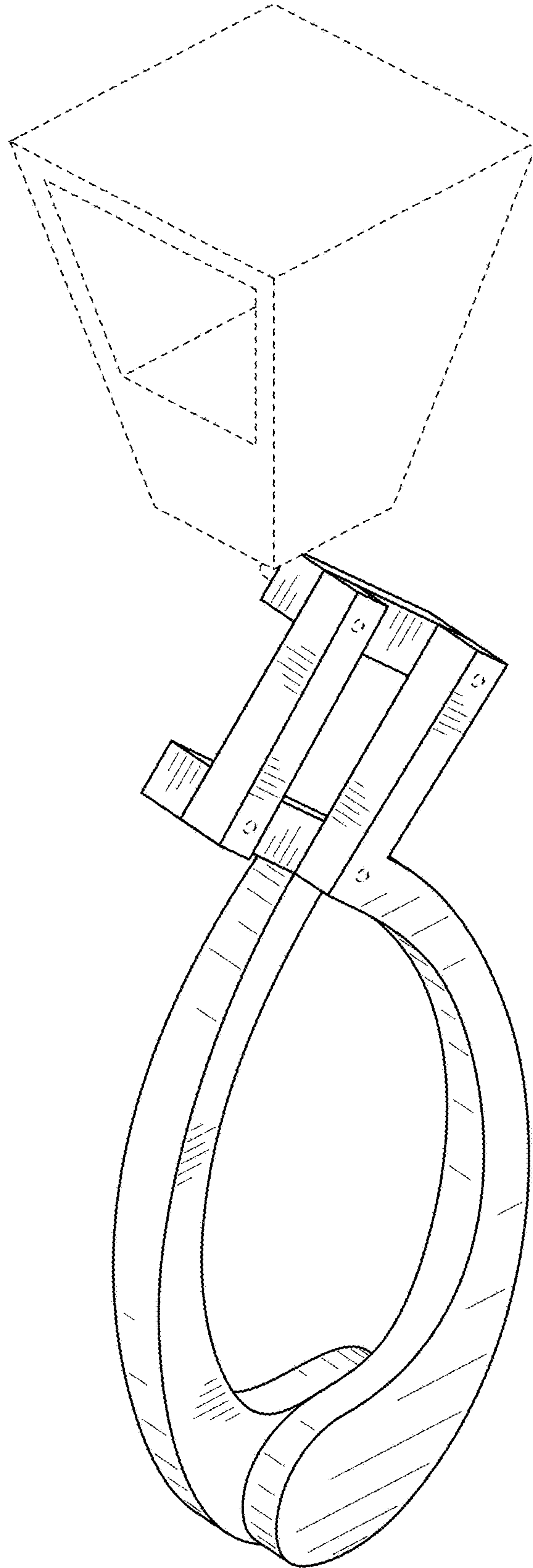


FIG. 1

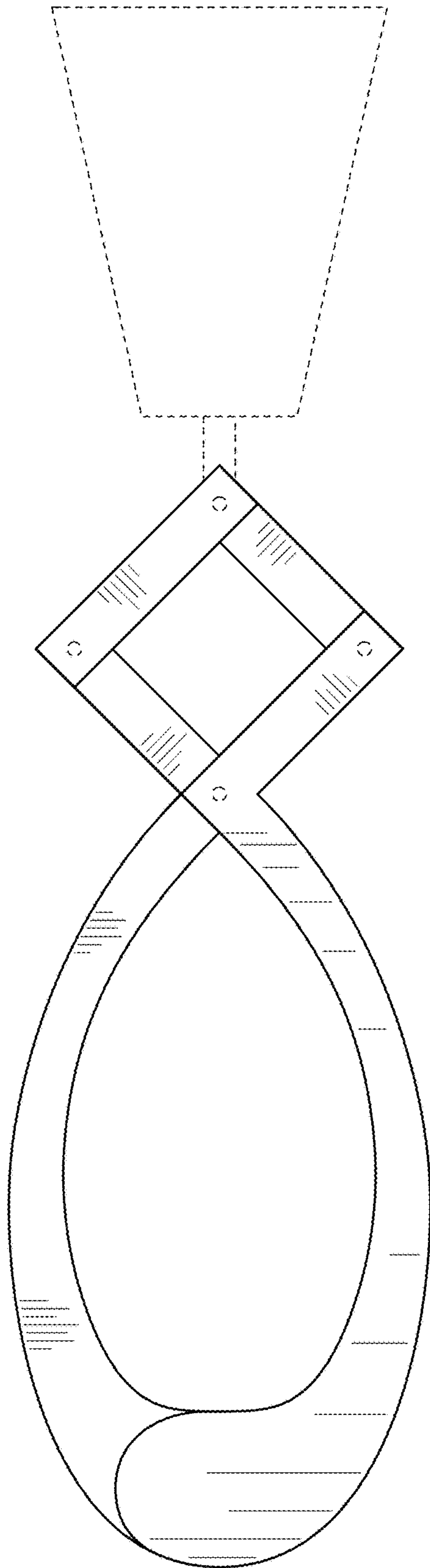


FIG. 2

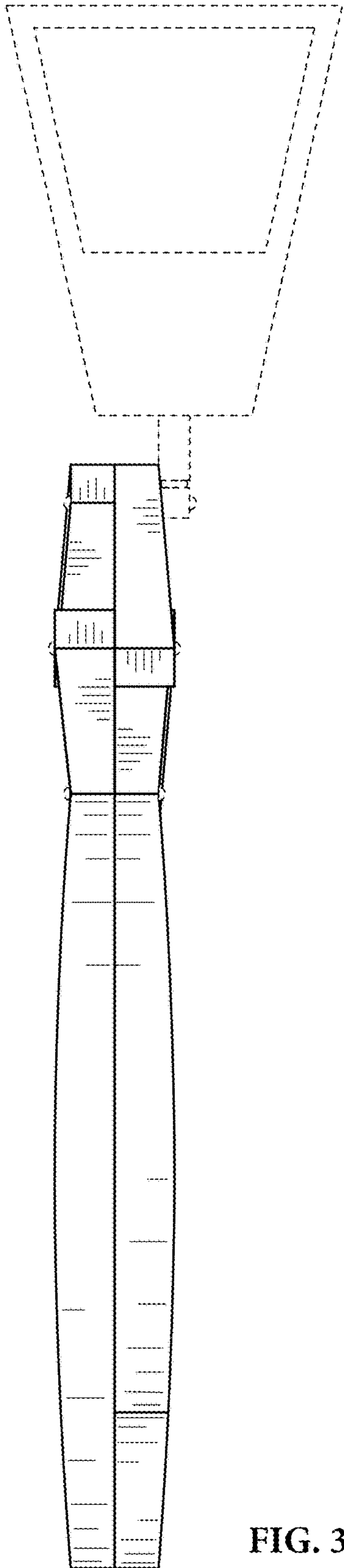


FIG. 3

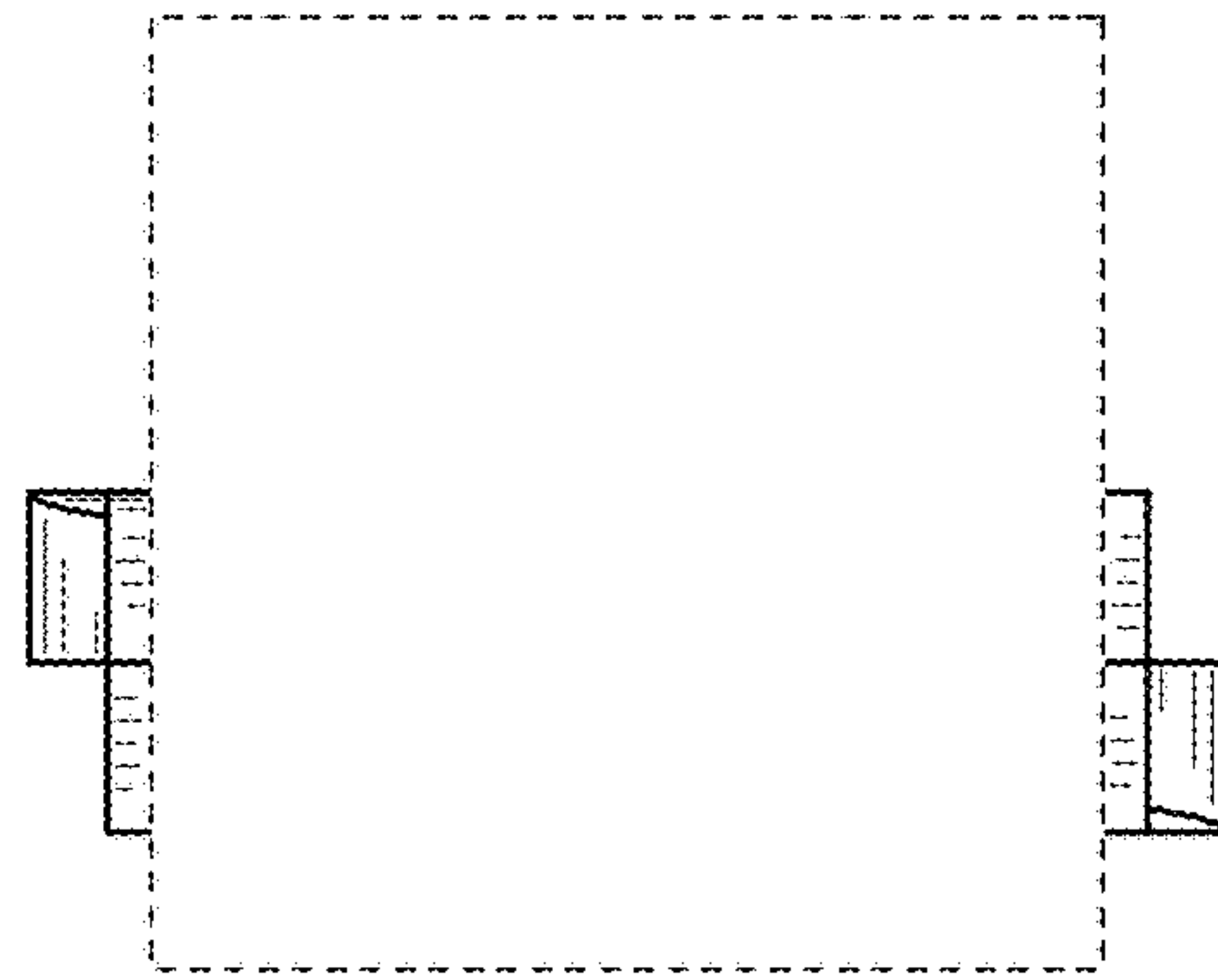


FIG. 4

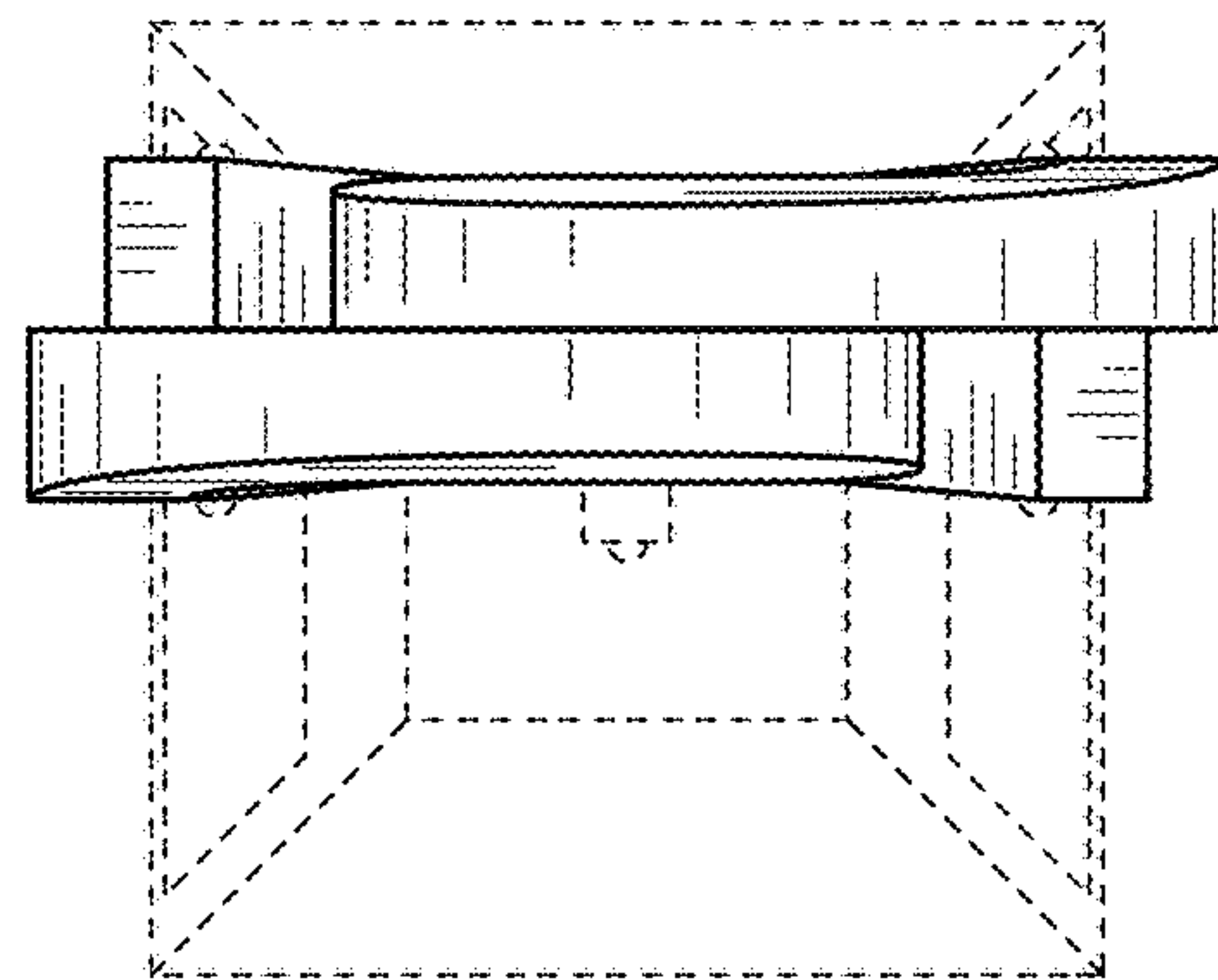


FIG. 5

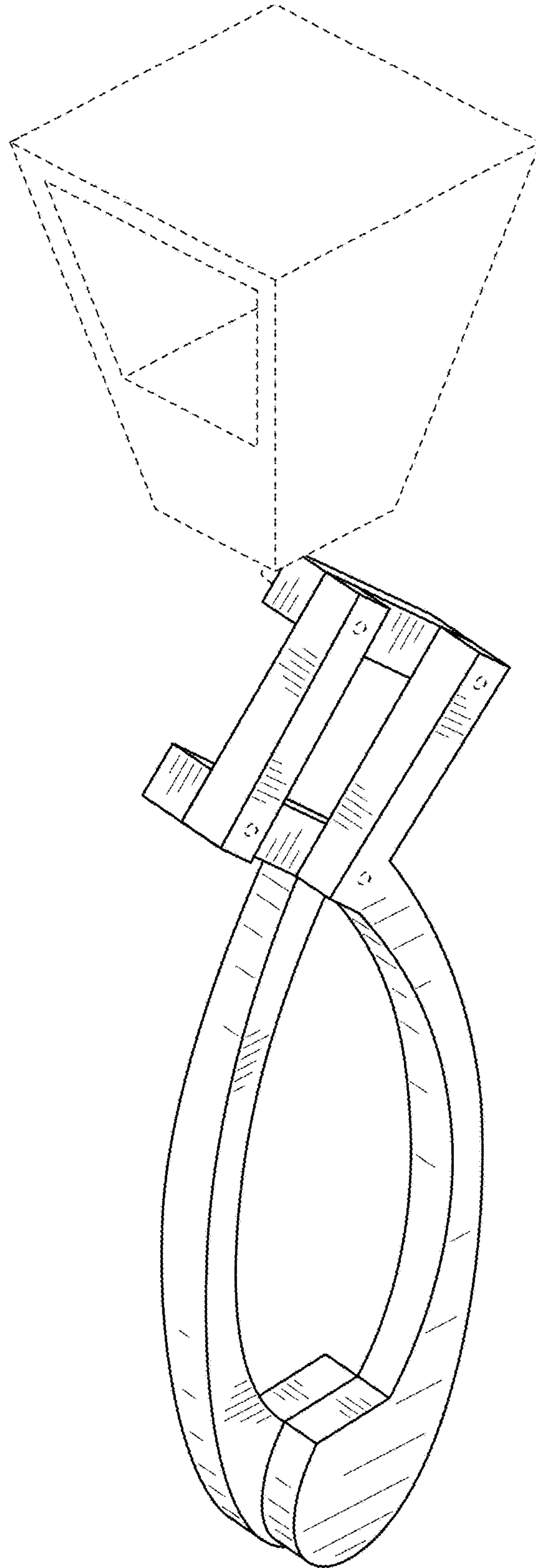


FIG. 6

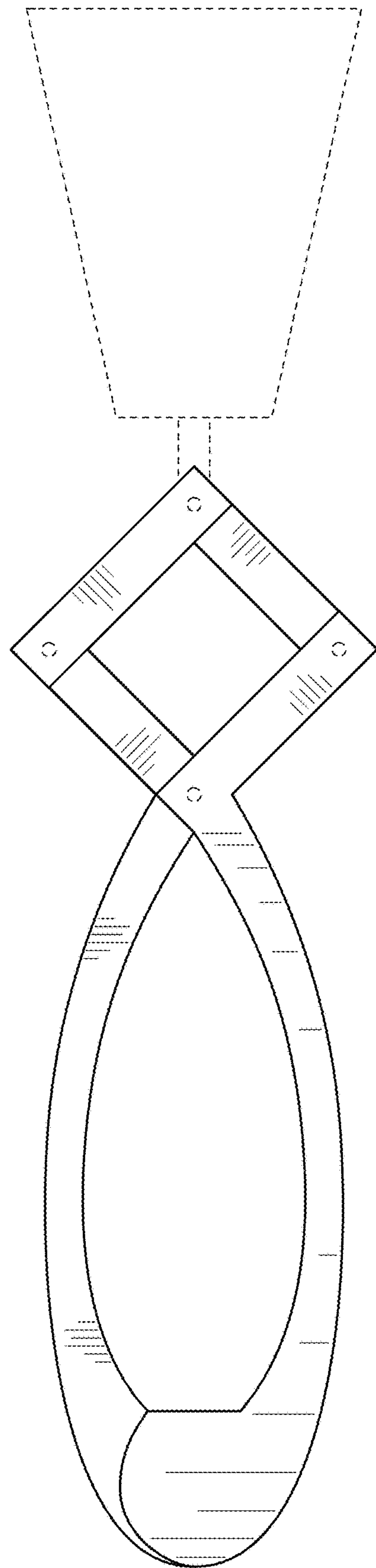


FIG. 7

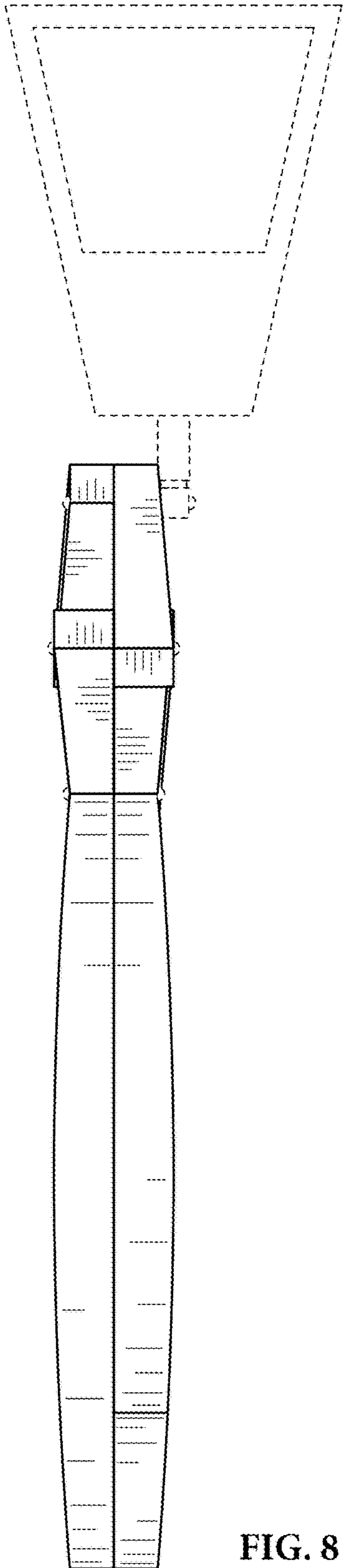


FIG. 8

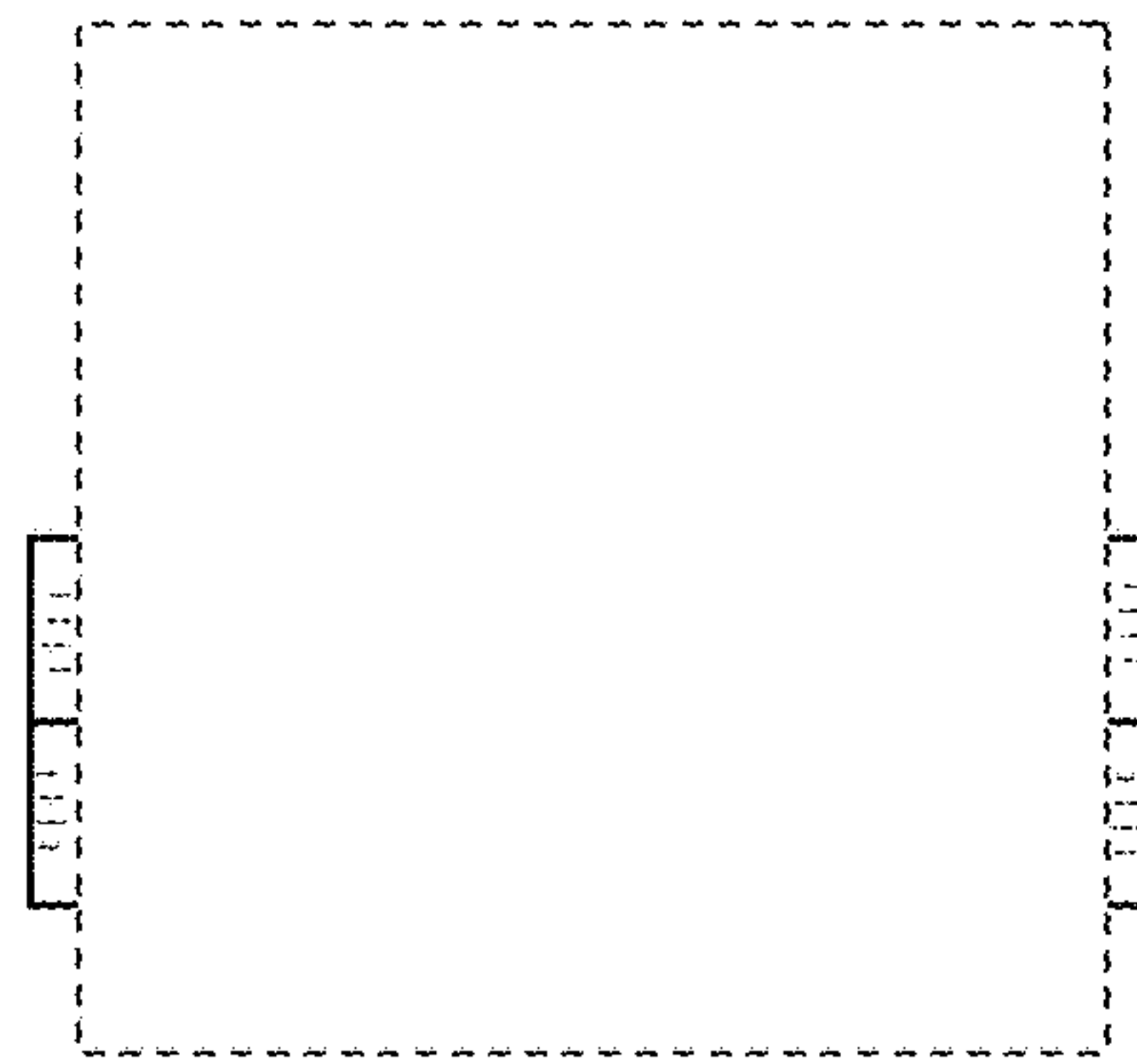


FIG. 9

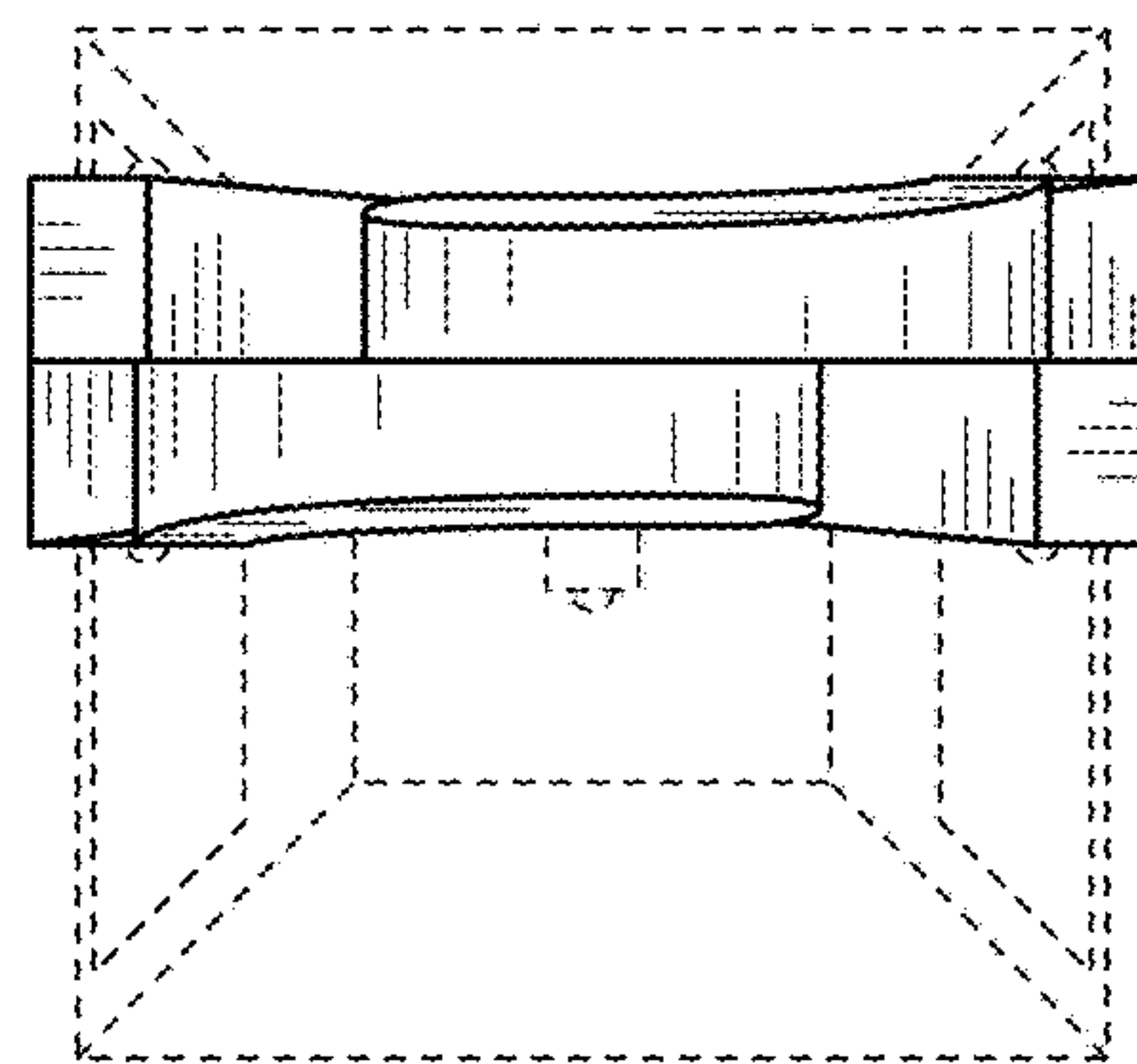


FIG. 10