



US00D824278S

(12) **United States Design Patent**  
**Sallard**

(10) **Patent No.:** **US D824,278 S**

(45) **Date of Patent:** **\*\* Jul. 31, 2018**

(54) **PENDANT**

(71) Applicant: **Cartier International AG**, Steinhausen (CH)

(72) Inventor: **Emmanuelle Sallard**, Paris (FR)

(73) Assignee: **Cartier International AG**, Steinhausen (CH)

(\*\*) Term: **15 Years**

(21) Appl. No.: **29/605,485**

(22) Filed: **May 26, 2017**

(51) **LOC (11) Cl.** ..... **11-01**

(52) **U.S. Cl.**  
USPC ..... **D11/79**; D11/91

(58) **Field of Classification Search**  
USPC ... D11/1, 2, 7, 8, 11, 26-39, 40, 41, 42, 43, D11/44, 56, 79-86, 91, 92  
CPC .. A44C 5/00; A44C 1/00; A44C 7/002; A44C 11/00; A44C 11/007; A44C 23/00; A44C 25/00; A44C 25/001; A44C 25/007; A44C 17/02; A44C 17/0241; A44C 17/0266; A44C 17/0175; A44C 9/00; A44C 9/0007; A44C 9/0015; A44C 9/0023; A44C 9/003; A44C 9/0038; A44C 9/0046; A44C 9/0053; A44C 9/0061; A44C 9/0069; A44C 9/0076; A44C 9/0084; A44C 9/02; A44C 15/001

See application file for complete search history.

(56) **References Cited**

**U.S. PATENT DOCUMENTS**

D55,597 S \* 7/1920 Felger ..... D11/91  
D62,226 S \* 4/1923 Wodiska ..... D11/36  
D67,450 S \* 6/1925 Faigin ..... D11/47  
D73,110 S \* 7/1927 Stern ..... D11/90  
2,423,905 A \* 7/1947 Schuler, Jr. .... A44C 7/006  
63/14.5  
D170,809 S \* 11/1953 Katz ..... D11/40

D308,180 S \* 5/1990 Bulgari ..... D11/42  
D413,279 S \* 8/1999 Steinberg ..... D11/91  
6,442,971 B1 \* 9/2002 Gurevich ..... A44C 17/002  
63/26  
D549,612 S \* 8/2007 Kothari ..... A44C 17/046  
D11/25  
D553,543 S \* 10/2007 Kothari ..... D11/92  
D587,159 S \* 2/2009 Dholakiya ..... D11/91  
D622,173 S \* 8/2010 Blad ..... D11/40  
D648,651 S \* 11/2011 Sin ..... D11/40  
D668,984 S \* 10/2012 Sasportas ..... D11/1  
D680,897 S \* 4/2013 Li ..... D11/91  
D680,898 S \* 4/2013 Dholakiya ..... D11/40  
D727,773 S \* 4/2015 Kwon ..... D11/42  
D729,107 S \* 5/2015 Riviere ..... D11/42  
D754,024 S \* 4/2016 Yep ..... D11/92

(Continued)

**OTHER PUBLICATIONS**

[online] white-gold-and-diamond-etincelle-de-cartier-necklace-p00000000005873138. Retrieved Mar. 3, 2018.\*

*Primary Examiner* — Melanie Pellegrini  
(74) *Attorney, Agent, or Firm* — Taft Stettinius & Hollister LLP

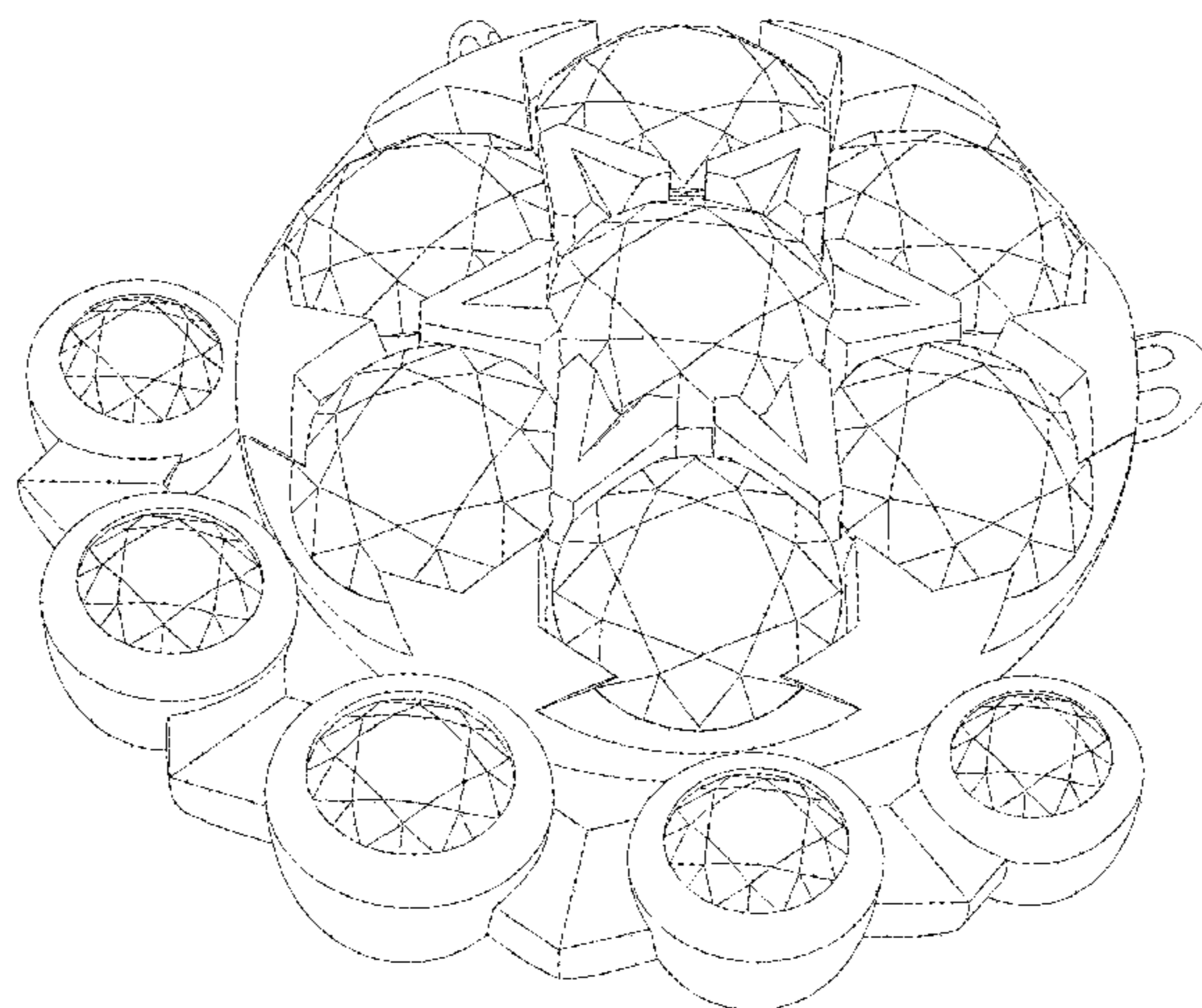
(57) **CLAIM**

The ornamental design for a pendant, as shown and described.

**DESCRIPTION**

FIG. 1 is a front elevational view of a pendant showing my new design;  
FIG. 2 is a back elevational view thereof;  
FIG. 3 is a right side elevational view thereof;  
FIG. 4 is a left side elevational view thereof;  
FIG. 5 is a bottom plan view thereof;  
FIG. 6 is a top plan view thereof; and,  
FIG. 7 is a front, right side perspective view thereof.

**1 Claim, 7 Drawing Sheets**



(56)

**References Cited**

U.S. PATENT DOCUMENTS

D762,510 S *	8/2016	de Castellane .....	D11/1
D763,720 S *	8/2016	Yatsugi-Kang .....	D11/40
D791,012 S *	7/2017	Krainz .....	D11/34
D811,263 S *	2/2018	Yep .....	D11/92

\* cited by examiner

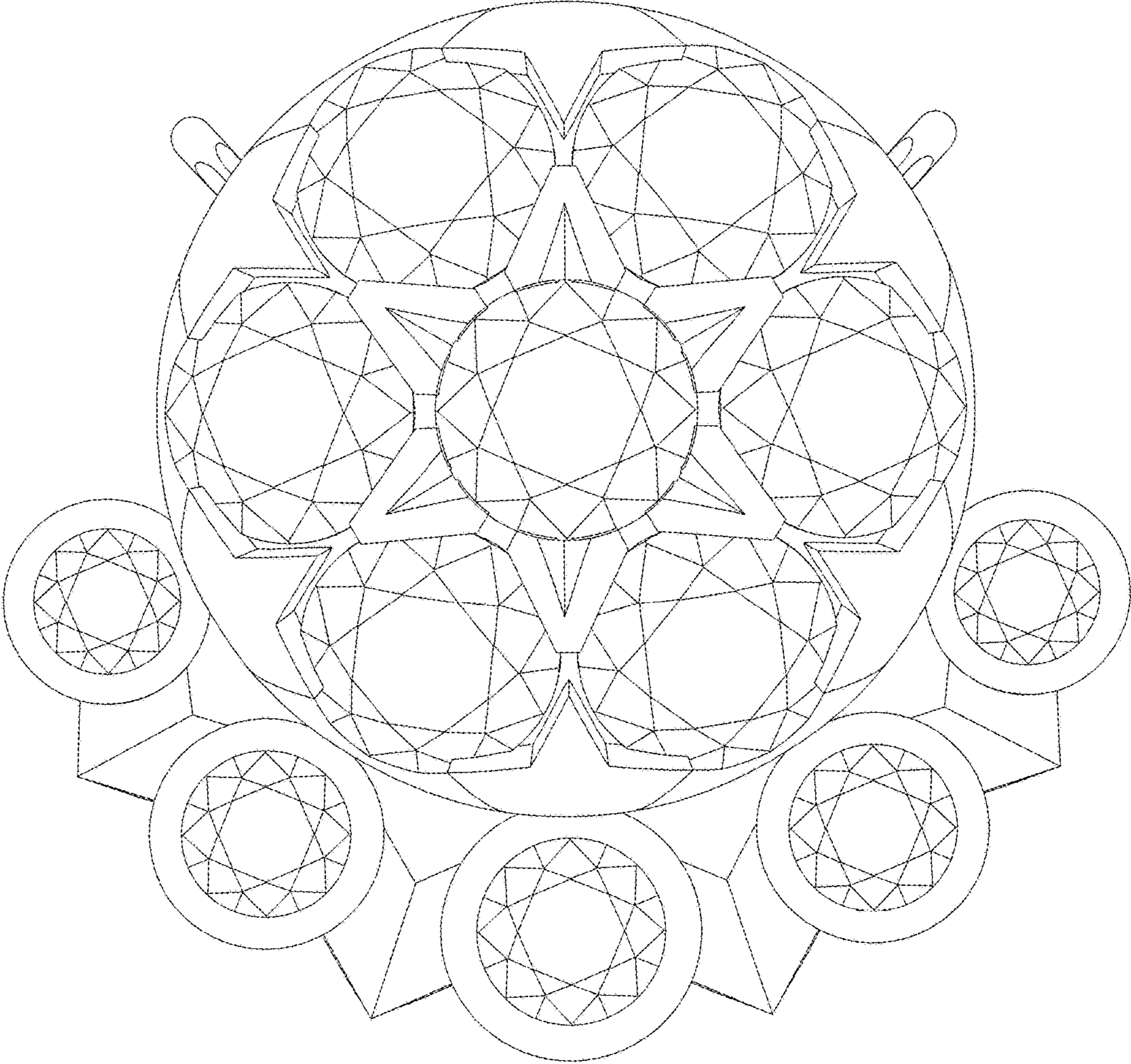


Fig. 1

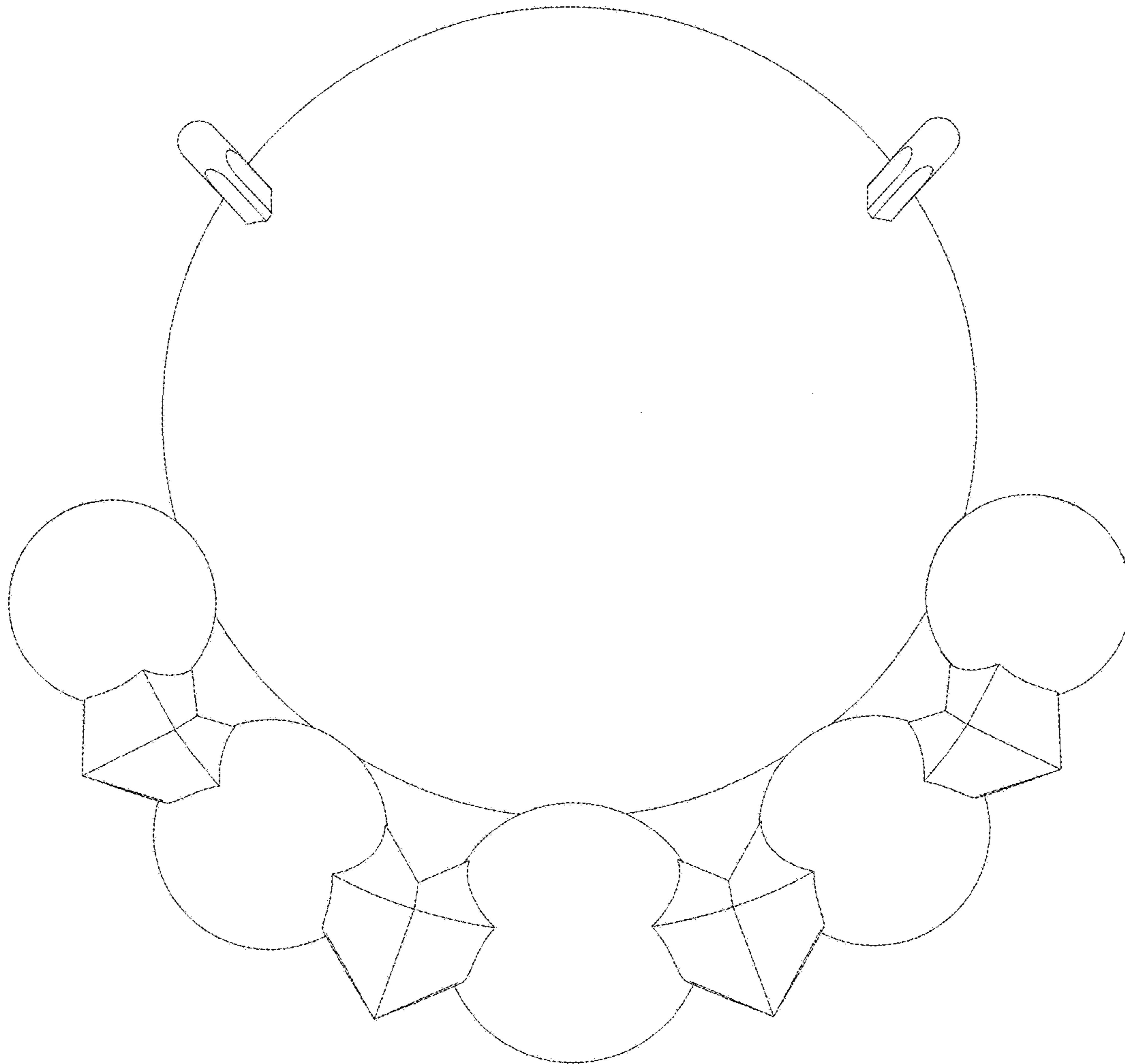


Fig. 2

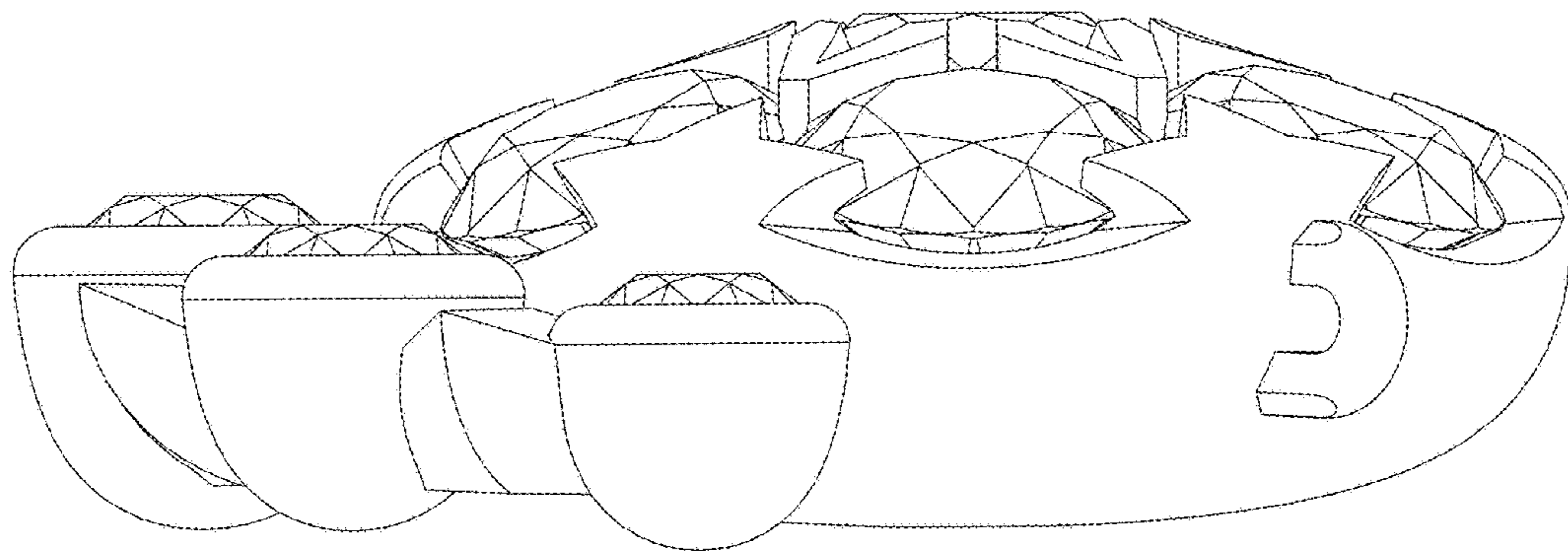


Fig. 3

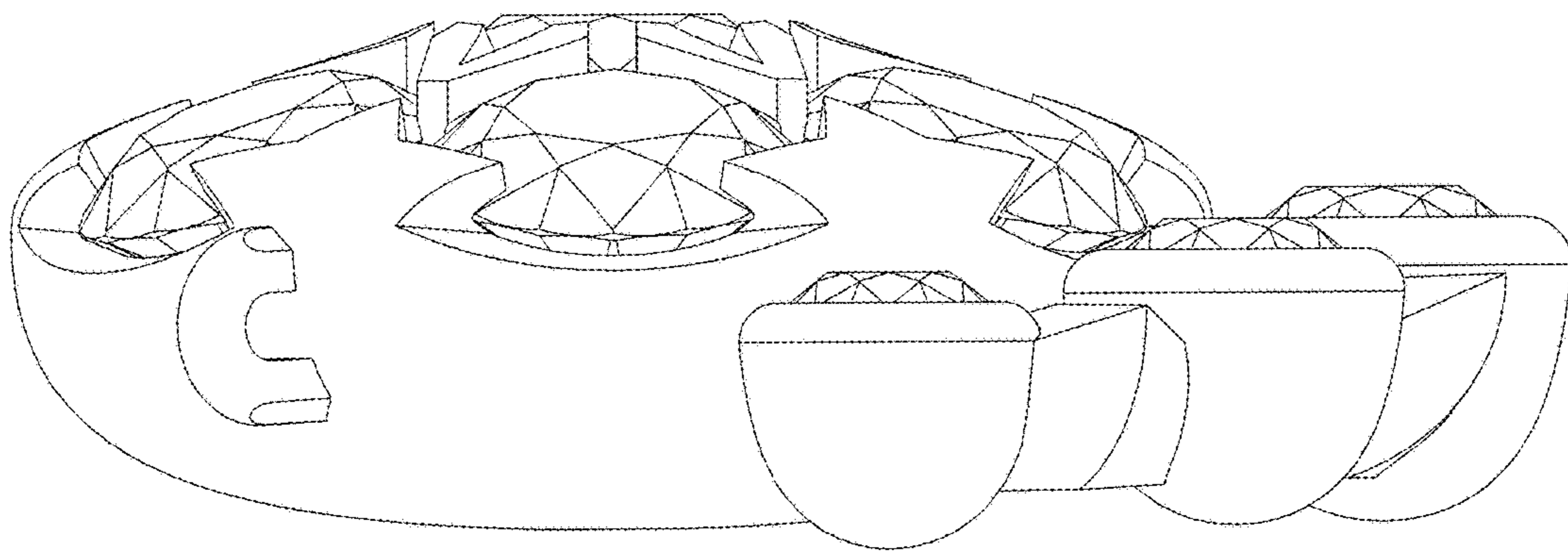


Fig. 4

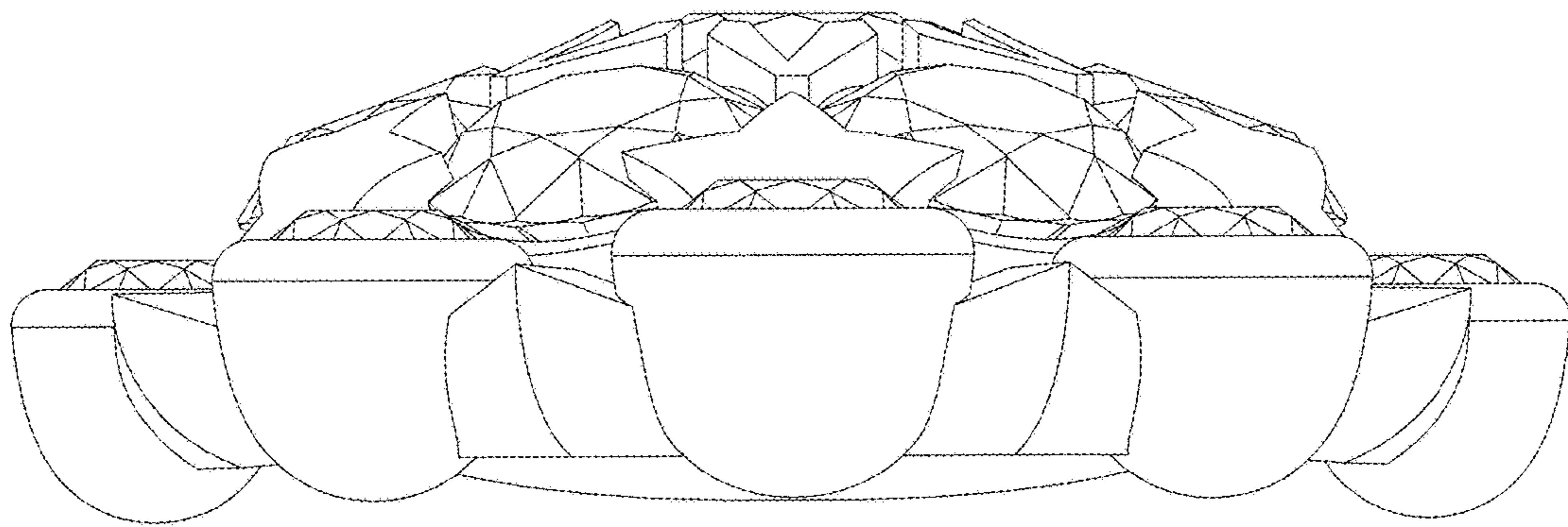


Fig. 5

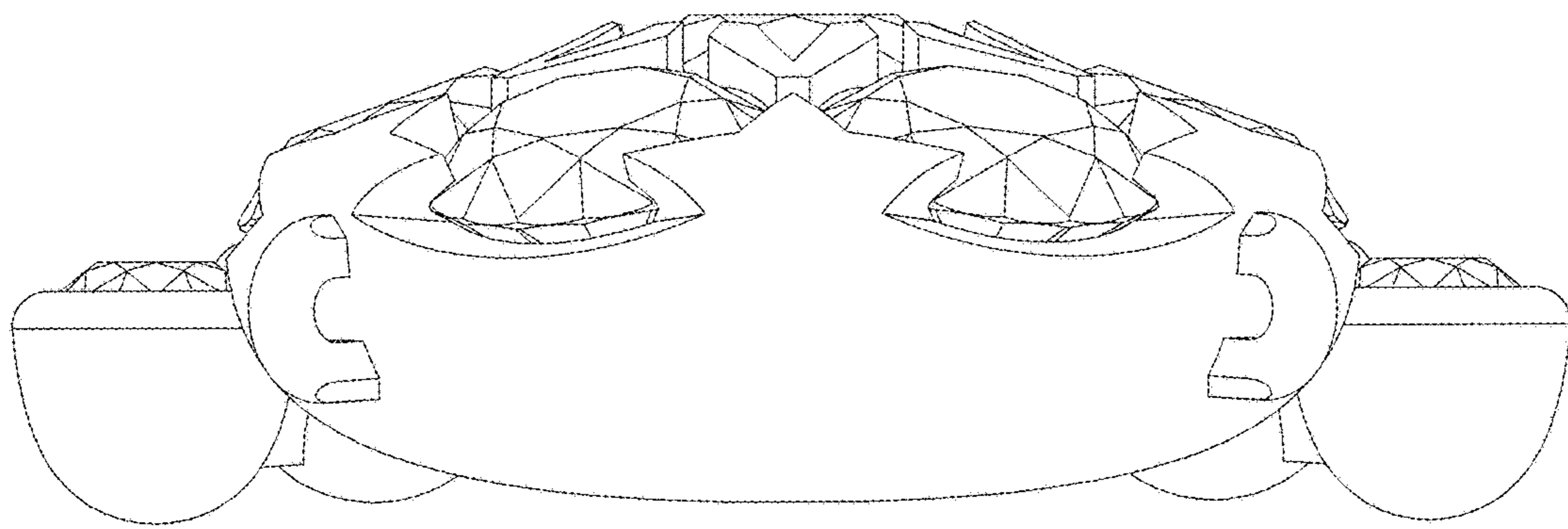


Fig .6



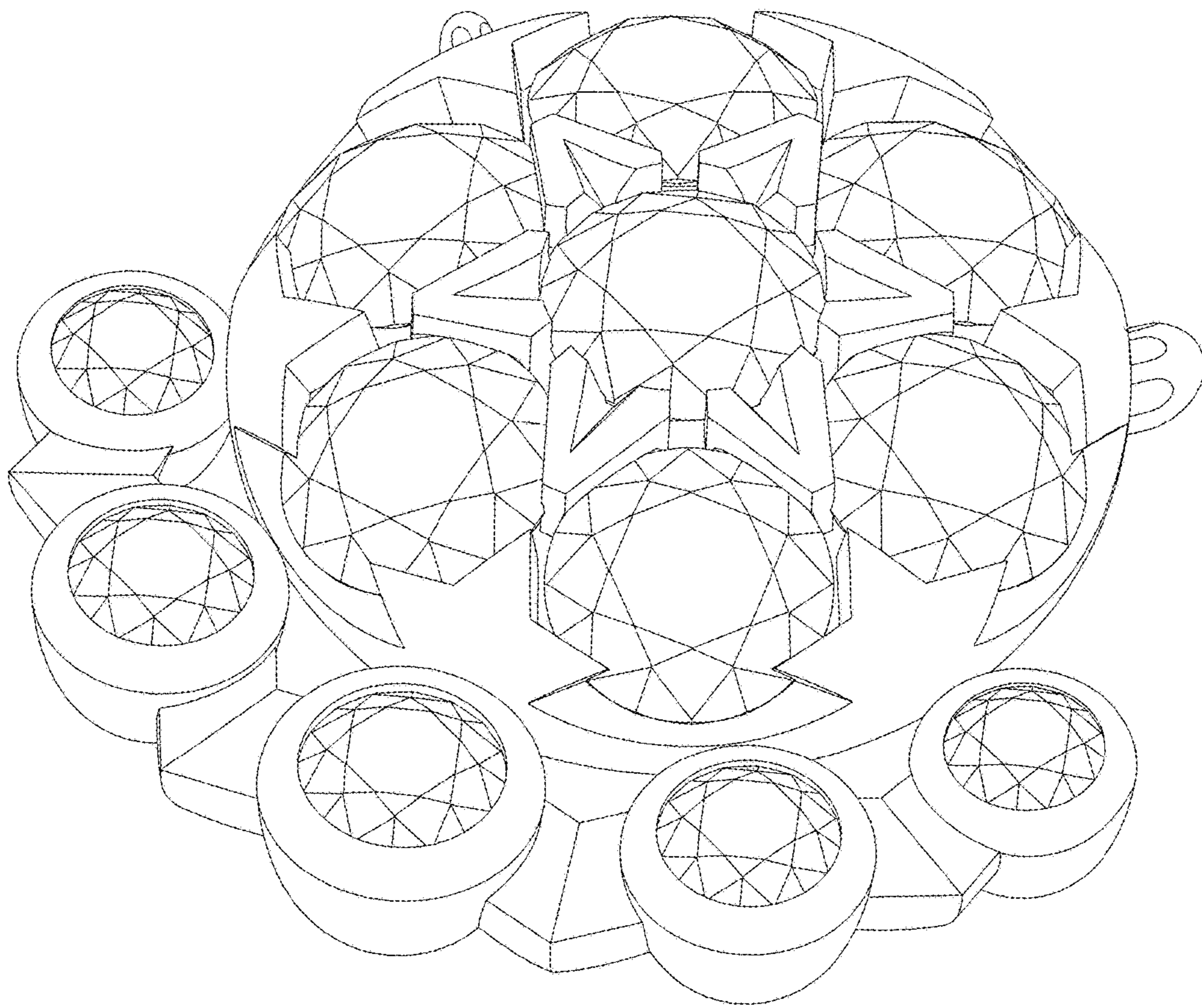


Fig. 7