



US00D824277S

(12) **United States Design Patent**
Sallard

(10) **Patent No.:** **US D824,277 S**
(45) **Date of Patent:** **** Jul. 31, 2018**

(54) **EARRING**
(71) Applicant: **Cartier International AG**, Steinhausen (CH)
(72) Inventor: **Emmanuelle Sallard**, Paris (FR)
(73) Assignee: **Cartier International AG**, Steinhausen (CH)
(**) Term: **15 Years**
(21) Appl. No.: **29/605,487**

D264,060 S * 4/1982 Epstein 63/13
4,688,400 A * 8/1987 Chioffe A44C 7/003
63/12
D308,180 S * 5/1990 Bulgari D11/42
D325,712 S * 4/1992 Griffith 40/27.5
5,170,643 A * 12/1992 Porcell, Jr. A44C 7/003
63/12
5,588,309 A * 12/1996 Chioffe A44C 7/003
24/705
D413,279 S * 8/1999 Steinberg D11/91
6,202,335 B1 * 3/2001 Shelton G09F 3/20
206/449
6,220,318 B1 * 4/2001 Pinti A45C 3/06
150/103

(Continued)

(22) Filed: **May 26, 2017**
(51) **LOC (11) Cl.** **11-01**
(52) **U.S. Cl.**
USPC **D11/43**
(58) **Field of Classification Search**
USPC D11/1, 2, 7, 8, 40-86, 91, 92
CPC A44C 5/00; A44C 1/00; A44C 7/00; A44C
7/002; A44C 7/003; A44C 7/004; A44C
7/005; A44C 7/006; A44C 7/007; A44C
7/008; A44C 7/009; A44C 11/00; A44C
11/007; A44C 23/00; A44C 25/00; A44C
25/001; A44C 25/007; A44C 17/02; A44C
17/0241; A44C 17/0266; A44C 17/0175;
A44C 9/00; A44C 9/0007; A44C 9/0015;
A44C 9/0023; A44C 9/003; A44C
9/0038; A44C 9/0046; A44C 9/0053;
A44C 9/0061; A44C 9/0069; A44C
9/0076; A44C 9/0084; A44C 9/02; A44C
15/001

See application file for complete search history.

(56) **References Cited**

U.S. PATENT DOCUMENTS

D55,597 S * 7/1920 Felger D11/91
D62,226 S * 4/1923 Wodiska D11/36
D67,450 S * 6/1925 Faigin D11/47
2,423,905 A * 7/1947 Schuler, Jr. A44C 7/006
63/14.5
D170,809 S * 11/1953 Katz D11/40

OTHER PUBLICATIONS

[online] <http://www.cartier.com/en-us/collections/engagement/gifts/daily-diamonds/n8515102-etincelle-de-cartier-earrings.html>.
Retrieved Mar. 3, 2018.*

(Continued)

Primary Examiner — Melanie Pellegrini
(74) *Attorney, Agent, or Firm* — Taft Stettinius & Hollister LLP

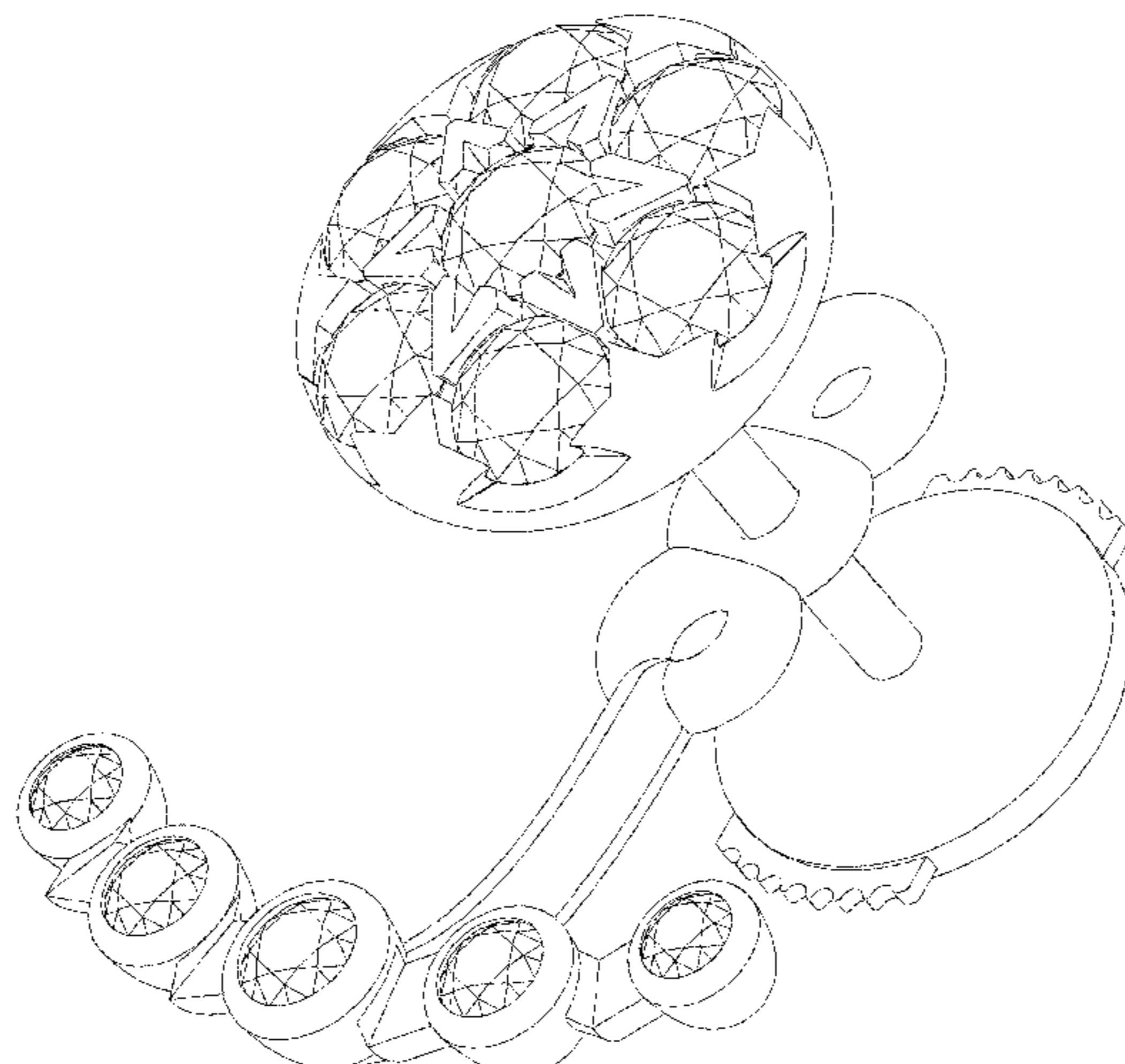
(57) **CLAIM**

The ornamental design for an earring, as shown and described.

DESCRIPTION

FIG. 1 is a front elevational view of an earring showing my new design;
FIG. 2 is a back elevational view thereof;
FIG. 3 is a right side elevational view thereof;
FIG. 4 is a left side elevational view thereof;
FIG. 5 is a bottom plan view thereof;
FIG. 6 is a top plan view thereof; and,
FIG. 7 is a front, right side perspective view thereof.

1 Claim, 7 Drawing Sheets



(56)

References Cited

U.S. PATENT DOCUMENTS

D471,479 S * 3/2003 Waldman D11/1
 D471,480 S * 3/2003 Waldman D11/1
 6,634,501 B2 * 10/2003 Su B25H 3/003
 206/1.5
 6,851,591 B2 * 2/2005 Wissman A45F 5/02
 224/245
 D549,612 S * 8/2007 Kothari A44C 17/046
 D11/25
 D553,543 S * 10/2007 Kothari D11/92
 D587,159 S * 2/2009 Dholakiya D11/91
 D622,173 S * 8/2010 Blad D11/40
 D648,651 S * 11/2011 Sin D11/40
 8,261,912 B1 * 9/2012 Ingrey-Senn A47F 5/0006
 206/349
 D668,984 S * 10/2012 Sasportas D11/1
 D680,897 S * 4/2013 Li D11/91
 8,875,429 B1 * 11/2014 Ziegler G09F 3/04
 40/673

D762,510 S * 8/2016 de Castellane D11/1
 D763,720 S * 8/2016 Yatsugi-Kang D11/40
 D791,012 S * 7/2017 Krainz D11/34
 D811,263 S * 2/2018 Yep D11/92
 2005/0150252 A1 * 7/2005 Renter A44C 7/003
 63/12
 2009/0013722 A1 * 1/2009 Walters A44C 7/00
 63/13
 2017/0196344 A1 * 7/2017 Nakamura A45F 3/04

OTHER PUBLICATIONS

[online] <http://www.styleskier.com/earring-jackets-redesigning-the-earrings/hof-trend-pointed-earring-jackets-dhlnplf/>. Retrieved Mar. 3, 2018.*
 [online] <https://sparkofsilver.com/silver-jewelry/sterling-silver-cz-curved-earring-jackets-sbge00440/>. Retrieved Mar. 3, 2018.*

* cited by examiner

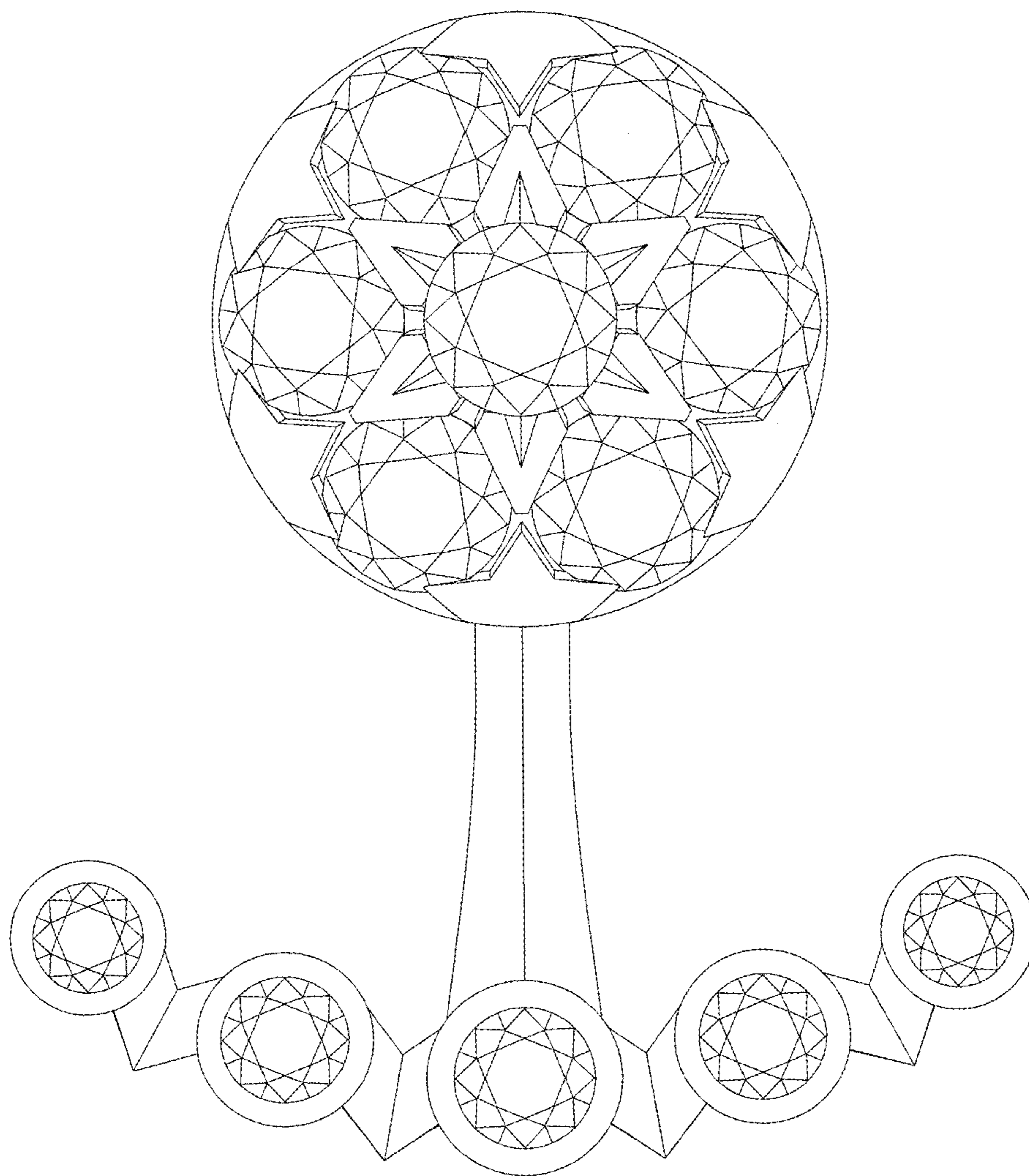


Fig. 1

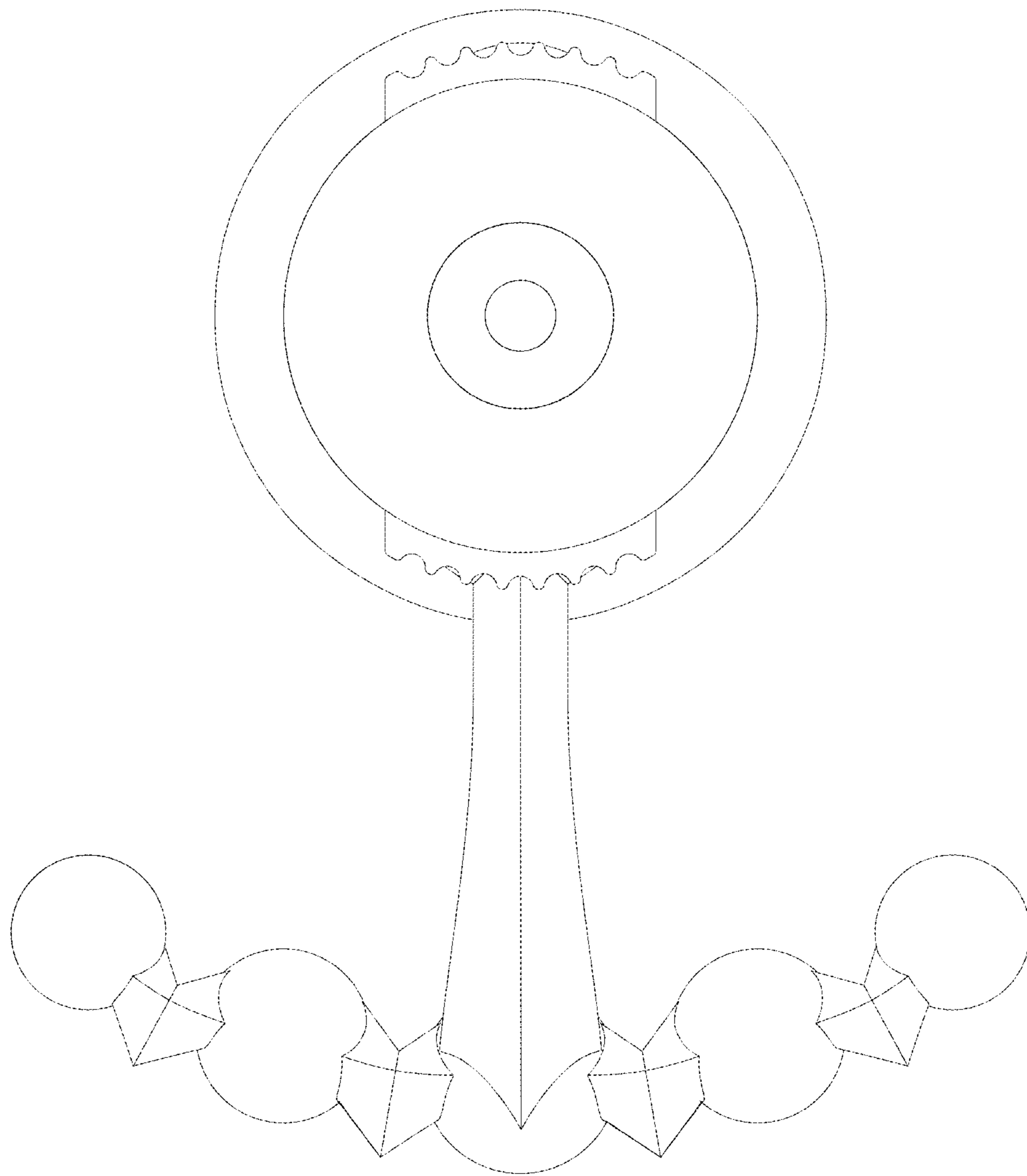


Fig. 2

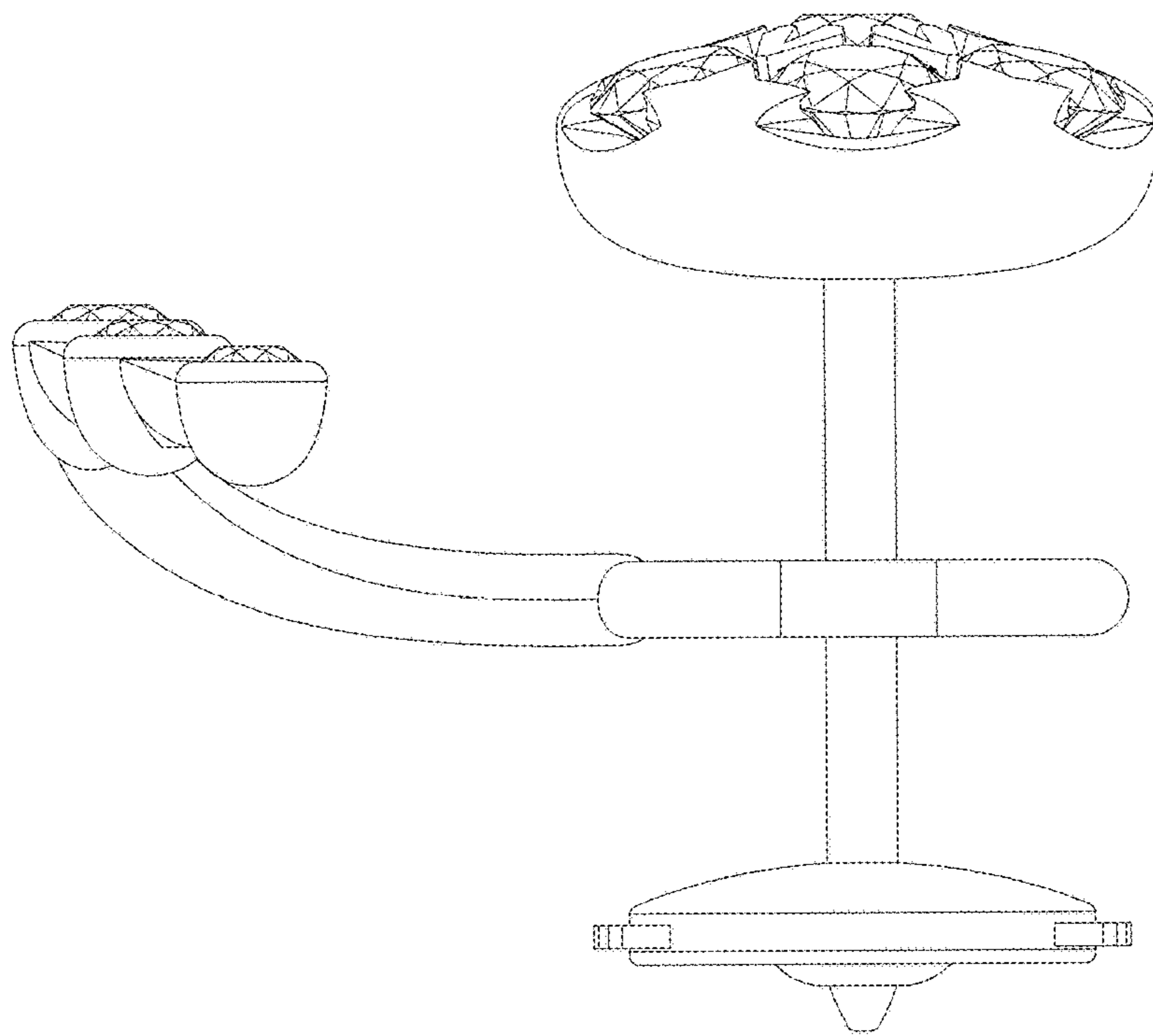


Fig. 3

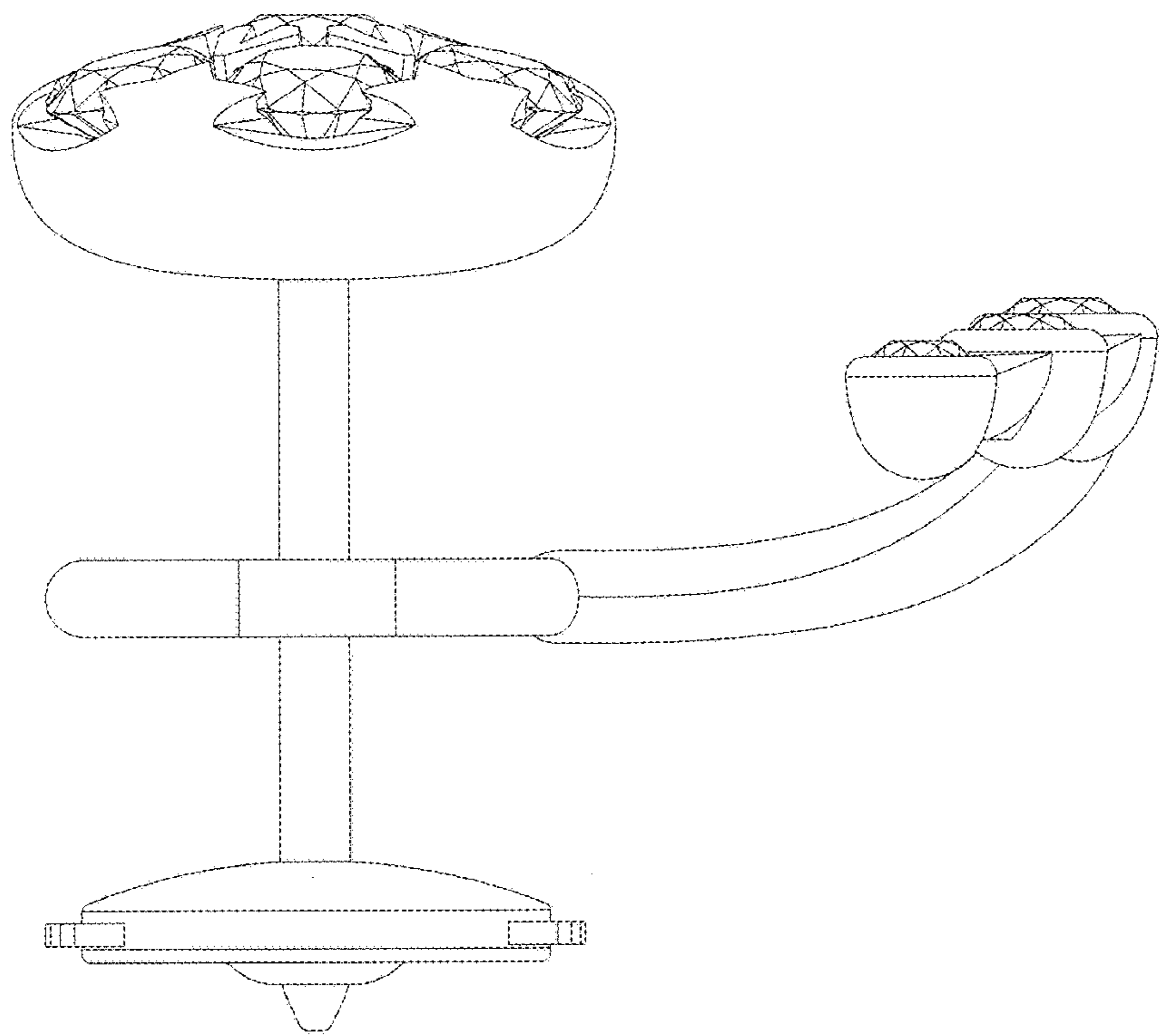


Fig. 4

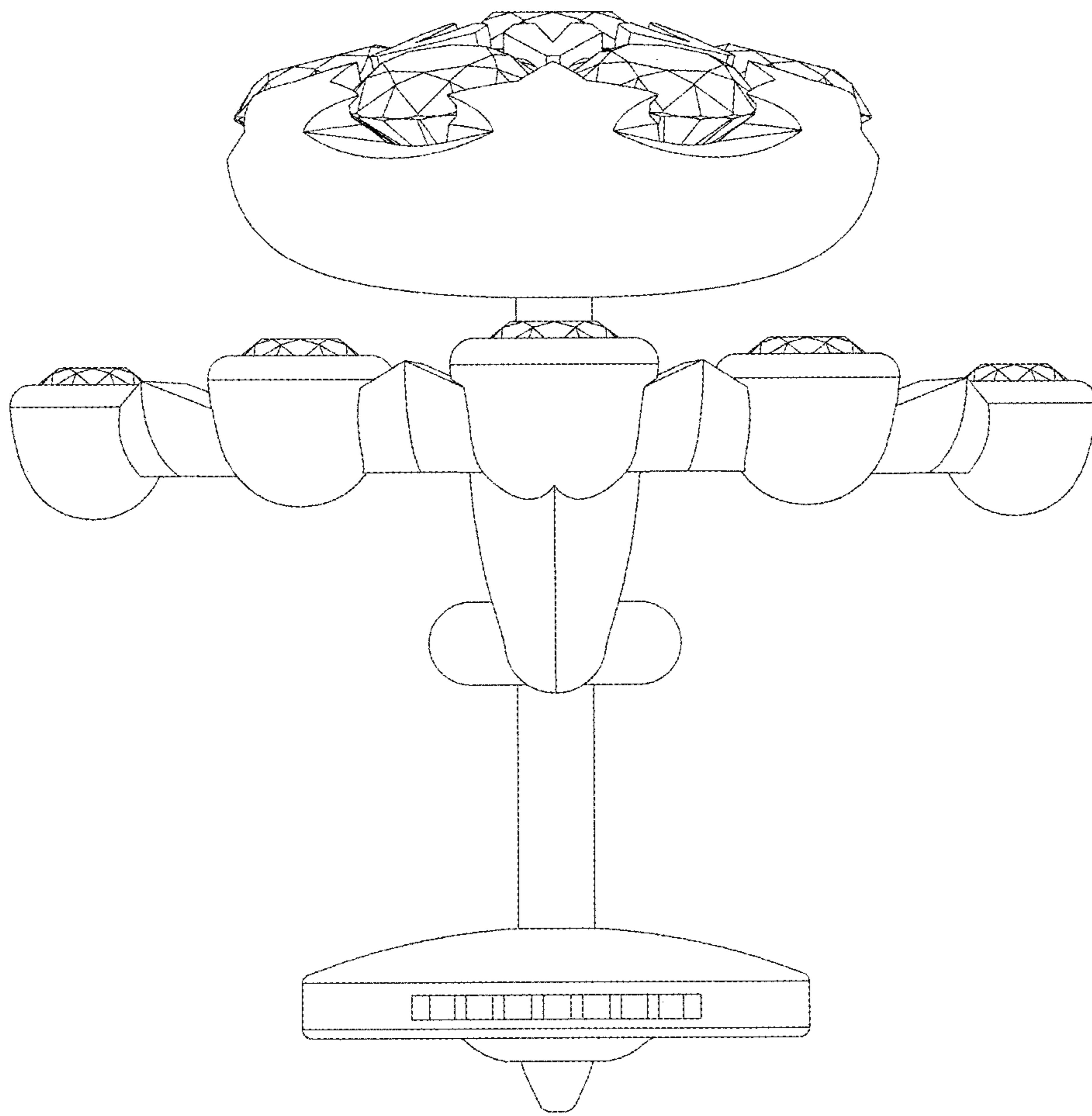


Fig. 5

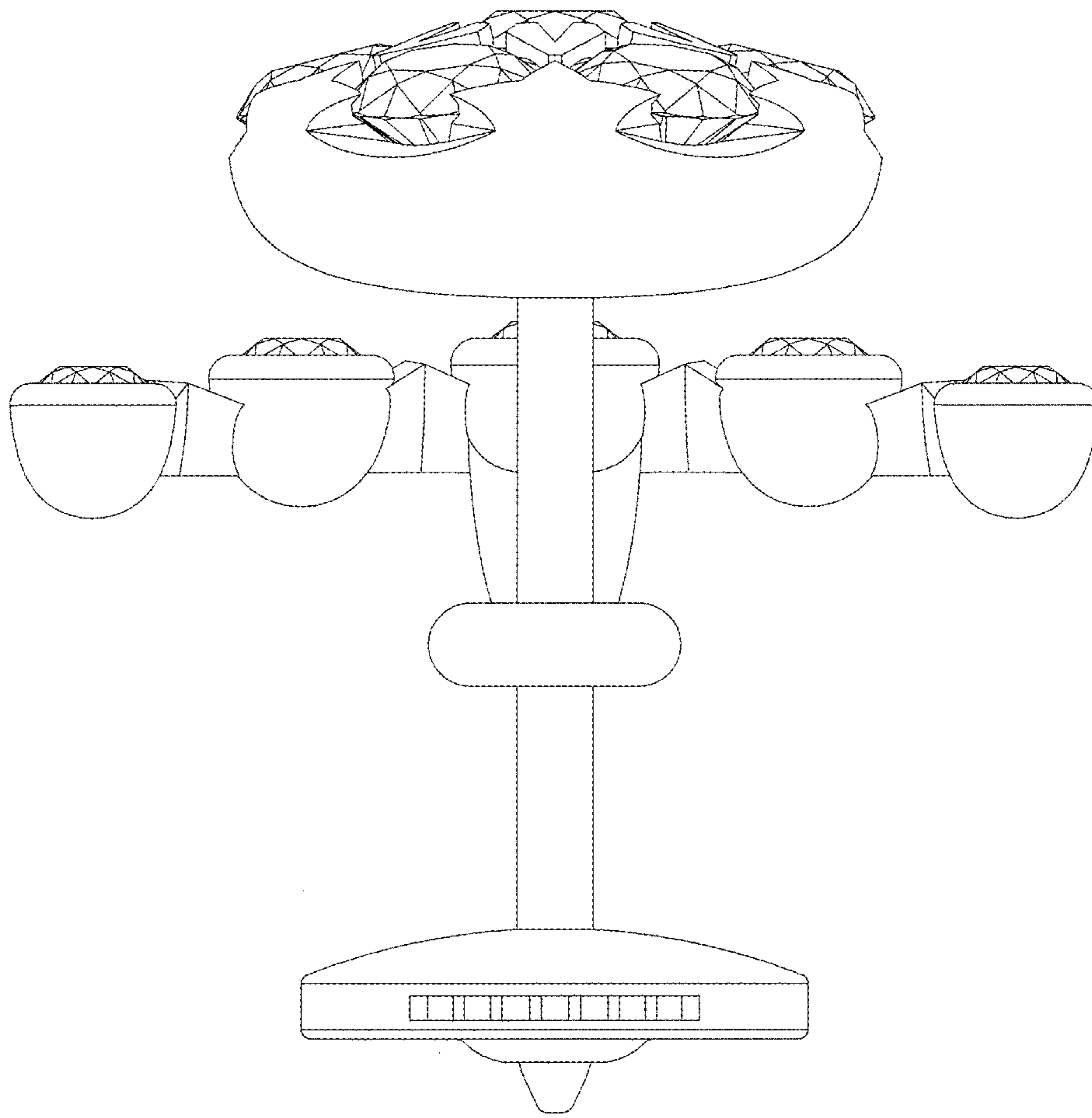


Fig. 6

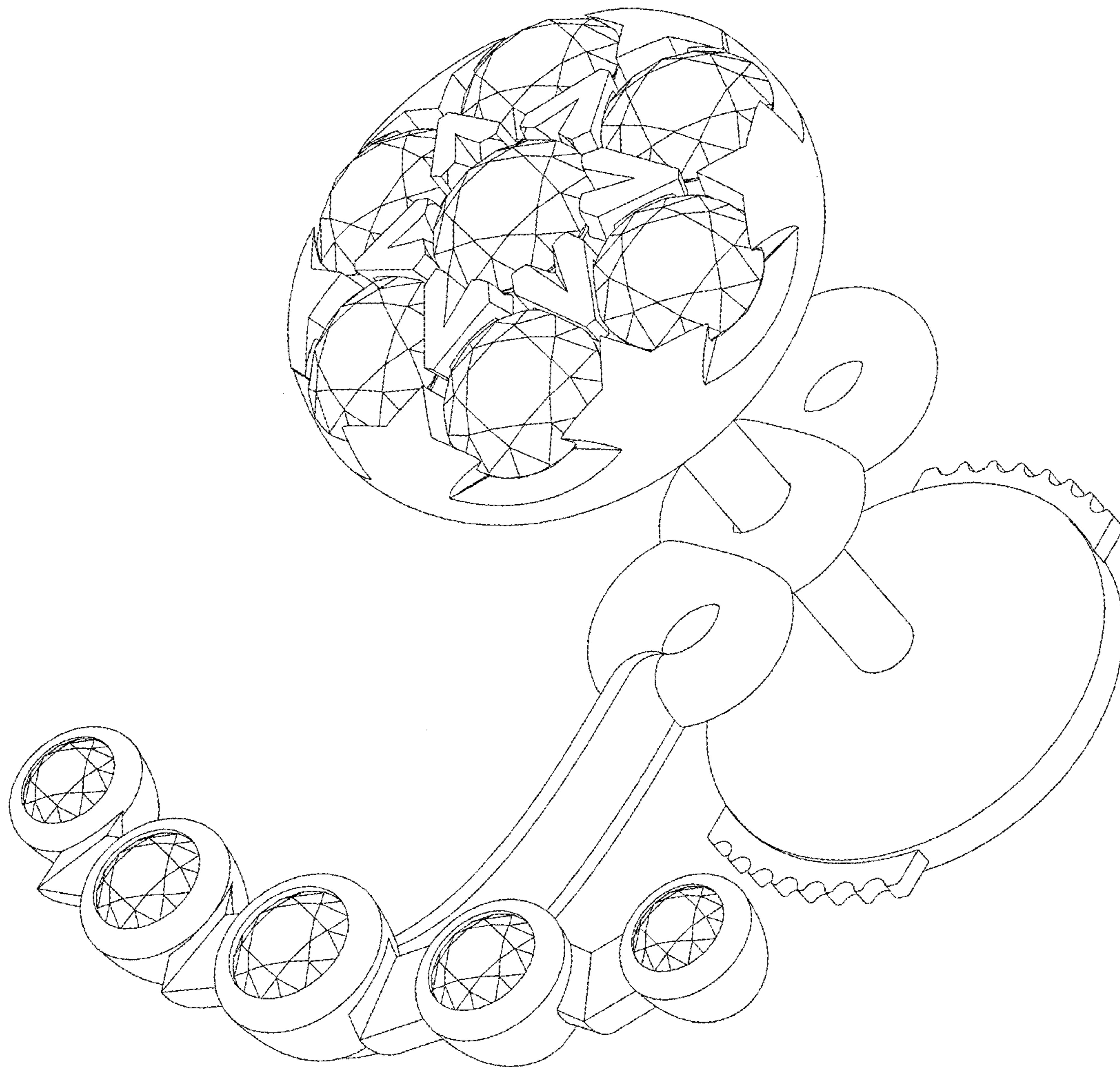


Fig. 7