



US00D824264S

(12) **United States Design Patent**  
**Toribio et al.**

(10) **Patent No.:** **US D824,264 S**  
(45) **Date of Patent:** **\*\* Jul. 31, 2018**

- (54) **CONTAINER WITH RIBBED NECK**
- (71) Applicant: **Silgan Plastics LLC**, Chesterfield, MO (US)
- (72) Inventors: **Anthony Toribio**, Suwanee, GA (US);  
**Randal D. Porter**, Norcross, GA (US);  
**William J. Peek**, Lawrenceville, GA (US)
- (73) Assignee: **Silgan Plastics LLC**, Chesterfield, MO (US)

3,295,708 A 1/1967 Wathen, Jr.  
4,863,046 A \* 9/1989 Collette ..... B29C 49/0073  
215/381  
4,913,299 A \* 4/1990 Petro ..... B29C 45/262  
215/216  
4,934,547 A 6/1990 Mayes et al.  
D360,582 S \* 7/1995 McDonald ..... D9/520  
D431,470 S \* 10/2000 Henderson ..... D9/520  
(Continued)

- (\*\*) Term: **15 Years**
- (21) Appl. No.: **29/527,550**
- (22) Filed: **May 20, 2015**

**Related U.S. Application Data**

- (62) Division of application No. 29/413,097, filed on Feb. 10, 2012, now Pat. No. Des. 732,391.
- (51) **LOC (11) Cl.** ..... **09-01**
- (52) **U.S. Cl.**  
USPC ..... **D9/575**
- (58) **Field of Classification Search**  
USPC ..... D9/434-436, 451, 542, 558, 521, 440,  
D9/447, 499, 500, 502, 503, 504, 516,  
D9/544, 553, 574, 575; D7/300.1, 615;  
D27/183, 190; D19/93; D24/224;  
D15/136  
CPC ..... B29D 22/003; B65D 23/00; B65D 81/00;  
B65D 83/00; B65D 1/00; B65D 1/02;  
B65D 1/0223; B65D 2501/00; B65D  
2501/0009  
See application file for complete search history.

(56) **References Cited**

**U.S. PATENT DOCUMENTS**

2,423,582 A 7/1947 Coleman  
2,790,576 A 4/1957 Lawrence

**FOREIGN PATENT DOCUMENTS**

JP 08156951 A \* 6/1996 ..... B65D 41/0471

*Primary Examiner* — Sheryl Lane  
*Assistant Examiner* — Calvin E Vansant

(74) *Attorney, Agent, or Firm* — Reinhart Boerner Van Deuren S.C.

(57) **CLAIM**

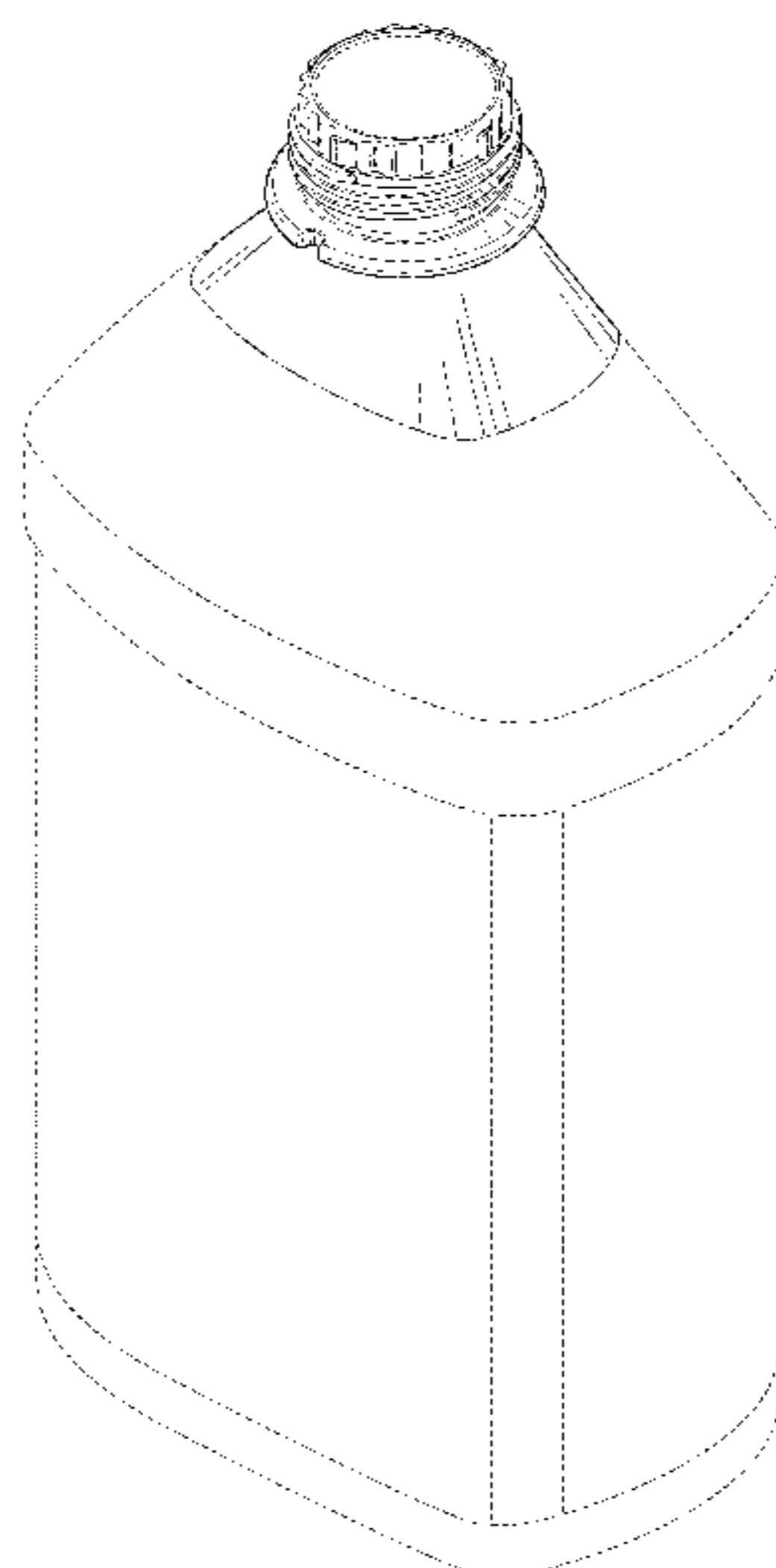
We claim the ornamental design for a container with ribbed neck, as shown and described.

**DESCRIPTION**

FIG. 1 is a perspective view of the claimed design;  
FIG. 2 is a front elevational view of the claimed design of FIG. 1;  
FIG. 3 is a right side elevational of the claimed design of FIG. 1;  
FIG. 4 is a rear elevational view of the claimed design of FIG. 1;  
FIG. 5 is a left side elevational view of the claimed design of FIG. 1;  
FIG. 6 is a top plan view of the claimed design of FIG. 1; and,  
FIG. 7 is a bottom plan view of the claimed design of FIG. 1.

The ornamental design which is claimed is shown in solid lines in the drawings. The dash-dot-dash broken lines define the boundary of the design and form no part of the claim. The dashed broken lines depict portions of the container with ribbed neck that form no part of the claim.

**1 Claim, 6 Drawing Sheets**



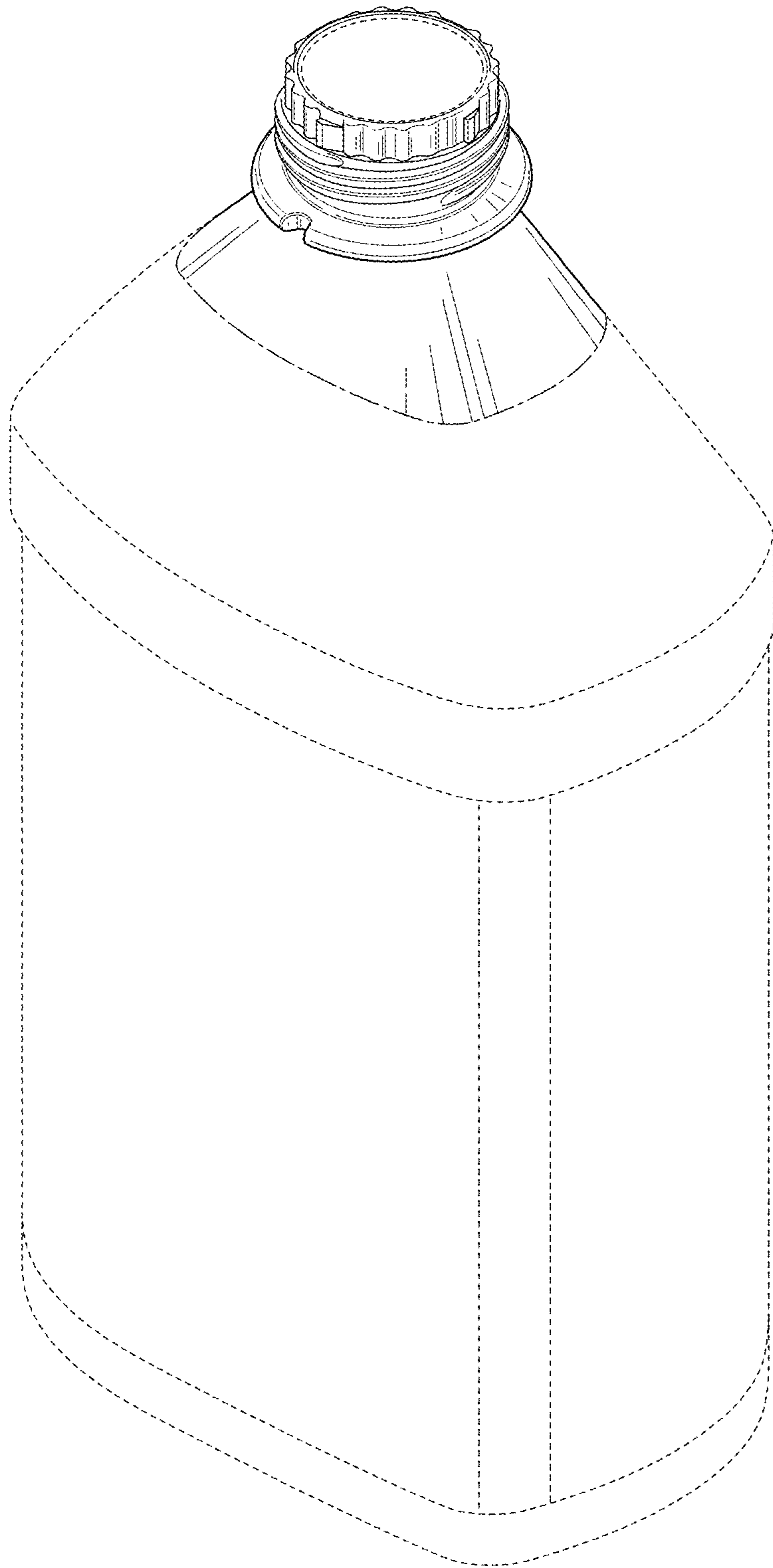
(56)

**References Cited**

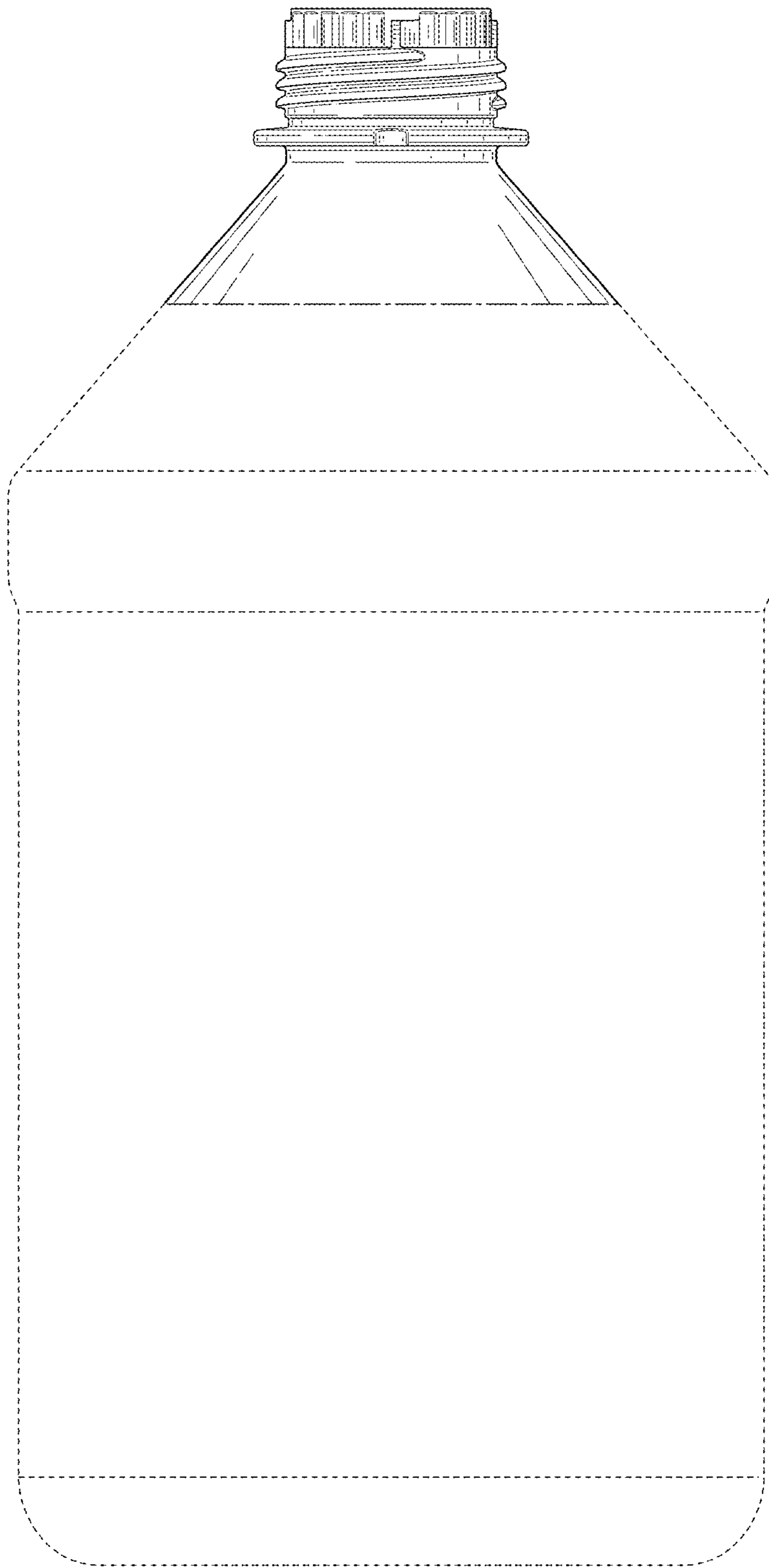
U.S. PATENT DOCUMENTS

D460,357	S	7/2002	Kras et al.	
6,648,157	B2	11/2003	Shai et al.	
D513,587	S *	1/2006	Forte .....	D9/435
D542,654	S	5/2007	Szczesniak	
D542,655	S	5/2007	Szczesniak	
D542,656	S	5/2007	Szczesniak	
D544,348	S	6/2007	Szczesniak	
D624,423	S *	9/2010	Kissinger .....	D9/516
D633,386	S	3/2011	Taber et al.	
D634,199	S	3/2011	Taber et al.	
7,976,767	B2 *	7/2011	Ungrady .....	B29B 11/14 215/40
D644,536	S *	9/2011	Witz .....	D9/499
D651,093	S *	12/2011	Van Rens .....	D9/541
D732,391	S *	6/2015	Toribio .....	D9/516
9,205,946	B2 *	12/2015	Toribio .....	B65D 1/0246
2004/0140284	A1 *	7/2004	Taylor .....	B65D 1/023 215/42
2011/0290754	A1	12/2011	Taber et al.	
2011/0290755	A1	12/2011	Taber et al.	
2012/0312769	A1 *	12/2012	Prozumenschikov .....	B65D 1/0246 215/252

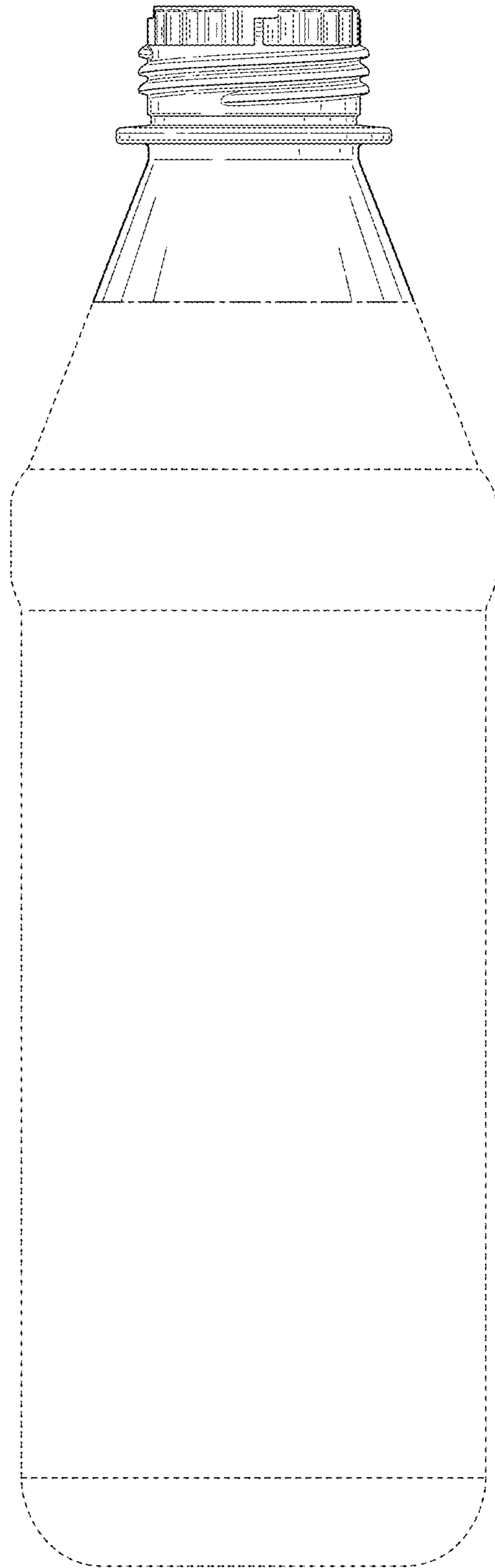
\* cited by examiner



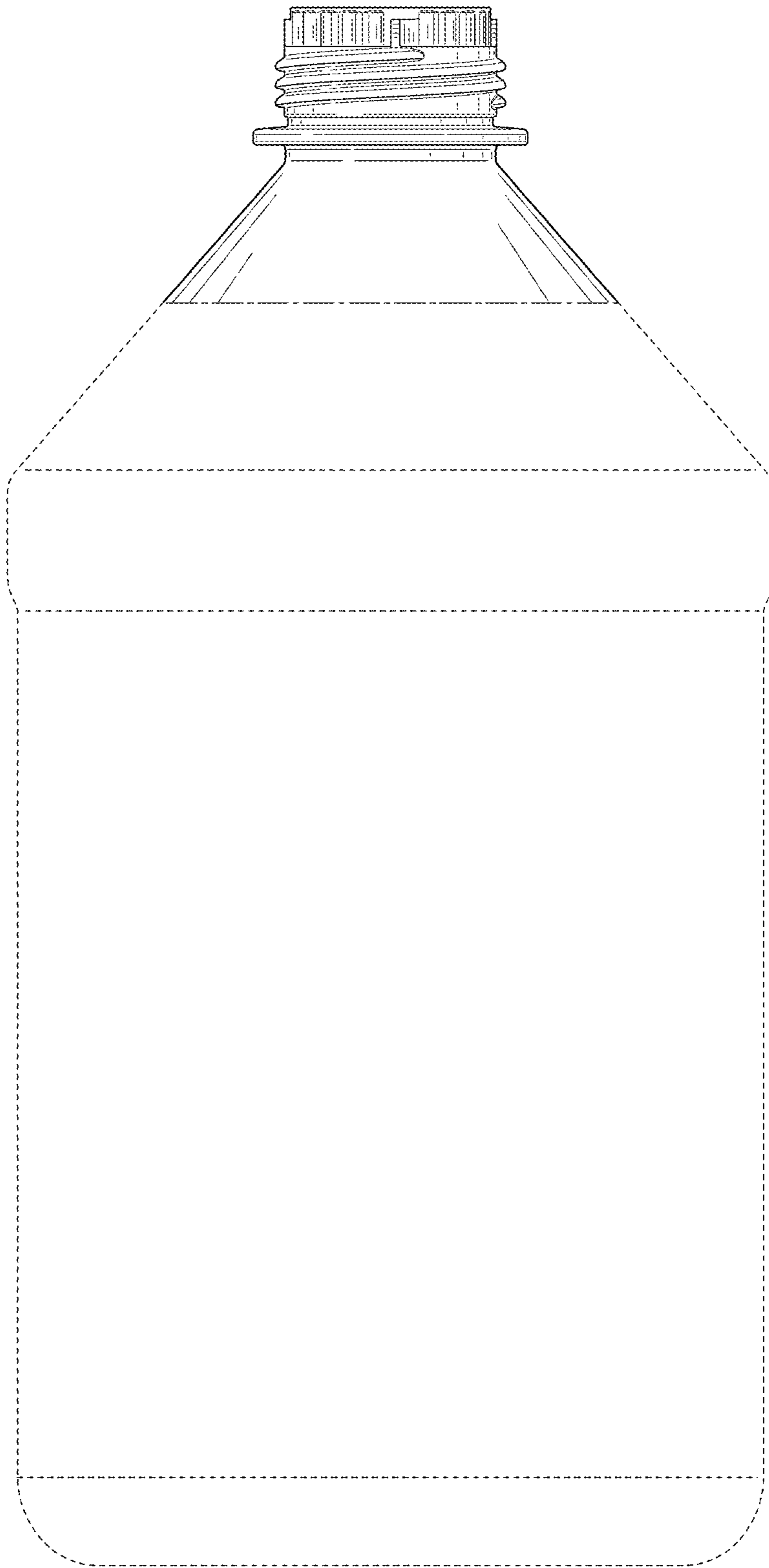
**FIG. 1**



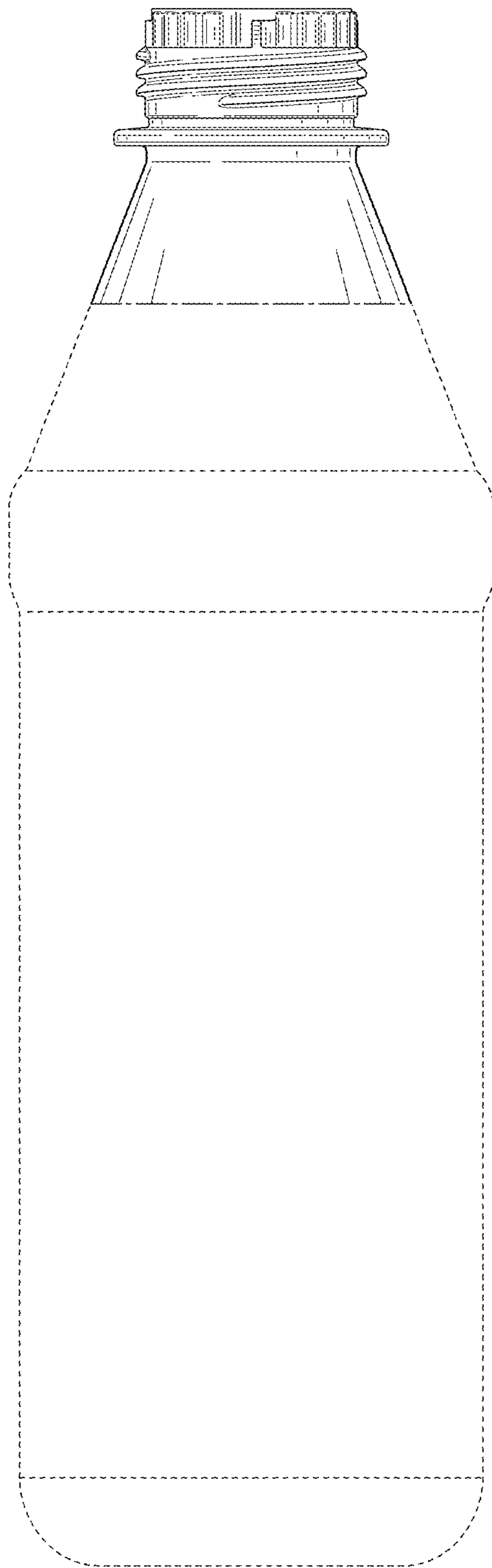
**FIG. 2**



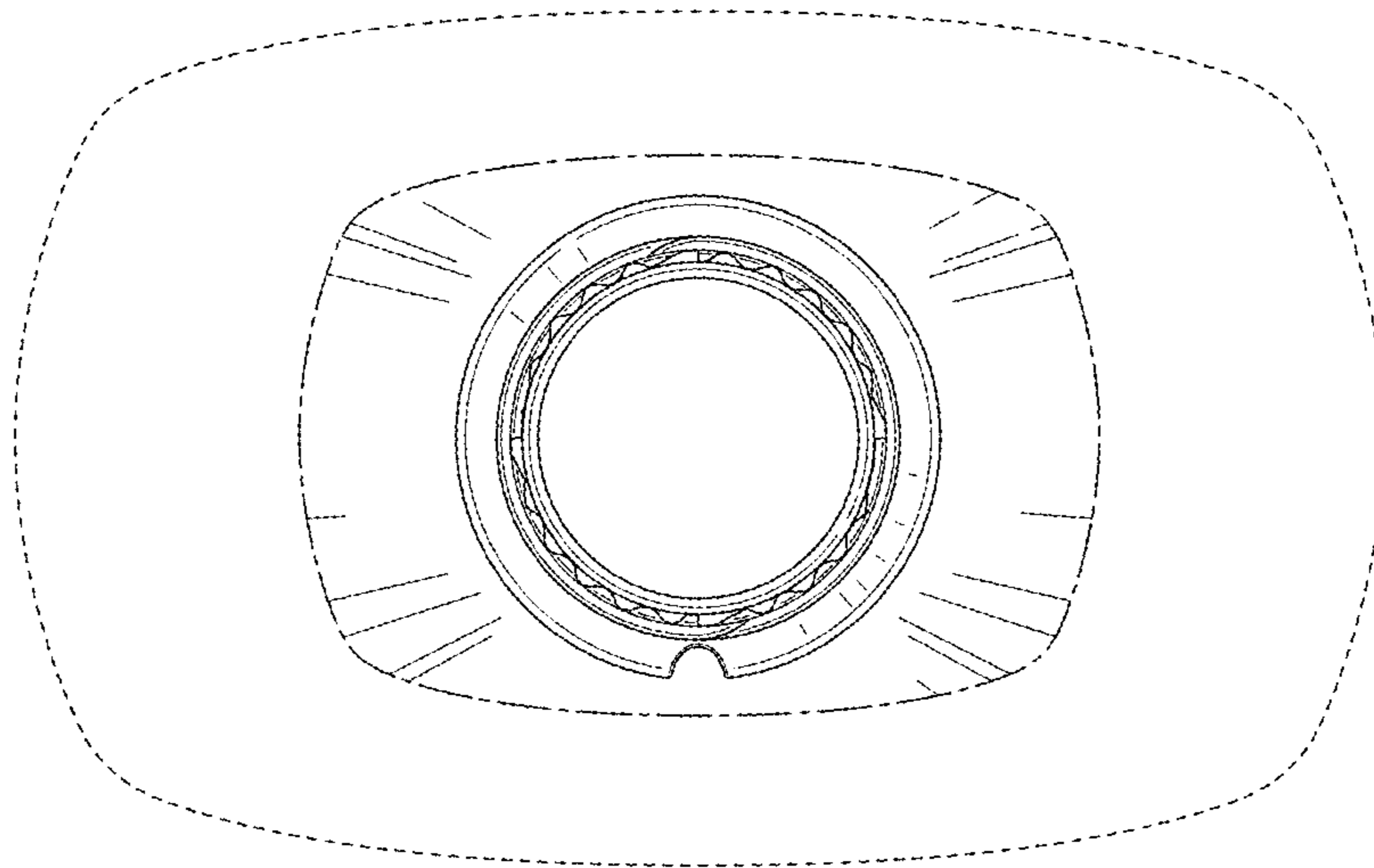
**FIG. 3**



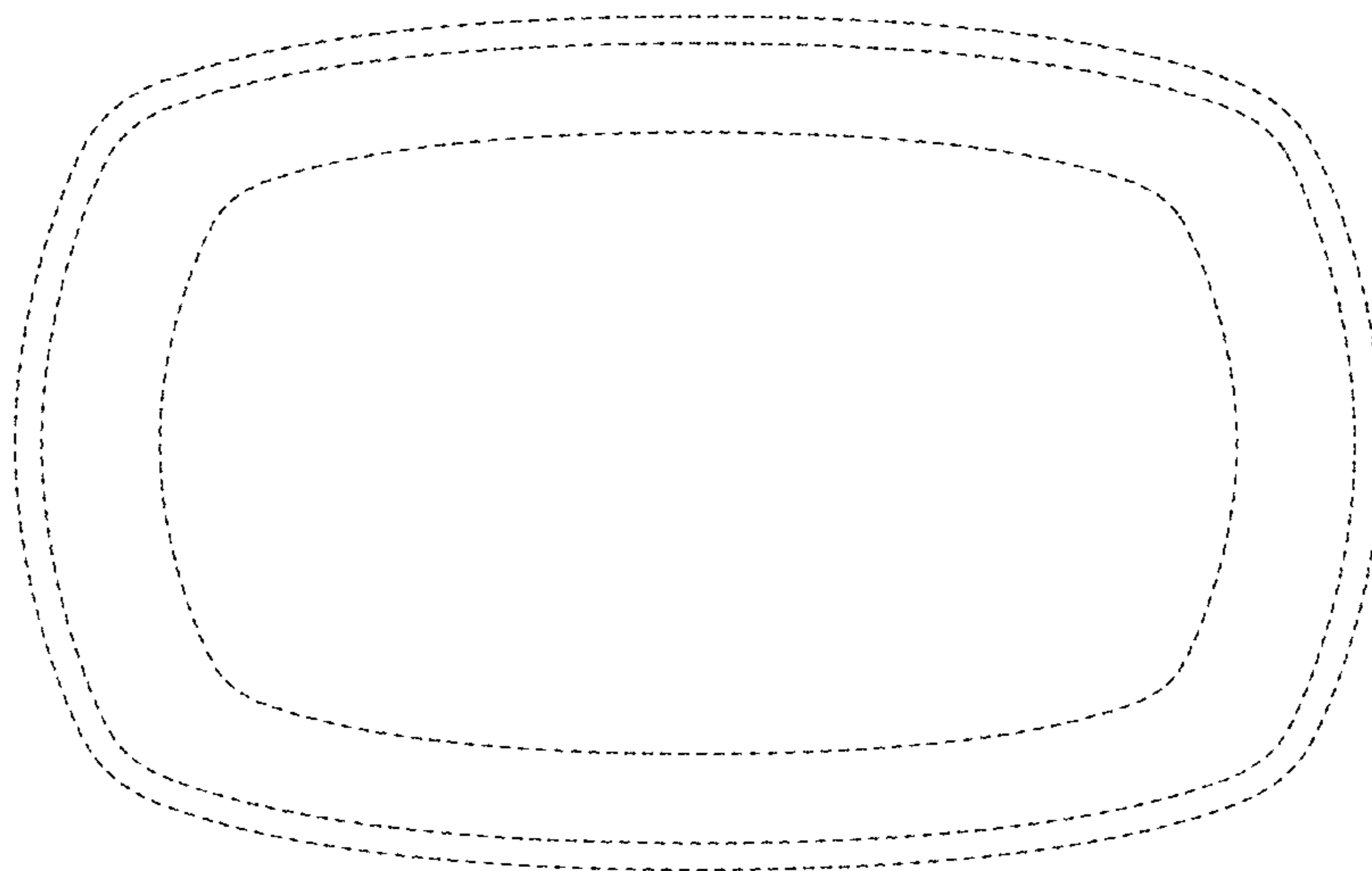
**FIG. 4**



**FIG. 5**



**FIG. 6**



**FIG. 7**