

US00D824261S

(12) **United States Design Patent**
Dabrowski

(10) **Patent No.:** **US D824,261 S**
(45) **Date of Patent:** **** Jul. 31, 2018**

- (54) **BOTTLE** 6,945,393 B2 * 9/2005 Cho B65D 51/24
206/219
- (71) Applicant: **Societe des Produits Nestlé S.A.,** 6,959,830 B1 * 11/2005 Kanou B65D 1/0223
Vevey (CH) 215/40
- (72) Inventor: **Nicolas Dabrowski, Vittel (FR)** D545,209 S * 6/2007 Batliner D9/500
D600,132 S * 9/2009 Delfino, Jr. D23/366
D619,458 S * 7/2010 Walsh D9/500
D731,856 S * 6/2015 Hill A47G 19/2266
D7/532
- (73) Assignee: **Société des Produits Nestlé S.A.,** D751,922 S * 3/2016 Ramsey D9/772
Vevey (CH)

(**) Term: **15 Years**

* cited by examiner

(21) Appl. No.: **29/593,537**

Primary Examiner — Derrick Edward Holland

(22) Filed: **Feb. 9, 2017**

Assistant Examiner — Janice Julia Patyk

(30) **Foreign Application Priority Data**

(74) *Attorney, Agent, or Firm* — Finnegan, Henderson,
Farabow, Garrett & Dunner LLP

Sep. 2, 2016 (CH) 142566

(51) **LOC (11) Cl.** **09-01**

(57) **CLAIM**

(52) **U.S. Cl.**

The ornamental design for a bottle, as shown and described.

USPC **D9/537; D9/563; D9/530**

(58) **Field of Classification Search**

DESCRIPTION

USPC D9/522, 530, 531, 543, 549, 558, 564,
D9/565, 569, 572, 573; 215/40, 44, 200,
215/381–384, 396; 220/288, 662, 669,
220/675, 752, 755, 771; 222/189, 209;
426/115

FIG. 1 is a top, right perspective view of a bottle showing my new design.

CPC B65D 1/02; B65D 1/0223; B65D 1/0246;
B65D 5/46; B65D 41/00; B65D 41/02;
B65D 41/04; B65D 2501/00; B65D
2501/0009

FIG. 2 is a front elevation view thereof;

FIG. 3 is a rear elevation view thereof;

FIG. 4 is a right side view thereof;

FIG. 5 is a left side view thereof;

FIG. 6 is a top plan view thereof; and,

FIG. 7 is a bottom plan view thereof.

See application file for complete search history.

The broken lines in the figures illustrate the portions of the design that form no part of the claimed design.

The dot-dash broken lines immediately adjacent to the claimed areas in the views represent the boundaries of the design and form no part thereof.

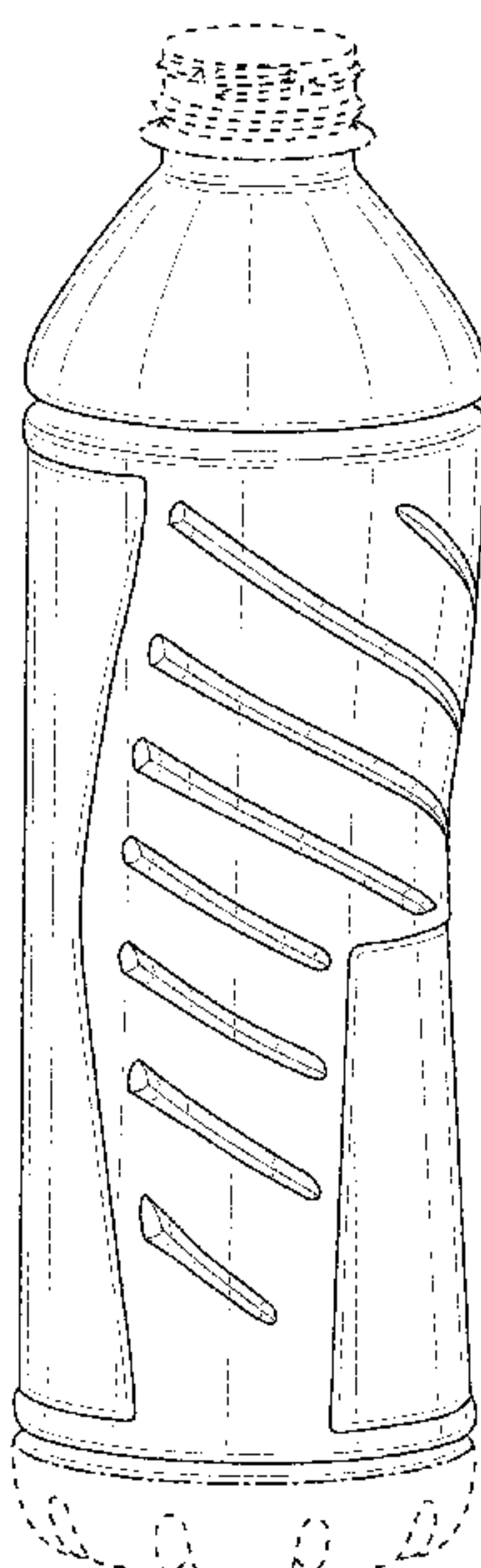
(56) **References Cited**

U.S. PATENT DOCUMENTS

1 Claim, 7 Drawing Sheets

D332,919 S * 2/1993 Turnbull D9/500

D375,559 S * 11/1996 Baxter D24/224



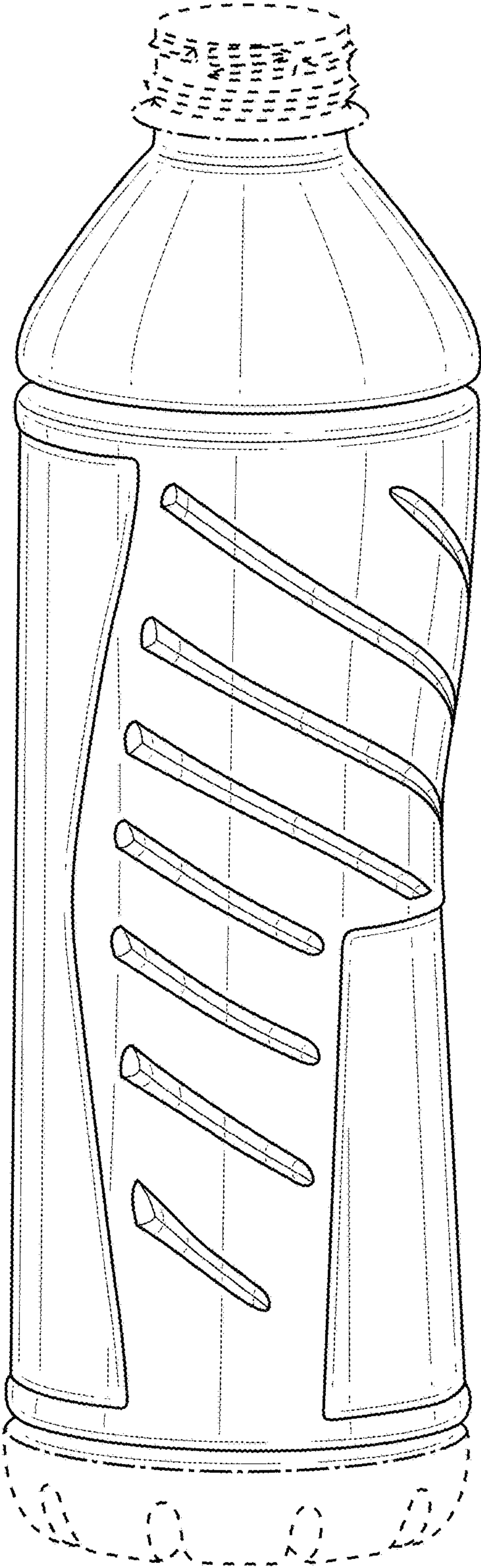


FIG. 1

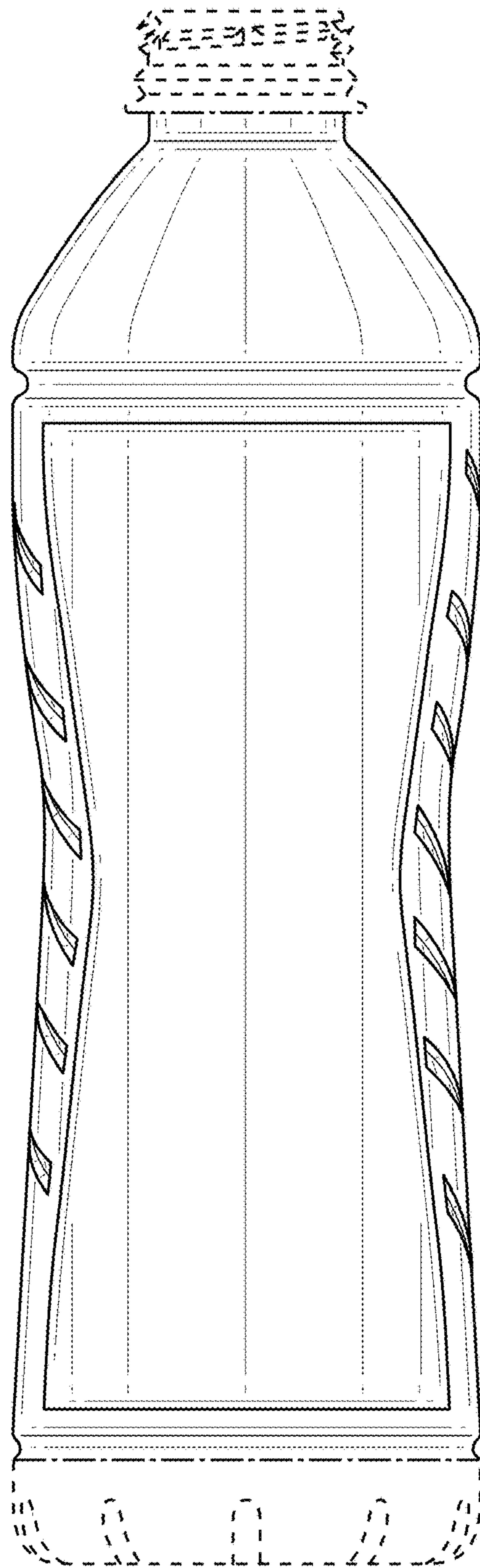


FIG. 2

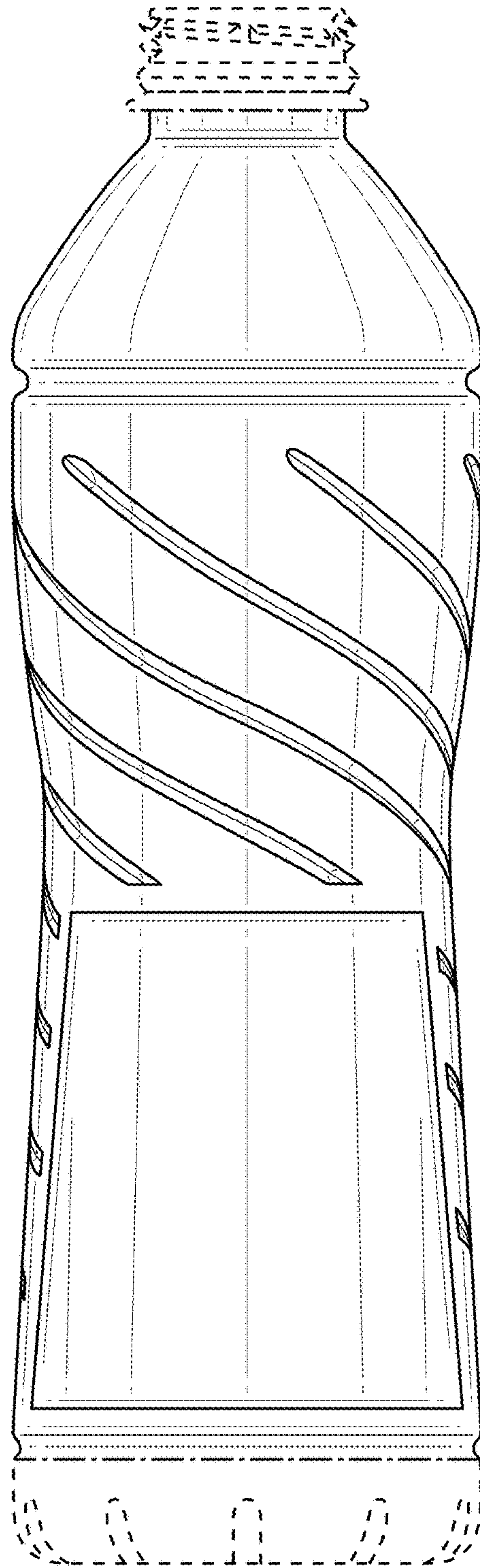


FIG. 3

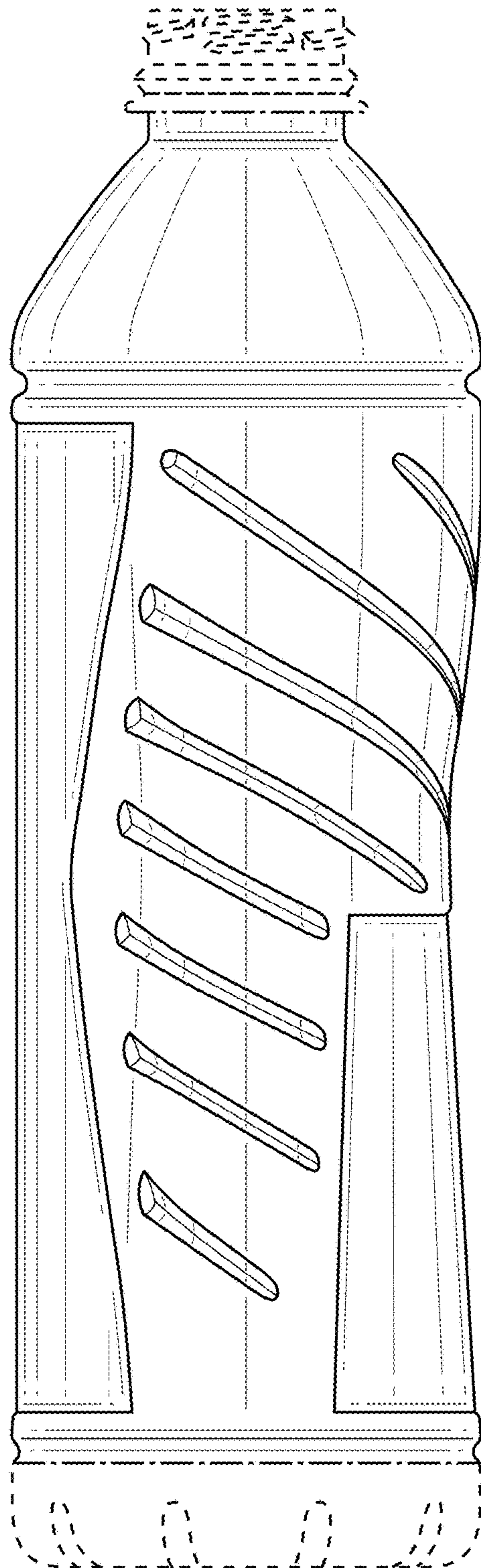


FIG. 4

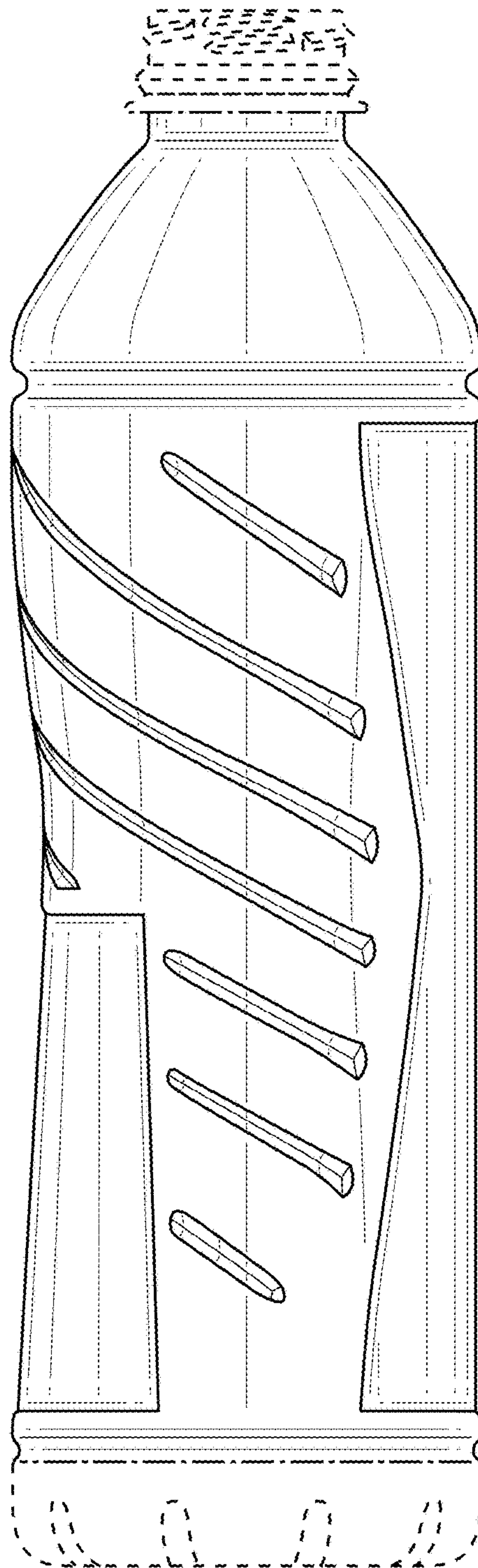


FIG. 5

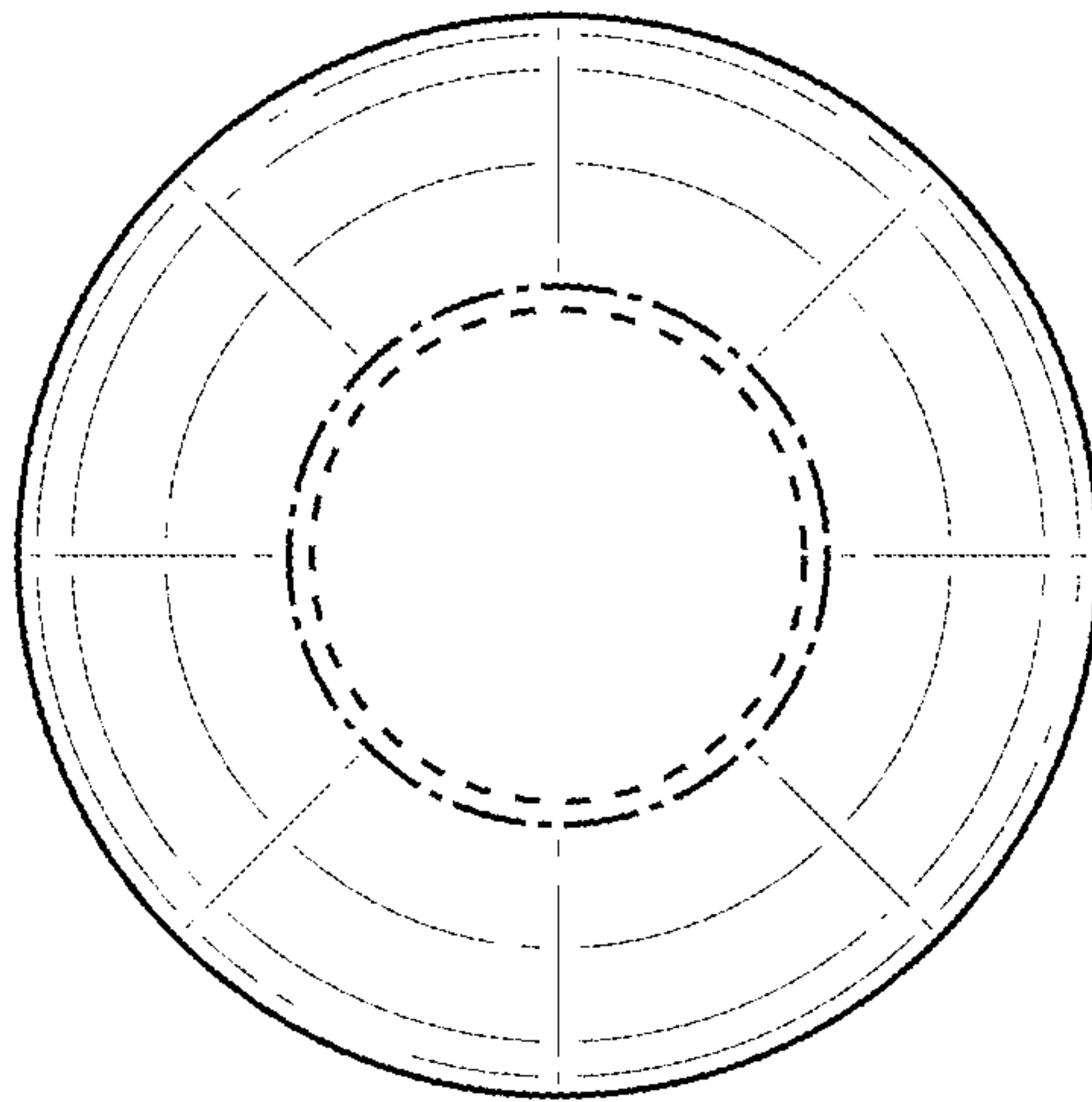


FIG. 6

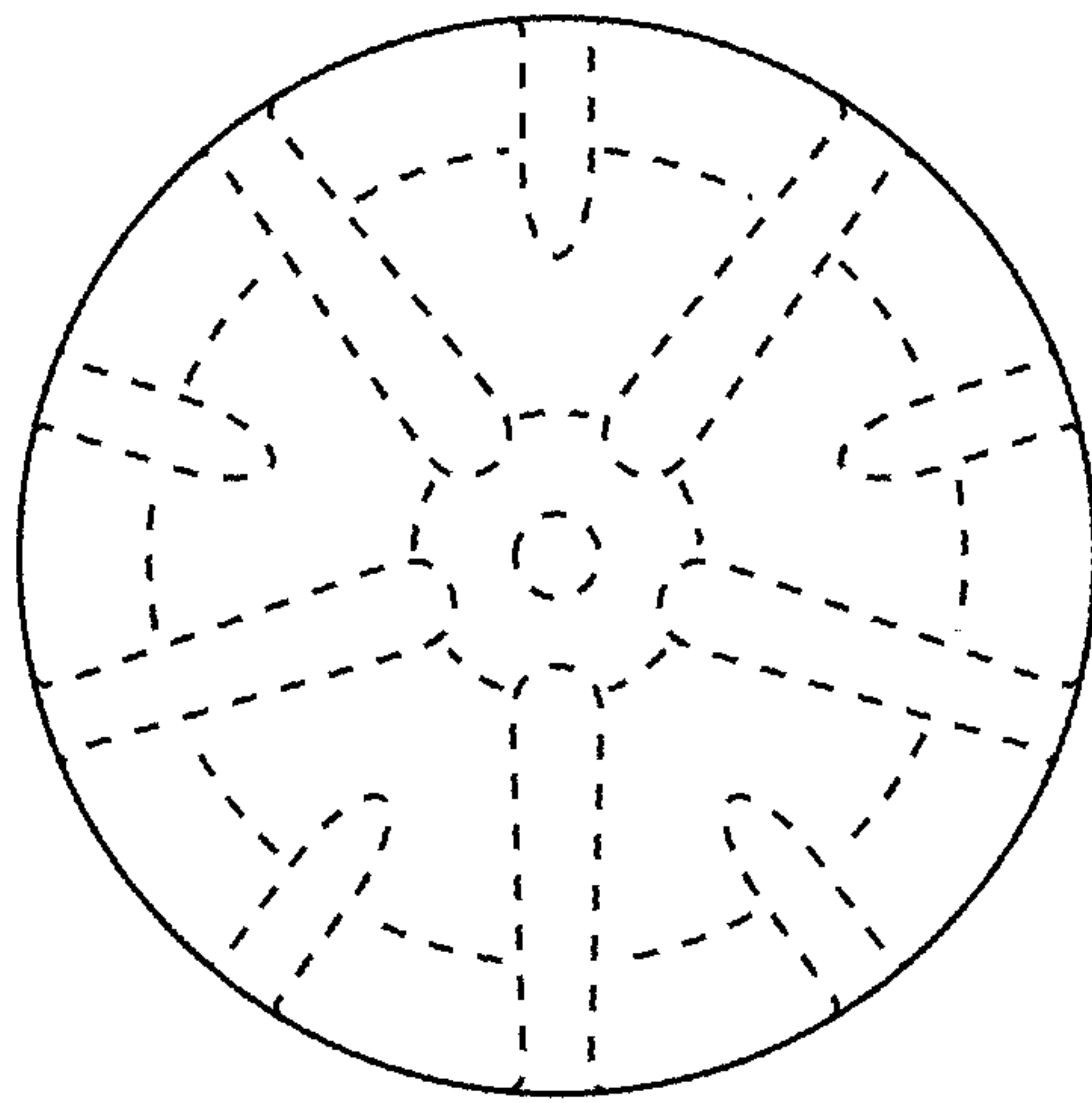


FIG. 7